



US00D640972S

(12) **United States Design Patent**
Fiero

(10) **Patent No.:** **US D640,972 S**
(45) **Date of Patent:** **** Jul. 5, 2011**

(54) **SOLAR MODULE RACK**

(76) Inventor: **Bruce Fiero**, Medford, OR (US)

(**) Term: **14 Years**

(21) Appl. No.: **29/380,110**

(22) Filed: **Nov. 30, 2010**

(51) **LOC (9) Cl.** **13-02**

(52) **U.S. Cl.** **D13/102**

(58) **Field of Classification Search** D13/102,
D13/101, 107, 184, 199; 52/173.3; 126/573,
126/580, 606; 136/206, 244-251, 256, 291,
136/292

See application file for complete search history.

(56) **References Cited**

U.S. PATENT DOCUMENTS

4,429,178	A *	1/1984	Prideaux et al.	136/246
5,228,924	A *	7/1993	Barker et al.	136/246
6,563,040	B2 *	5/2003	Hayden et al.	136/244
D505,113	S *	5/2005	Lam	D13/107
D562,225	S *	2/2008	Almy et al.	D13/102
D565,505	S *	4/2008	Shugar et al.	D13/102
2008/0308091	A1 *	12/2008	Corio	126/606

* cited by examiner

Primary Examiner — Stella Reid

Assistant Examiner — Derrick Holland

(74) *Attorney, Agent, or Firm* — Jerry Haynes Law

(57) **CLAIM**

The ornamental design for a solar module rack, as shown and described.

DESCRIPTION

FIG. 1 is a front perspective view of a solar module rack showing my new design;

FIG. 2 is a front view thereof;

FIG. 3 is a back view thereof;

FIG. 4 is a left side view thereof;

FIG. 5 is a right side view thereof;

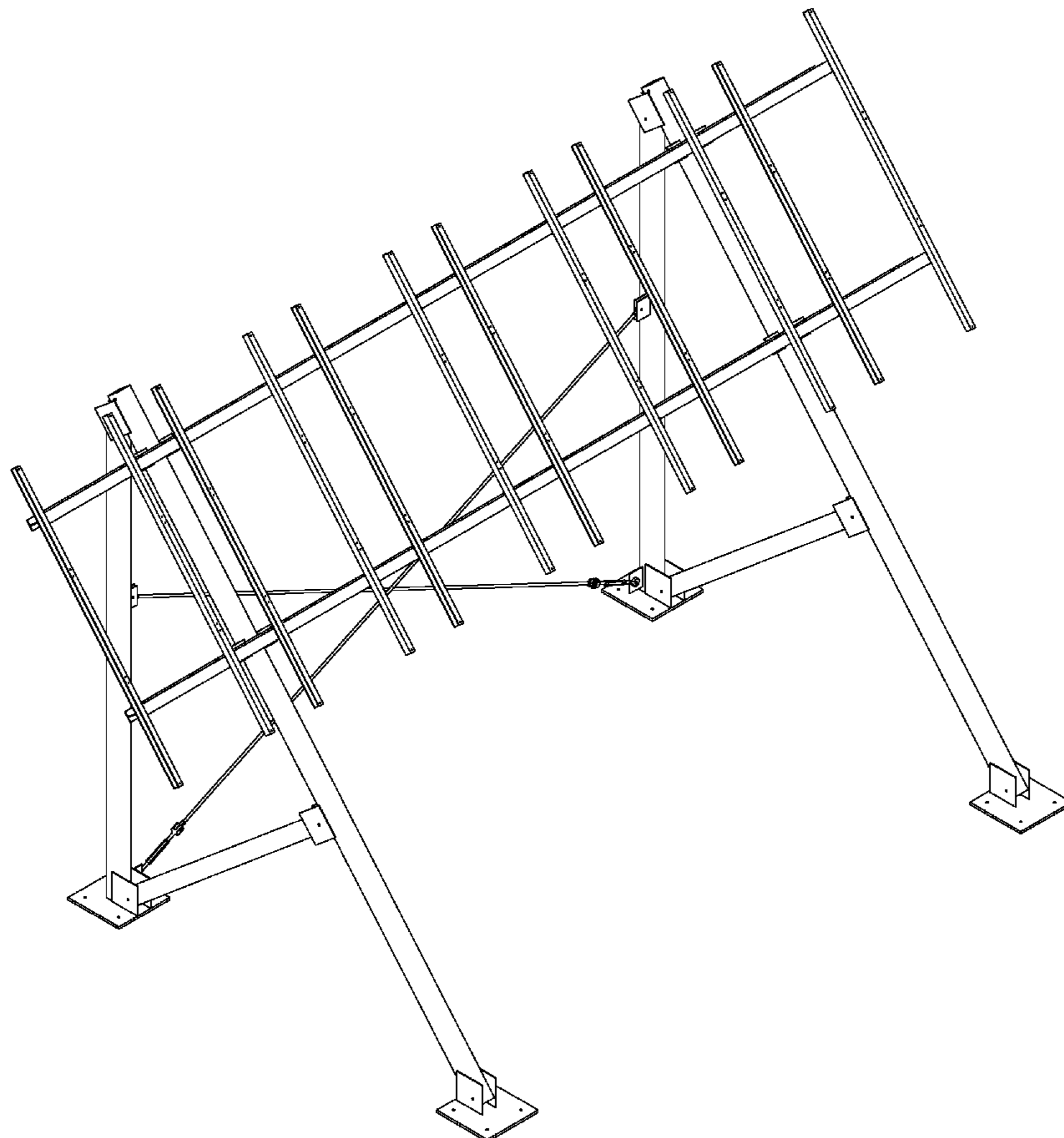
FIG. 6 is a top view thereof;

FIG. 7 is a bottom view thereof; and,

FIG. 8 is a reduced front perspective view shown in environmental use.

The broken lines shown represent unclaimed subject matter and form no part of the claimed design.

1 Claim, 8 Drawing Sheets



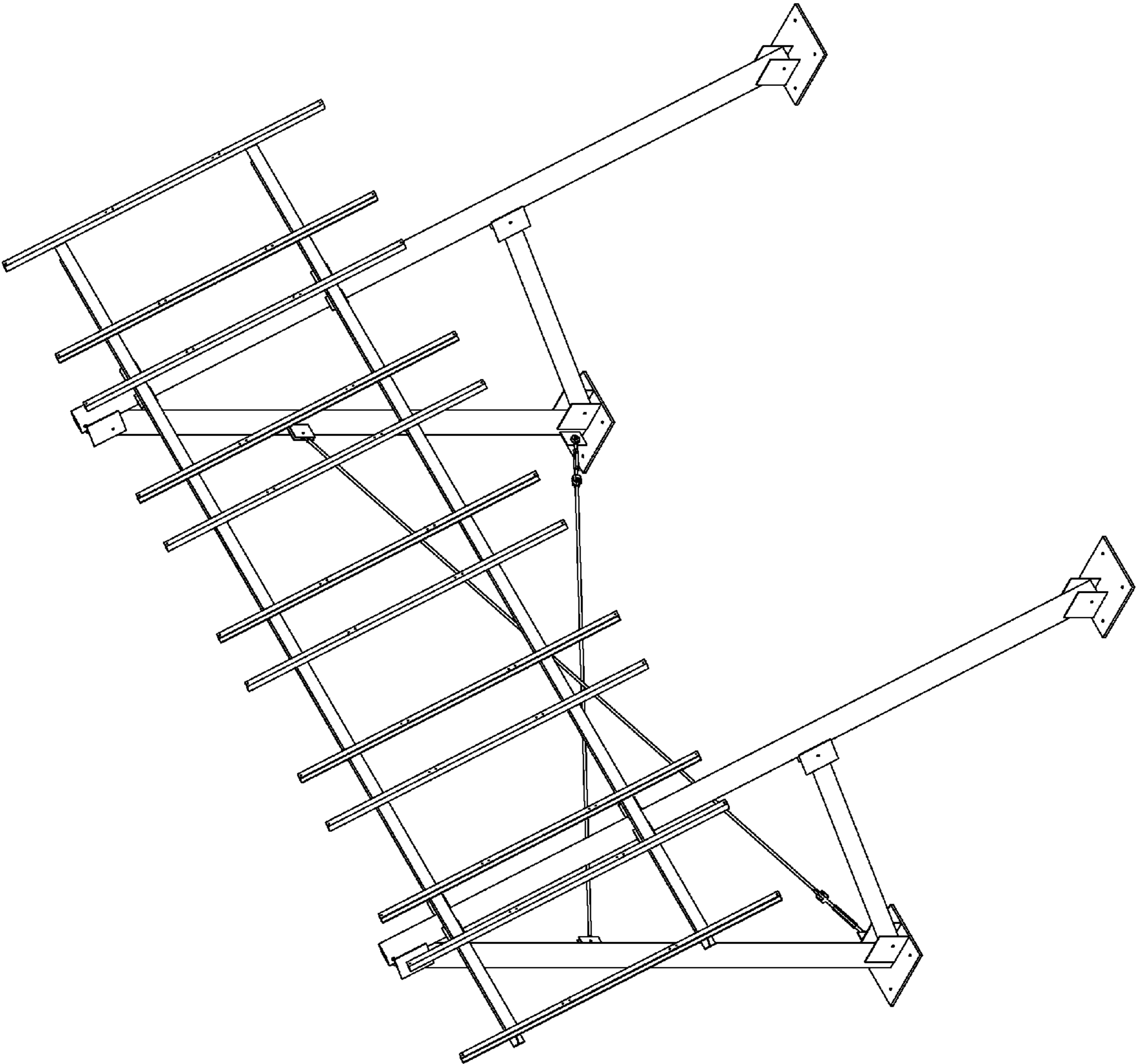


FIG. 1

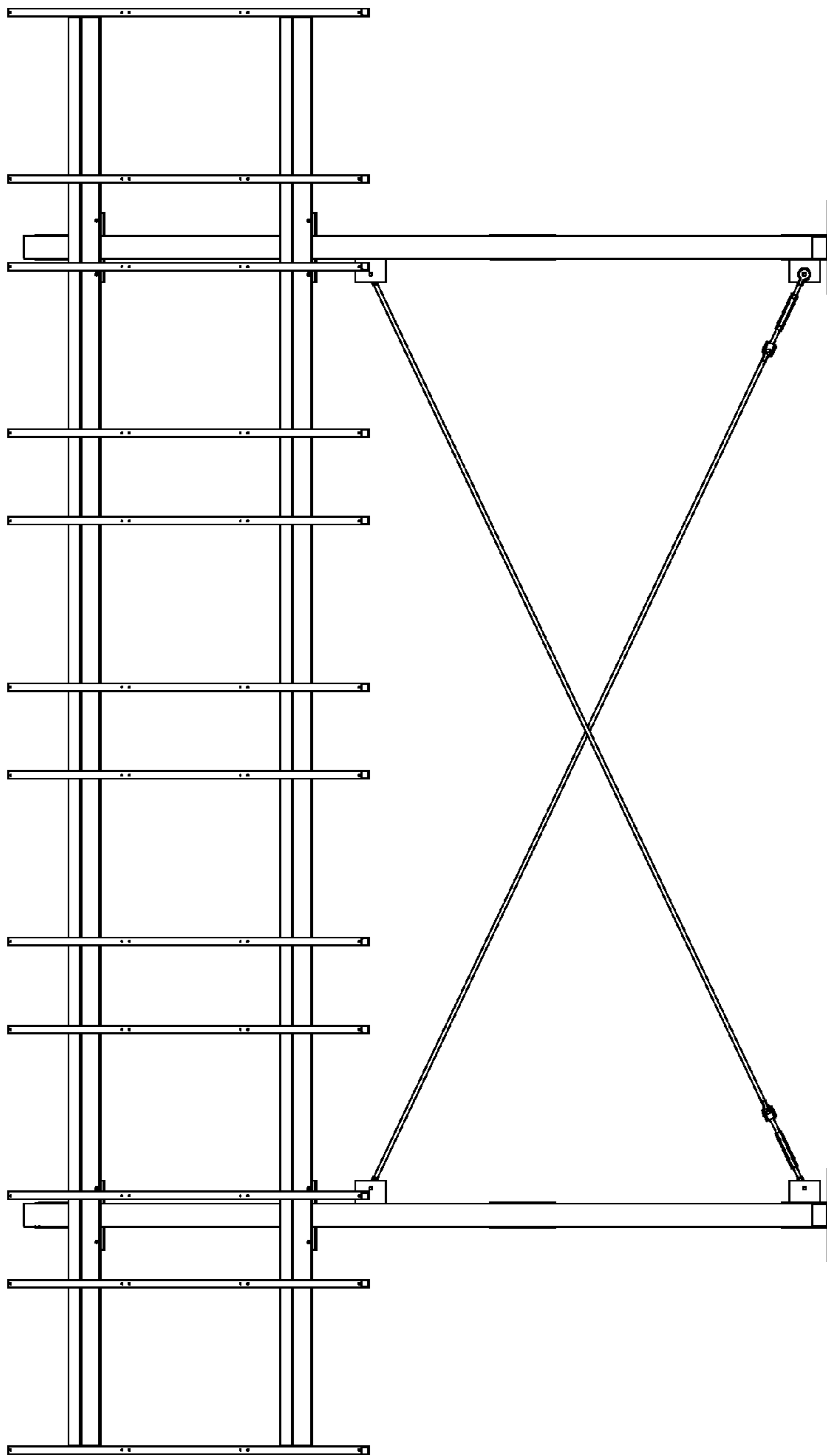


FIG. 2

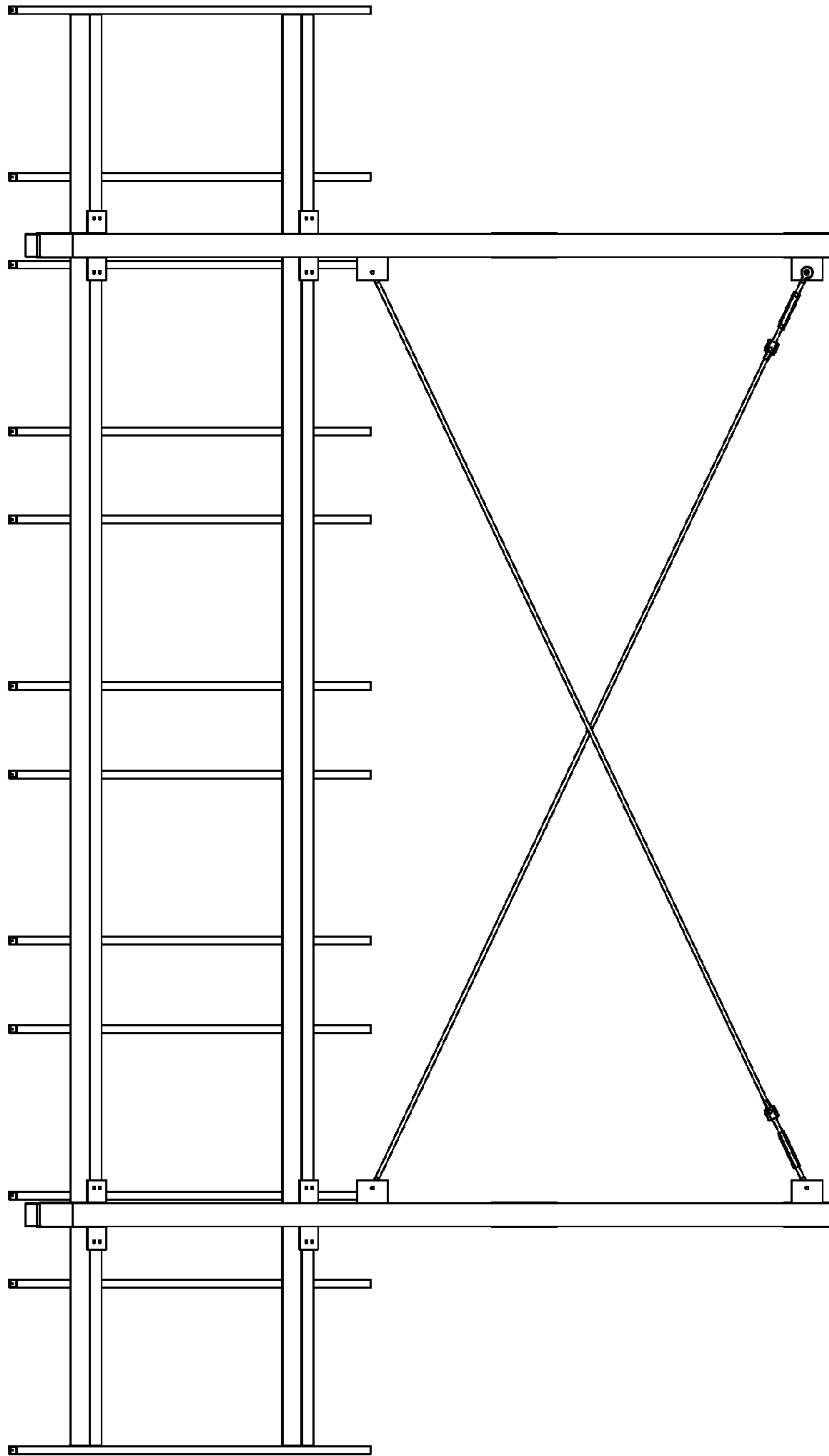


FIG. 3

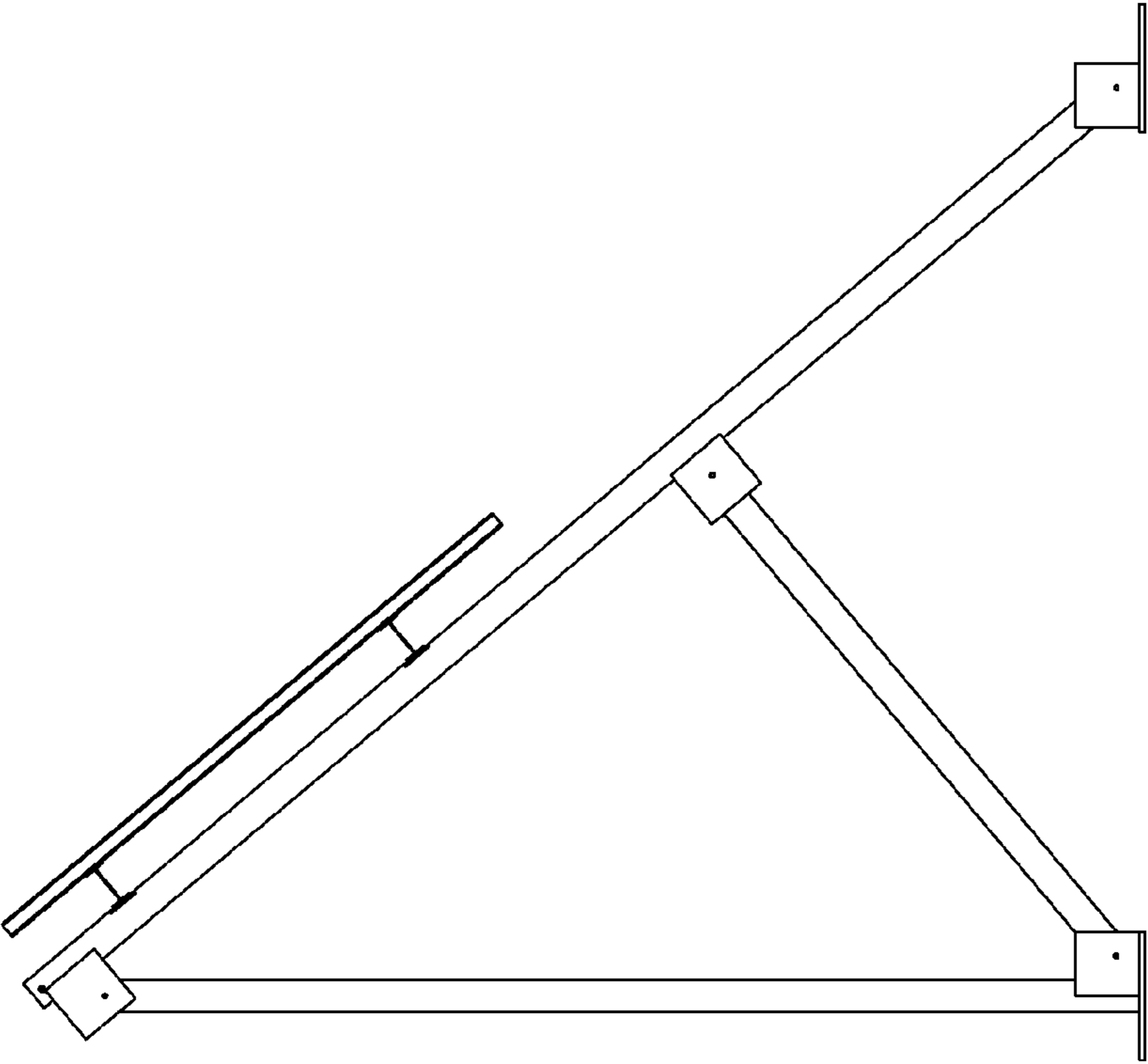


FIG. 4

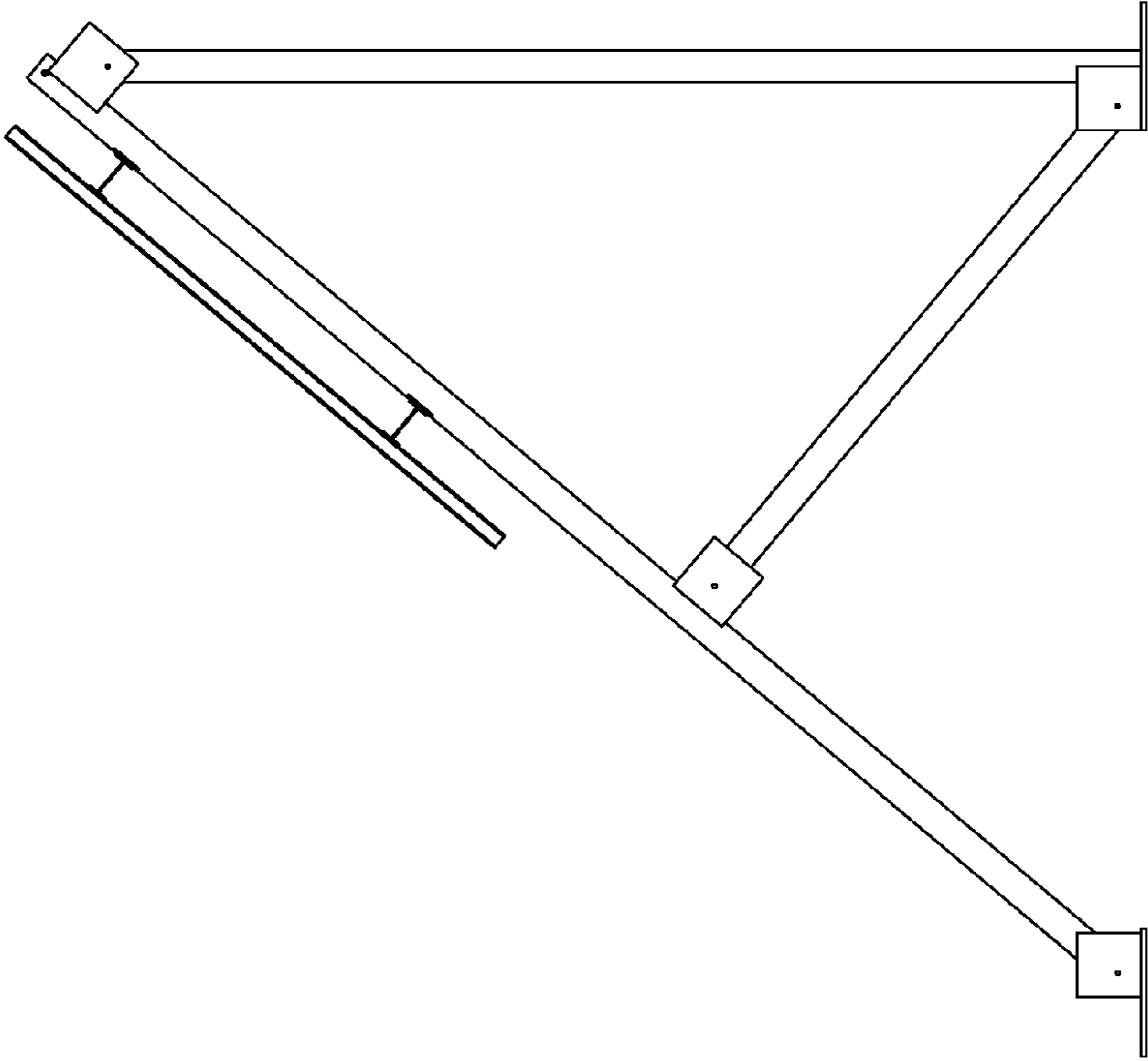


FIG. 5

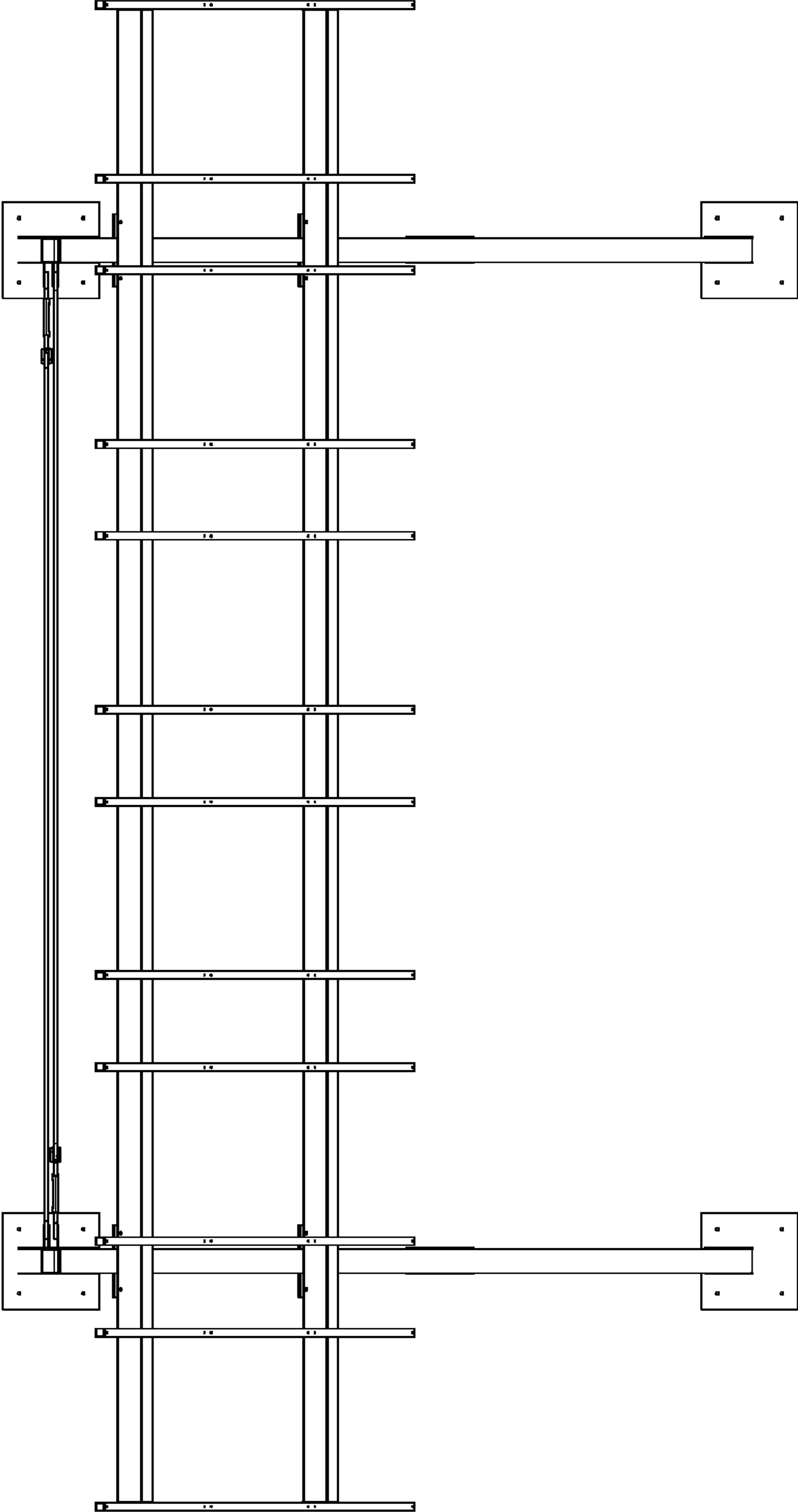


FIG. 6

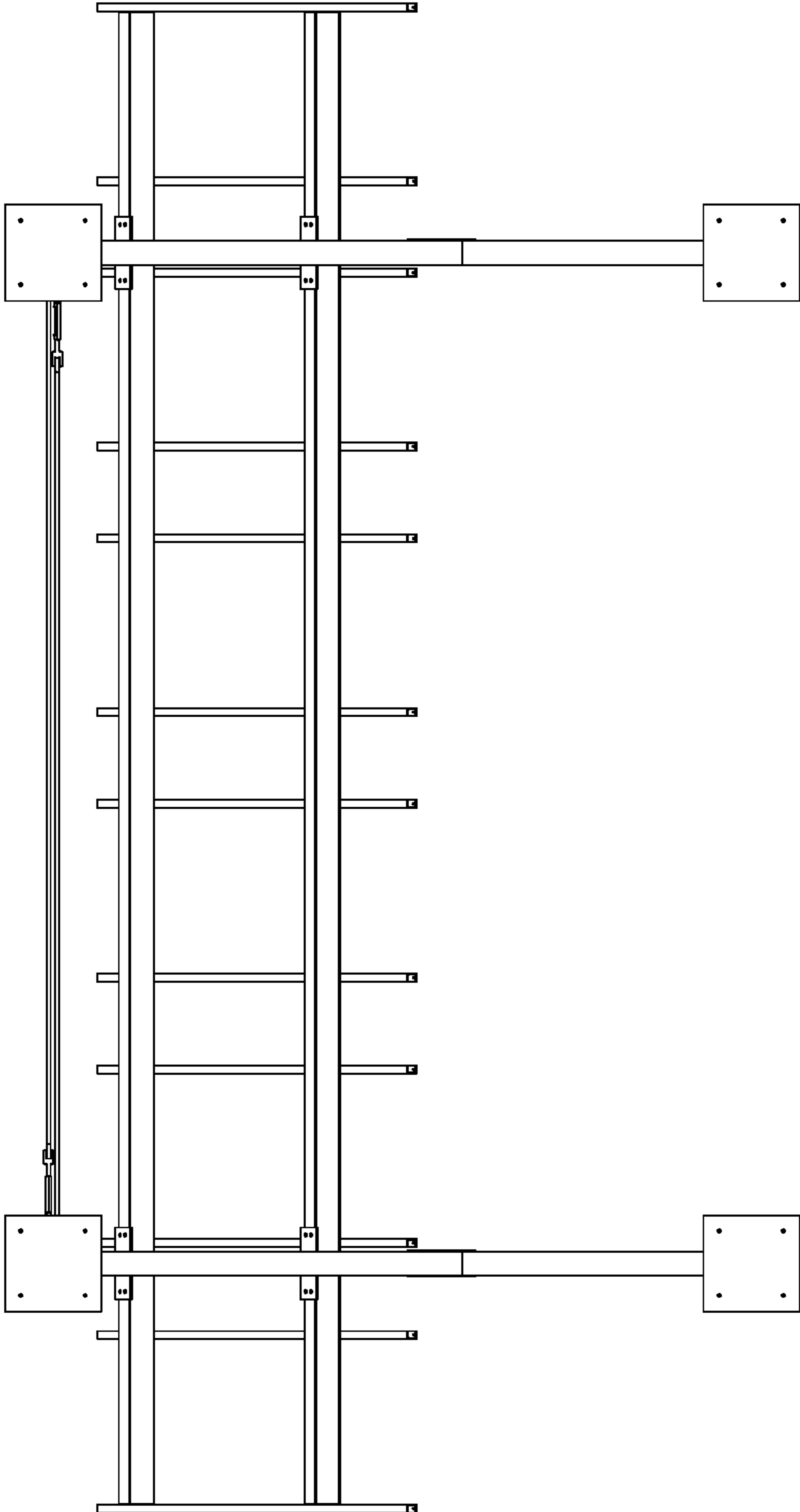


FIG. 7

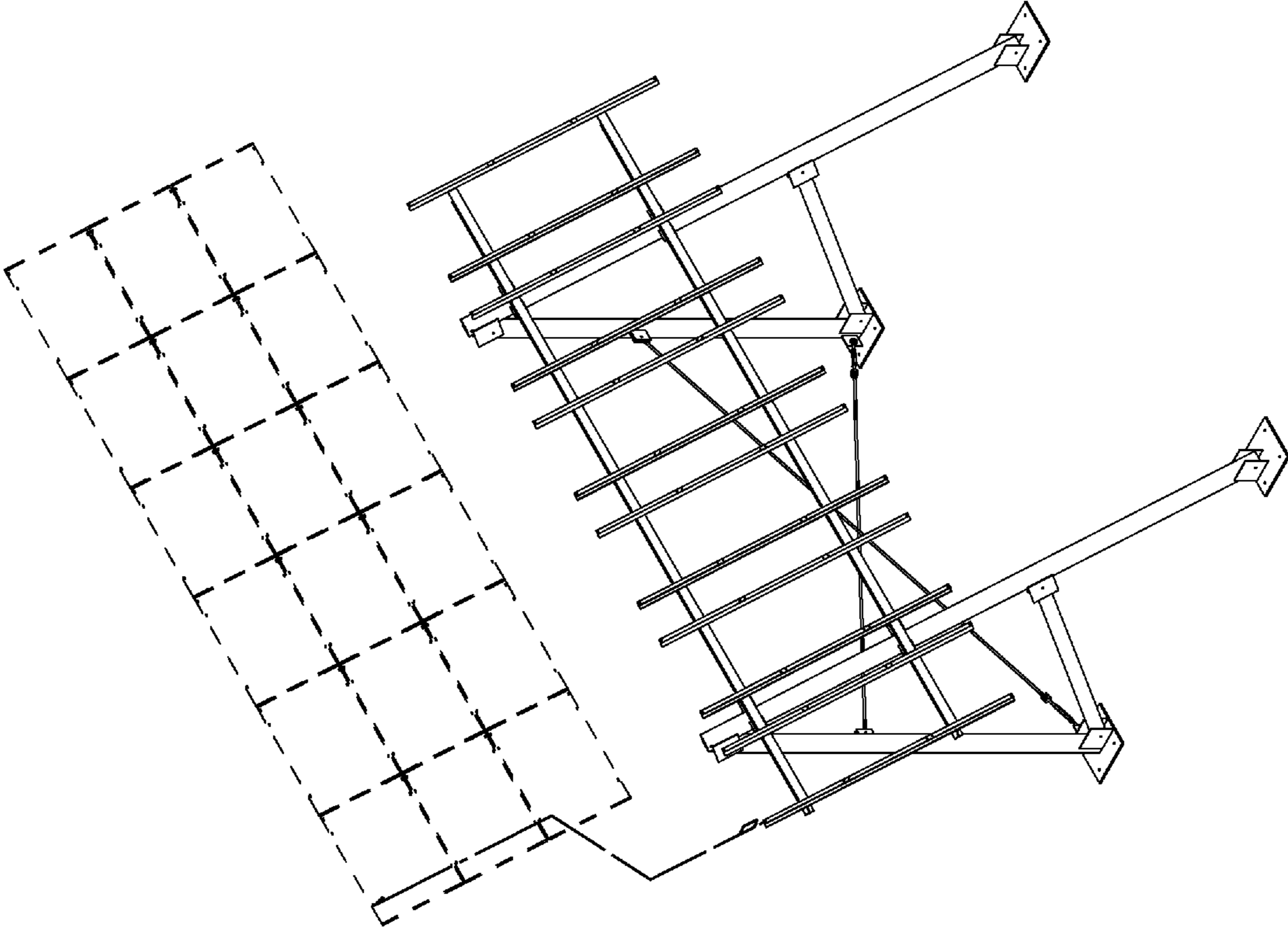


FIG. 8