



US00D640971S

(12) **United States Design Patent**
Taylor et al.

(10) **Patent No.:** **US D640,971 S**
(45) **Date of Patent:** **** Jul. 5, 2011**

(54) **VCSEL ARRAY AND MOUNTING SUPPORT**

(75) Inventors: **James Taylor**, Albuquerque, NM (US);
Brian Desnoyer, Edgewood, NM (US);
Jiayi Kan, San Jose, CA (US)

(73) Assignee: **Emcore Corporation**, Albuquerque, NM (US)

(**) Term: **14 Years**

(21) Appl. No.: **29/380,919**

(22) Filed: **Dec. 13, 2010**

(51) **LOC (9) Cl.** **13-02**

(52) **U.S. Cl.** **D13/101**

(58) **Field of Classification Search** D13/101,
D13/102, 110, 118, 121, 164, 165, 179, 199;
D14/433, 453; D15/199; D24/107, 184,
D24/187; 362/551, 553, 554, 572; 385/19,
385/33, 78, 88, 89, 92, 93, 94; 398/138,
398/141, 156

See application file for complete search history.

(56) **References Cited**

U.S. PATENT DOCUMENTS

D286,280 S * 10/1986 Holtman et al. D13/101
D299,714 S * 2/1989 Colker et al. D13/101
6,056,448 A * 5/2000 Sauter et al. 385/92

D439,216 S * 3/2001 Hanchett D13/101
D470,816 S * 2/2003 Thackray et al. D13/101
6,736,553 B1 * 5/2004 Stiehl et al. 385/89
7,300,216 B2 * 11/2007 Morse et al. 385/92
7,441,965 B2 * 10/2008 Furuno et al. 385/93

* cited by examiner

Primary Examiner — Stella Reid

Assistant Examiner — Derrick Holland

(57) **CLAIM**

The ornamental design for a VCSEL array and mounting support, as shown and described.

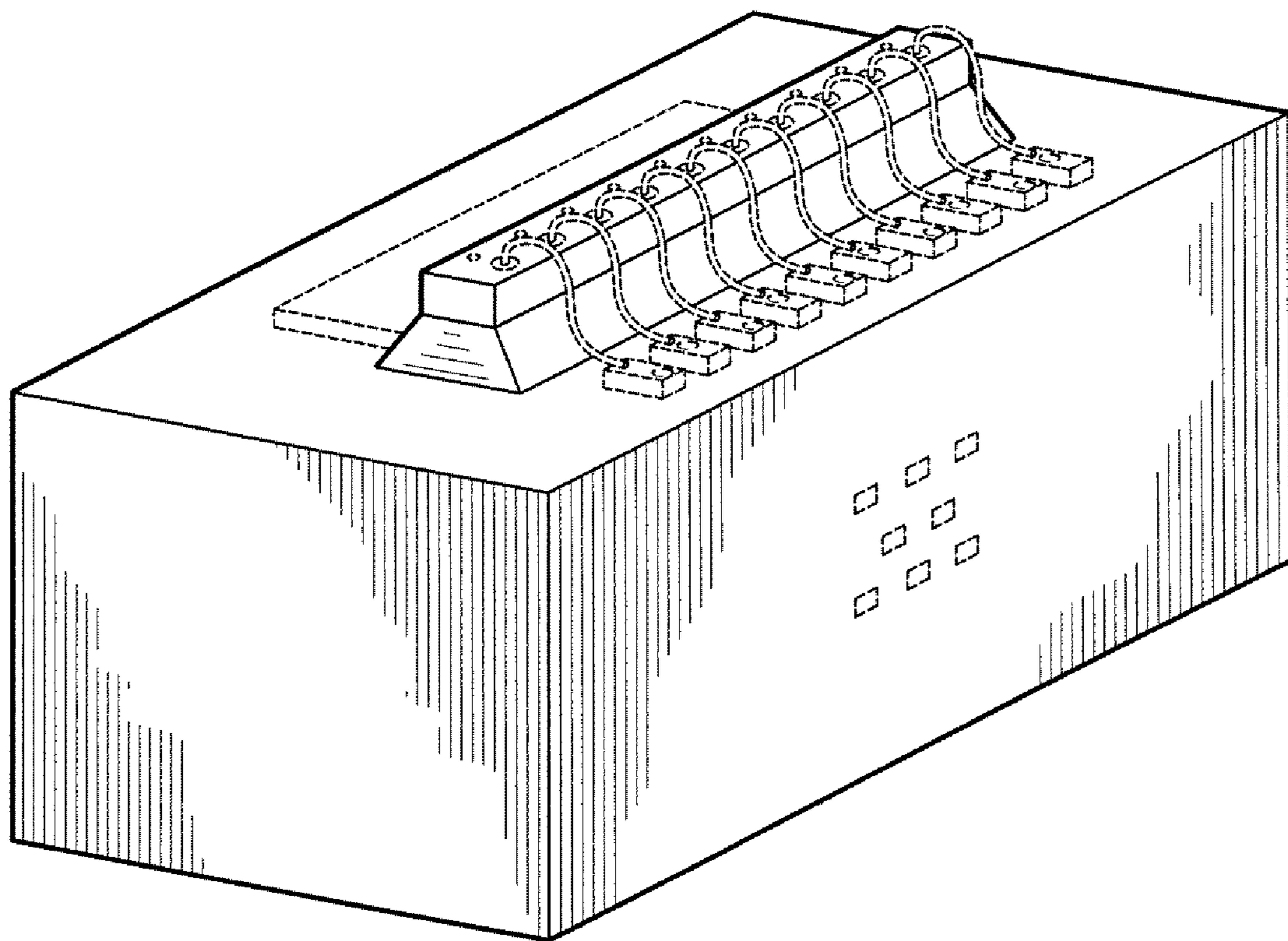
DESCRIPTION

FIG. 1 is a top perspective view of a VCSEL array and mounting support showing our new design; FIG. 2 is a right side elevation view thereof; FIG. 3 is a left side elevation view thereof; FIG. 4 is a top plan view thereof; FIG. 5 is an environmental fragmentary view taken from FIG. 4;

FIG. 6 is a bottom plan view of FIG. 1; FIG. 7 is a front elevation view thereof; and, FIG. 8 is a rear elevation view thereof.

The broken lines shown represent unclaimed subject matter and form no part of the claimed design.

1 Claim, 2 Drawing Sheets



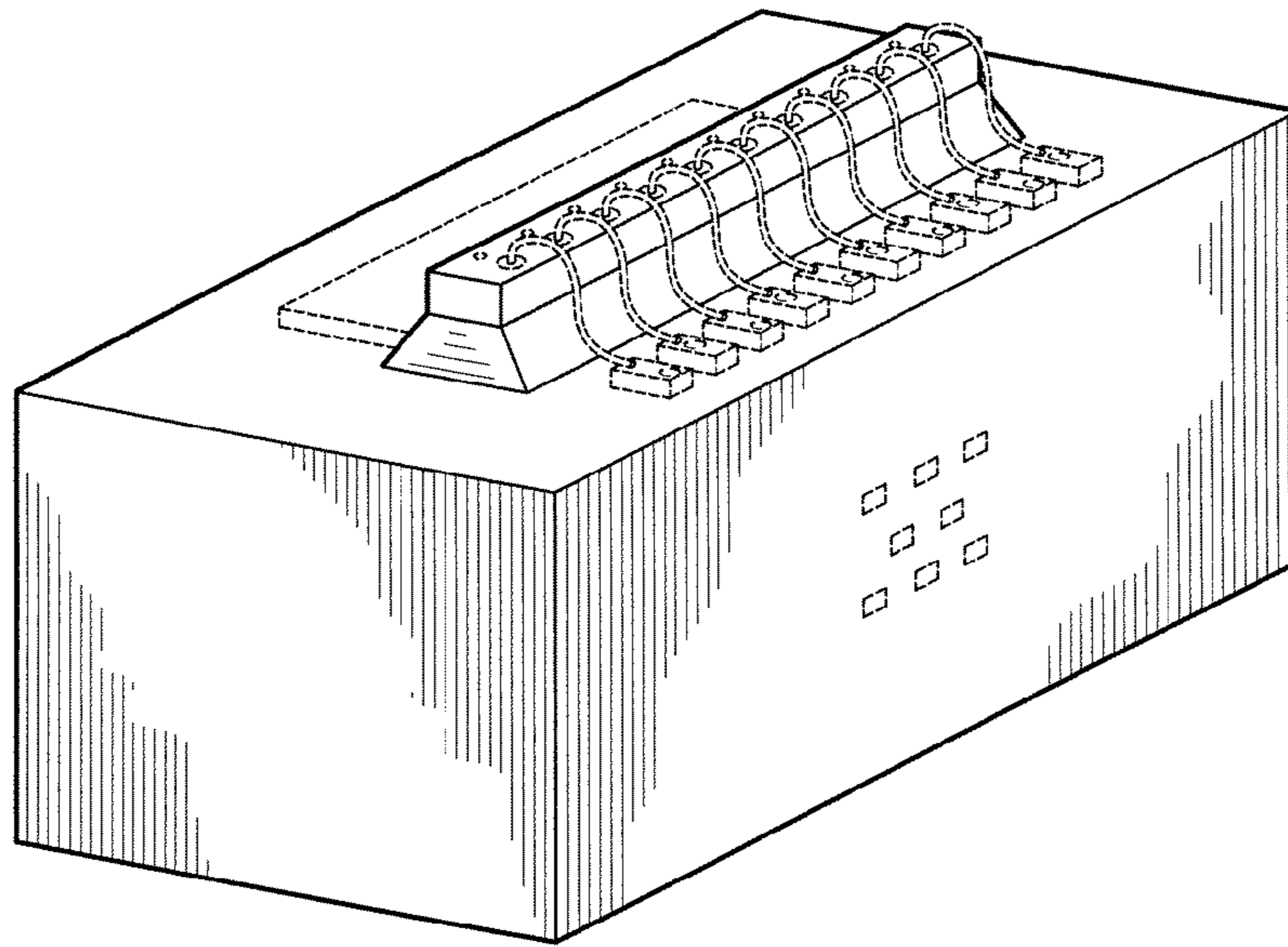


FIG. 1

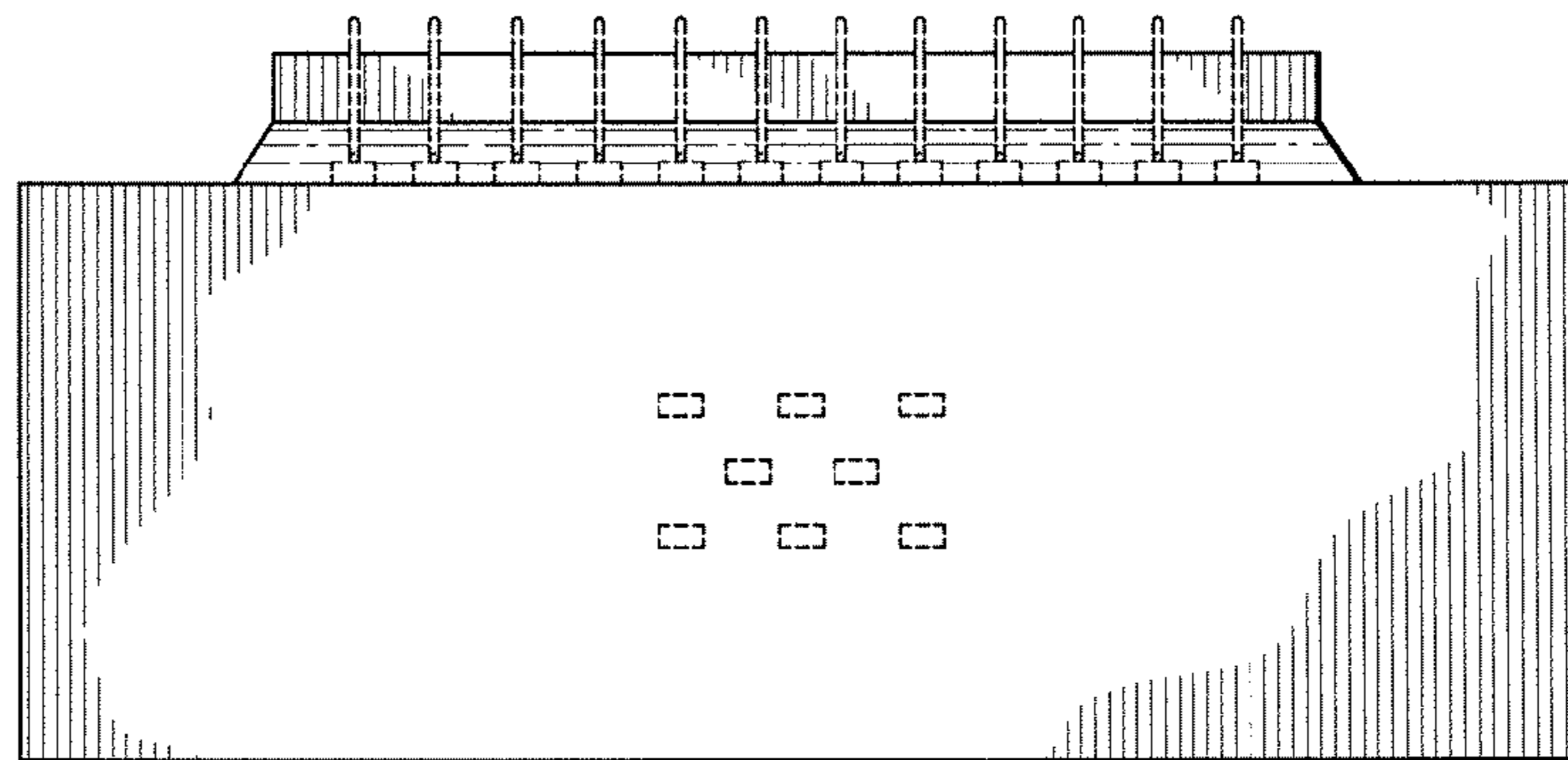


FIG. 2

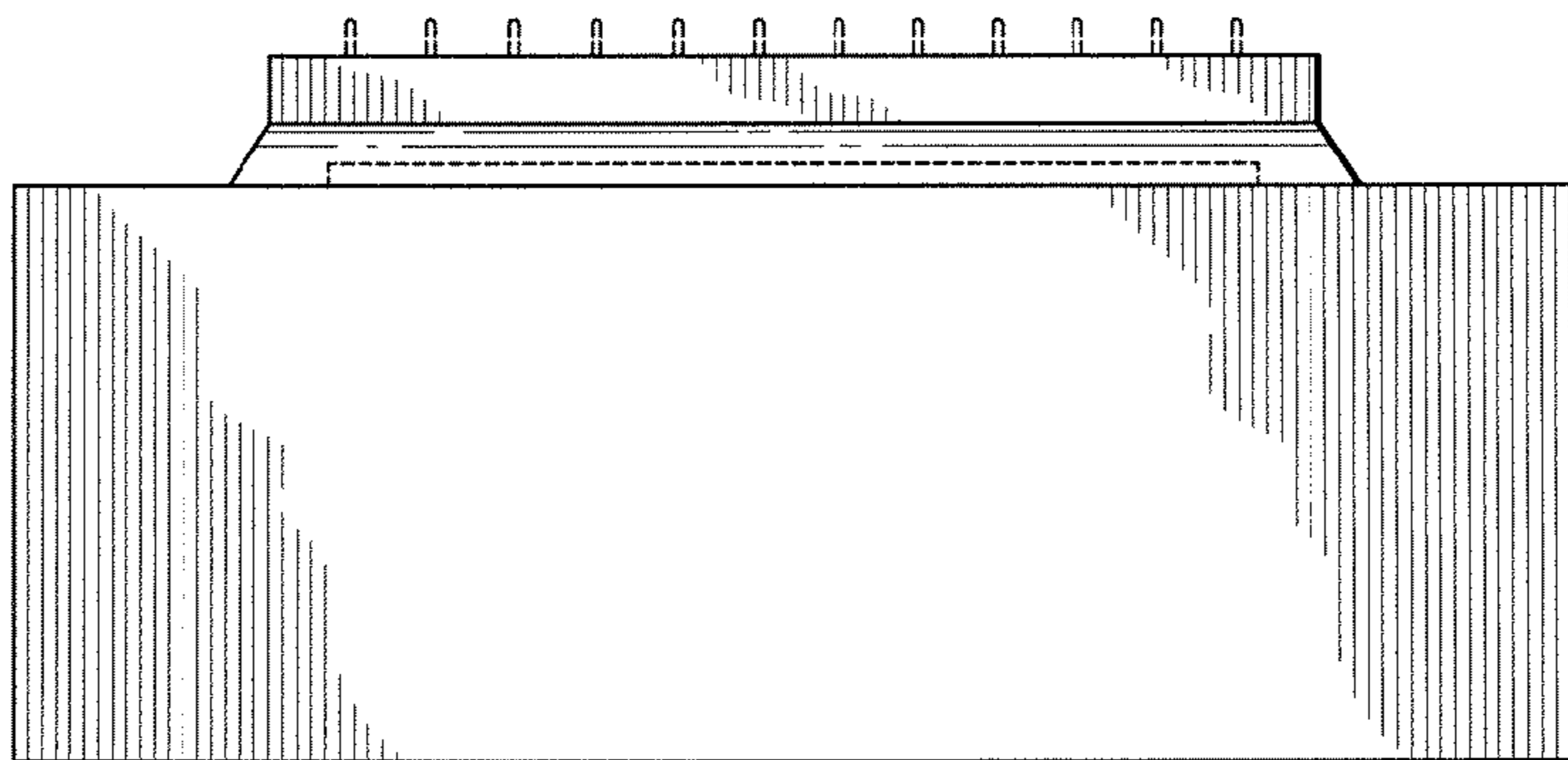


FIG. 3

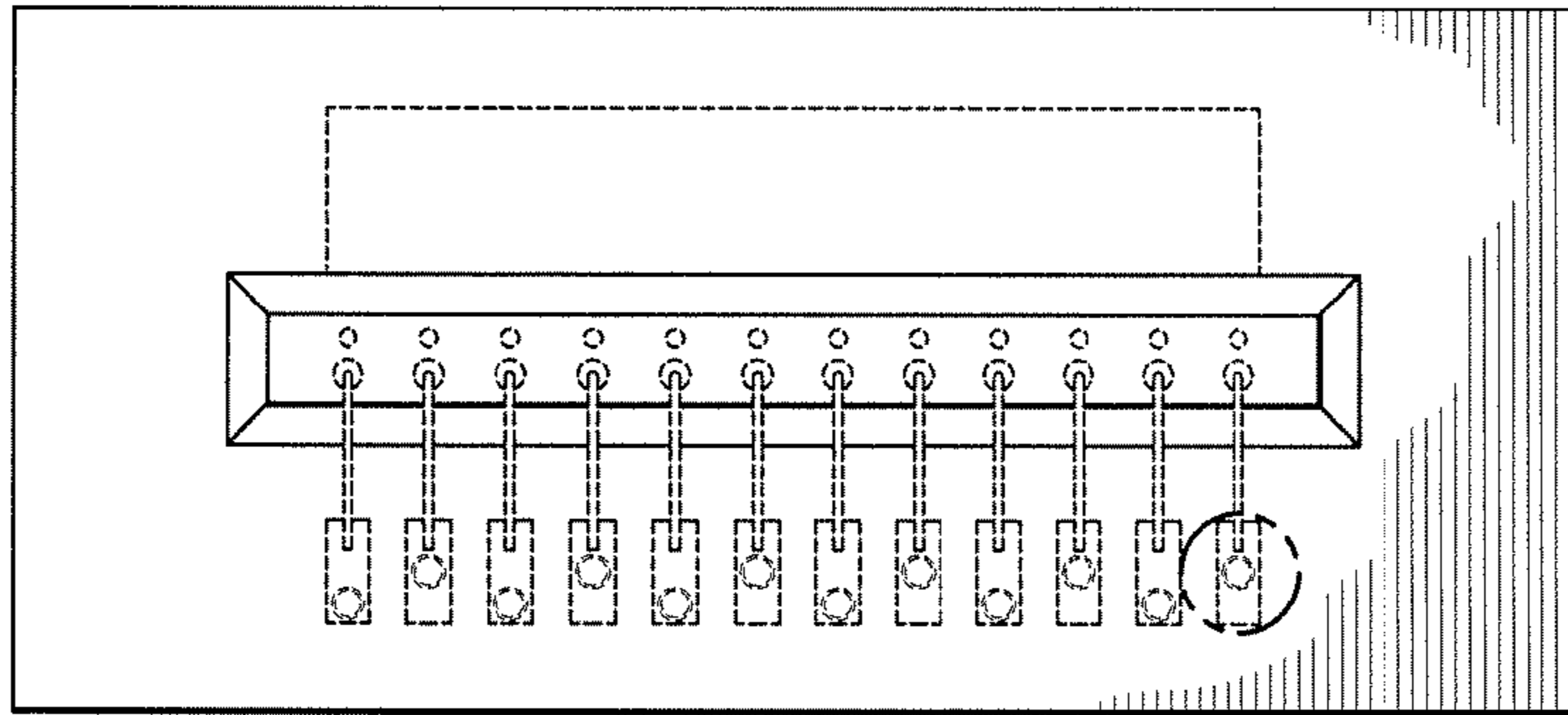


FIG. 4

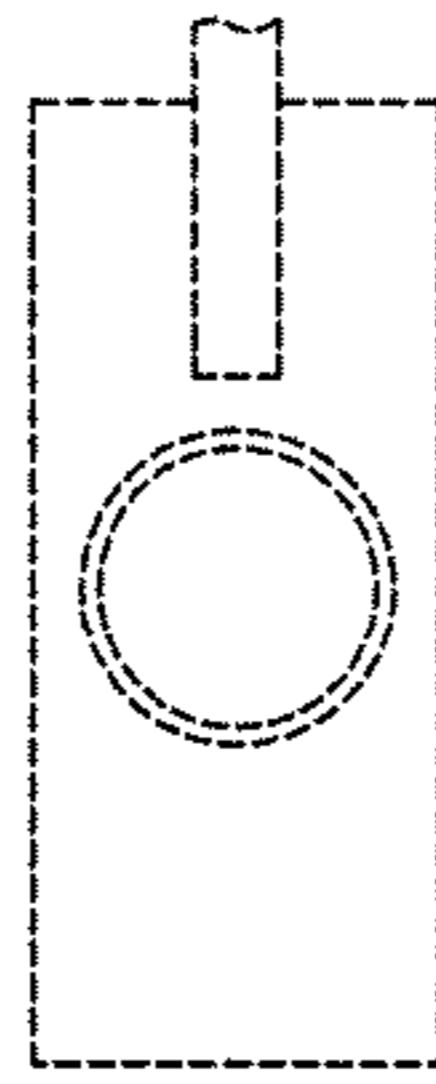


FIG. 5

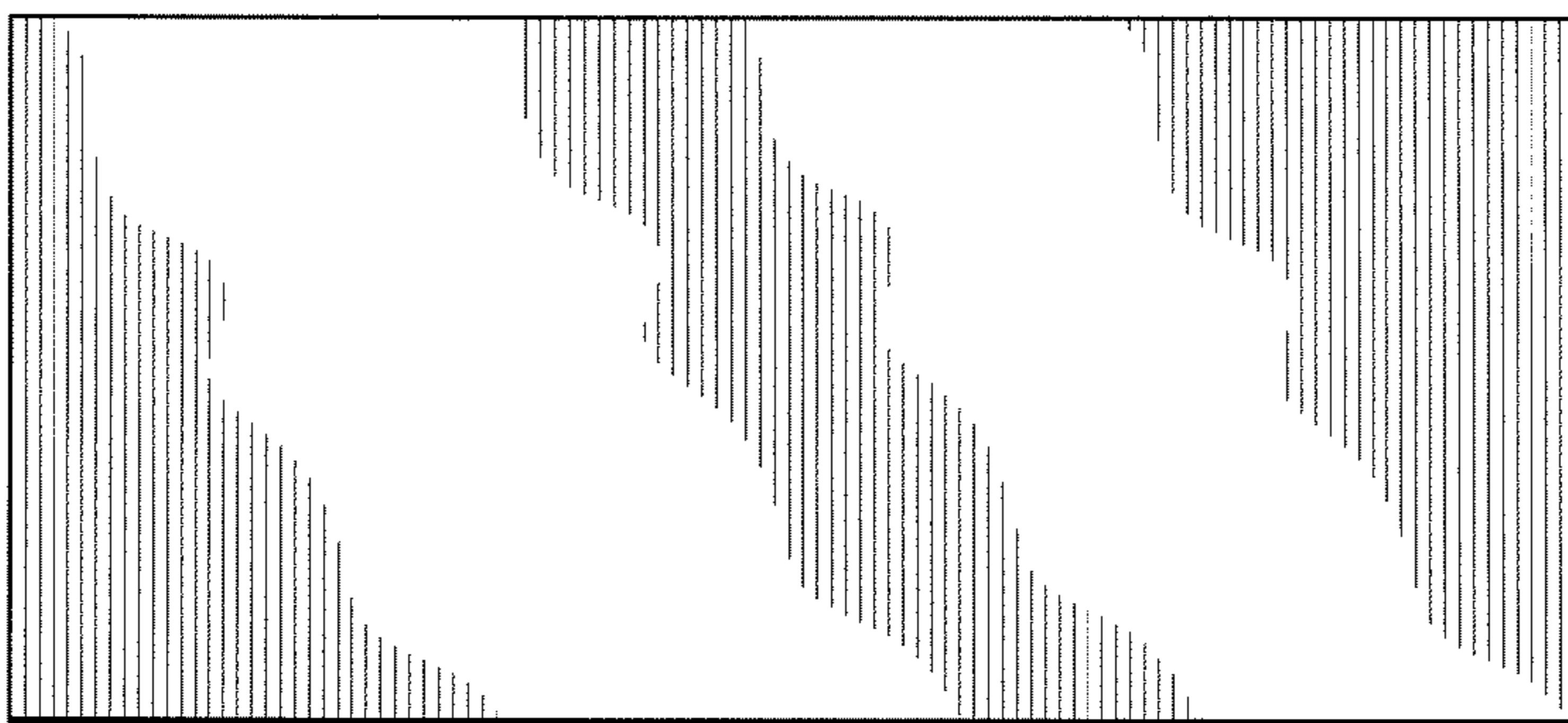


FIG. 6

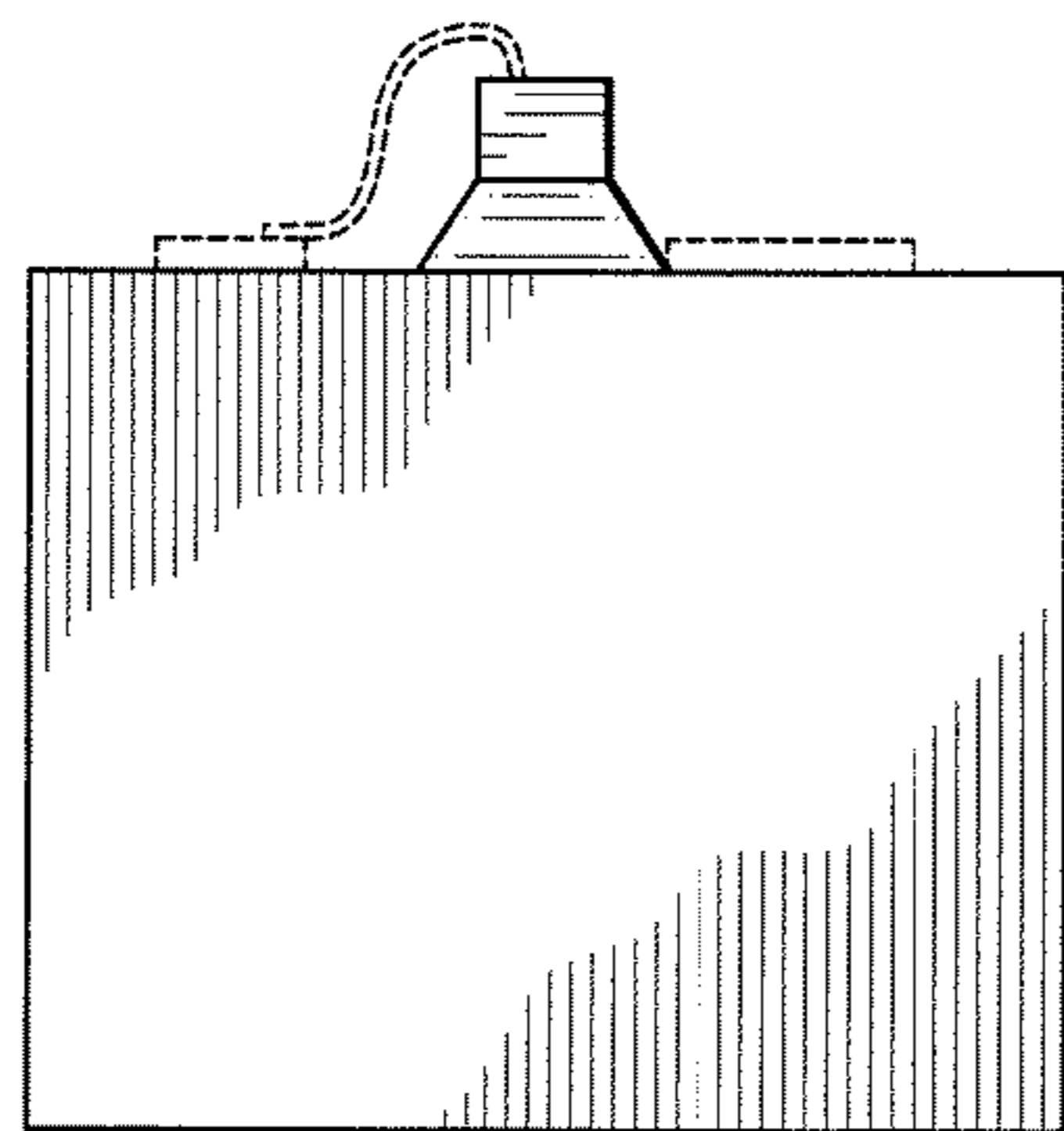


FIG. 7

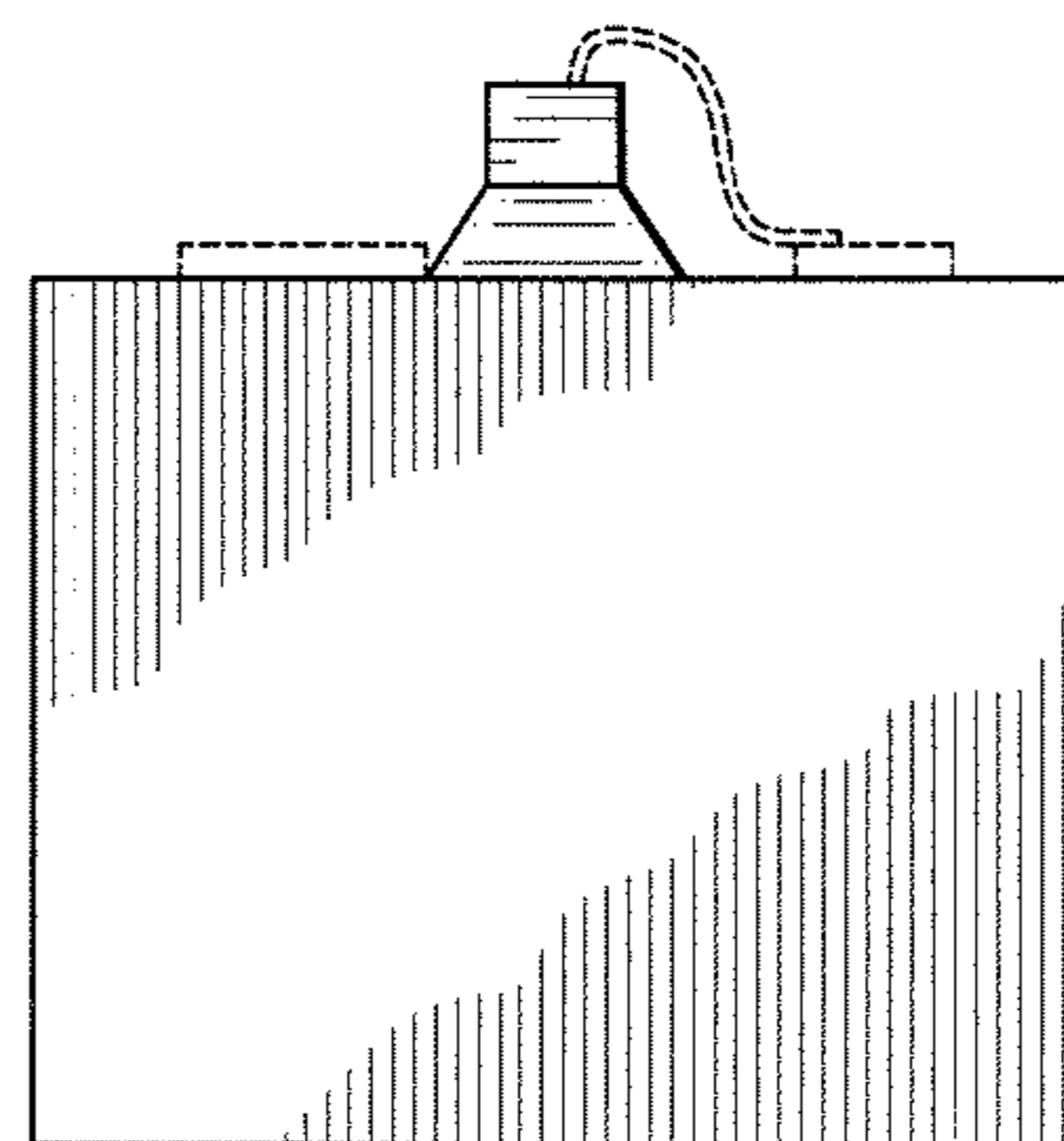


FIG. 8