



US00D640961S

(12) **United States Design Patent**
Ferguson

(10) **Patent No.:** **US D640,961 S**

(45) **Date of Patent:** **** *Jul. 5, 2011**

(54) **PROMOTIONAL SUN SHIELD**

(76) **Inventor:** **David Ferguson, Lansing, MI (US)**

(**) **Term:** **14 Years**

(21) **Appl. No.:** **29/325,609**

(22) **Filed:** **Oct. 3, 2008**

(51) **LOC (9) Cl.** **12-16**

(52) **U.S. Cl.** **D12/191**

(58) **Field of Classification Search** D12/183,
D12/181, 191, 190, 196, 400, 92, 90, 88;
280/727, 848; 296/180.1-180.5, 91; 180/903
See application file for complete search history.

D582,483 S * 12/2008 Awan D20/10
D594,394 S * 6/2009 Kawamata D12/191
2005/0066558 A1* 3/2005 Haggard, Jr. 40/597
2006/0156601 A1* 7/2006 Haggard, Jr. 40/604

* cited by examiner

Primary Examiner — Caron D Veynar

Assistant Examiner — Katrina Kile

(74) *Attorney, Agent, or Firm* — Foster Swift Collins & Smith, PC; Zachary W. Behler

(57) **CLAIM**

The ornamental design for a promotional sun shield, substantially as shown and described.

DESCRIPTION

FIG. 1 is a front view of a promotional sun shield showing my new design;

FIG. 2 is a front view thereof;

FIG. 3 is a front view in an alternate position; and,

FIG. 4 is a side view in an alternate position.

Portions of the promotional sun shield depicted with broken lines form no part of the claimed design.

1 Claim, 2 Drawing Sheets

(56) **References Cited**

U.S. PATENT DOCUMENTS

D293,428 S * 12/1987 Watts D12/191
D475,005 S * 5/2003 Grijalva D12/191
D500,805 S * 1/2005 Hinds D20/21
D522,943 S * 6/2006 Opoku-Agyemang D12/191
D548,154 S * 8/2007 Eskandry D12/191
D548,657 S * 8/2007 Eskandry D12/183
D555,057 S * 11/2007 Eskandry D12/191
D574,307 S * 8/2008 Focardi D12/181





FIG. 1



FIG. 2

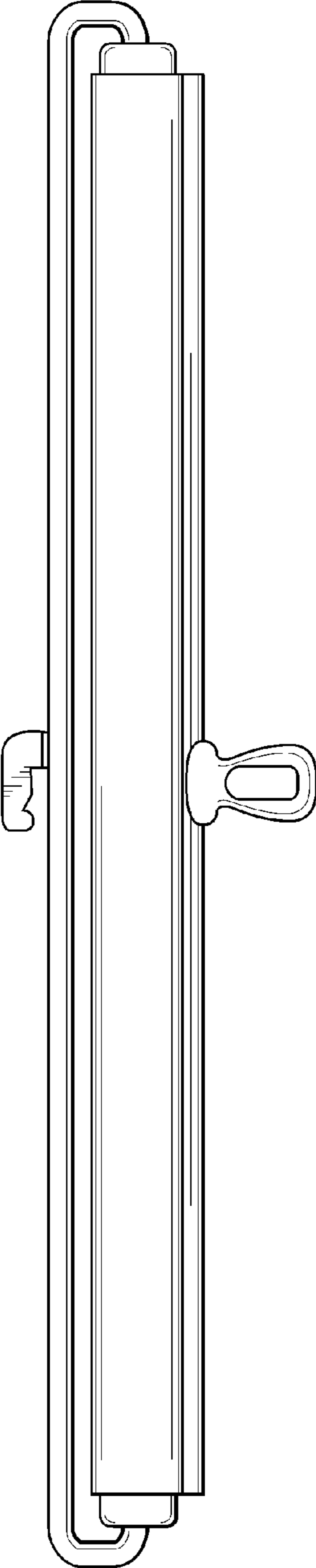


FIG. 3

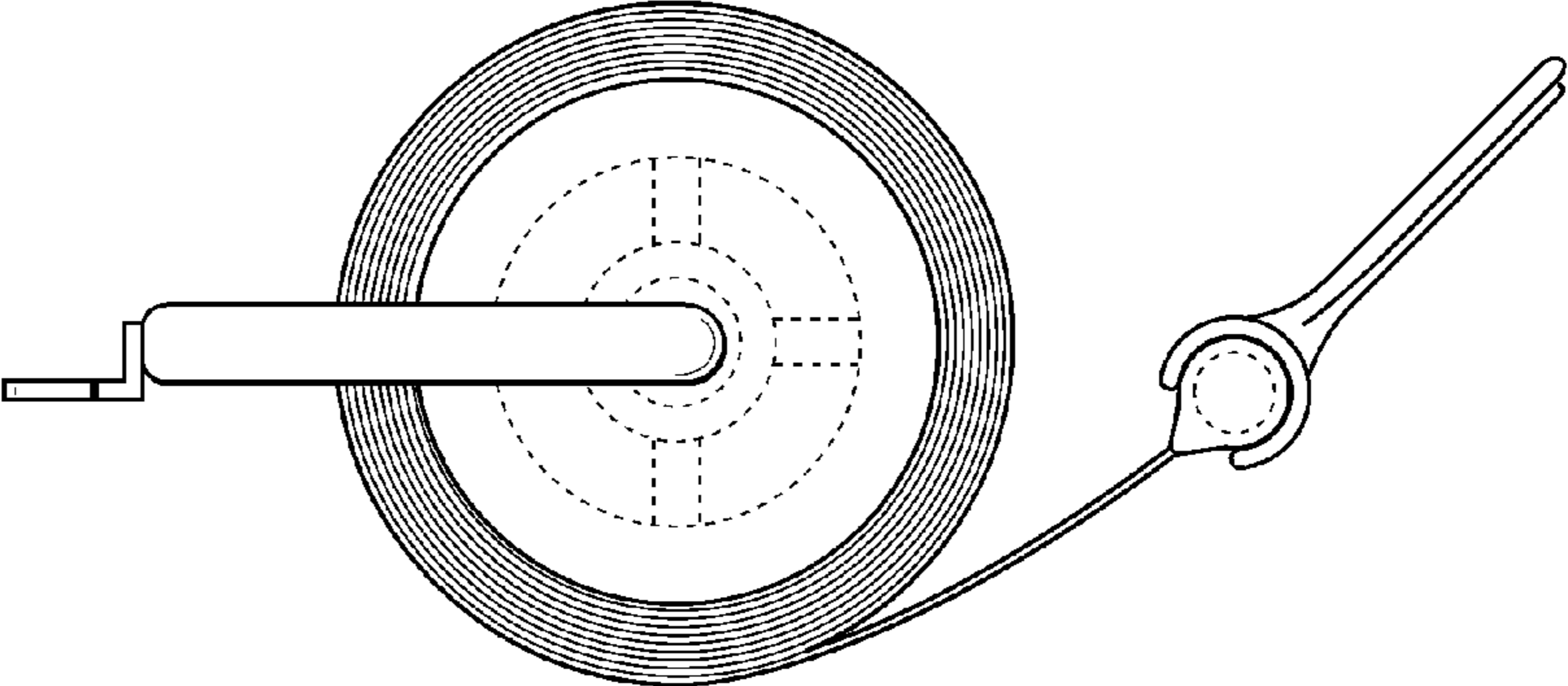


FIG. 4