



US00D640955S

(12) **United States Design Patent**  
**Peters et al.**

(10) **Patent No.:** **US D640,955 S**

(45) **Date of Patent:** **\*\* Jul. 5, 2011**

(54) **SMALL SCALENE HIGH VISIBILITY FLAG**

(76) Inventors: **Daniel D. Peters**, Mound, MN (US);  
**Rachelle L. Troyer**, Mound, MN (US)

(\*\*) Term: **14 Years**

(21) Appl. No.: **29/368,209**

(22) Filed: **Aug. 20, 2010**

(51) **LOC (9) Cl.** ..... **11-05**

(52) **U.S. Cl.** ..... **D11/165**

(58) **Field of Classification Search** ..... D11/165-183;  
D20/16, 17, 21, 28, 41-43; 40/218, 584,  
40/604, 606.01, 606.15, 607.01, 607.03,  
40/607.05; 116/173-175; 248/200, 218.4,  
248/511, 514, 518-521, 534-539; D5/63,  
D5/64; D6/592, 615, 616  
See application file for complete search history.

(56) **References Cited**

**U.S. PATENT DOCUMENTS**

D2,599 S *	3/1867	Rogers	.....	D11/166
D34,810 S *	7/1901	Eisenmann	.....	D11/168
D39,241 S *	4/1908	Hunt	.....	D11/168
884,950 A *	4/1908	Page	.....	116/175
D55,631 S *	7/1920	McMullan et al.	.....	D10/109
D61,827 S *	1/1923	Greist	.....	D11/168
1,593,078 A *	7/1926	Jacobs	.....	116/173
D130,317 S *	11/1941	Scott	.....	D11/168
2,888,900 A *	6/1959	Scarlet	.....	116/173
D233,510 S	11/1974	Baker	.....	

D234,191 S	1/1975	Might et al.	
4,024,833 A *	5/1977	Pook et al.	..... 116/173
D259,772 S	7/1981	Huntington	
D313,214 S *	12/1990	Phillips et al.	..... D12/223
5,246,517 A *	9/1993	Watson	..... 156/215
D340,203 S *	10/1993	Popp et al.	..... D10/109
6,584,928 B2 *	7/2003	Kinahan	..... 116/174
D500,526 S *	1/2005	McCudden et al.	..... D20/41
D605,449 S *	12/2009	Solomon	..... D6/582
D624,847 S *	10/2010	Czyzewski	..... D11/165
2002/0005003 A1 *	1/2002	Griffin	..... 40/584
2006/0010556 A1 *	1/2006	Dickey et al.	..... 2/69
2006/0207494 A1 *	9/2006	Paley et al.	..... 116/173

\* cited by examiner

*Primary Examiner* — Karen S Acker

(74) *Attorney, Agent, or Firm* — Geiser Law, PLLC; Greg N. Geiser

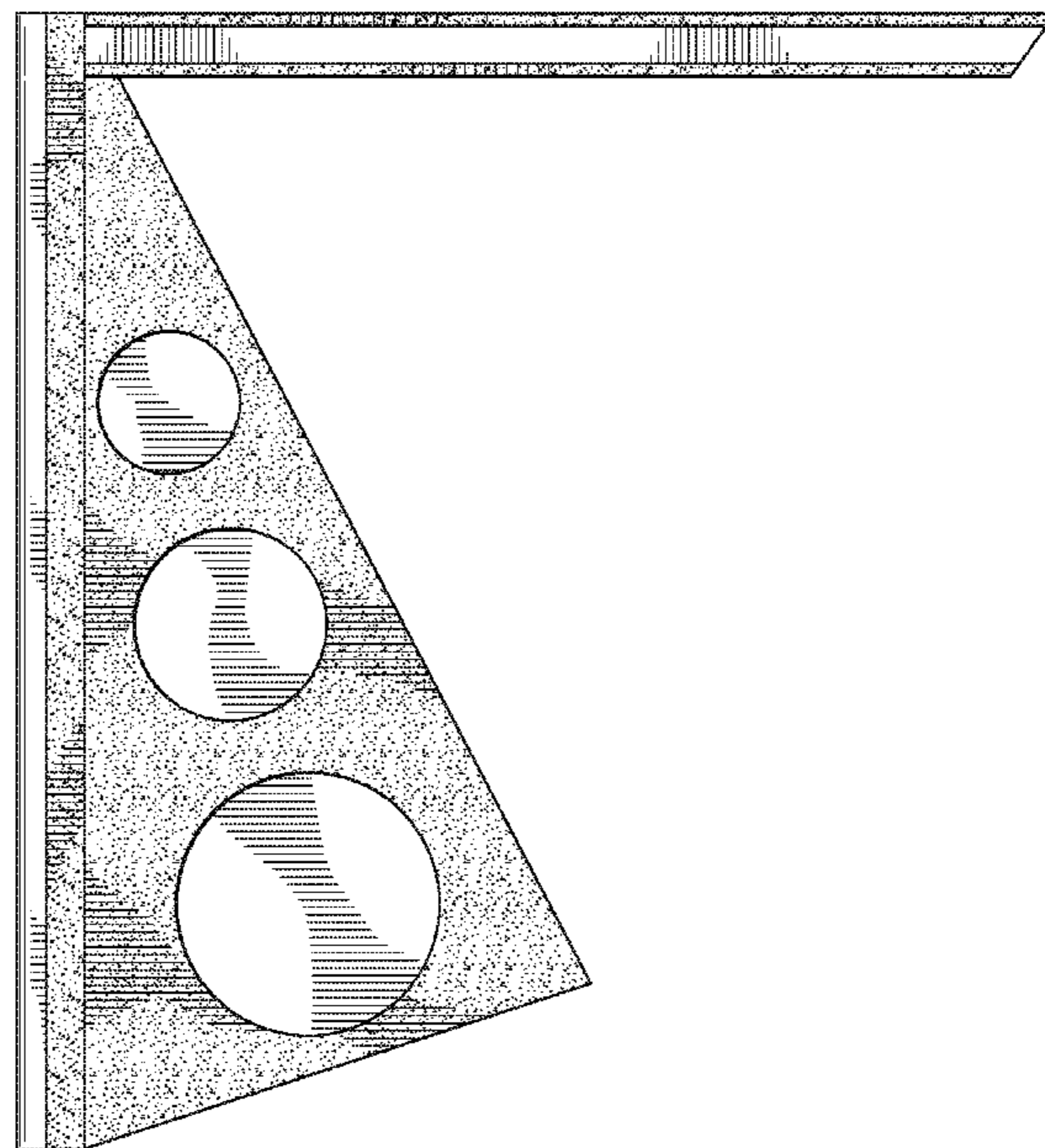
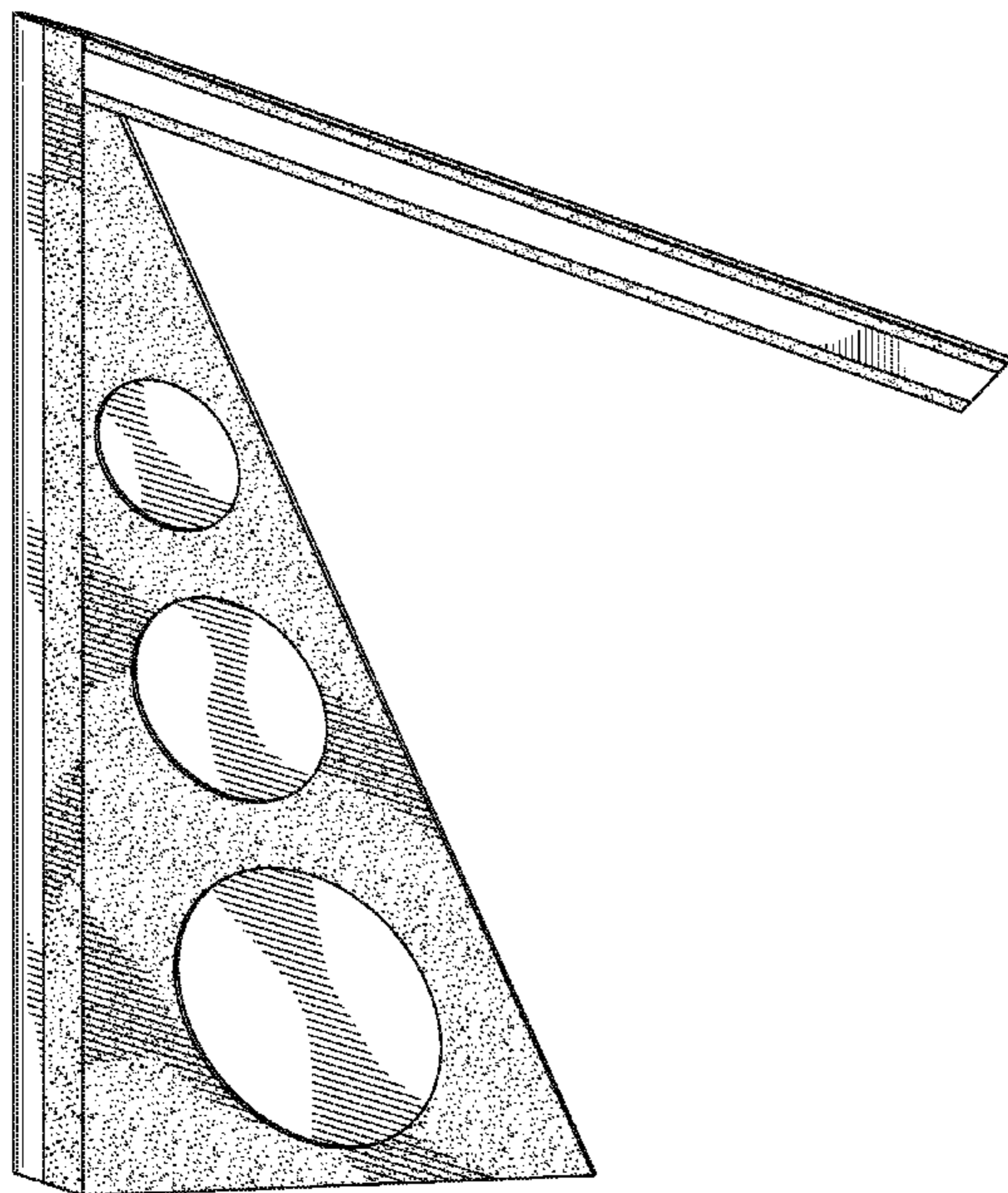
(57) **CLAIM**

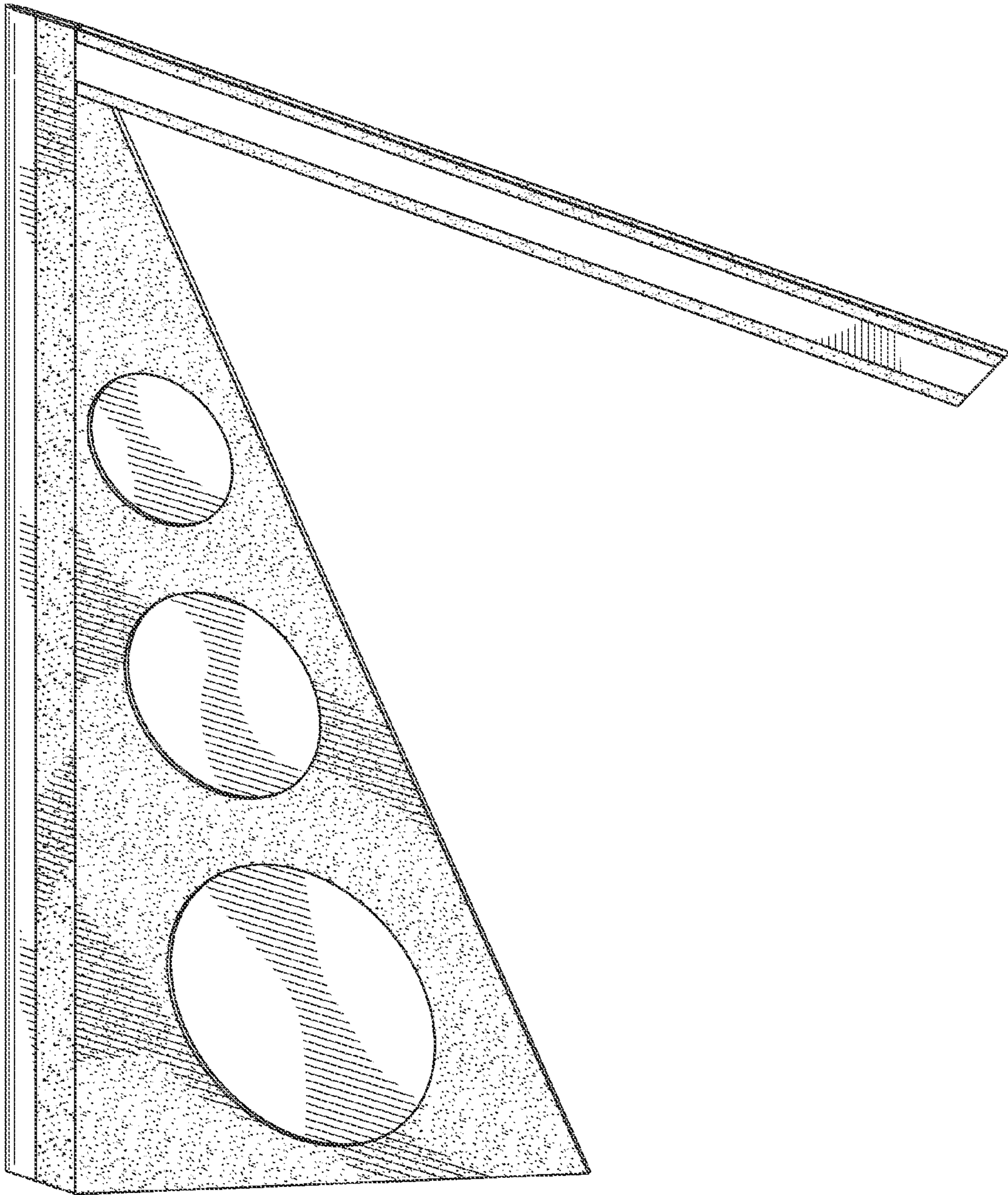
The ornamental design for a small scalene high visibility flag, as shown and described.

**DESCRIPTION**

FIG. 1 is a perspective view of the small scalene high visibility flag showing our new design;  
FIG. 2 is a right side view thereof;  
FIG. 3 is a left side view thereof;  
FIG. 4 is a rear view thereof;  
FIG. 5 is a front view thereof;  
FIG. 6 is top view thereof; and,  
FIG. 7 is a bottom view thereof.

**1 Claim, 5 Drawing Sheets**





**FIG. 1**

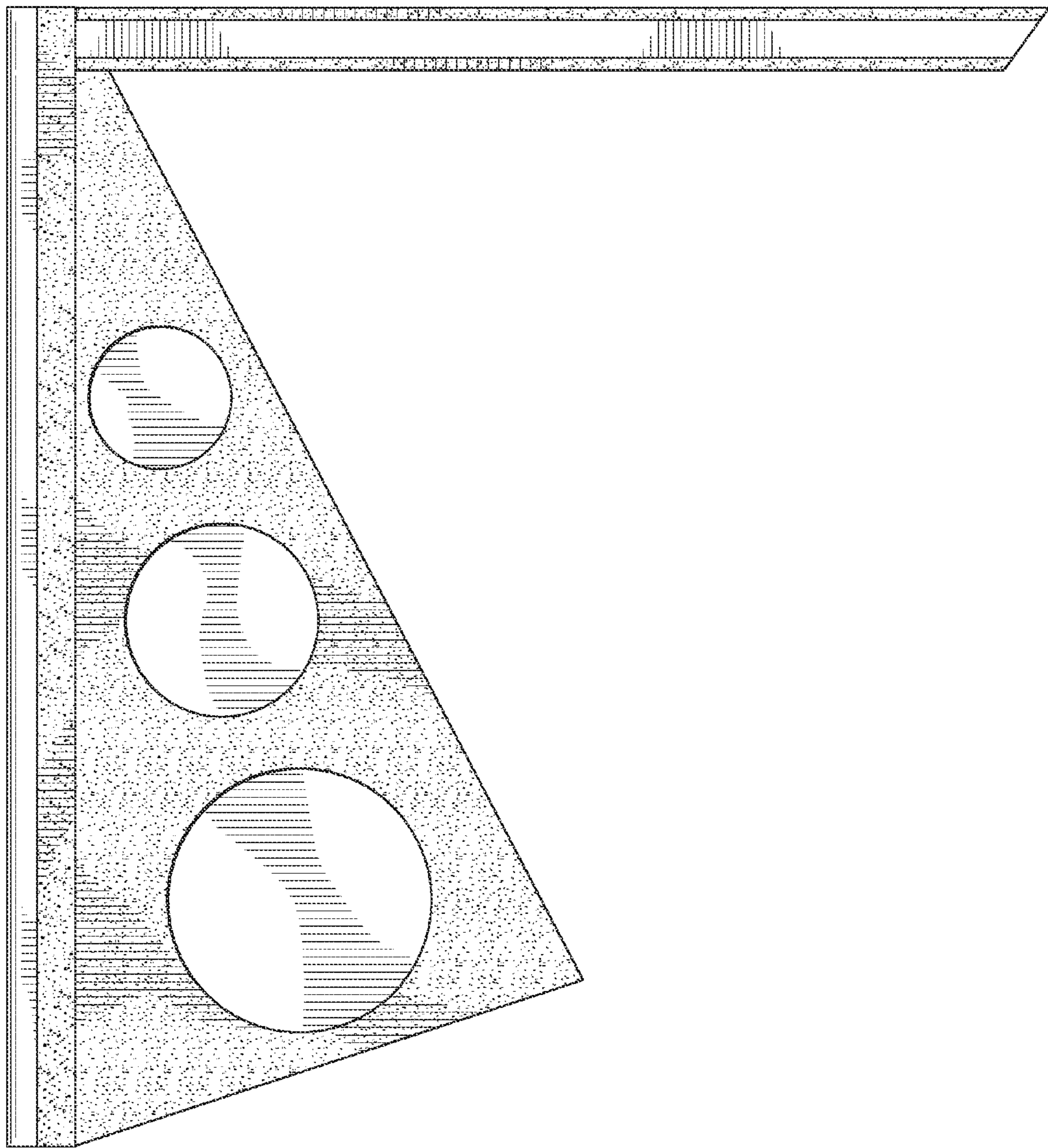


FIG. 2

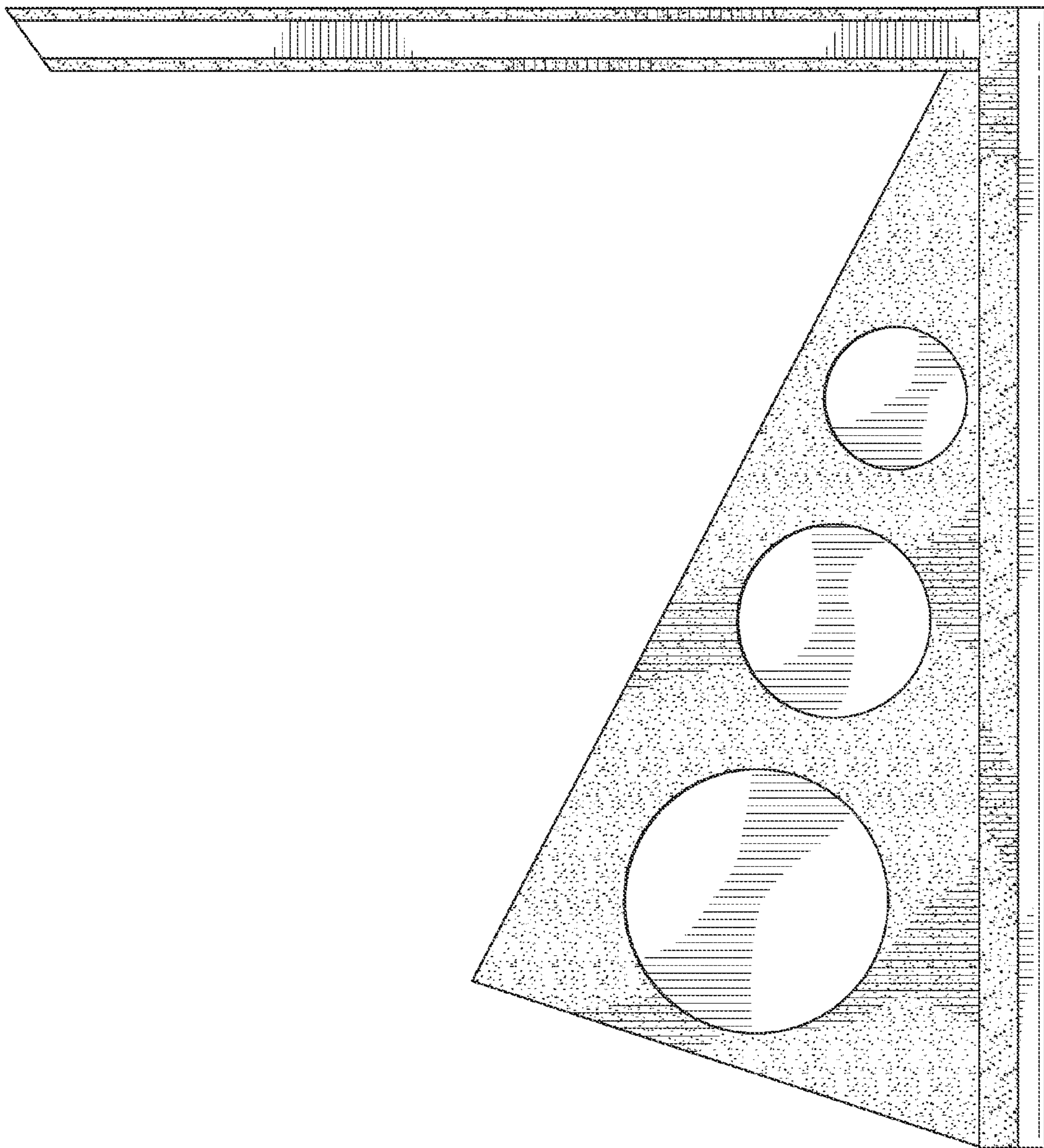
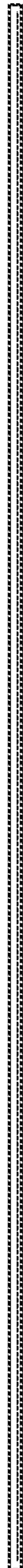


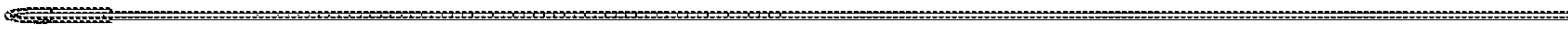
FIG. 3



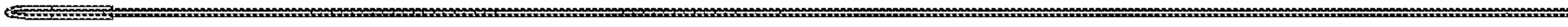
**FIG. 4**



**FIG. 5**



*FIG. 6*



*FIG. 7*