



US00D640954S

(12) **United States Design Patent**  
**Peters et al.**

(10) **Patent No.:** **US D640,954 S**  
(45) **Date of Patent:** **\*\* Jul. 5, 2011**

(54) **LARGE SCALENE HIGH VISIBILITY FLAG**

(76) Inventors: **Daniel D. Peters**, Mound, MN (US);  
**Rachelle L. Troyer**, Mound, MN (US)

(\*\*) Term: **14 Years**

(21) Appl. No.: **29/366,385**

(22) Filed: **Jul. 23, 2010**

(51) **LOC (9) Cl.** ..... **11-05**

(52) **U.S. Cl.** ..... **D11/165**

(58) **Field of Classification Search** ..... D11/165–183;  
D20/16, 17, 21, 28, 41–43; 40/218, 584,  
40/604, 606.01, 606.15, 607.01, 607.03,  
40/607.05; 116/173–175; 248/200, 218.4,  
248/511, 514, 518–521, 534–539; D5/63,  
D5/64; D6/592, 615, 616

See application file for complete search history.

D234,191	S	1/1975	Might et al.	
4,024,833	A *	5/1977	Pook et al.	116/173
D259,772	S	7/1981	Huntington	
D313,214	S *	12/1990	Phillips et al.	D12/223
5,246,517	A *	9/1993	Watson	156/215
D340,203	S *	10/1993	Popp et al.	D10/109
6,584,928	B2 *	7/2003	Kinahan	116/174
D500,526	S *	1/2005	McCudden et al.	D20/41
D605,449	S *	12/2009	Solomon	D6/582
D624,847	S *	10/2010	Czyzewski	D11/165
2002/0005003	A1 *	1/2002	Griffin	40/584
2006/0010556	A1 *	1/2006	Dickey et al.	2/69
2006/0207494	A1 *	9/2006	Paley et al.	116/173

\* cited by examiner

*Primary Examiner* — Karen S Acker

(74) *Attorney, Agent, or Firm* — Geiser Law, PLLC; Greg N. Geiser

(57) **CLAIM**

The ornamental design for a large scalene high visibility flag, as shown and described.

(56) **References Cited**

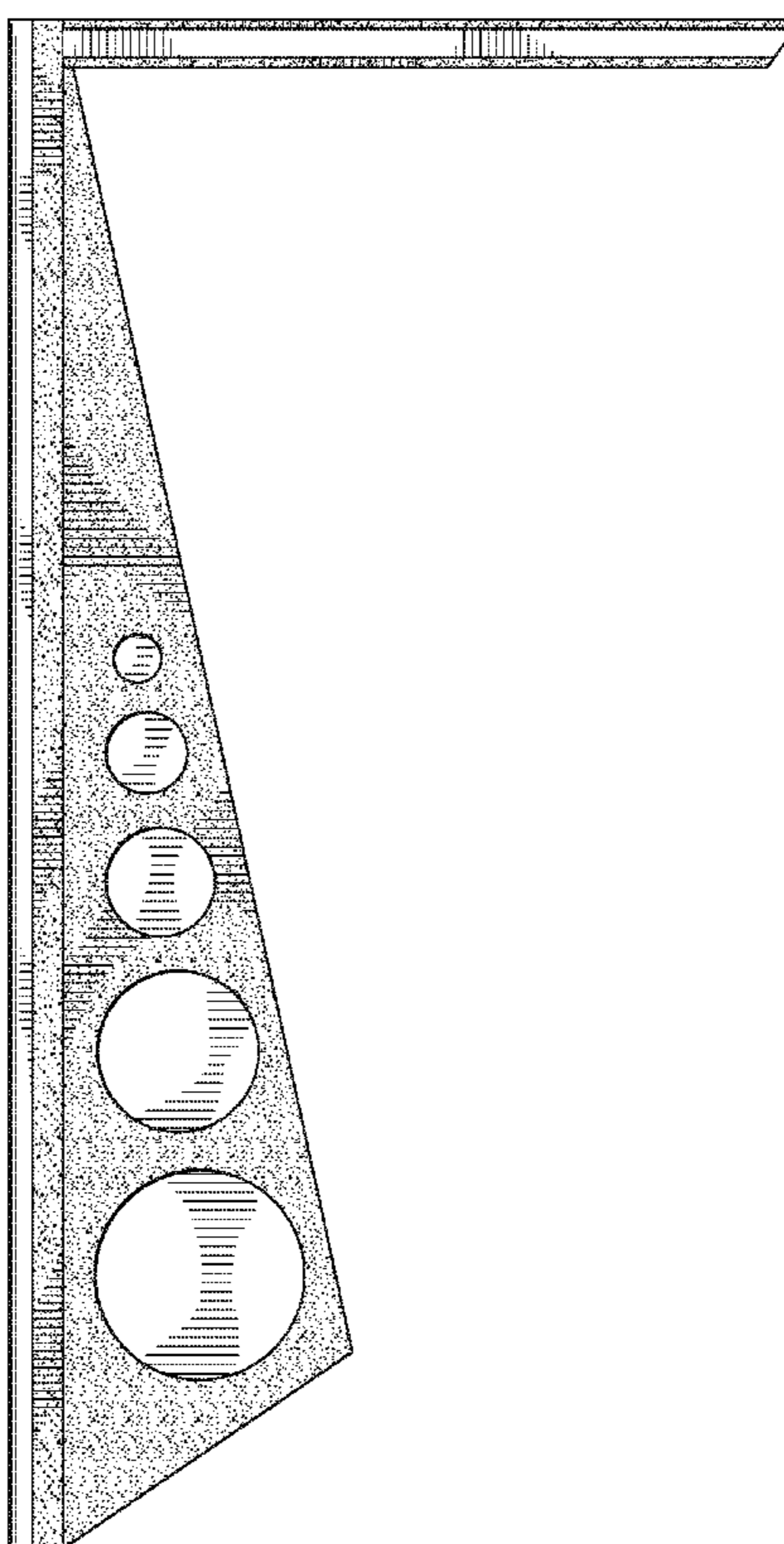
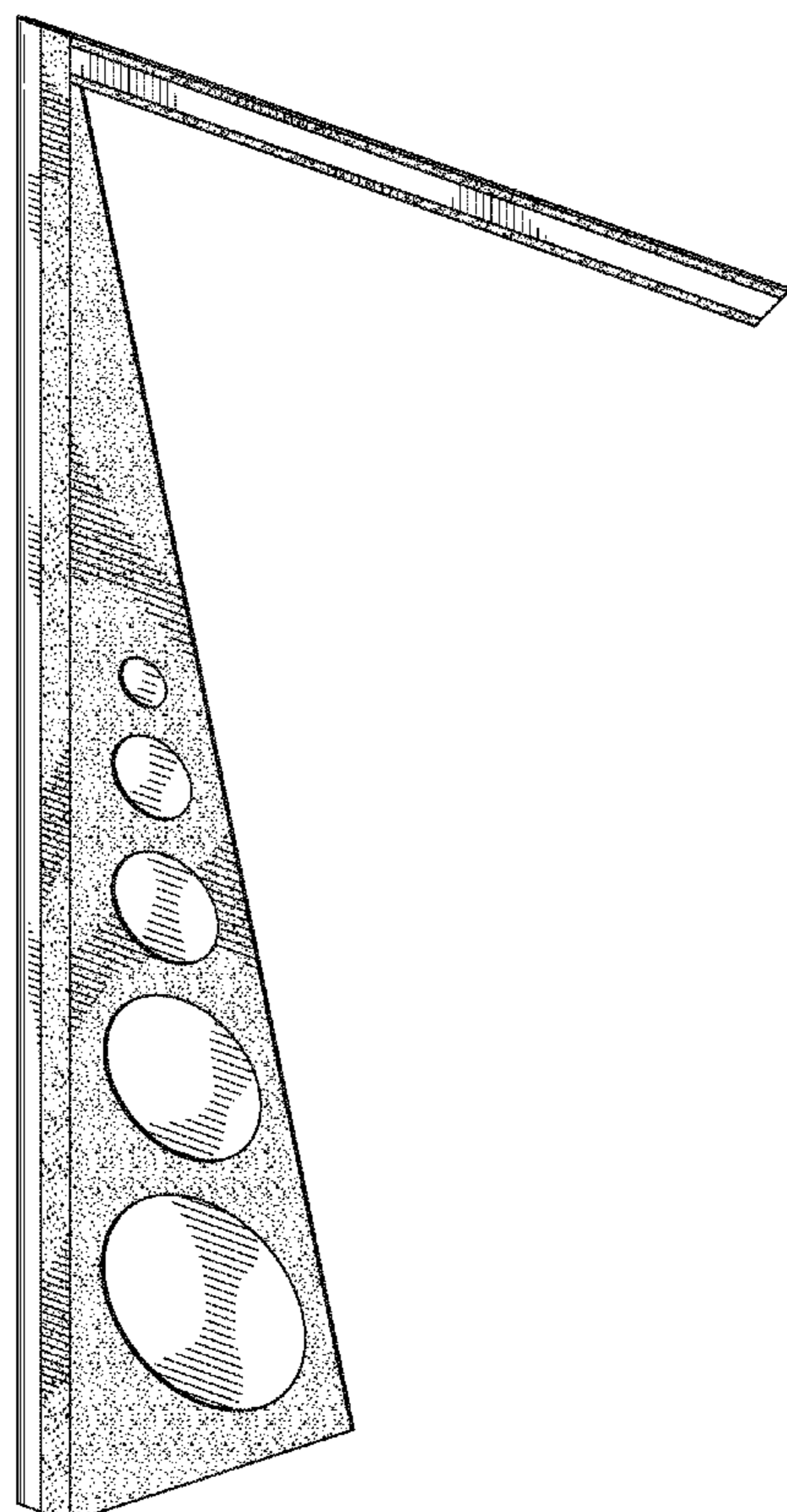
U.S. PATENT DOCUMENTS

D2,599	S *	3/1867	Rogers	D11/166
D34,810	S *	7/1901	Eisenmann	D11/168
D39,241	S *	4/1908	Hunt	D11/168
884,950	A *	4/1908	Page	116/175
D55,631	S *	7/1920	McMullan et al.	D10/109
D61,827	S *	1/1923	Greist	D11/168
1,593,078	A *	7/1926	Jacobs	116/173
D130,317	S *	11/1941	Scott	D11/168
2,888,900	A *	6/1959	Scarlet	116/173
D233,510	S	11/1974	Baker	

**DESCRIPTION**

FIG. 1 is a perspective view of the large scalene high visibility flag showing our new design;  
FIG. 2 is a right side view thereof;  
FIG. 3 is a left side view thereof;  
FIG. 4 is a rear view thereof;  
FIG. 5 is a front view thereof;  
FIG. 6 is top view thereof; and,  
FIG. 7 is a bottom view thereof.

**1 Claim, 5 Drawing Sheets**



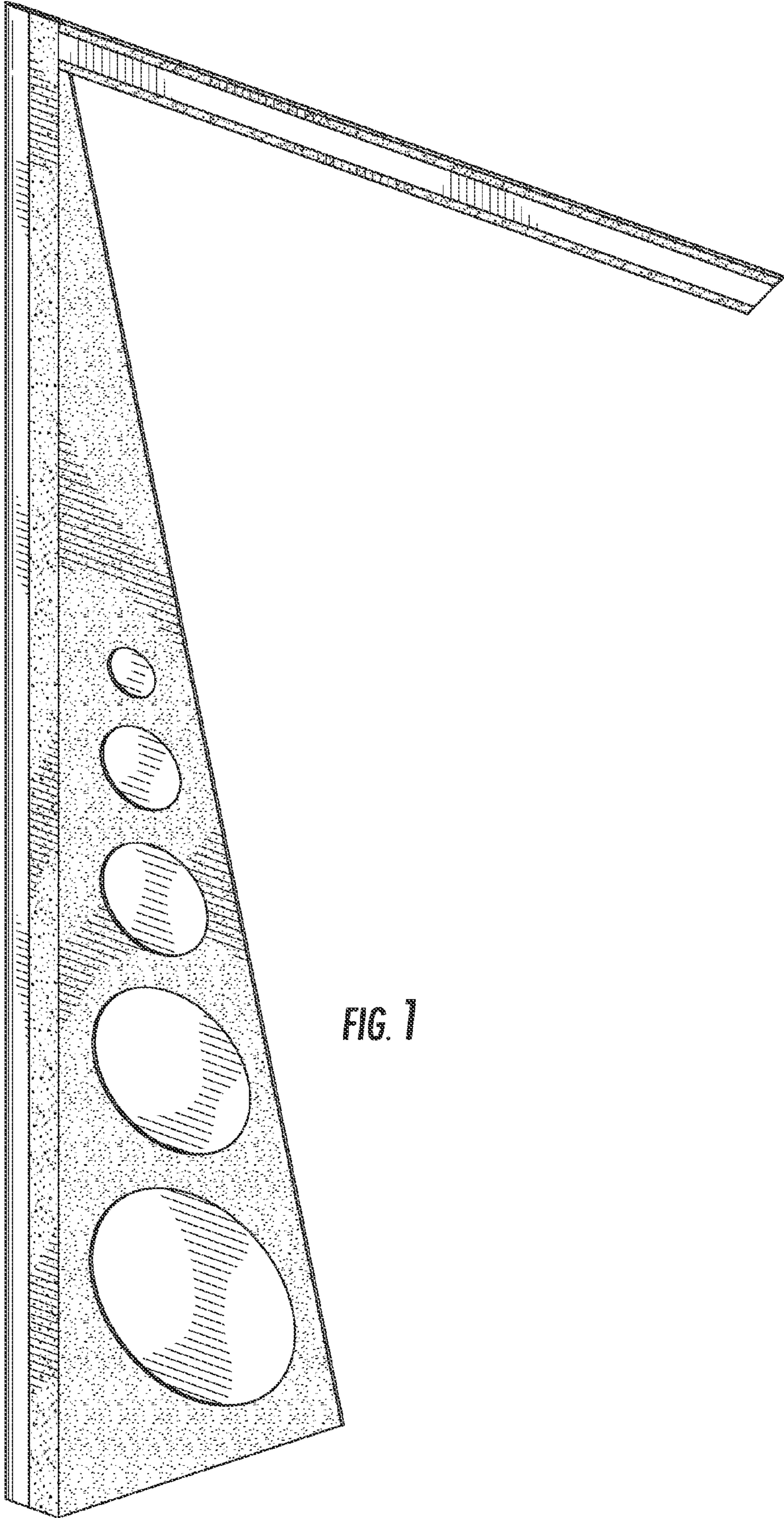


FIG. 1

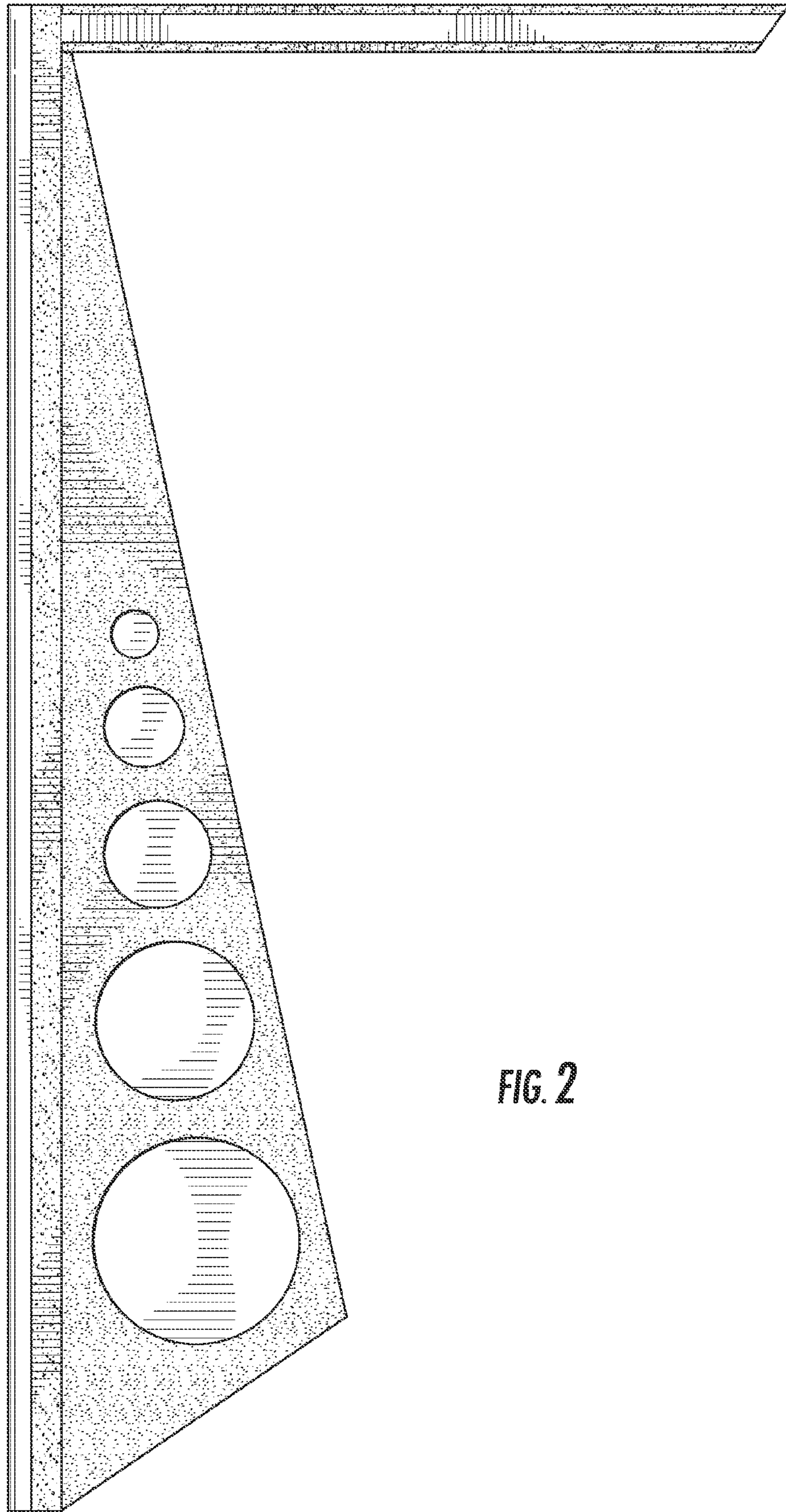
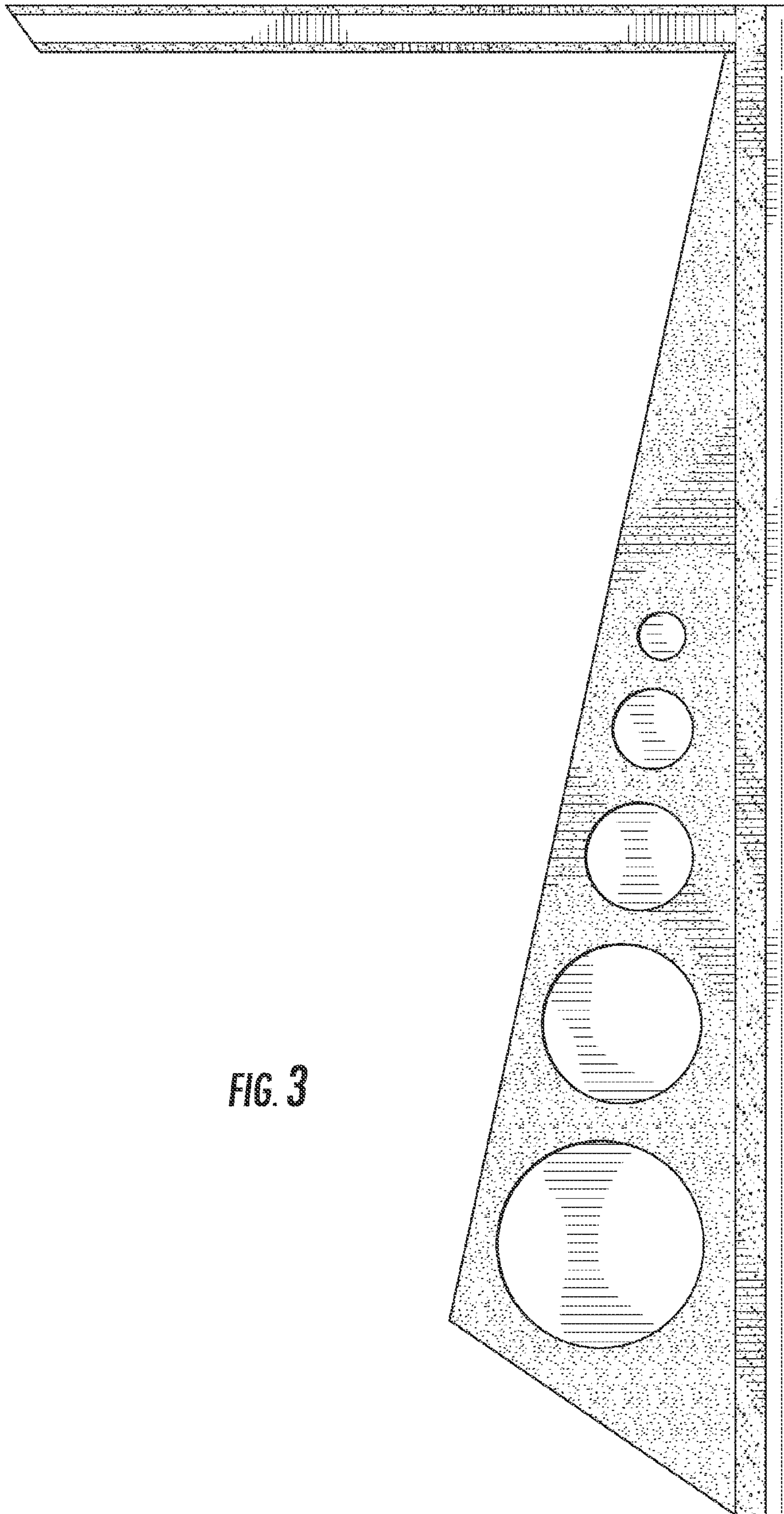


FIG. 2



**FIG. 3**



***FIG. 4***



***FIG. 5***



**FIG. 6**



**FIG. 7**