

US00D640953S

(12) **United States Design Patent**
Peters et al.

(10) **Patent No.:** **US D640,953 S**
(45) **Date of Patent:** **** Jul. 5, 2011**

(54) **MEDIUM SCALENE HIGH VISIBILITY FLAG**

(76) Inventors: **Daniel D. Peters**, Mound, MN (US);
Rachelle L. Troyer, Mound, MN (US)

(**) Term: **14 Years**

(21) Appl. No.: **29/366,381**

(22) Filed: **Jul. 23, 2010**

(51) **LOC (9) Cl.** **11-05**

(52) **U.S. Cl.** **D11/165**

(58) **Field of Classification Search** D11/165–183;
D20/16, 17, 21, 28, 41–43; 40/218, 584,
40/604, 606.01, 606.15, 607.01, 607.03,
40/607.05; 116/173–175; 248/200, 218.4,
248/511, 514, 518–521, 534–539; D5/63,
D5/64; D6/592, 615, 616

See application file for complete search history.

(56) **References Cited**

U.S. PATENT DOCUMENTS

D2,599 S *	3/1867	Rogers	D11/166
D34,810 S *	7/1901	Eisenmann	D11/168
D39,241 S *	4/1908	Hunt	D11/168
884,950 A *	4/1908	Page	116/175
D55,631 S *	7/1920	McMullan et al.	D10/109
D61,827 S *	1/1923	Greist	D11/168
1,593,078 A *	7/1926	Jacobs	116/173
D130,317 S *	11/1941	Scott	D11/168
2,888,900 A *	6/1959	Scarlet	116/173
D233,510 S	11/1974	Baker		

D234,191 S	1/1975	Might et al.		
4,024,833 A *	5/1977	Pook et al.	116/173
D259,772 S	7/1981	Huntington		
D313,214 S *	12/1990	Phillips et al.	D12/223
5,246,517 A *	9/1993	Watson	156/215
D340,203 S *	10/1993	Popp et al.	D10/109
6,584,928 B2 *	7/2003	Kinahan	116/174
D500,526 S *	1/2005	McCudden et al.	D20/41
D605,449 S *	12/2009	Solomon	D6/582
D624,847 S *	10/2010	Czyzewski	D11/165
2002/0005003 A1 *	1/2002	Griffin	40/584
2006/0010556 A1 *	1/2006	Dickey et al.	2/69
2006/0207494 A1 *	9/2006	Paley et al.	116/173

* cited by examiner

Primary Examiner — Karen S Acker

(74) *Attorney, Agent, or Firm* — Geiser Law, PLLC; Greg N. Geiser

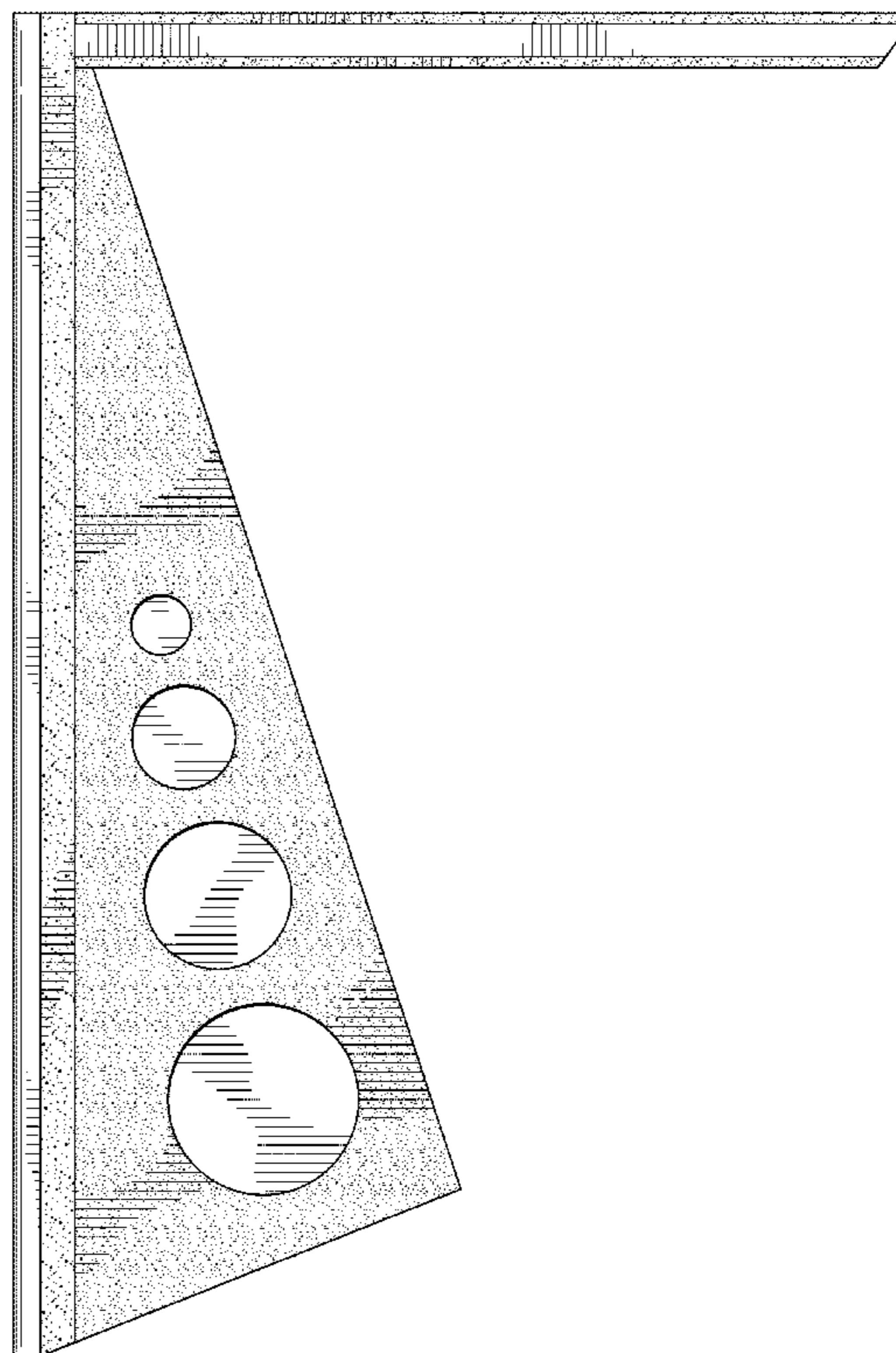
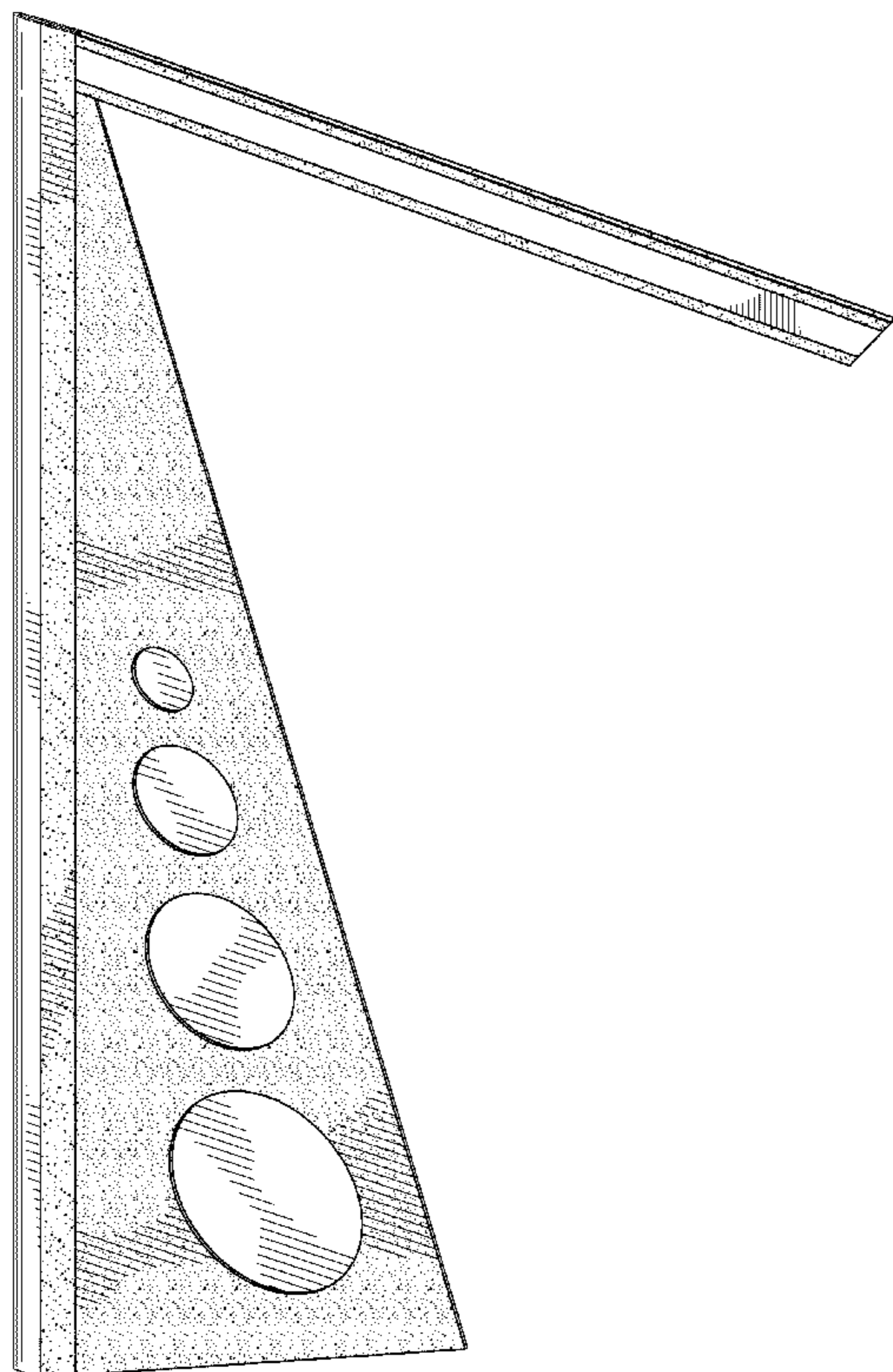
(57) **CLAIM**

The ornamental design for a medium scalene high visibility flag, as shown and described.

DESCRIPTION

FIG. 1 is a perspective view of the medium scalene high visibility flag showing our new design;
FIG. 2 is a right side view thereof;
FIG. 3 is a left side view thereof;
FIG. 4 is a rear view thereof;
FIG. 5 is a front view thereof;
FIG. 6 is top view thereof; and,
FIG. 7 is a bottom view thereof.

1 Claim, 5 Drawing Sheets



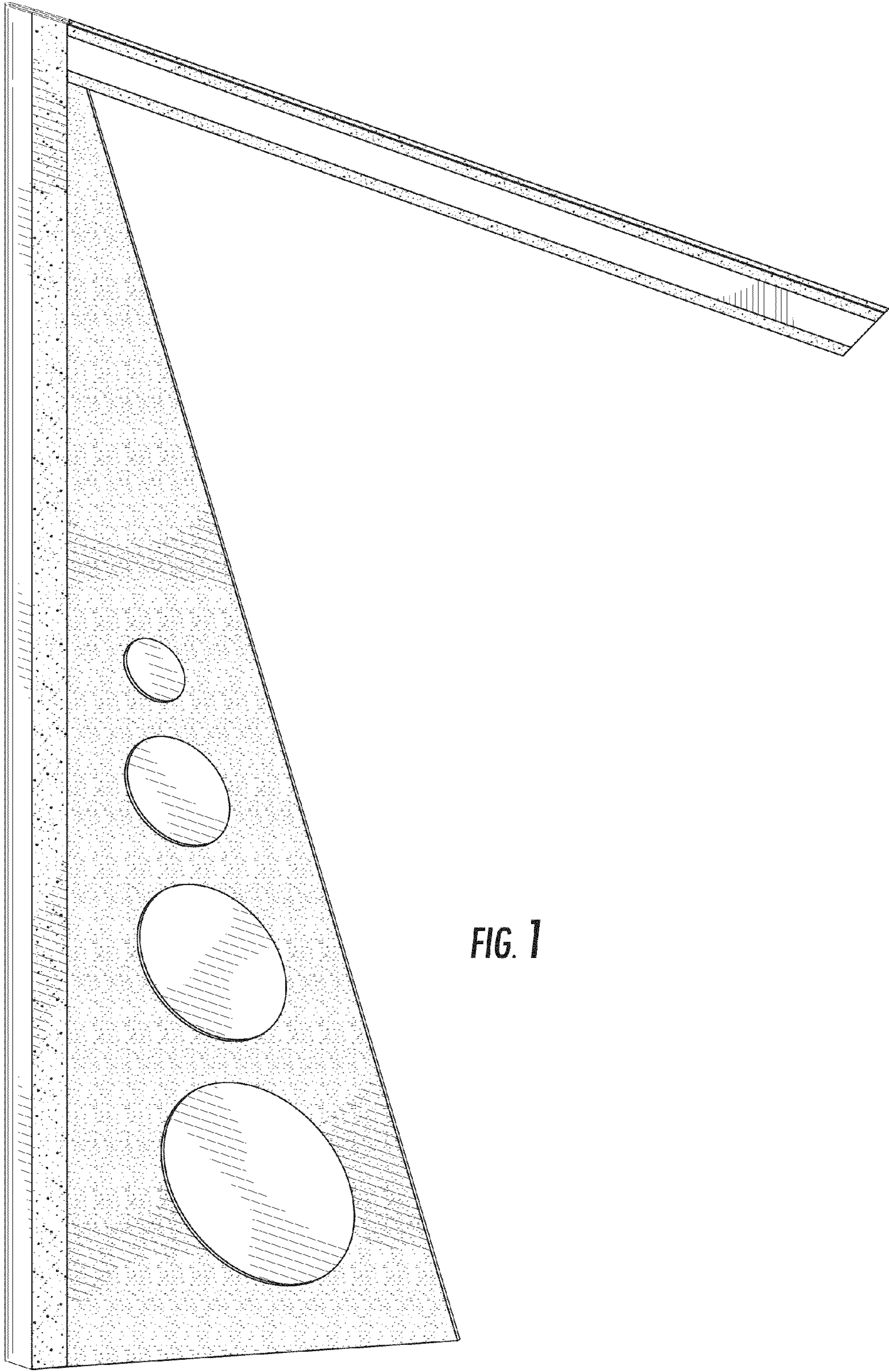


FIG. 1

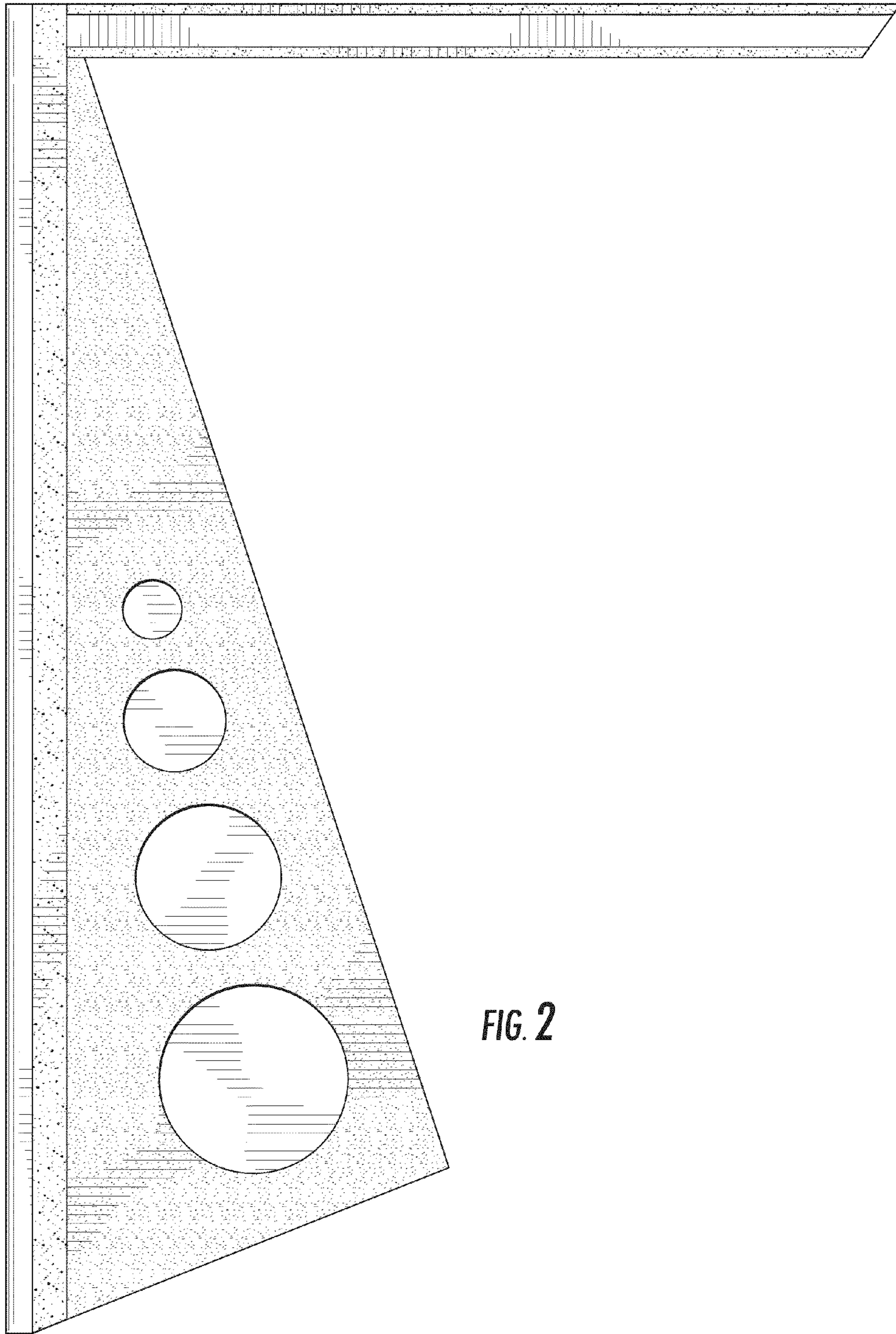


FIG. 2

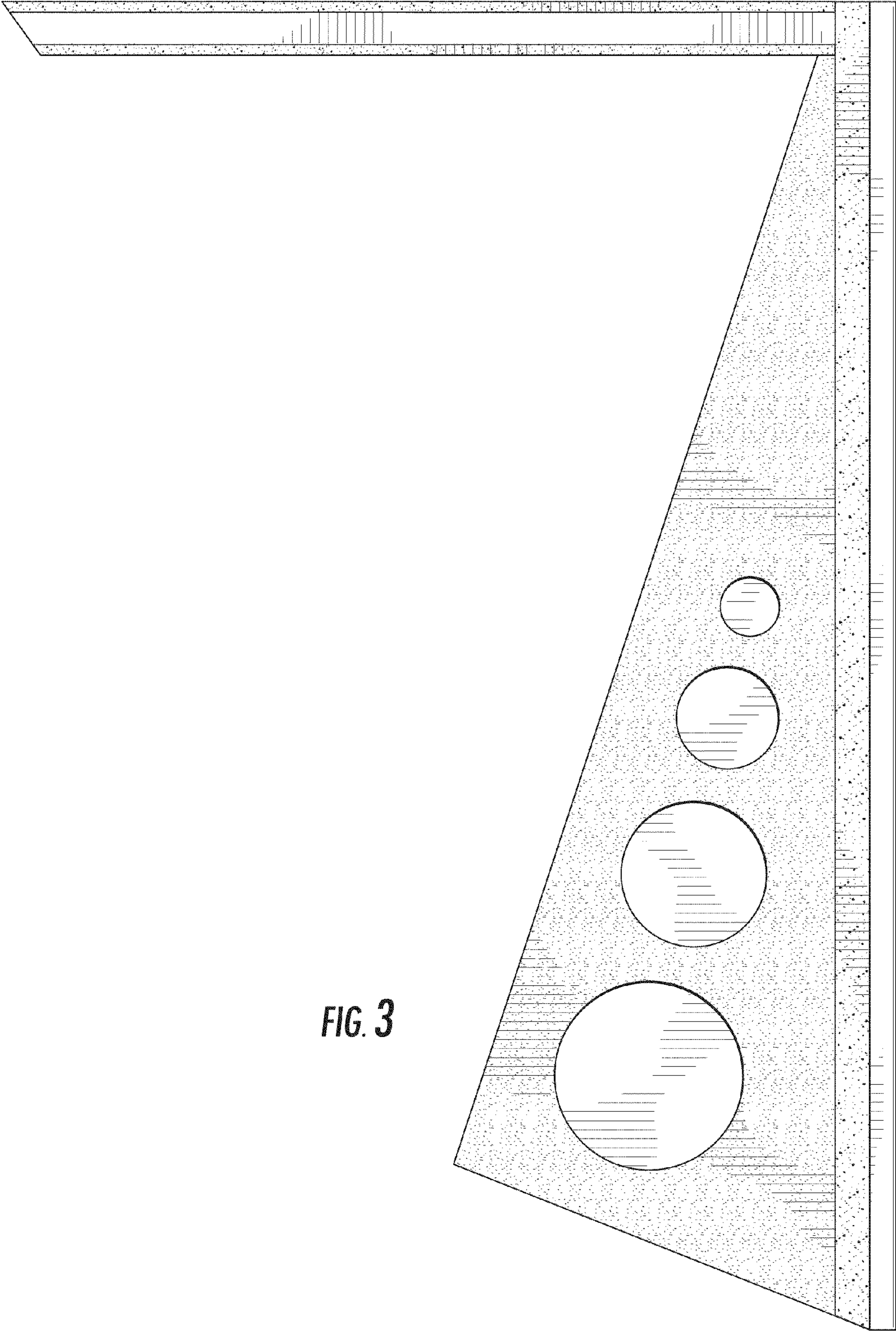


FIG. 3



FIG. 4



FIG. 5



FIG. 6

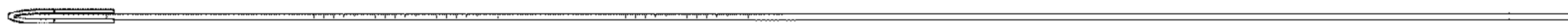


FIG. 7