



US00D640952S

(12) **United States Design Patent**  
**Rasmussen**

(10) **Patent No.:** **US D640,952 S**

(45) **Date of Patent:** **\*\* Jul. 5, 2011**

(54) **CHRISTMAS TREE WATERING DEVICE**

(76) Inventor: **Troy Rasmussen**, Logan, UT (US)

(\*\*) Term: **14 Years**

(21) Appl. No.: **29/380,828**

(22) Filed: **Dec. 10, 2010**

(51) **LOC (9) Cl.** ..... **11-05**

(52) **U.S. Cl.** ..... **D11/125**

(58) **Field of Classification Search** ..... D11/117,  
D11/121, 124, 125, 130, 130.1, 131, 157,  
D11/158; 428/7, 8, 9, 12

See application file for complete search history.

D538,039	S	*	3/2007	Metcalfé et al.	.....	D3/271.1
D550,587	S	*	9/2007	Limber	.....	D11/128
D561,542	S	*	2/2008	Haas	.....	D8/14
D565,912	S	*	4/2008	Diekmann et al.	.....	D8/1
7,757,435	B1	*	7/2010	Boskofsky	.....	47/40.5
D623,394	S	*	9/2010	Pressley	.....	D3/10
D628,033	S	*	11/2010	Tafoya et al.	.....	D8/7
2006/0044790	A1	*	3/2006	Crawley	.....	362/153
2008/0266857	A1	*	10/2008	Cheng	.....	362/249
2008/0298064	A1	*	12/2008	Cheng	.....	362/250
2009/0297844	A1	*	12/2009	Samuelson	.....	428/343
2011/0033641	A1	*	2/2011	Tsai et al.	.....	428/8

\* cited by examiner

*Primary Examiner* — Stella Reid

*Assistant Examiner* — Elizabeth J Oswecki

(74) *Attorney, Agent, or Firm* — Crossley Patent Law; Mark A. Crossley

(56) **References Cited**

**U.S. PATENT DOCUMENTS**

1,755,234	A	*	4/1930	Westerfield	.....	206/443
4,158,408	A	*	6/1979	Thiessen	.....	206/443
D256,681	S	*	9/1980	Green	.....	D11/121
5,076,009	A	*	12/1991	Cibor	.....	47/40.5
5,894,695	A	*	4/1999	Stellatos	.....	47/40.5
D421,705	S	*	3/2000	Smith	.....	D8/83
D436,006	S	*	1/2001	DeMarino	.....	D8/1
D462,796	S	*	9/2002	Tsai	.....	D26/25
D464,159	S	*	10/2002	Peloquin	.....	D26/67
D469,669	S	*	2/2003	Sollitto	.....	D8/14
D478,404	S	*	8/2003	Wardlaw	.....	D1/106
D482,841	S	*	12/2003	Fok	.....	D1/101
D482,960	S	*	12/2003	Fok	.....	D9/643
D482,961	S	*	12/2003	Fok	.....	D9/643
D489,477	S	*	5/2004	Maldonaldo	.....	D26/156
6,789,920	B2	*	9/2004	Liou	.....	362/219
D509,041	S	*	9/2005	Larkin	.....	D1/101
D534,479	S	*	1/2007	Valeri	.....	D12/400

(57) **CLAIM**

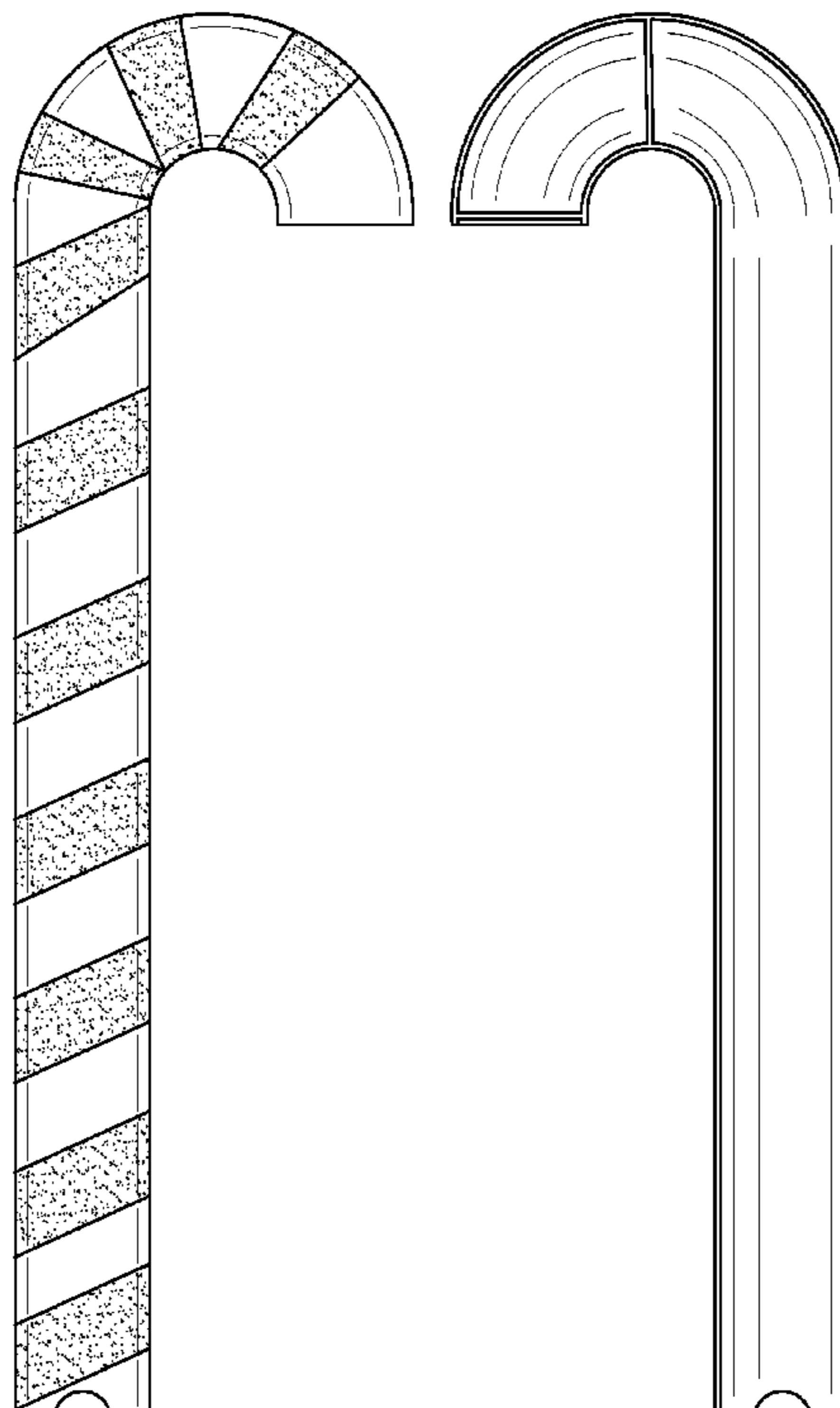
The ornamental design for a Christmas tree watering device, as shown and described.

**DESCRIPTION**

FIG. 1 is a bottom plan view of a Christmas tree watering device showing my new design; FIG. 2 is a top plan view thereof; FIG. 3 is a right elevation view thereof; FIG. 4 is a left elevation view thereof; FIG. 5 is a front elevation view thereof; FIG. 6 is a rear elevation view thereof; and, FIG. 7 is an isometric view thereof.

The broken lines in FIG. 7 depict environmental subject matter only and form no part of the claimed design.

**1 Claim, 3 Drawing Sheets**



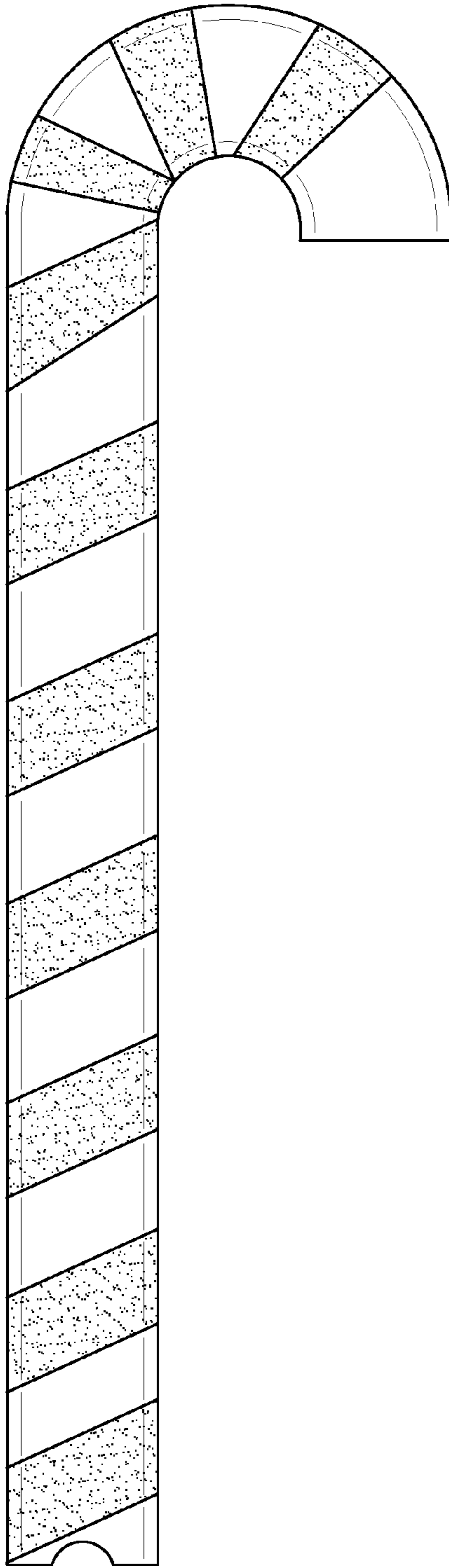


FIG. 1



FIG. 2



FIG. 3

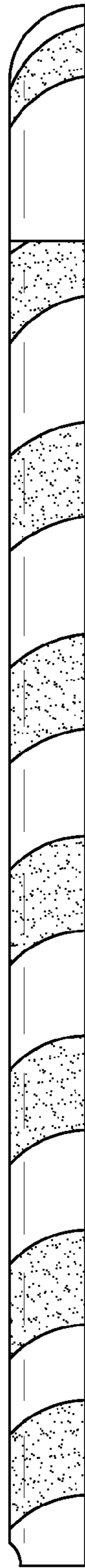


FIG. 4

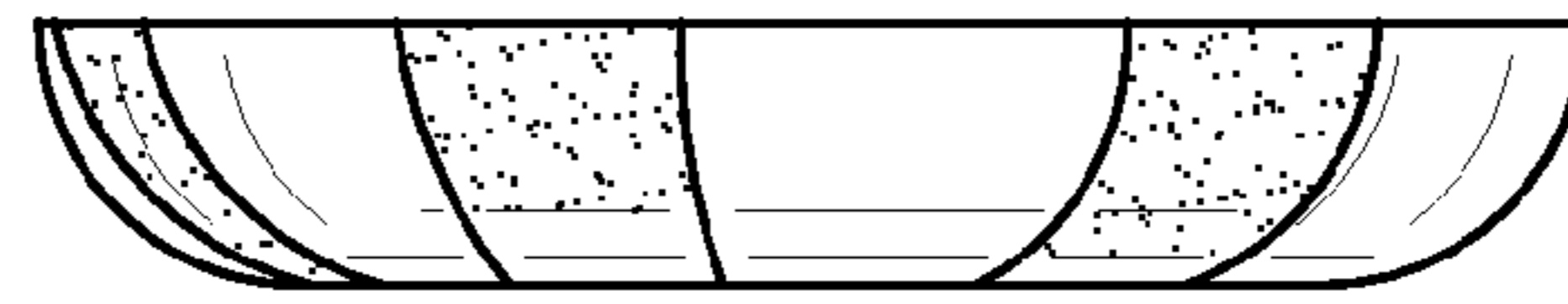


FIG. 5

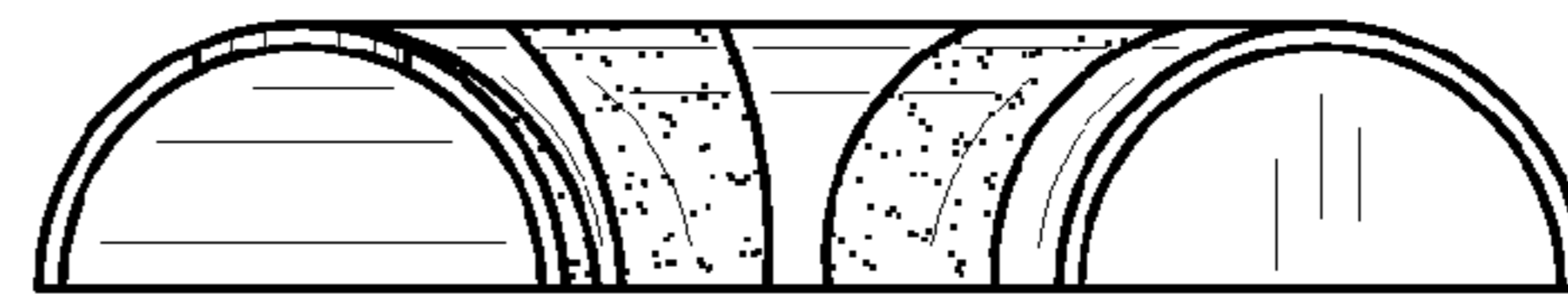


FIG. 6

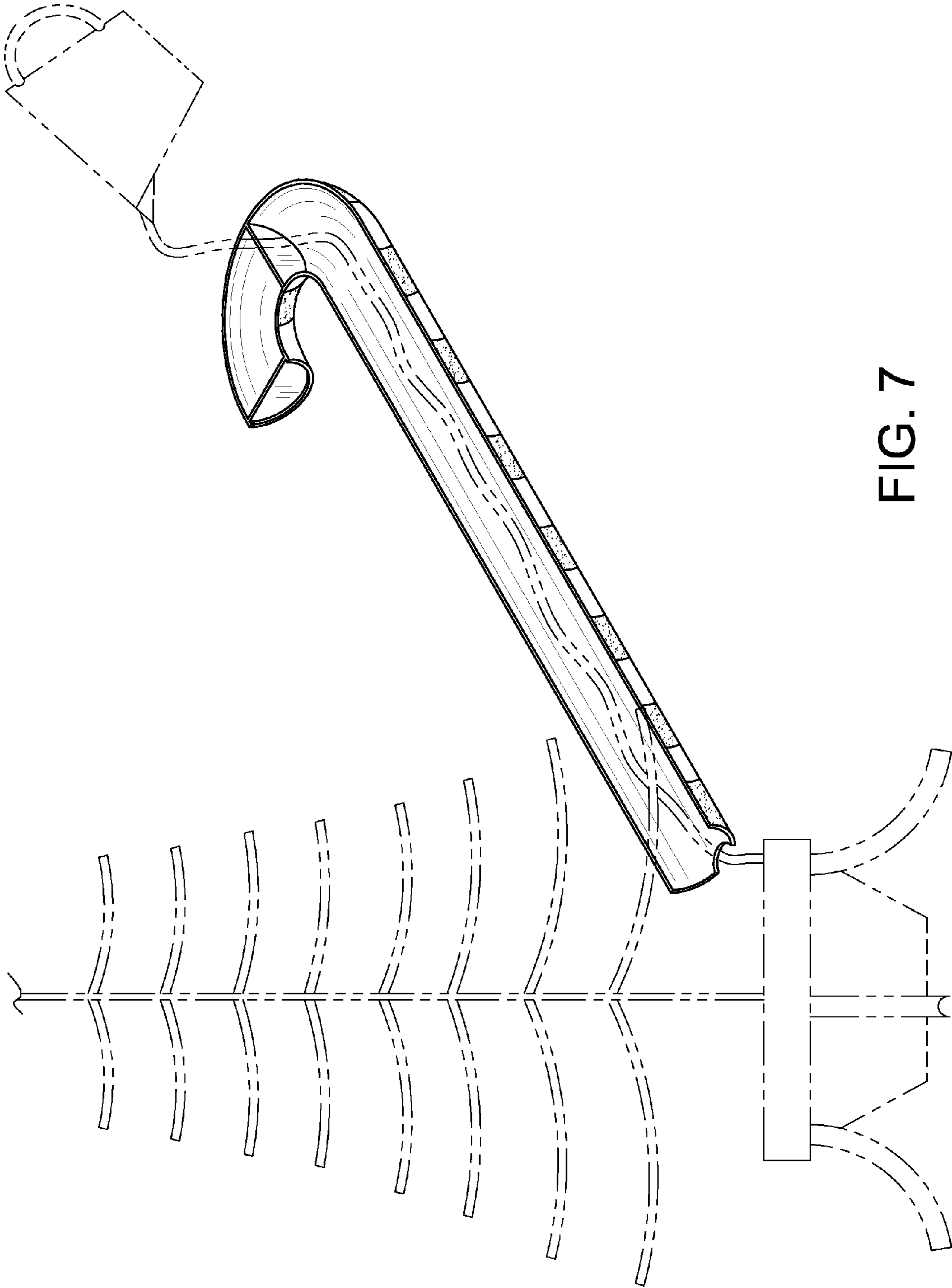


FIG. 7