



US00D640946S

(12) **United States Design Patent**  
**Martin**

(10) **Patent No.:** **US D640,946 S**

(45) **Date of Patent:** **\*\* Jul. 5, 2011**

(54) **BARLIGHT**

(75) Inventor: **Richard W. Martin**, San Antonio, TX  
(US)

(73) Assignee: **Lightstick Partners, LLC**, San Antonio,  
TX (US)

(\*\*) Term: **14 Years**

(21) Appl. No.: **29/372,458**

(22) Filed: **Nov. 23, 2010**

(51) **LOC (9) Cl.** ..... **10-05**

(52) **U.S. Cl.** ..... **D10/114.3**

(58) **Field of Classification Search** ..... D10/114,  
D10/111; D26/28, 35, 80-86; 362/542,  
362/493, 480; 340/468; 315/309; 126/360.2  
See application file for complete search history.

(56) **References Cited**

U.S. PATENT DOCUMENTS

D102,293 S \* 12/1936 Smith ..... D10/111  
4,237,858 A \* 12/1980 Goodnight et al. .... 126/360.2  
D442,106 S \* 5/2001 Stein et al. .... D10/114

D578,681 S \* 10/2008 Huang ..... D26/28  
D614,986 S \* 5/2010 Shin ..... D10/114  
2009/0200966 A1\* 8/2009 Whitehouse et al. .... 315/309

\* cited by examiner

*Primary Examiner* — Caron D Veynar

*Assistant Examiner* — George D Kirschbaum

(74) *Attorney, Agent, or Firm* — Christopher L. Makay

(57) **CLAIM**

The ornamental design for a barlight, as shown and described.

**DESCRIPTION**

FIG. 1 is a perspective view of the barlight according to my new design;

FIG. 2 is a top view thereof;

FIG. 3 is a front view thereof;

FIG. 4 is a left side view thereof;

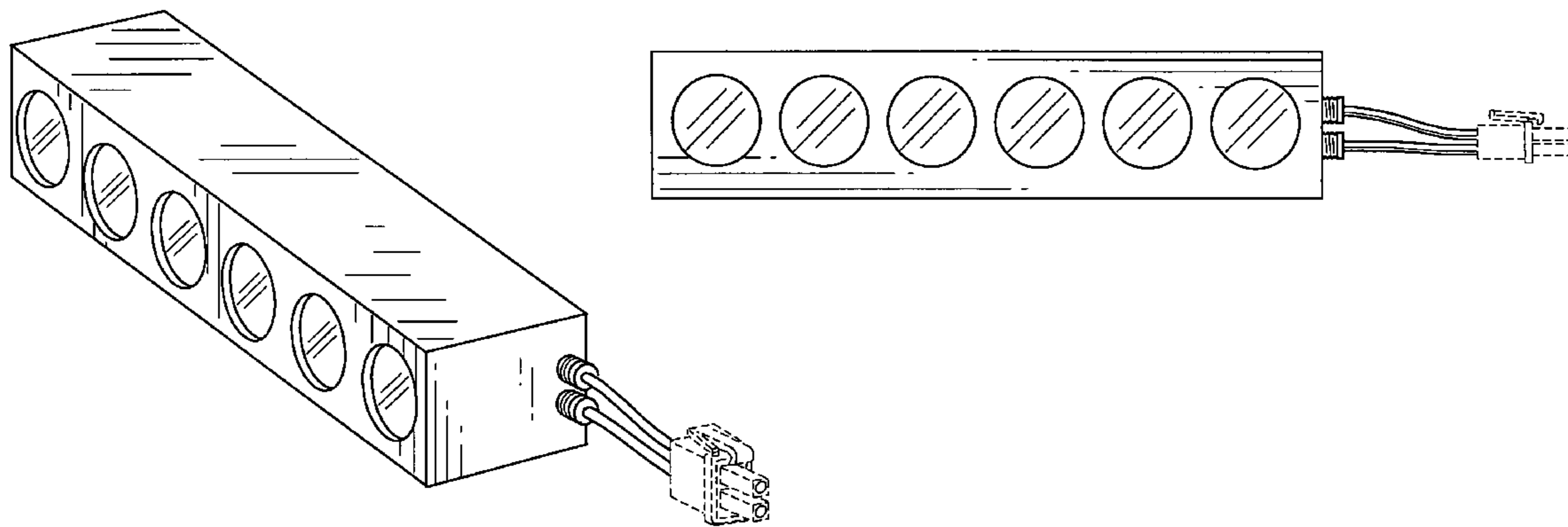
FIG. 5 is a right side view thereof;

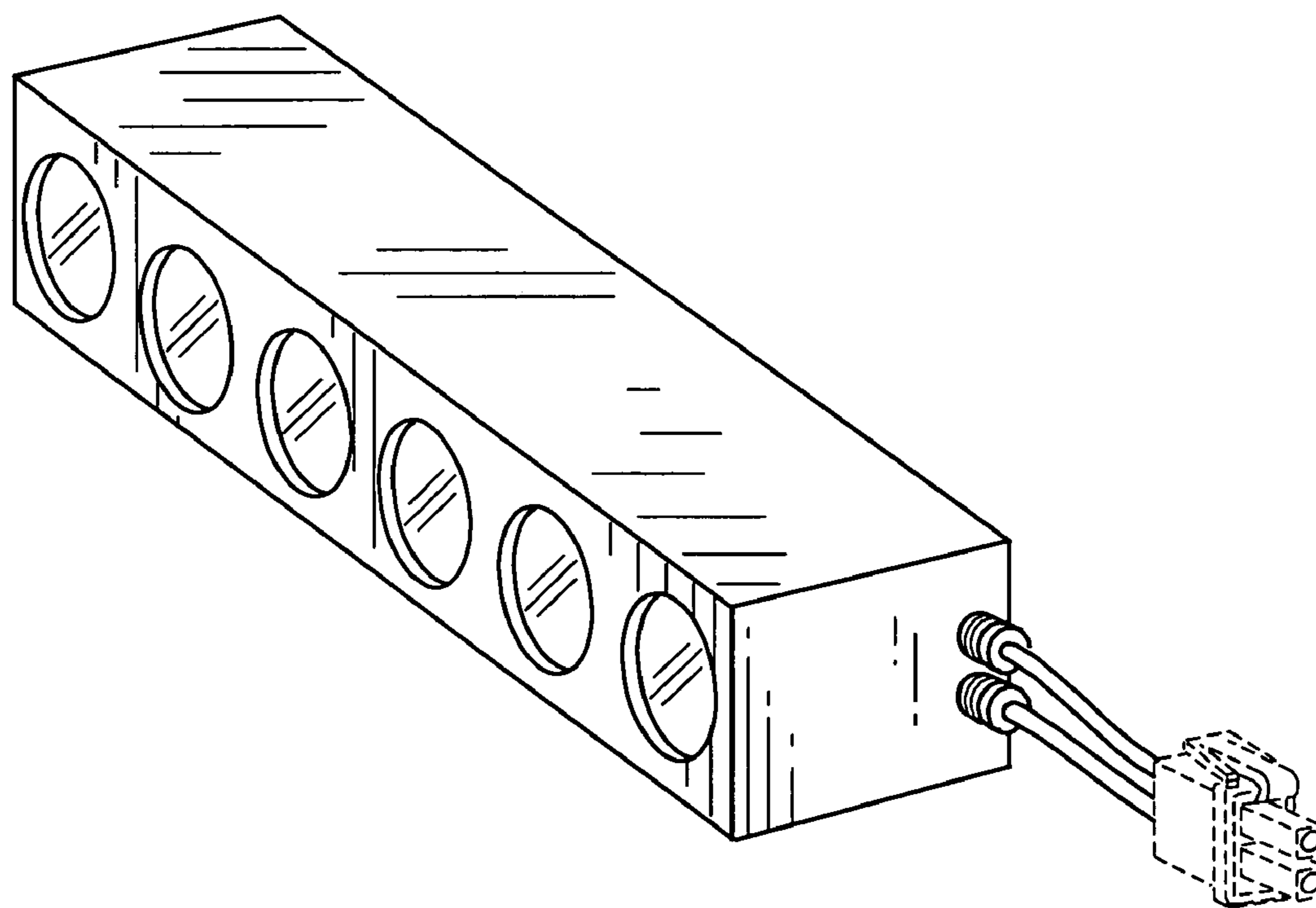
FIG. 6 is a rear view thereof; and,

FIG. 7 is a bottom view thereof.

In the drawings, the broken line showing of a connector plug depicts environmental subject matter and forms no part of the claim.

**1 Claim, 3 Drawing Sheets**





*Fig. 1*

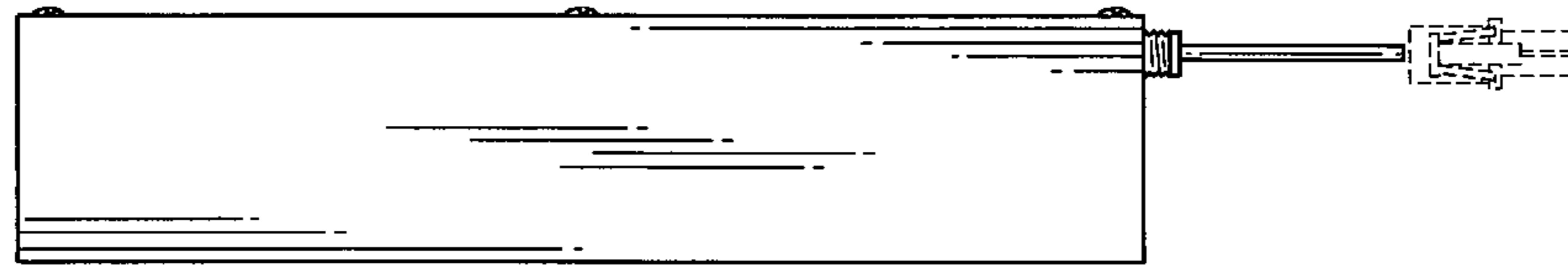


Fig. 2

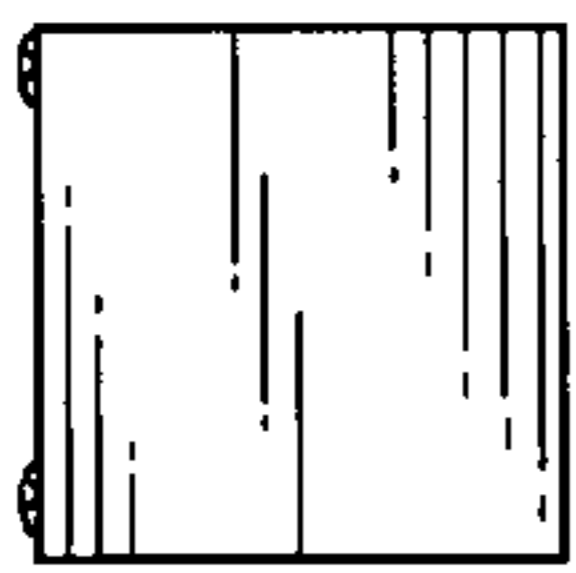


Fig. 4

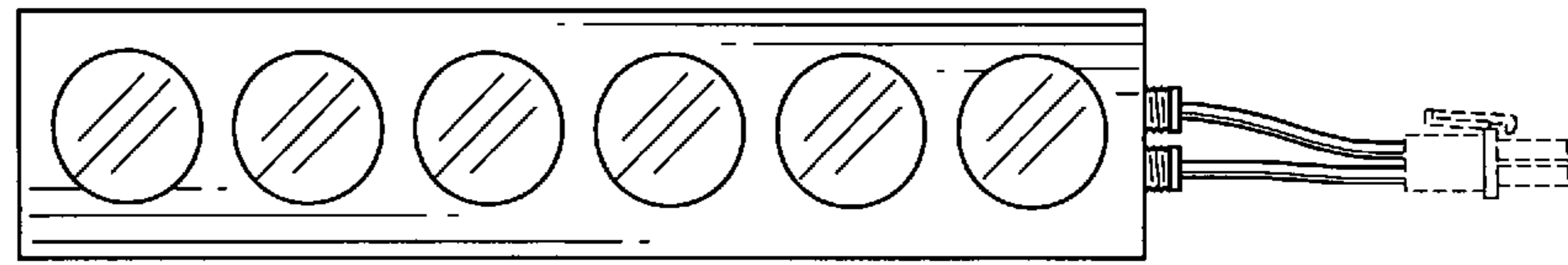


Fig. 3

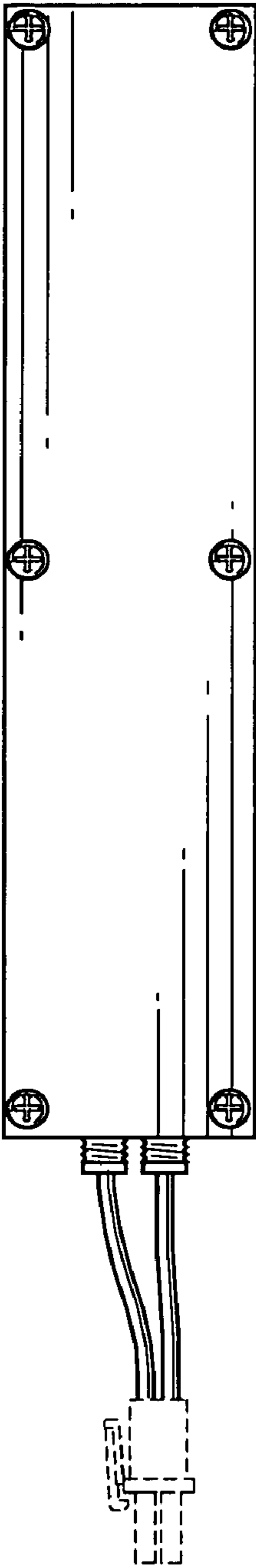


Fig. 6

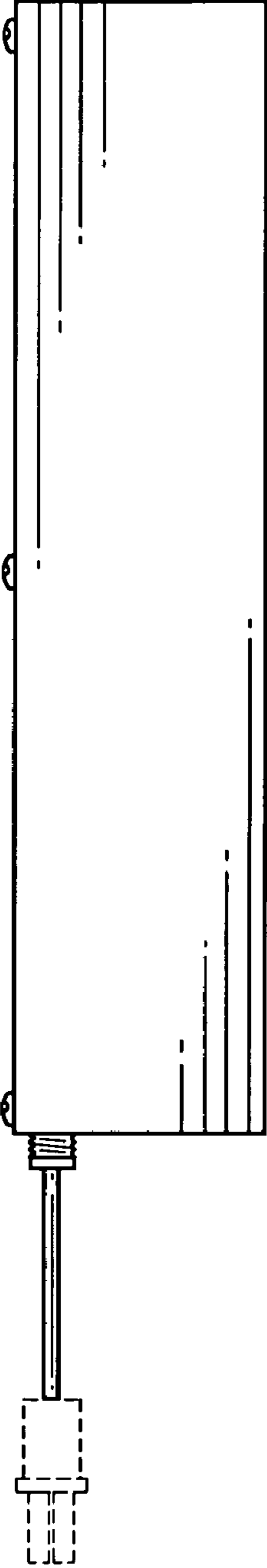


Fig. 7

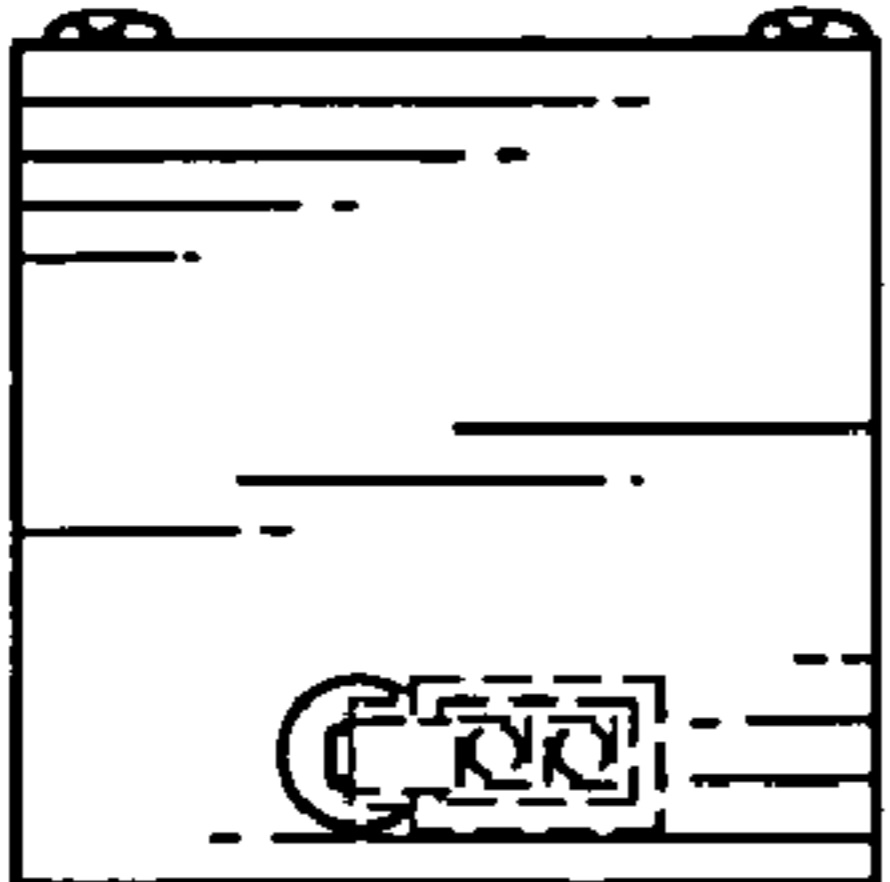


Fig. 5