



US00D640944S

(12) **United States Design Patent**
Elias

(10) **Patent No.:** **US D640,944 S**

(45) **Date of Patent:** **** *Jul. 5, 2011**

(54) **MEASURING ELEMENT**

(76) Inventor: **Lora Elias**, Cleveland, OH (US)

(*) Notice: This patent is subject to a terminal disclaimer.

(**) Term: **14 Years**

(21) Appl. No.: **29/340,281**

(22) Filed: **Jul. 16, 2009**

(51) **LOC (9) Cl.** **10-04**

(52) **U.S. Cl.** **D10/71; D10/65**

(58) **Field of Classification Search** D10/65,
D10/71; 33/173, 341, 418, 419, 420, 427,
33/428, 429, 447, 464, 474

See application file for complete search history.

(56) **References Cited**

U.S. PATENT DOCUMENTS

590,729 A * 9/1897 Norden 33/474
967,561 A * 8/1910 Robbins 33/429

1,270,464 A * 6/1918 Toomey et al. 33/419
D395,249 S * 6/1998 Lindstrom D10/65
6,260,283 B1 * 7/2001 Abernathy et al. 33/419
D589,648 S * 3/2009 Bakus D28/10

* cited by examiner

Primary Examiner — Antoine D Davis

(57) **CLAIM**

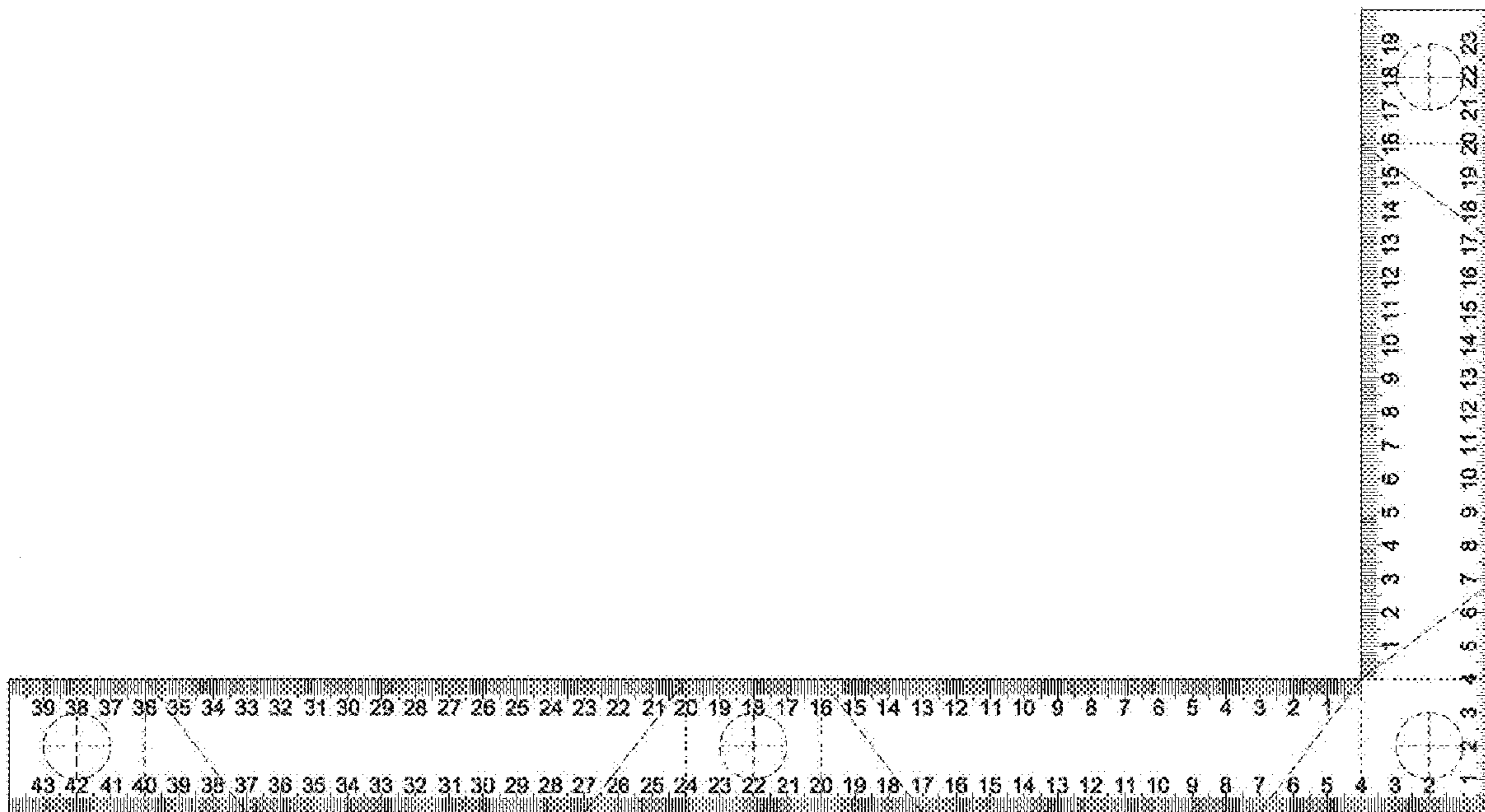
The ornamental design for a measuring element, as shown and described.

DESCRIPTION

FIG. 1 is a front view of an embodiment of a measuring element comprising my new design; and, FIG. 2 is a perspective view of the above embodiment of the measuring element.

The broken line showing of structural features is included for the purpose of illustrating claimed subject matter which forms apart of the claimed design.

1 Claim, 2 Drawing Sheets



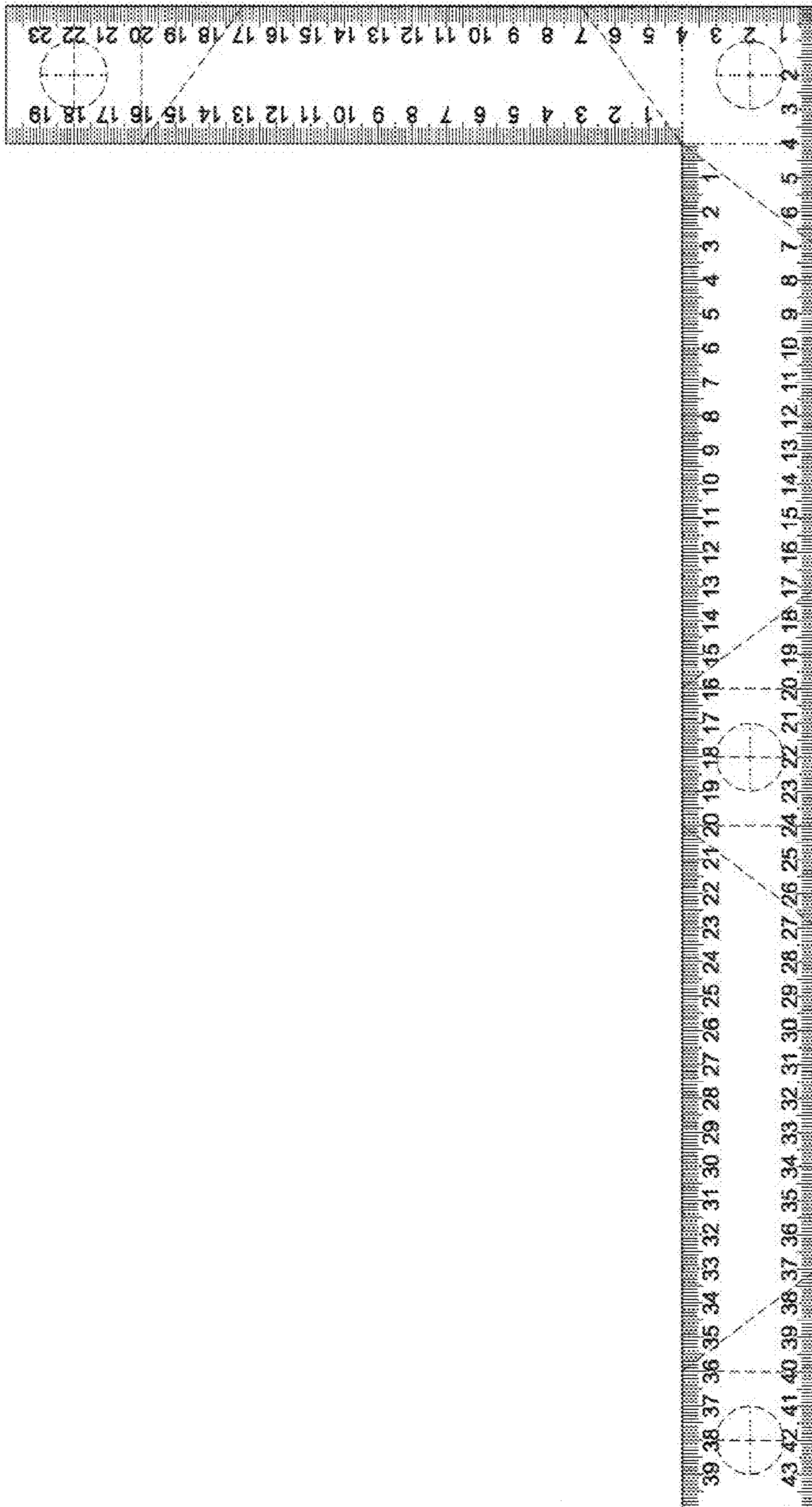


FIG. 1

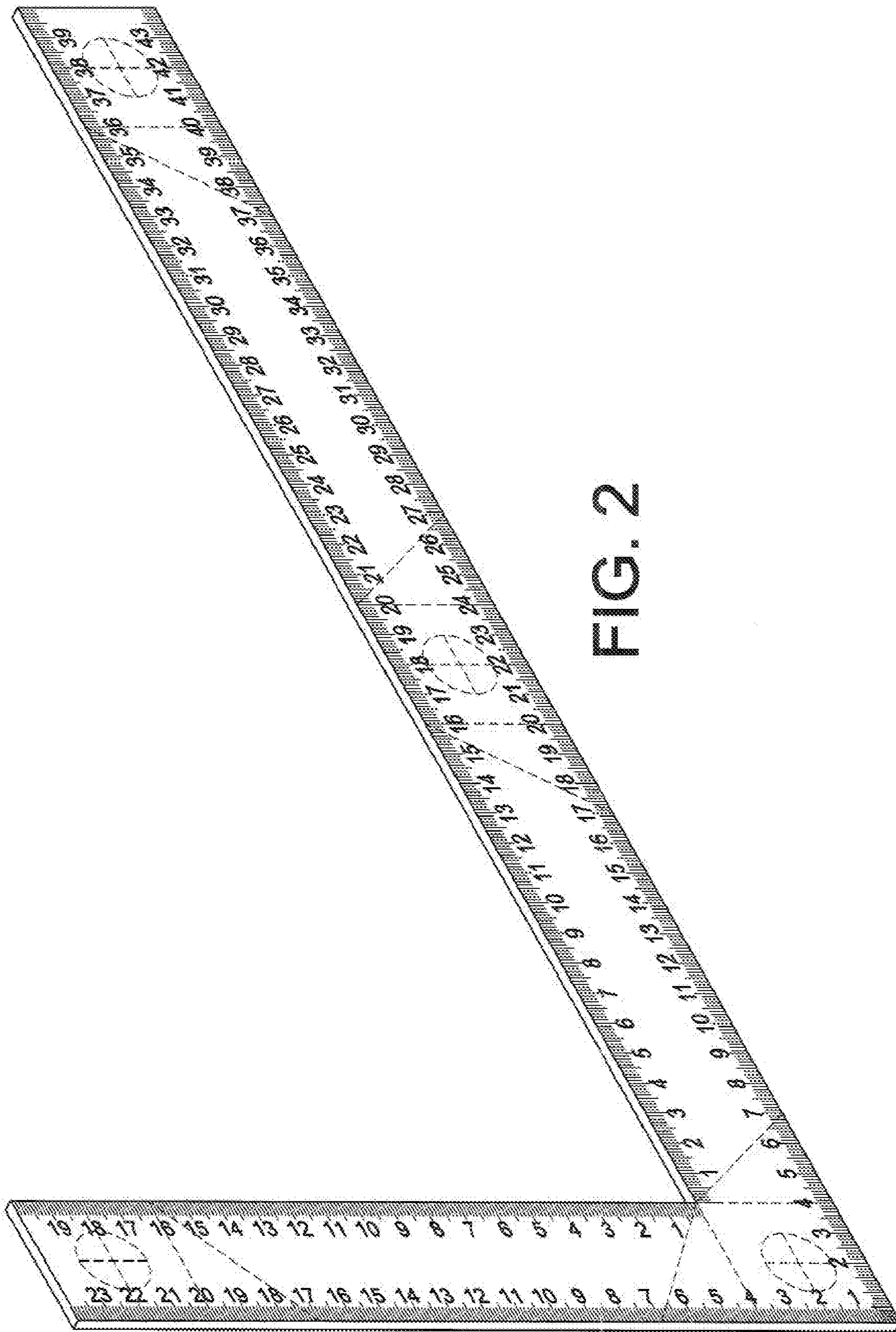


FIG. 2