



US00D640936S

(12) **United States Design Patent**  
**Teixeira**

(10) **Patent No.:** **US D640,936 S**

(45) **Date of Patent:** **\*\* Jul. 5, 2011**

(54) **COMBINED WATCH AND BRACELET**

(76) Inventor: **Teresa Teixeira**, Stockton, CA (US)

(\*\*) Term: **14 Years**

(21) Appl. No.: **29/382,338**

(22) Filed: **Jan. 1, 2011**

(51) **LOC (9) Cl.** ..... **10-02**

(52) **U.S. Cl.** ..... **D10/32**

(58) **Field of Classification Search** ..... D10/30-39;  
368/276, 281, 282, 285; D11/3, 4  
See application file for complete search history.

D567,111 S \* 4/2008 Pardoux ..... D10/31  
D629,703 S \* 12/2010 Giannini ..... D10/32  
D632,591 S \* 2/2011 Thevenaz ..... D10/32

\* cited by examiner

*Primary Examiner* — Lucy Lieberman

(57) **CLAIM**

The ornamental design for an combined watch and bracelet, as shown and described.

**DESCRIPTION**

FIG. 1 is a front perspective view of the combined watch and bracelet;

FIG. 2 is a back perspective view of the combined watch and bracelet;

FIG. 3 is a front elevational view of the combined watch and bracelet;

FIG. 4 is a back elevational view of the combined watch and bracelet;

FIG. 5 is a top plan view of the combined watch and bracelet;

FIG. 6 is a bottom plan view of the combined watch and bracelet;

FIG. 7 is a left side elevational view of the combined watch and bracelet; and,

FIG. 8 is a right side elevational view of the combined watch and bracelet.

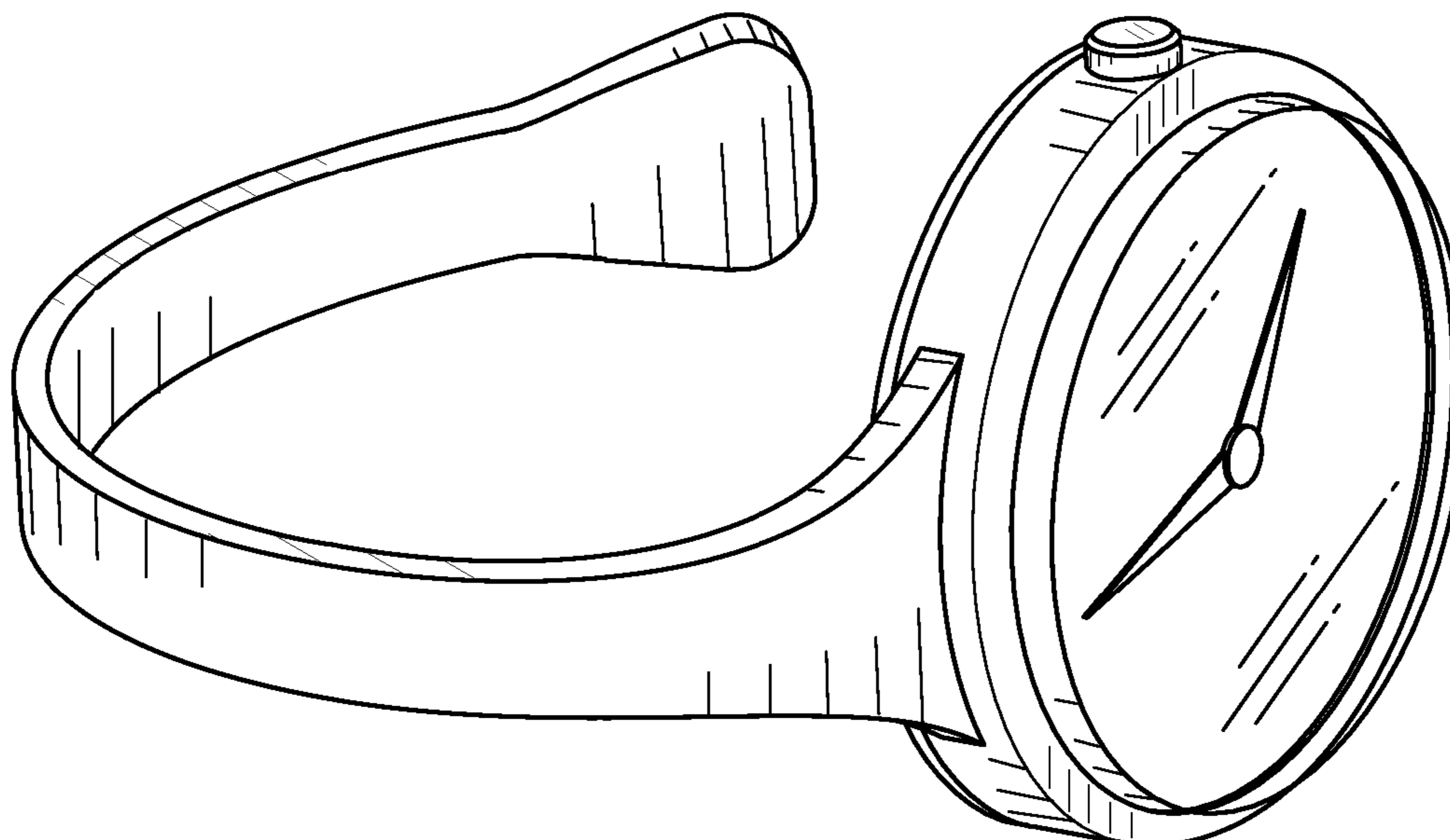
The broken lines in FIG. 2 are used to show a portion of the combined watch and bracelet that does not form part of the claimed design.

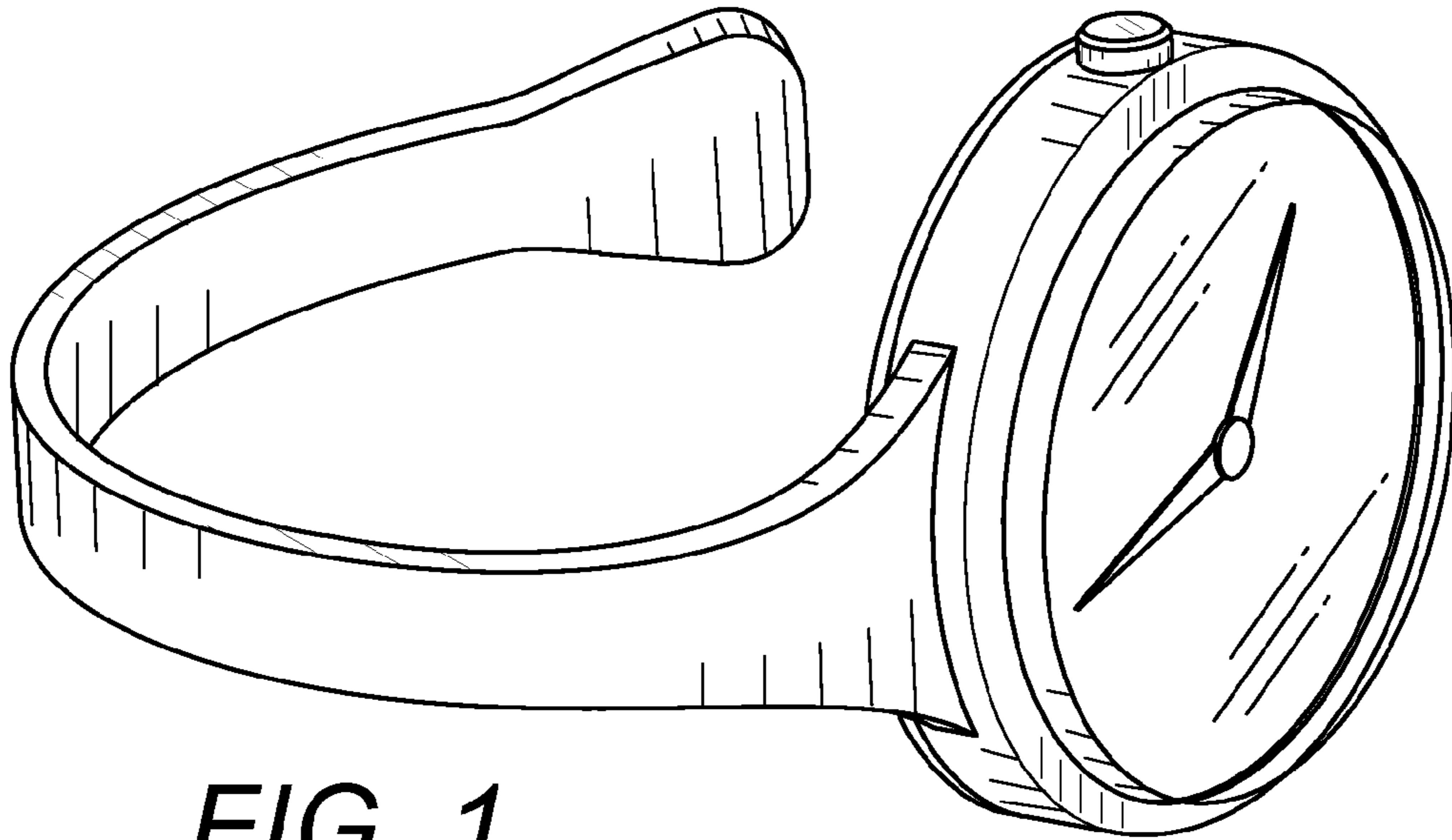
**1 Claim, 4 Drawing Sheets**

(56) **References Cited**

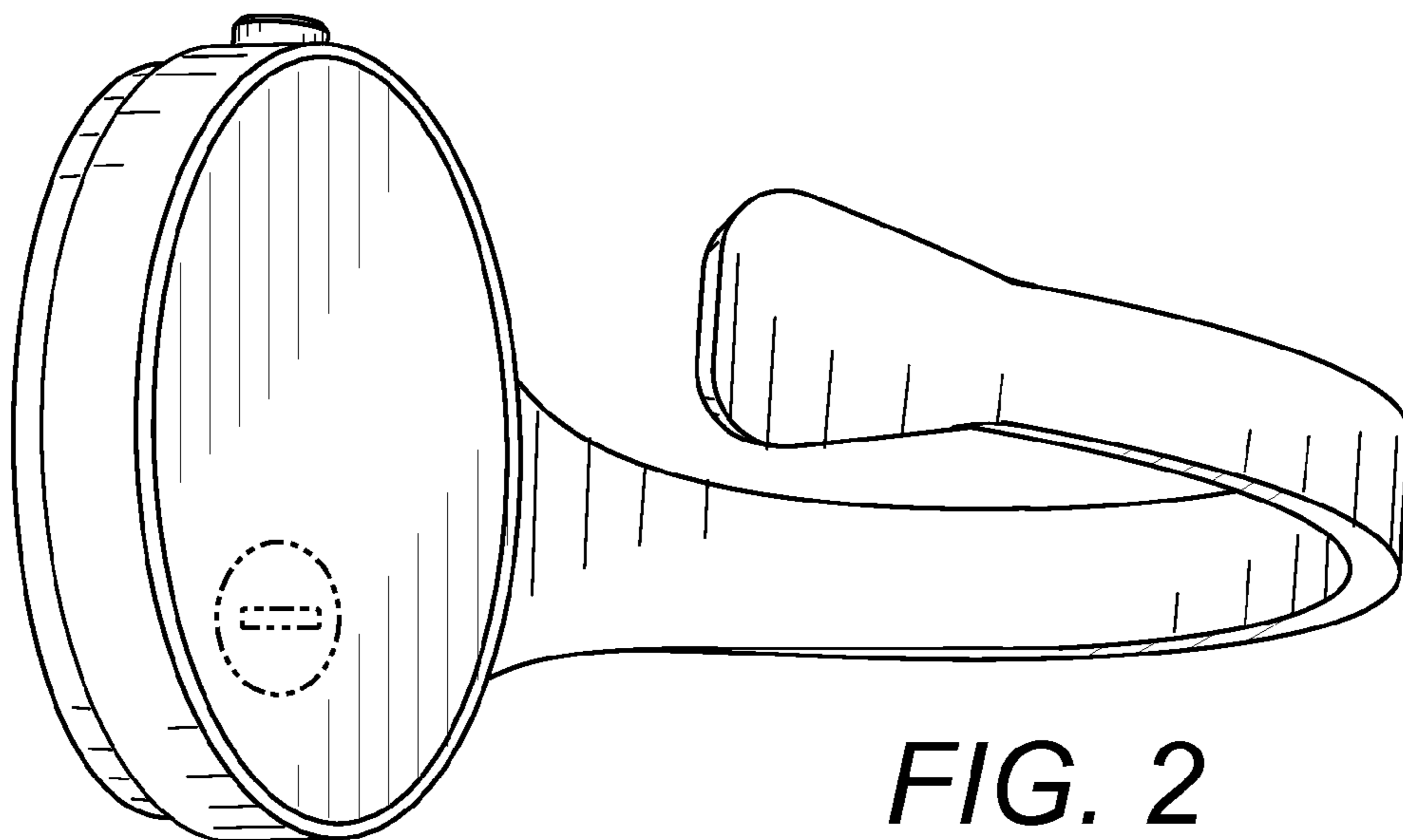
**U.S. PATENT DOCUMENTS**

D119,638	S	*	3/1940	Ornstein	.....	D10/32
2,472,351	A	*	6/1949	Tyler	.....	368/282
2,590,572	A	*	3/1952	Rasmussen	.....	224/170
D186,818	S	*	12/1959	Gale	.....	D10/32
2,925,706	A	*	2/1960	Morf	.....	368/281
D224,913	S	*	10/1972	Maroni	.....	D10/32
D238,413	S	*	1/1976	Blanchard	.....	D10/38
D296,766	S	*	7/1988	Pavlovic	.....	D10/32
D310,050	S	*	8/1990	Merritt	.....	D11/3
D314,153	S	*	1/1991	Ratajski	.....	D10/32
D446,461	S	*	8/2001	Wunderman	.....	D10/32
D480,653	S	*	10/2003	Lo	.....	D10/32
D497,812	S	*	11/2004	Modolo	.....	D10/32
D510,037	S	*	9/2005	Modolo	.....	D10/32
D511,978	S	*	11/2005	Wilson	.....	D10/32
D567,110	S	*	4/2008	Pardoux	.....	D10/31

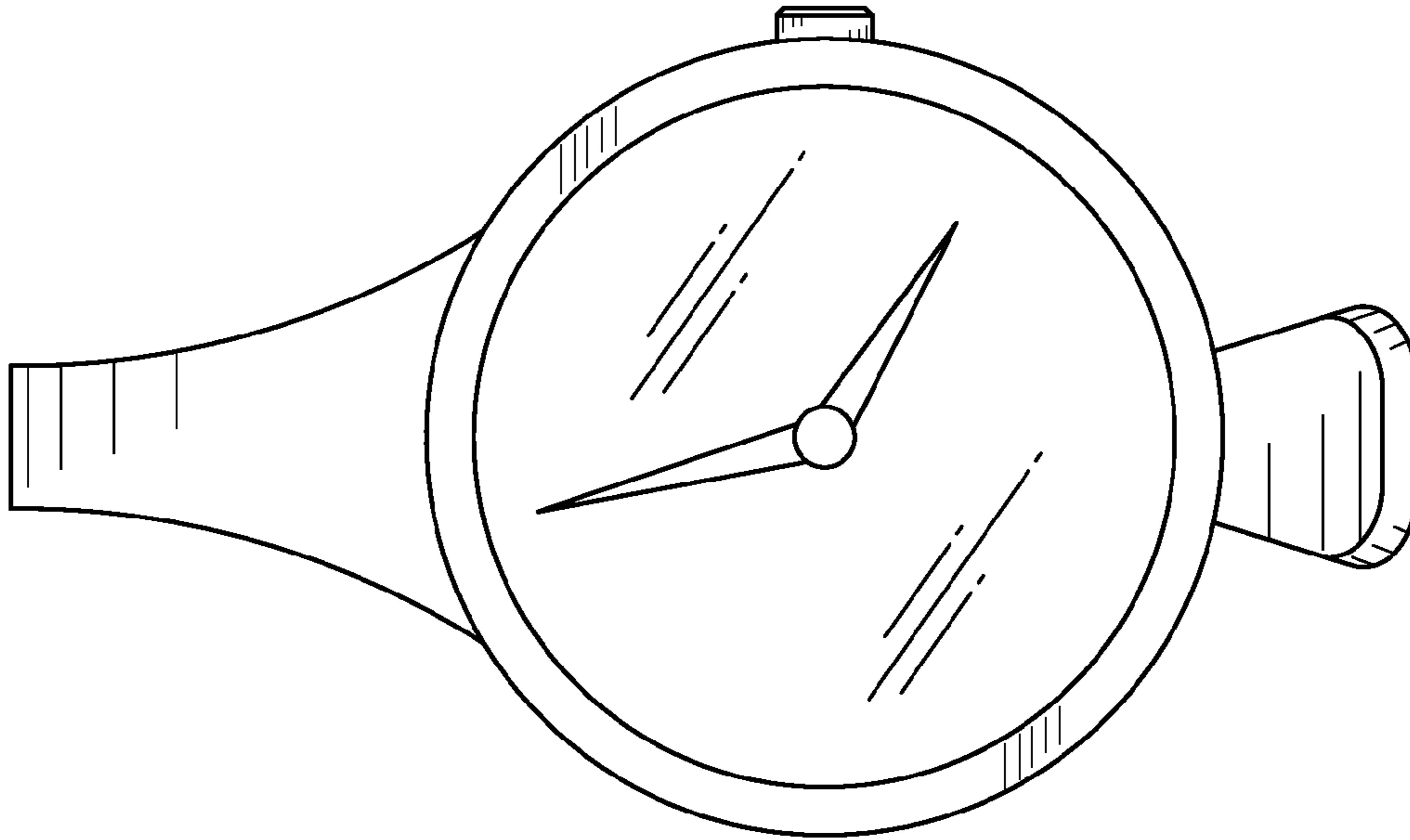




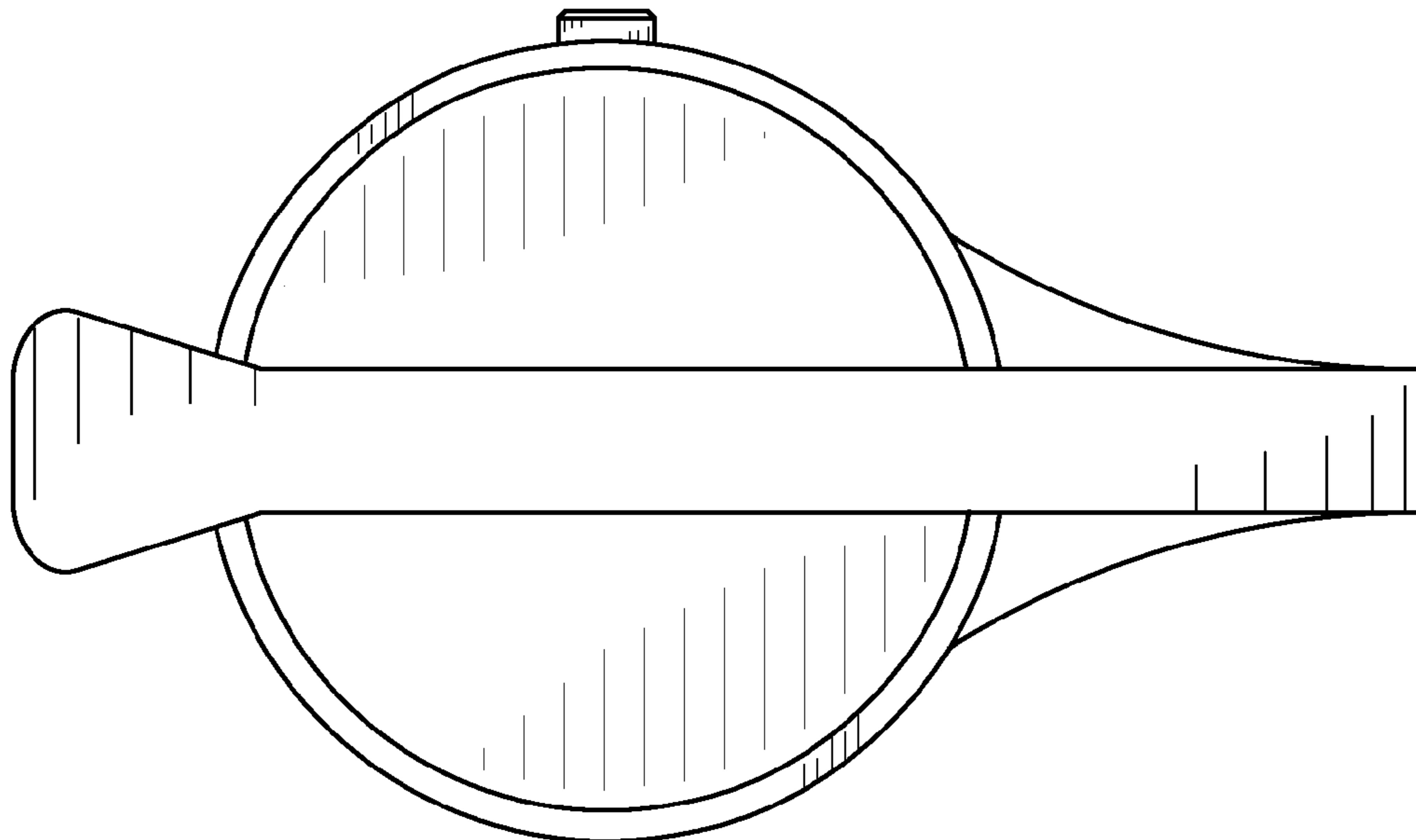
**FIG. 1**



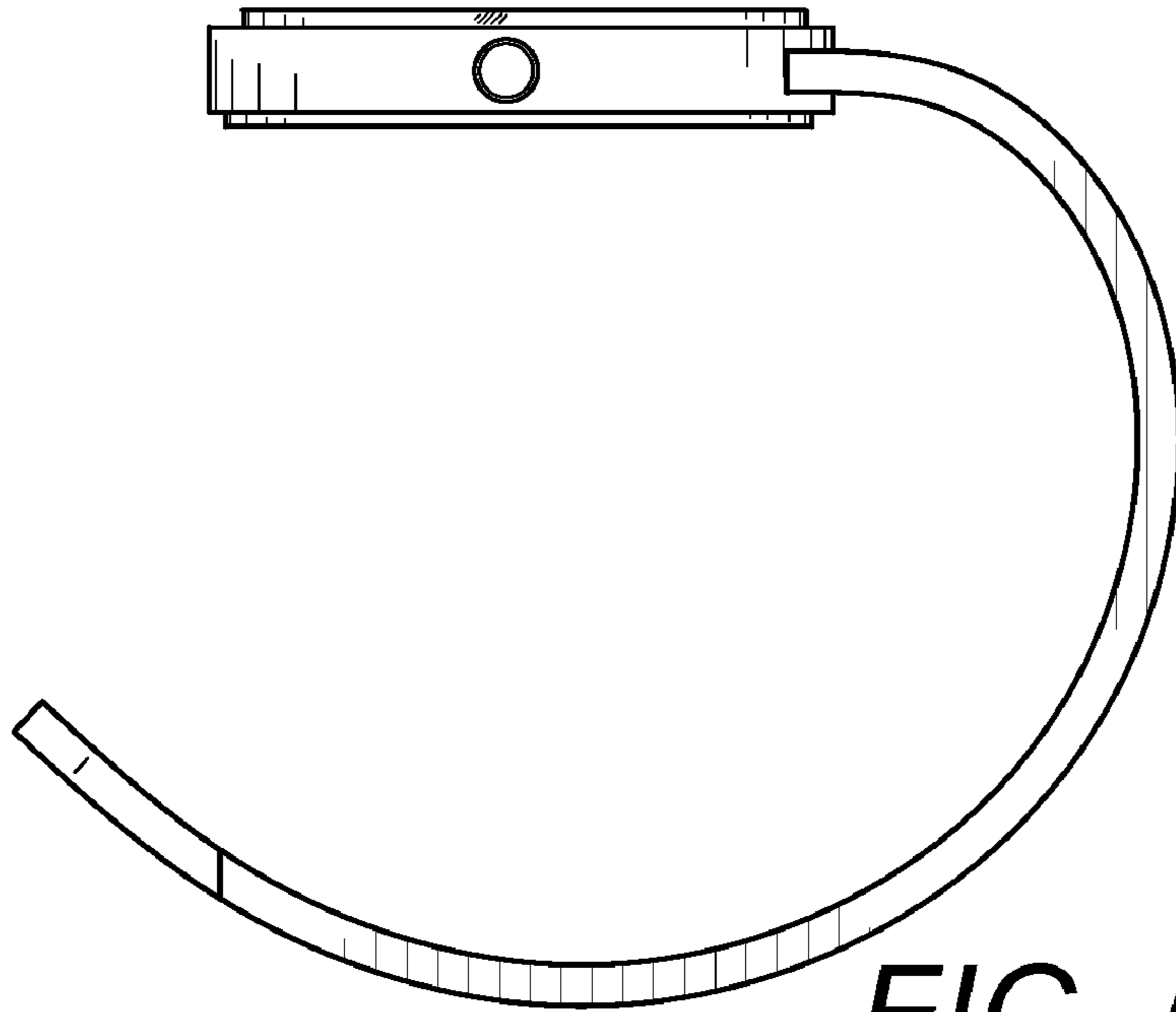
**FIG. 2**



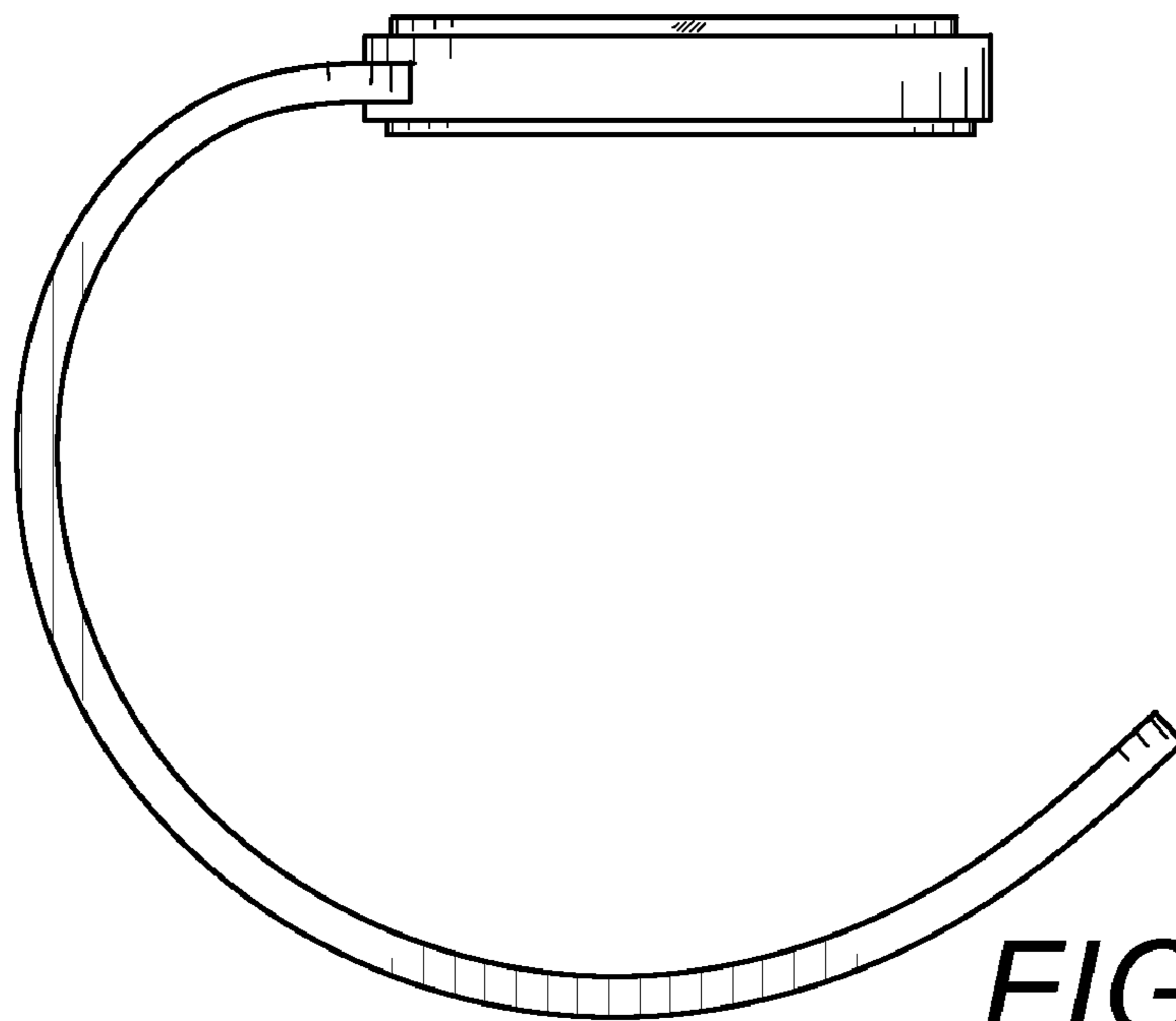
**FIG. 3**



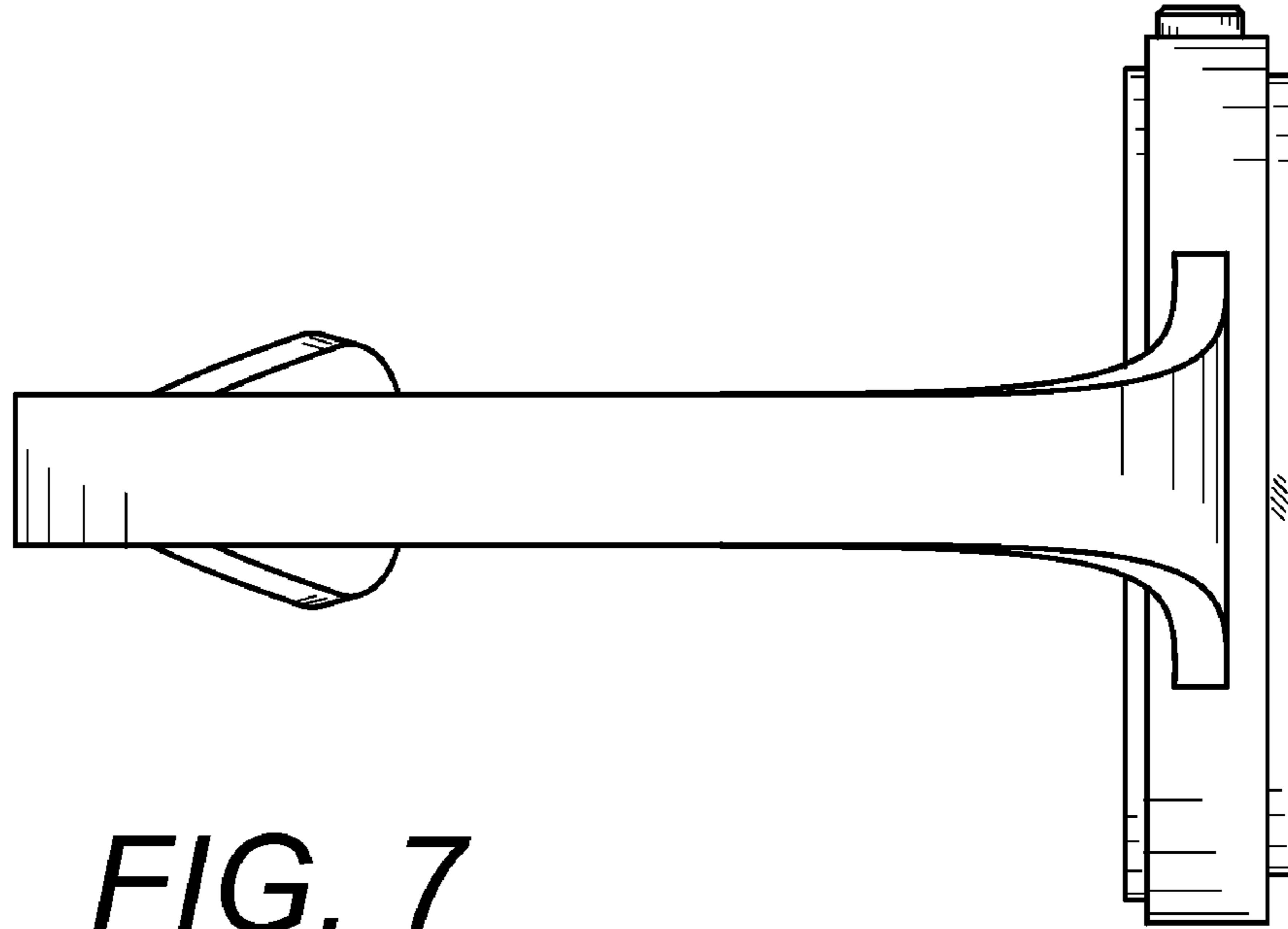
**FIG. 4**



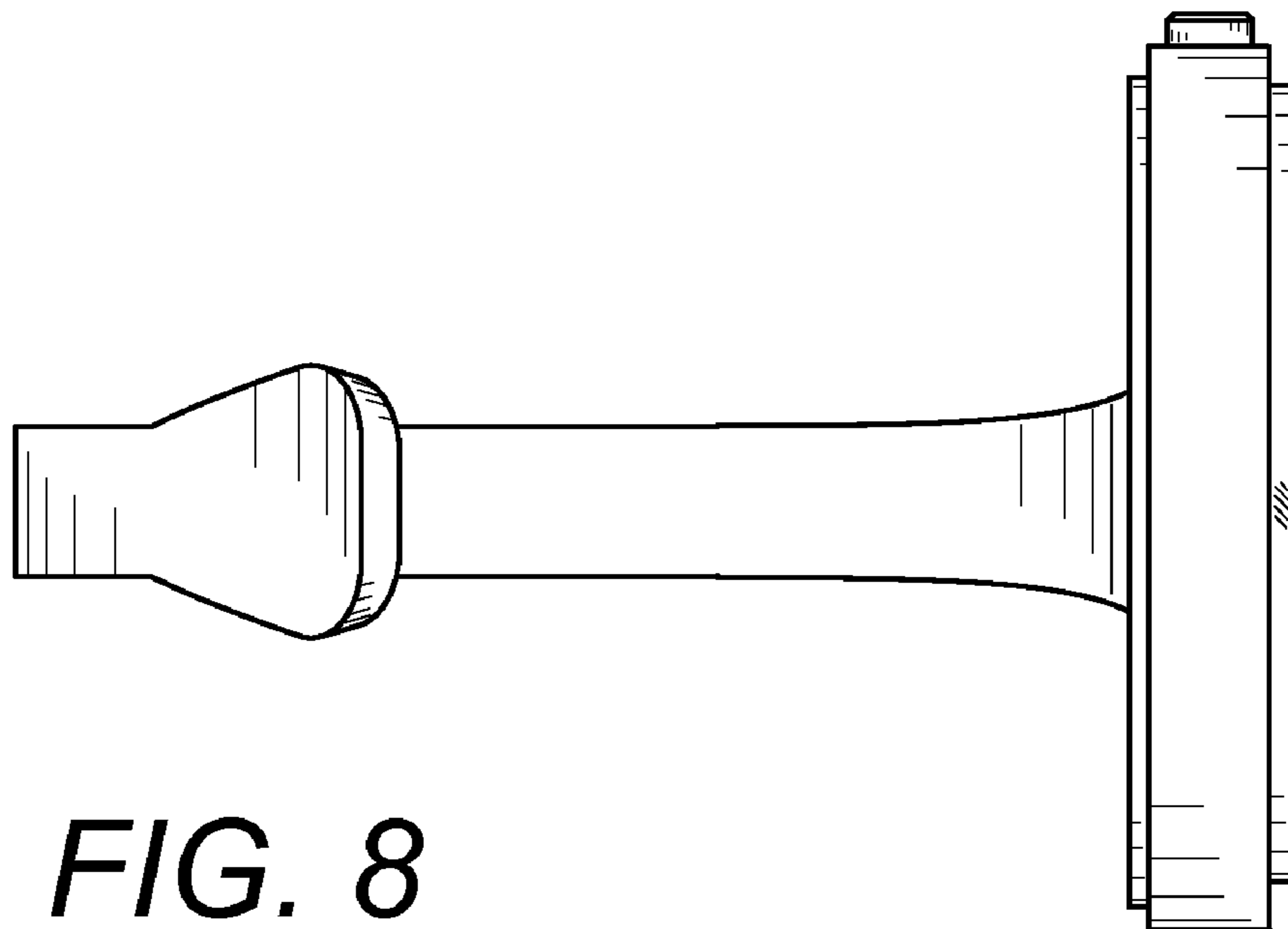
**FIG. 5**



**FIG. 6**



*FIG. 7*



*FIG. 8*