



US00D640927S

(12) **United States Design Patent**
Seum et al.

(10) **Patent No.:** **US D640,927 S**

(45) **Date of Patent:** **** *Jul. 5, 2011**

(54) **BOTTLE**

(75) Inventors: **Michael Thomas Seum**, Cincinnati, OH (US); **Andrew William Taylor**, Cincinnati, OH (US); **Gary Michael Ferguson**, Tallmadge, OH (US); **James Christopher Dorn**, Norton, OH (US)

(73) Assignee: **The Procter & Gamble Company**, Cincinnati, OH (US)

(**) Term: **14 Years**

(21) Appl. No.: **29/286,003**

(22) Filed: **Apr. 19, 2007**

(51) **LOC (9) Cl.** **09-01**

(52) **U.S. Cl.** **D9/552; D9/520; D9/574**

(58) **Field of Classification Search** D9/516,
D9/520, 521, 529, 549, 558, 571, 572, 434-436,
D9/452-454, 552, 574; 215/379, 382-385
See application file for complete search history.

(56) **References Cited**

U.S. PATENT DOCUMENTS

D193,636 S *	9/1962	Anderson	D9/570
D236,802 S *	9/1975	McDonald	D9/558
D242,126 S *	11/1976	Morea	D9/558
4,247,012 A *	1/1981	Alberghini	215/373
D276,501 S *	11/1984	Pardo	D9/571
D308,484 S *	6/1990	Browton	D9/550
D318,421 S *	7/1991	Bertholon	D9/545
D335,259 S *	5/1993	Waine	D9/574
D336,614 S *	6/1993	Crawford	D9/529
D366,620 S *	1/1996	Kuzma et al.	D9/542
D403,959 S *	1/1999	Flancman	D9/434
D463,983 S *	10/2002	Wendt et al.	D9/558
D463,984 S *	10/2002	Kokubo et al.	D9/558
D480,309 S *	10/2003	Choke-arpornchai	D9/522
		et al.	D9/522
D502,110 S *	2/2005	Theunynck	D9/550
D528,004 S *	9/2006	Ratzlaff	D9/516
D530,215 S *	10/2006	Brown et al.	D9/558
D538,163 S *	3/2007	de Mourgues	D9/505
D538,174 S *	3/2007	Isono et al.	D9/565
D538,665 S *	3/2007	Wilson et al.	D9/522
D538,673 S *	3/2007	Sterling et al.	D9/552

D538,674 S *	3/2007	Sterling et al.	D9/552
D542,663 S *	5/2007	Dziersk et al.	D9/522
D550,564 S *	9/2007	Spencer	D9/558
D554,516 S *	11/2007	Rica	D9/558
D565,420 S *	4/2008	Adamson et al.	D9/556
D565,954 S *	4/2008	Adamson et al.	D9/516
D569,259 S *	5/2008	Darr et al.	D9/552

(Continued)

Primary Examiner — Stella Reid

Assistant Examiner — Keli L Hill

(74) *Attorney, Agent, or Firm* — Amy I Ahn-Roll; Leonard W. Lewis

(57) **CLAIM**

The ornamental design for a bottle, as shown and described.

DESCRIPTION

FIG. 1 is a perspective view of one embodiment of a bottle, showing our new design;

FIG. 2 is a front elevational view thereof;

FIG. 3 is a rear elevational view thereof;

FIG. 4 is a side elevational view thereof;

FIG. 5 is an opposite side elevational view thereof;

FIG. 6 is a top view thereof;

FIG. 7 is a bottom view thereof;

FIG. 8 is a cross-sectional view thereof, taken along line 8—8;

FIG. 9 is a perspective view of a second embodiment of a bottle, showing our new design;

FIG. 10 is a front elevational view thereof;

FIG. 11 is a rear elevational view thereof;

FIG. 12 is a side elevational view thereof;

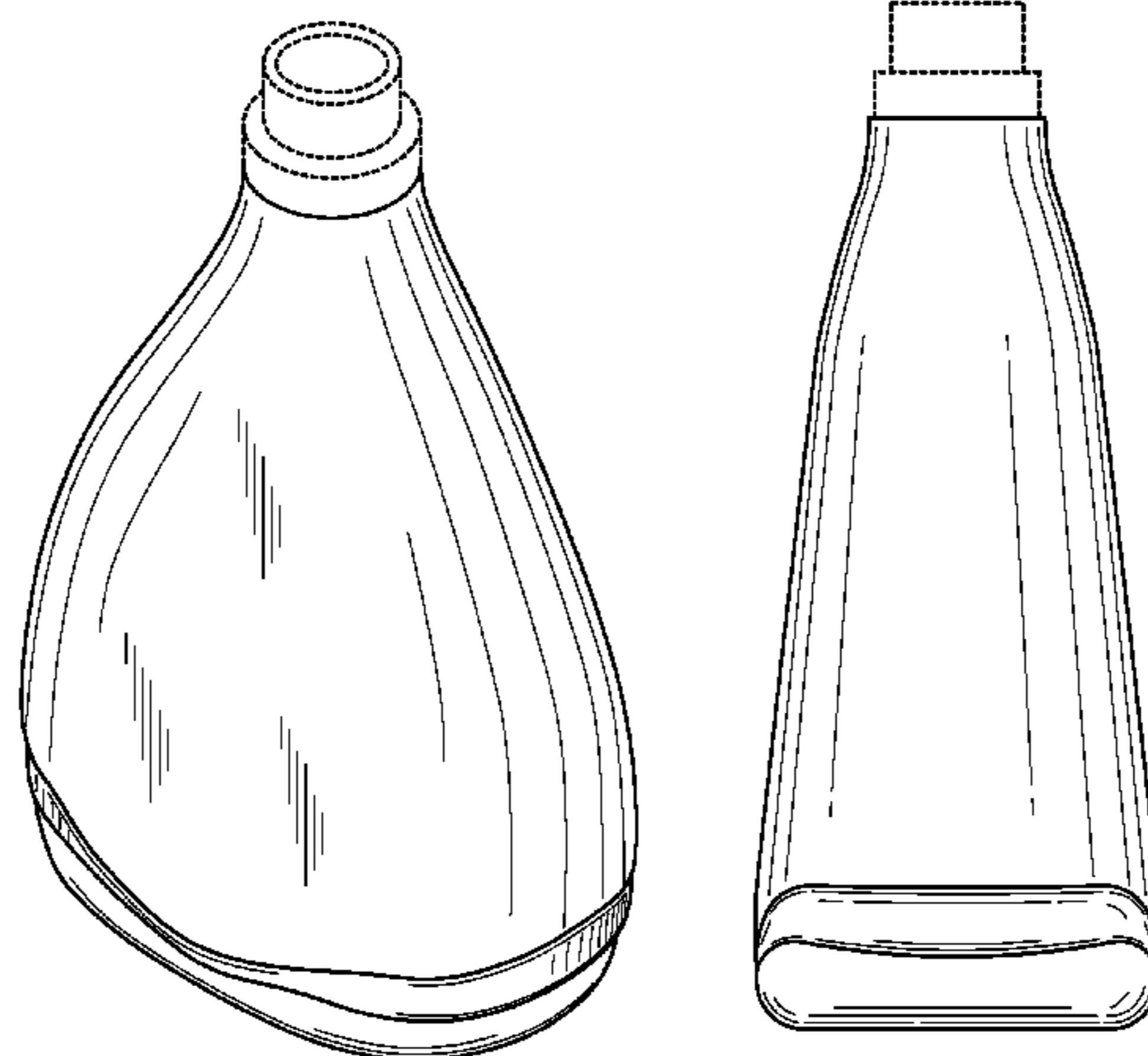
FIG. 13 is an opposite side elevational view thereof.

FIG. 14 is a top view thereof; and,

FIG. 15 is a bottom view thereof.

The broken lines shown in the center of FIGS. 9-15 represent the boundaries of the claimed design and indicate that a specific length and width forms no part of the claimed design. All other broken lines are included for the purpose of illustrating the unclaimed portions of the article and form no part of the claim.

1 Claim, 14 Drawing Sheets



US D640,927 S

Page 2

U.S. PATENT DOCUMENTS

D570,702 S *	6/2008	Adamson et al.	D9/558	D607,734 S *	1/2010	Kuzma et al.	D9/539
D582,782 S *	12/2008	Toson	D9/552	D613,176 S *	4/2010	Gameros et al.	D9/558
D598,289 S *	8/2009	Taylor	D9/520	D614,038 S *	4/2010	Chelles	D9/529
D602,361 S *	10/2009	Klein	D9/516	D619,010 S *	7/2010	Wasson et al.	D9/538
D604,617 S *	11/2009	Shearsby et al.	D9/516	D621,263 S *	8/2010	Toh et al.	D9/516

* cited by examiner

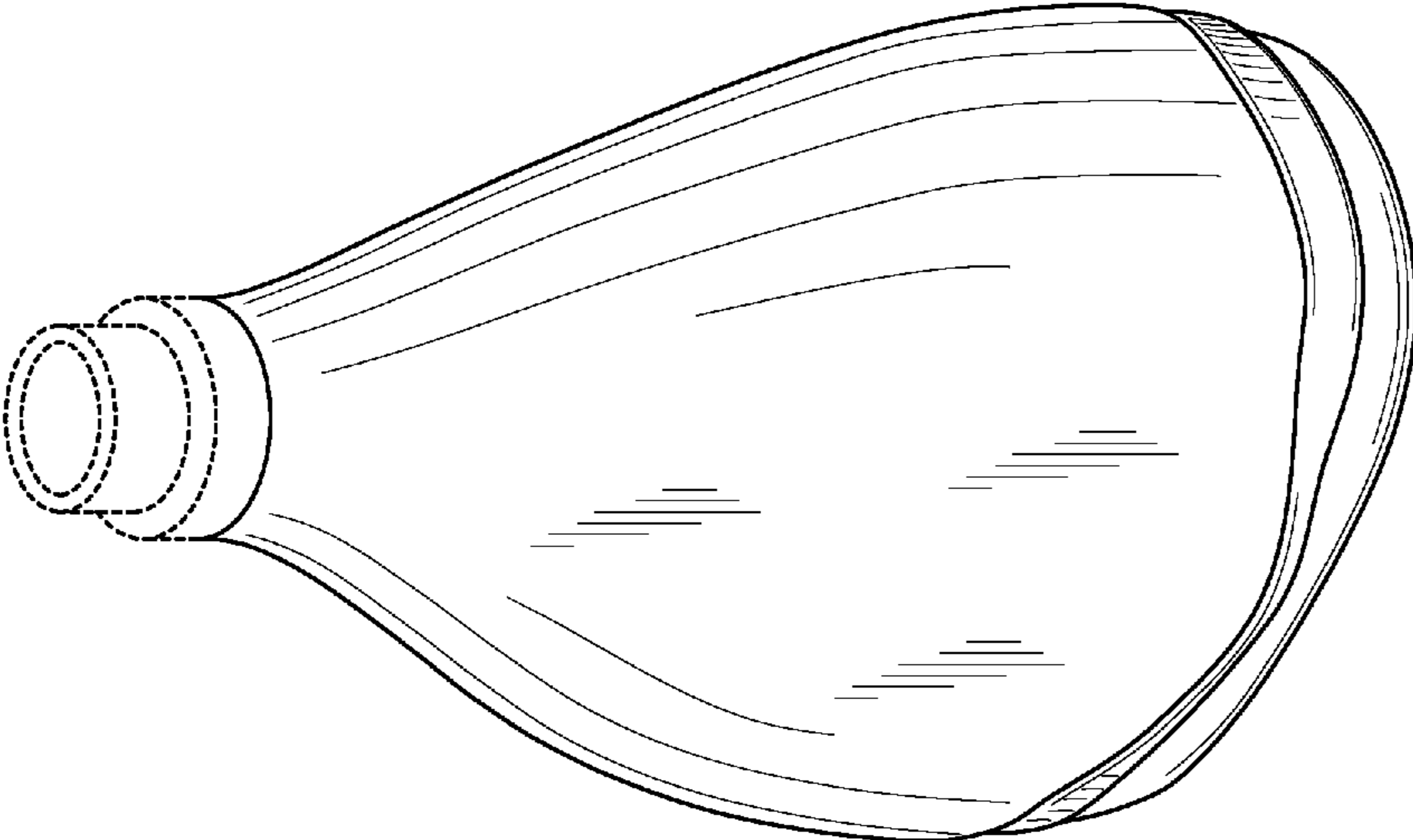


Fig. 1

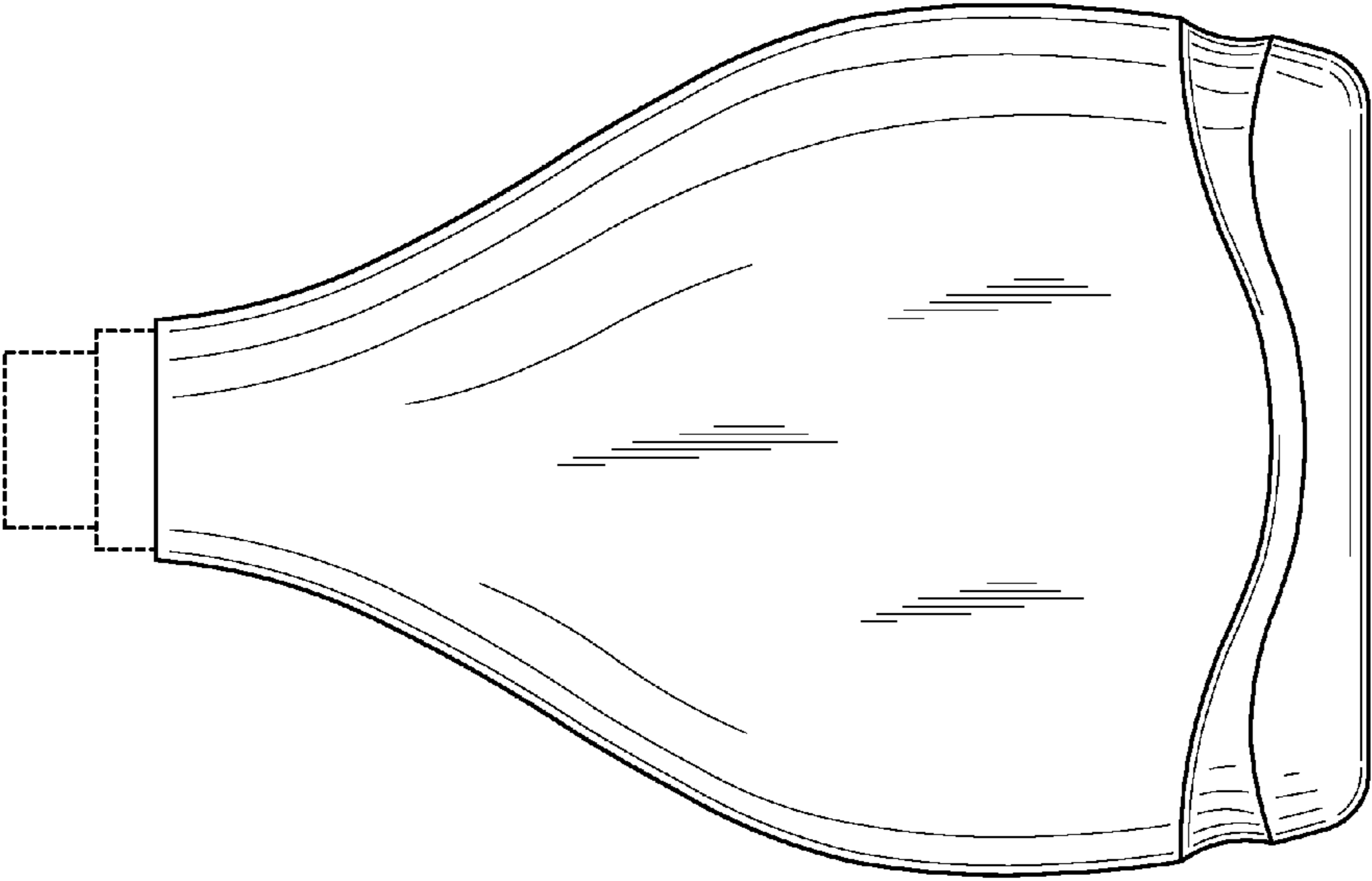


Fig. 2

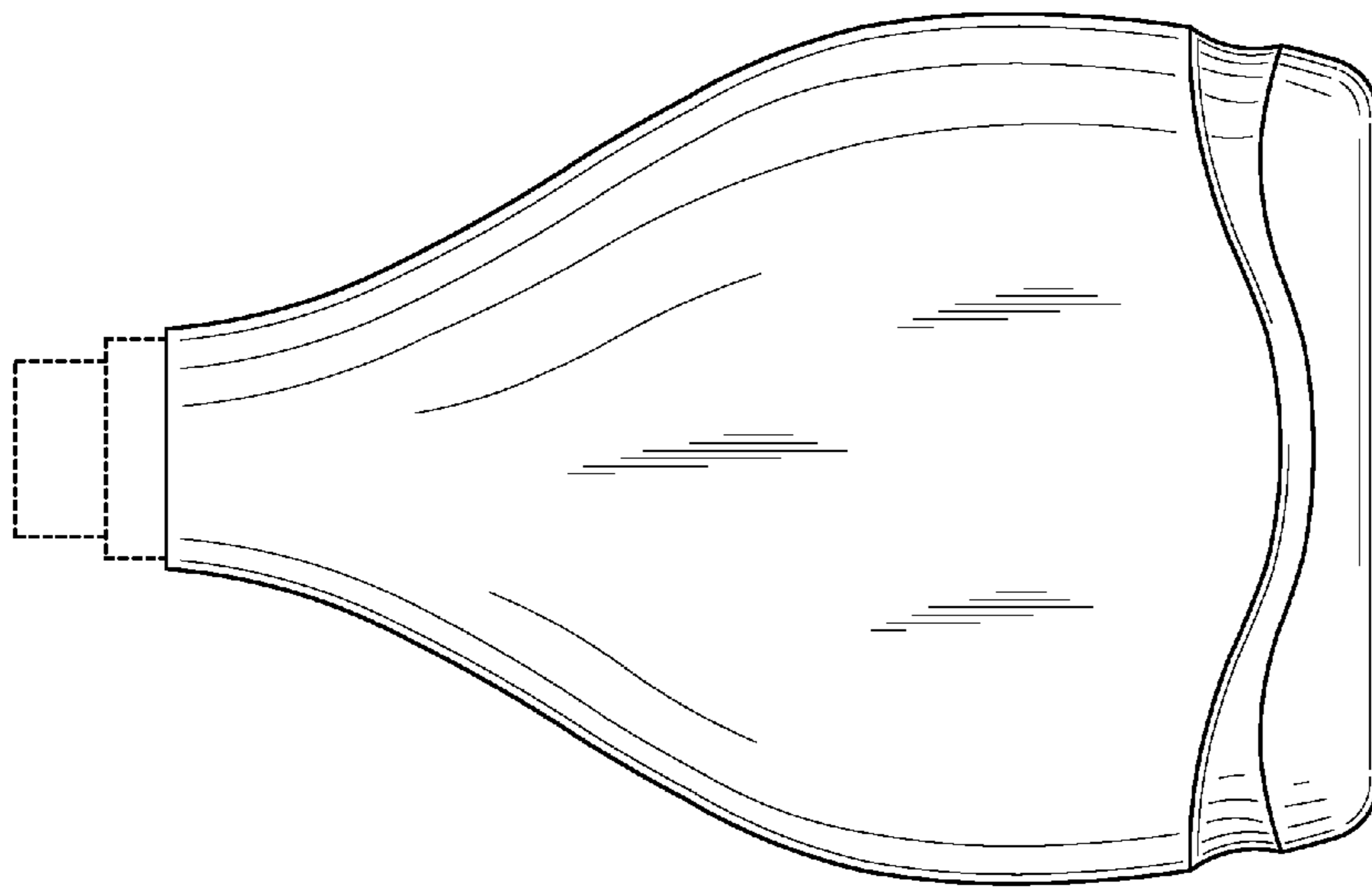


Fig. 3

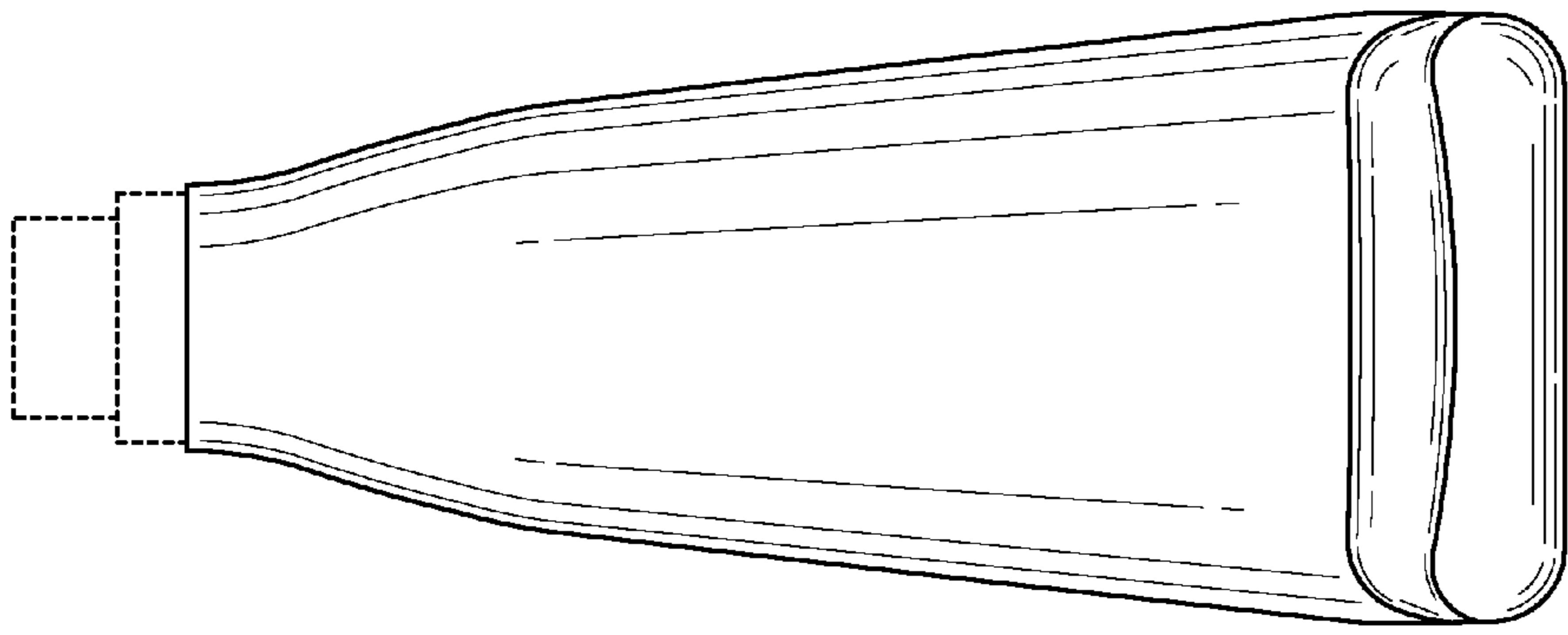


Fig. 4

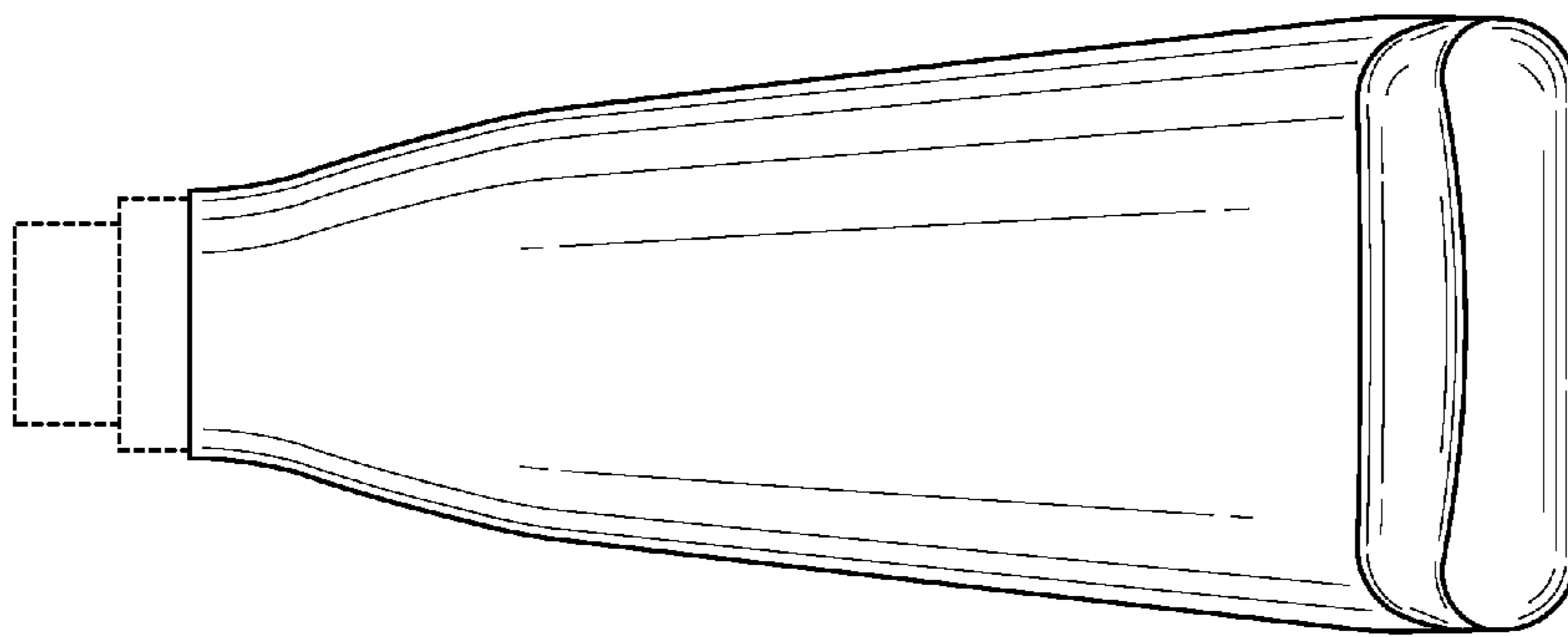


Fig. 5

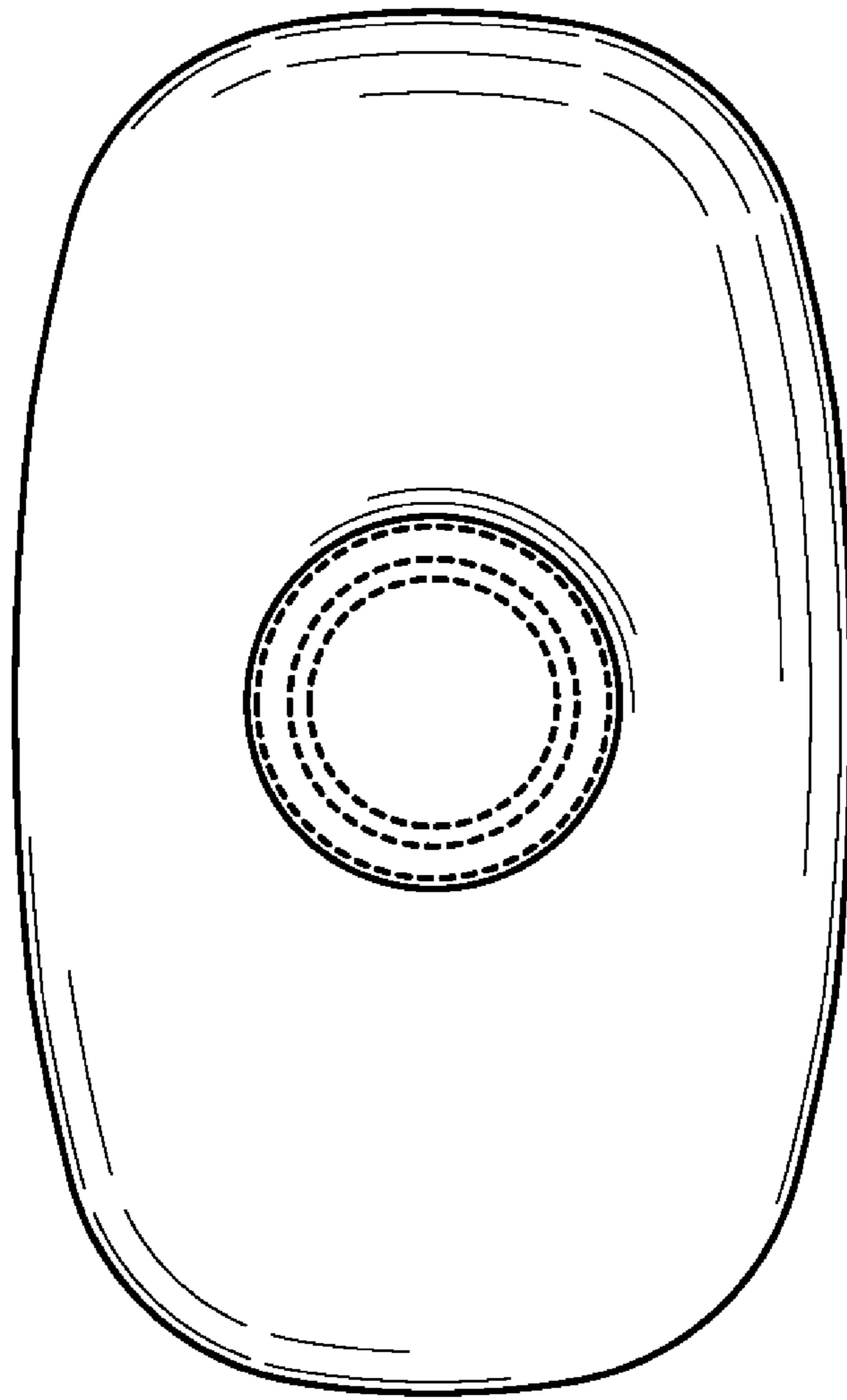


Fig. 6

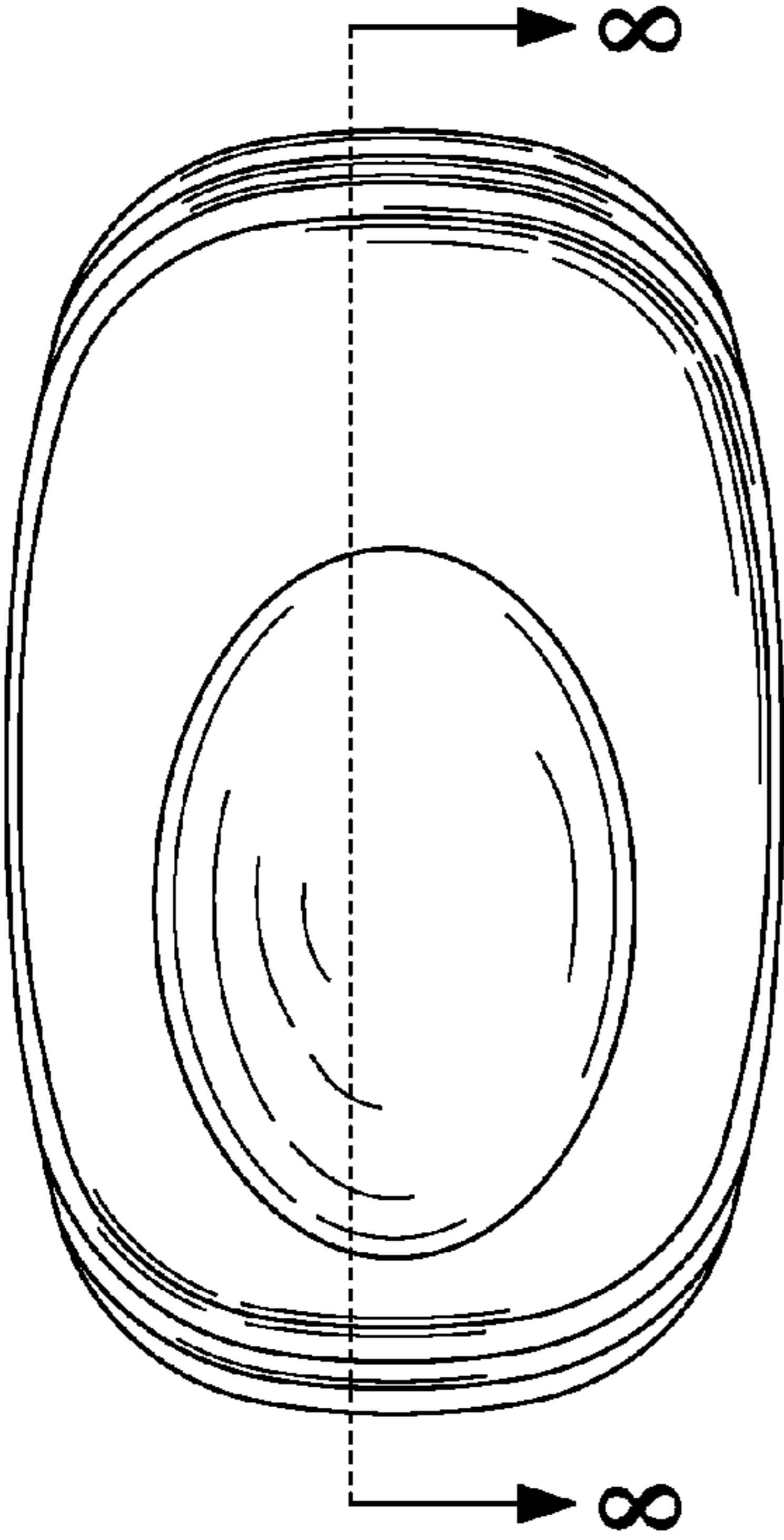


Fig. 7

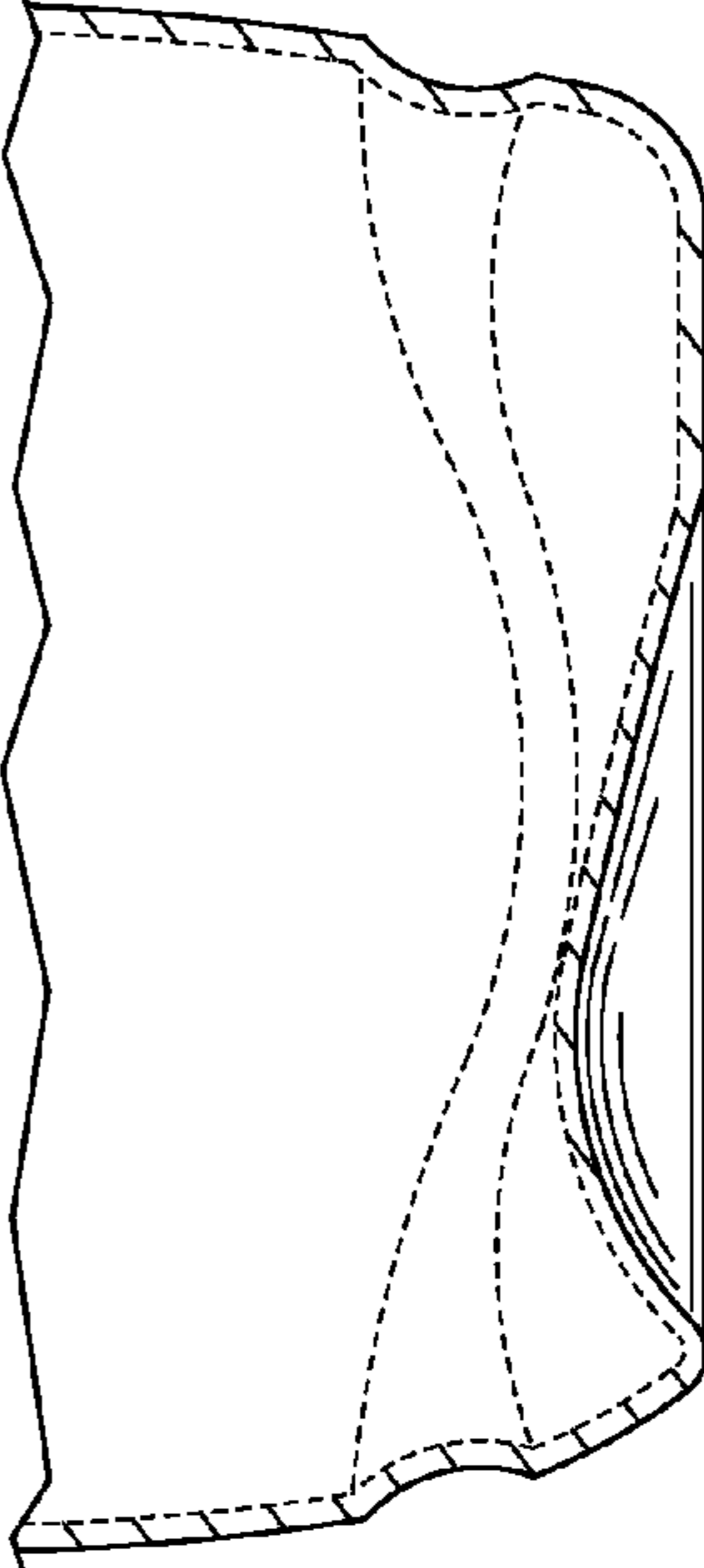


Fig. 8

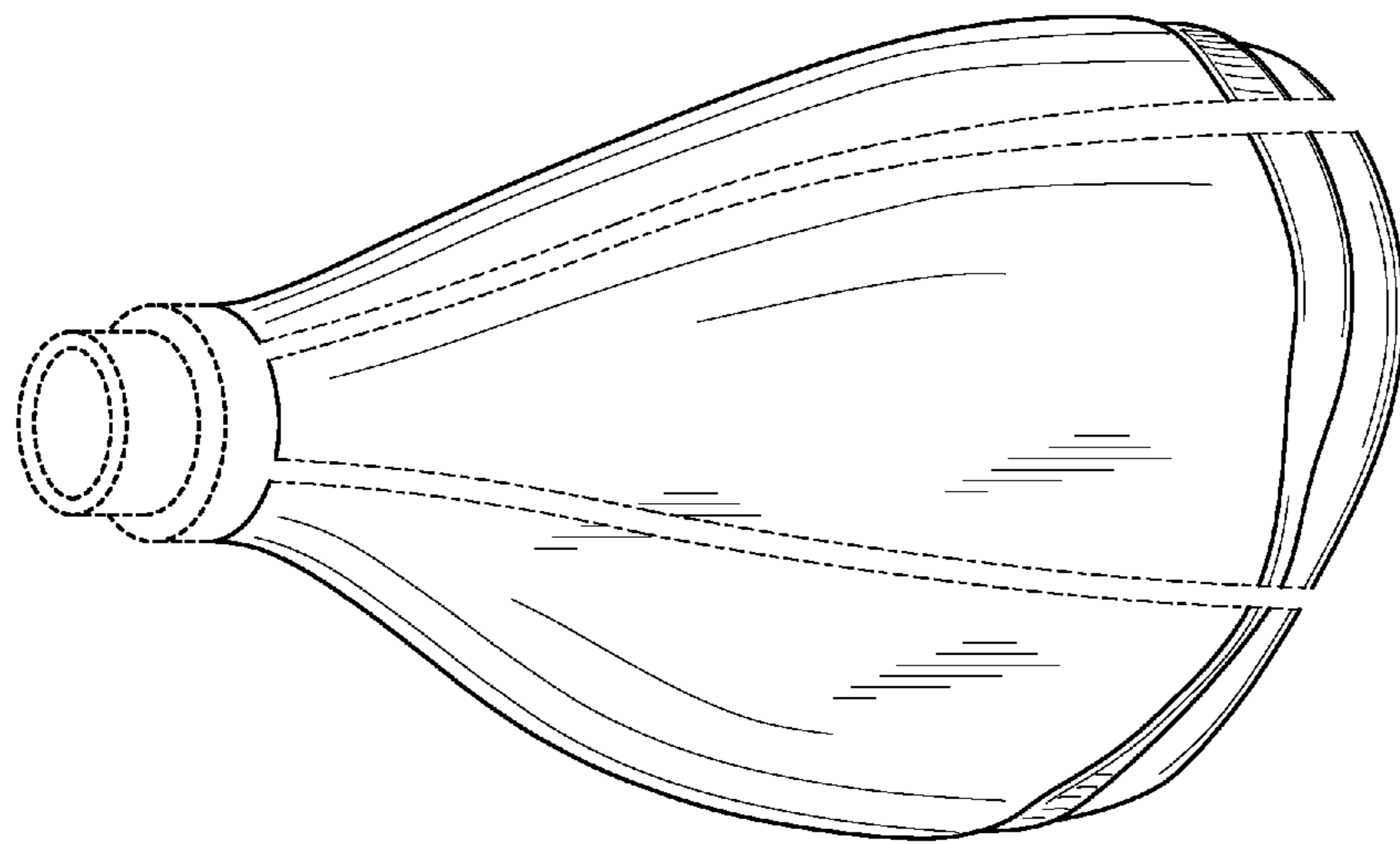


Fig. 9

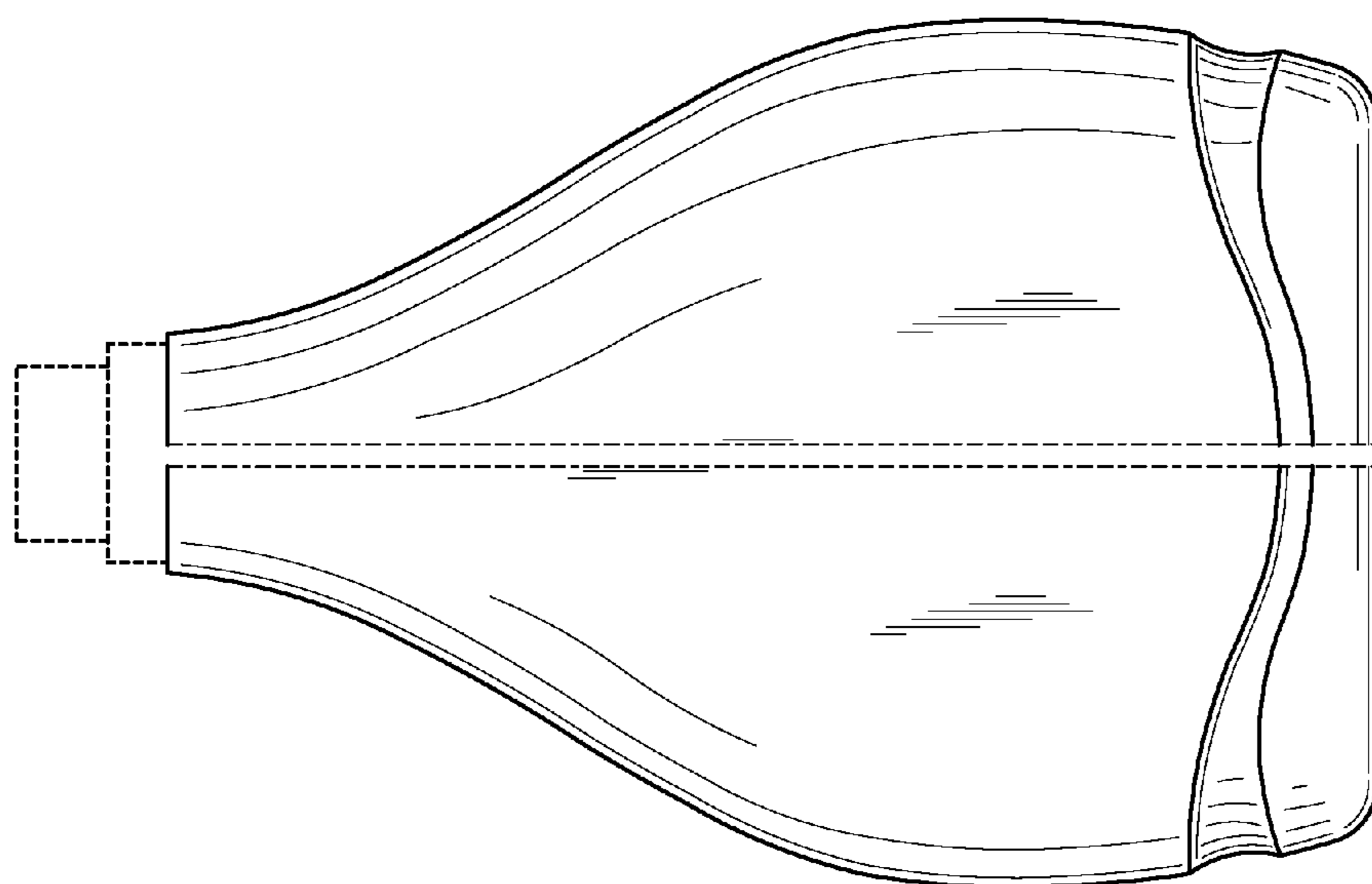


Fig. 10

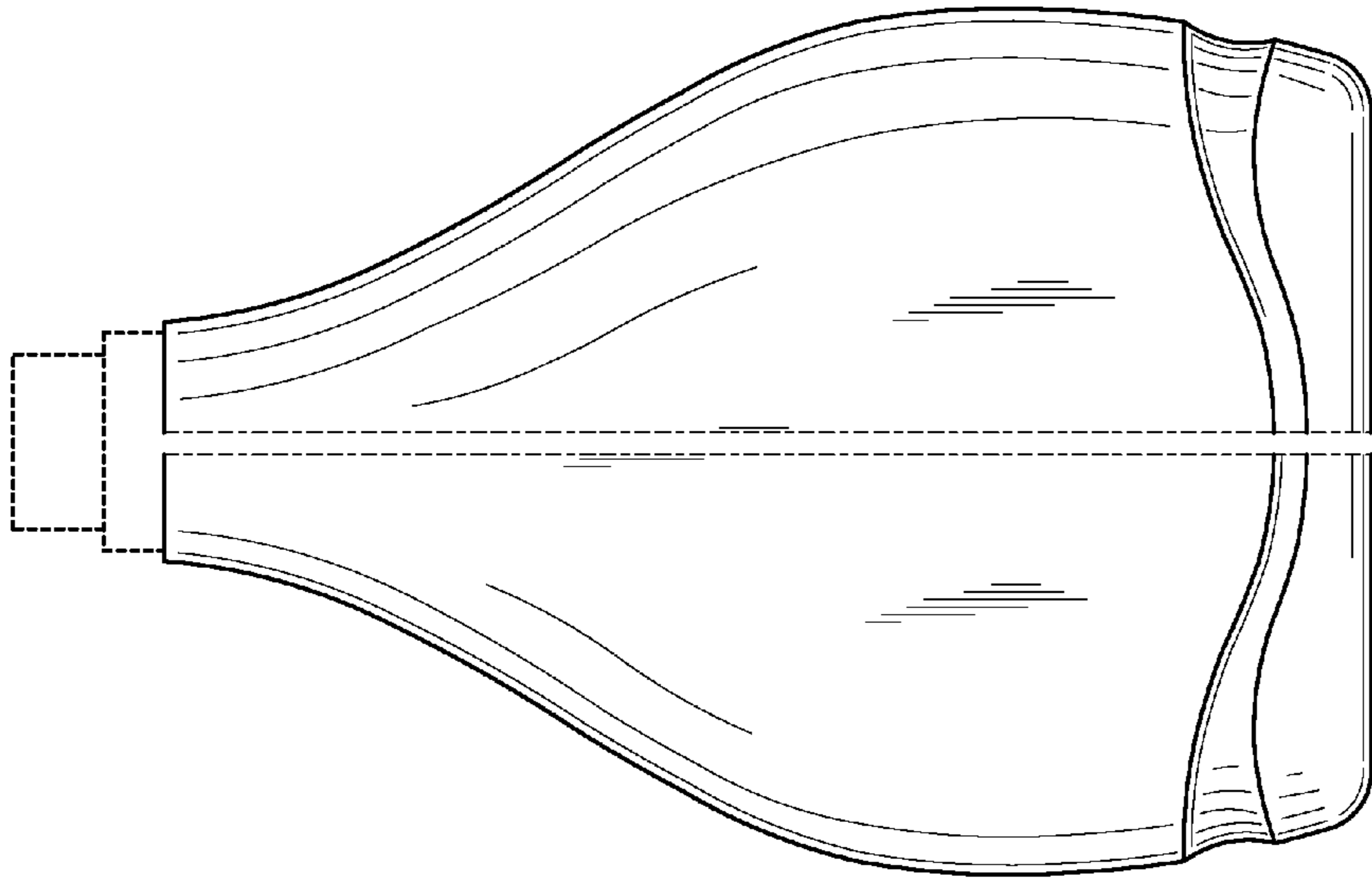


Fig. 11

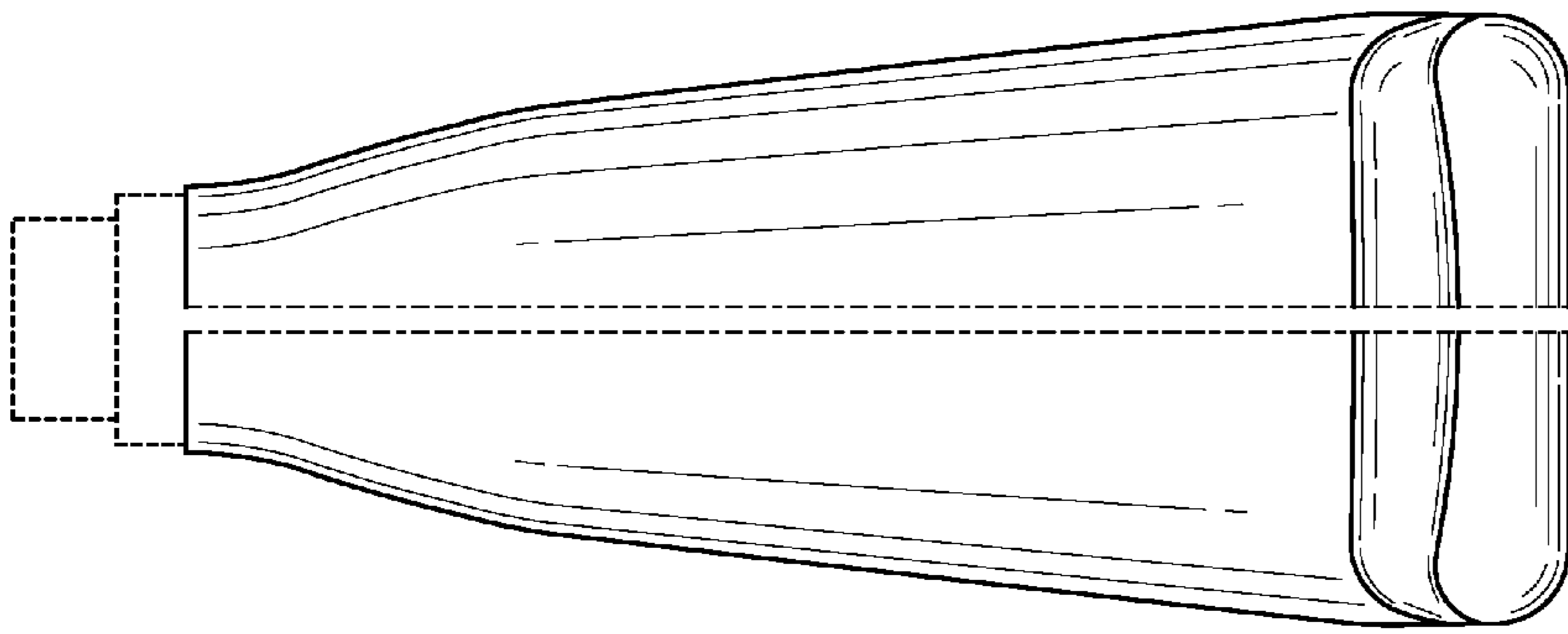


Fig. 12

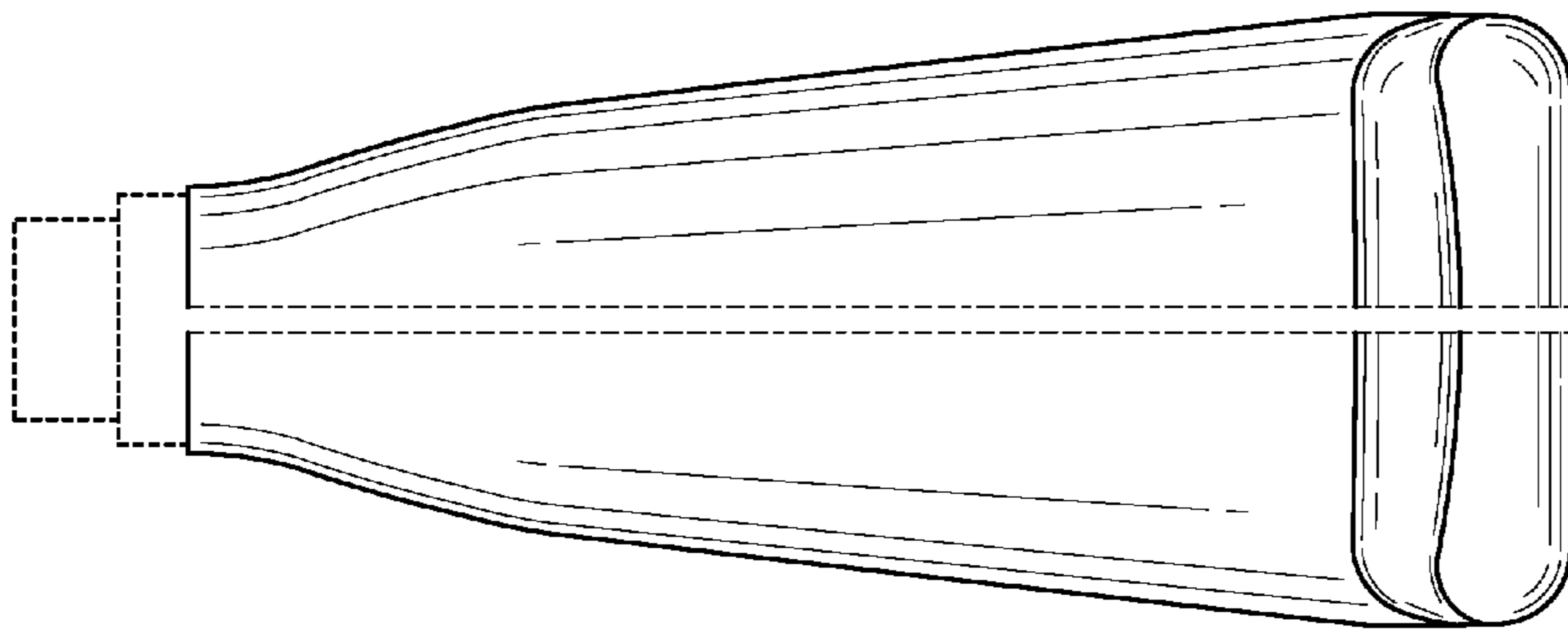


Fig. 13

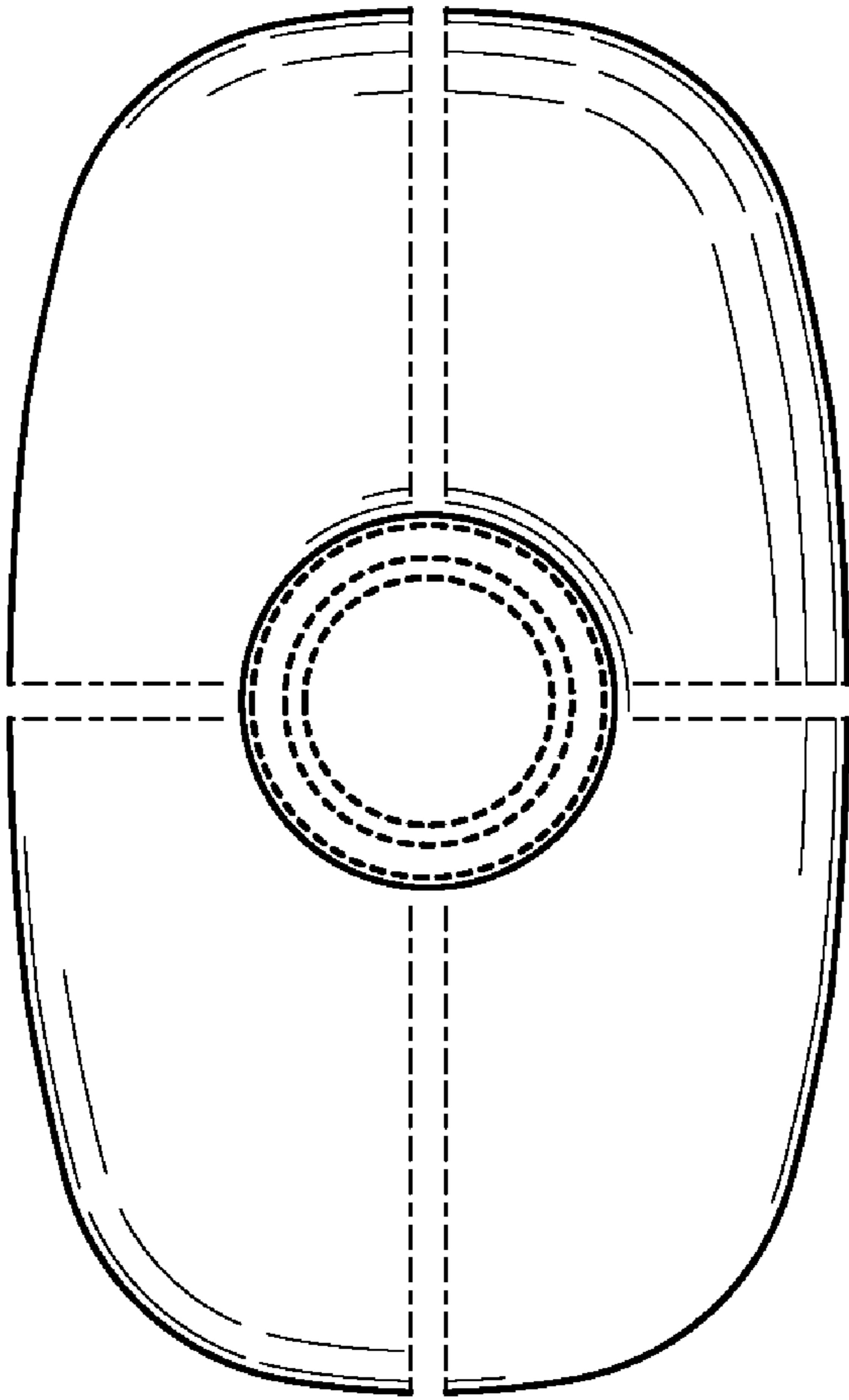


Fig. 14

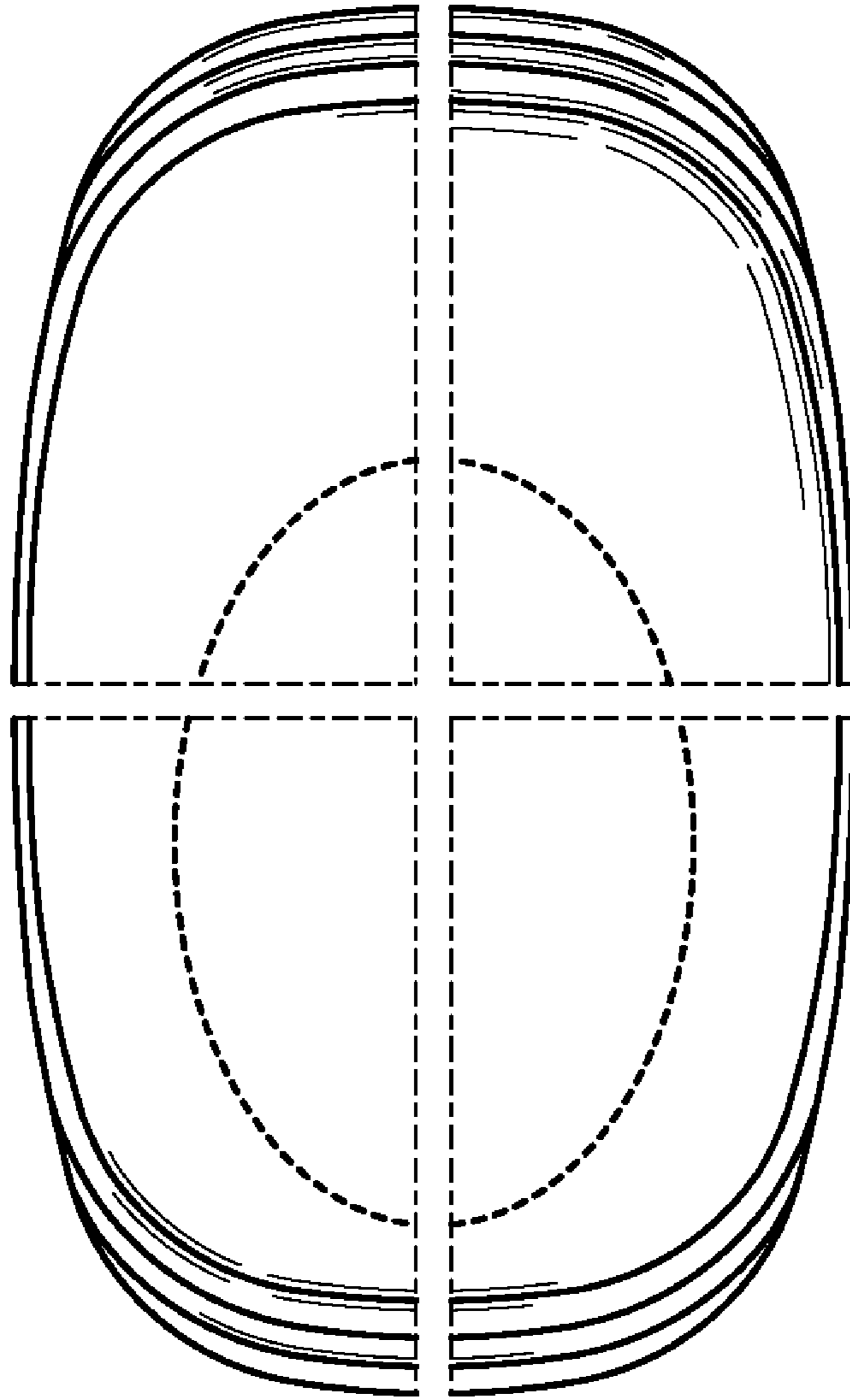


Fig. 15