



US00D640924S

(12) **United States Design Patent**
Giraud et al.

(10) **Patent No.:** **US D640,924 S**
(45) **Date of Patent:** **** Jul. 5, 2011**

(54) **LID**

(76) Inventors: **Jean-Pierre Giraud**, Paris (FR); **Michel Zbirka**, Jouy-sur-Morin (FR); **Bruce Rabinne**, Boissy le Chatel (FR); **Tina Belfance**, Auburn, AL (US)

(**) **Term:** **14 Years**

(21) **Appl. No.:** **29/384,589**

(22) **Filed:** **Feb. 1, 2011**

Related U.S. Application Data

(63) Continuation of application No. 29/358,903, filed on Apr. 1, 2010, now Pat. No. Des. 634,196.

(51) **LOC (9) Cl.** **09-07**

(52) **U.S. Cl.** **D9/447; D9/435**

(58) **Field of Classification Search** D9/780, D9/778, 772, 763, 756, 556, 529, 518, 504, D9/503, 454, 450, 449, 447, 440, 438, 435, D9/434, 428, 425, 424; D7/584, 392.1, 510, D7/392; 229/123.1; 222/556, 541.6; 220/906, 220/806, 716, 713, 711, 359.3, 359.1, 285, 220/273, 265, 259.2-259.4, 258.2, 257.1, 220/254.4, 556, 541, 254.3; 215/256, 249, 215/232, 216; 206/530; 446/72

See application file for complete search history.

(56) **References Cited**

U.S. PATENT DOCUMENTS

D359,417	S	*	6/1995	Chen	D7/510
D397,906	S	*	9/1998	Briggs et al.	D7/392.1
5,894,952	A	*	4/1999	Mendenhall et al.	220/713
D419,029	S	*	1/2000	Randolph	D7/392
D451,760	S	*	12/2001	Fox	D7/510
D476,850	S	*	7/2003	Featherston et al.	D7/510
D561,522	S	*	2/2008	Gordon	D7/392
D562,065	S	*	2/2008	Smaldone	D7/396.2
D632,133	S	*	2/2011	Giraud et al.	D7/510
2009/0050641	A1	*	2/2009	Ivey	220/713

* cited by examiner

Primary Examiner — Susan Bennett Hattan

(74) *Attorney, Agent, or Firm* — McAndrews, Held & Malloy

(57) **CLAIM**

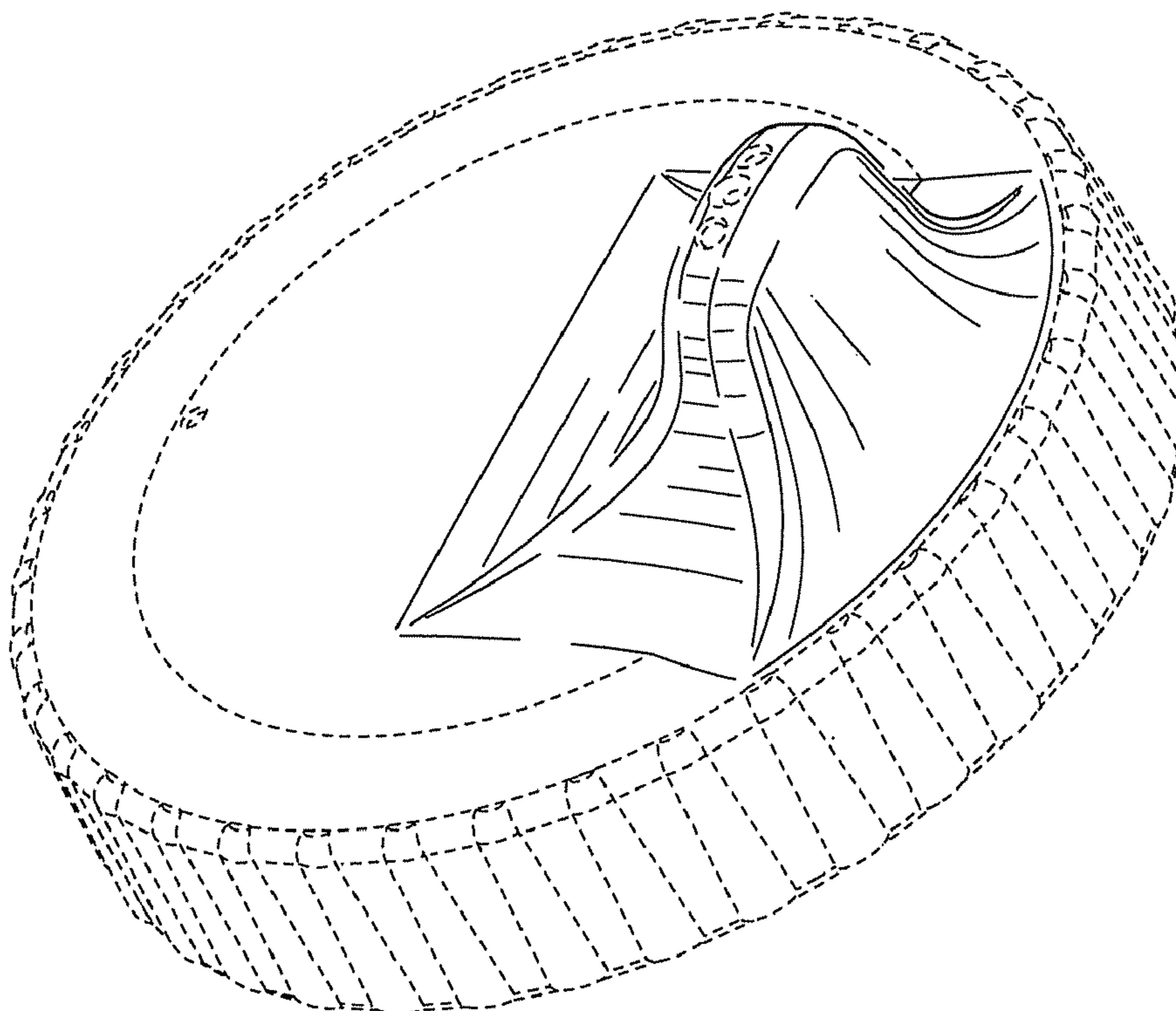
The ornamental design for a lid, as shown and described.

DESCRIPTION

FIG. 1 is a top perspective view of our new design for a lid; FIG. 2 is a front elevation view thereof; FIG. 3 is a back elevation view thereof; FIG. 4 is a right-side elevation view thereof; FIG. 5 is a left-side elevation view thereof; FIG. 6 is top plan view thereof; and, FIG. 7 is a bottom plan view thereof.

The broken lines in the drawings are included for the purpose of illustrating environmental subject matter and form no part of the claimed design.

1 Claim, 3 Drawing Sheets



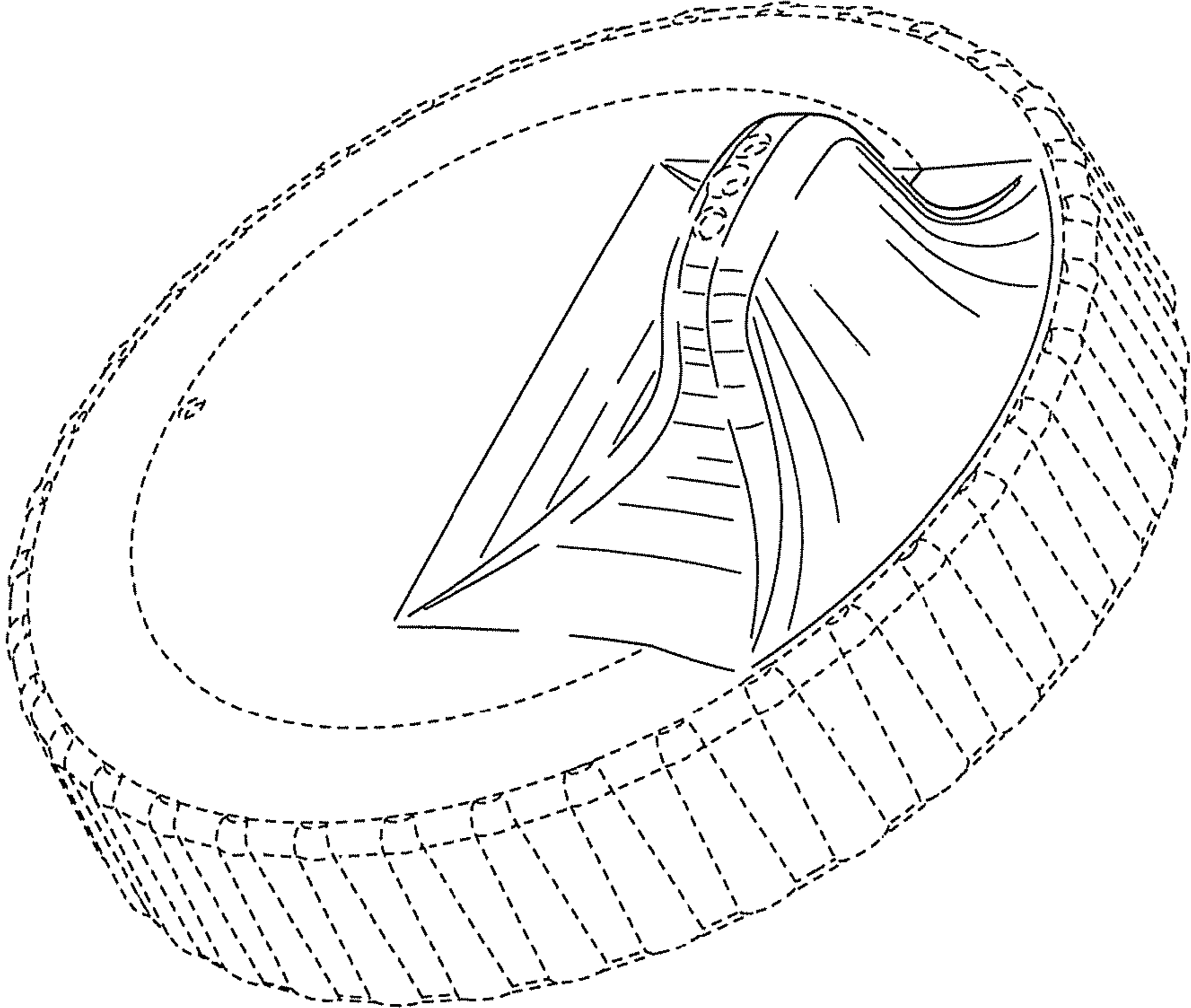


FIG. 1

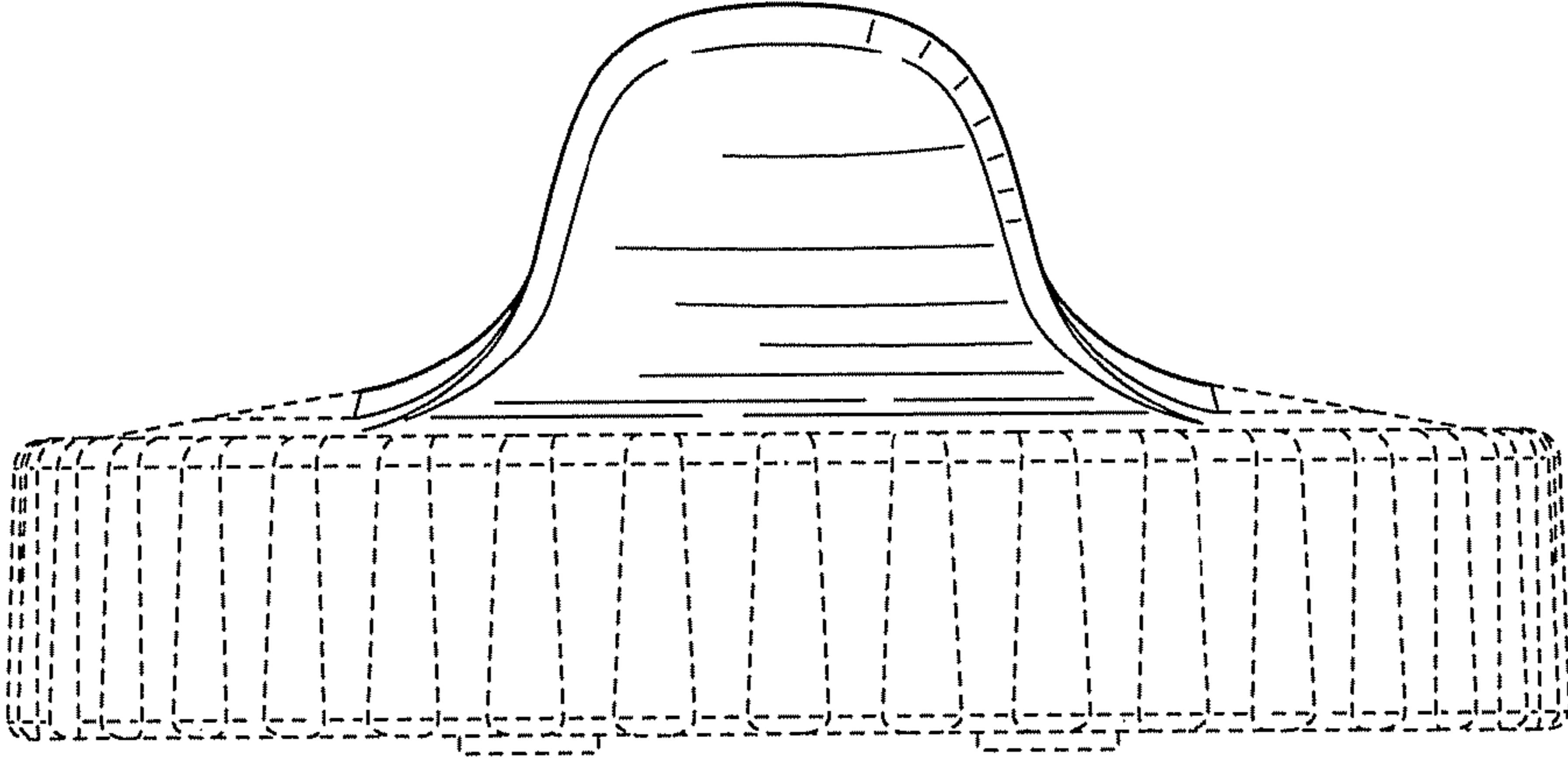


FIG. 2

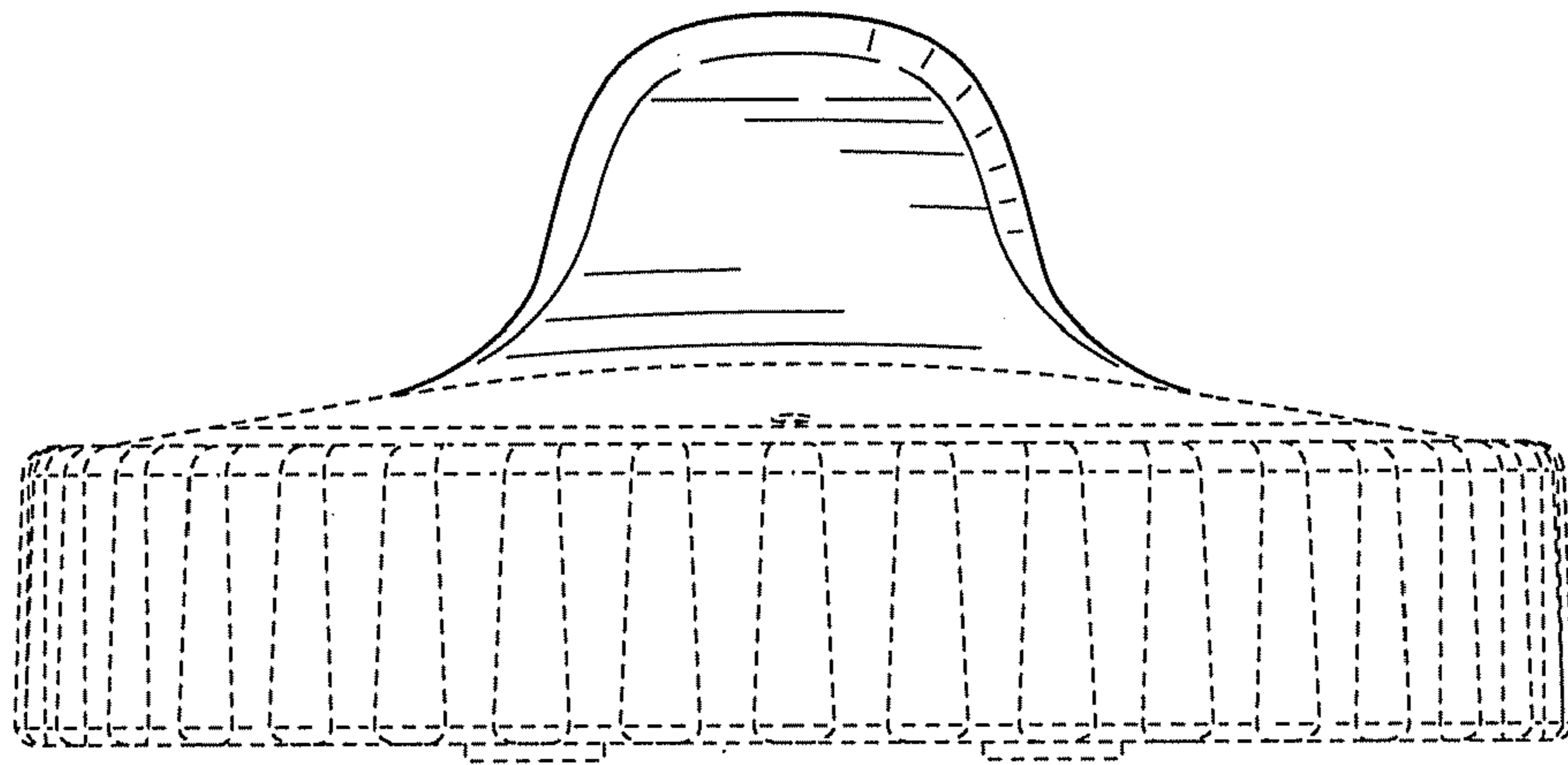


FIG. 3

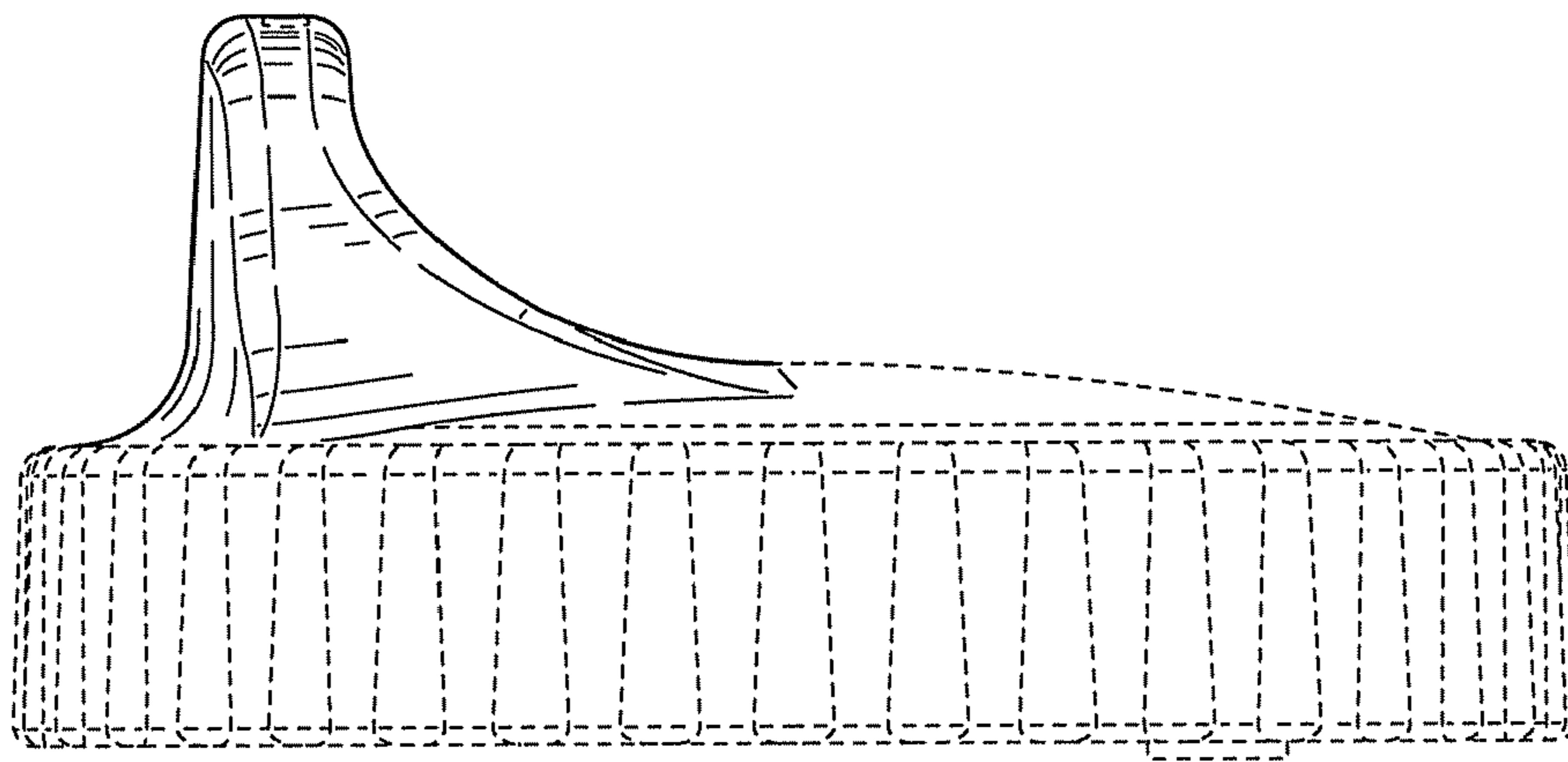


FIG. 4

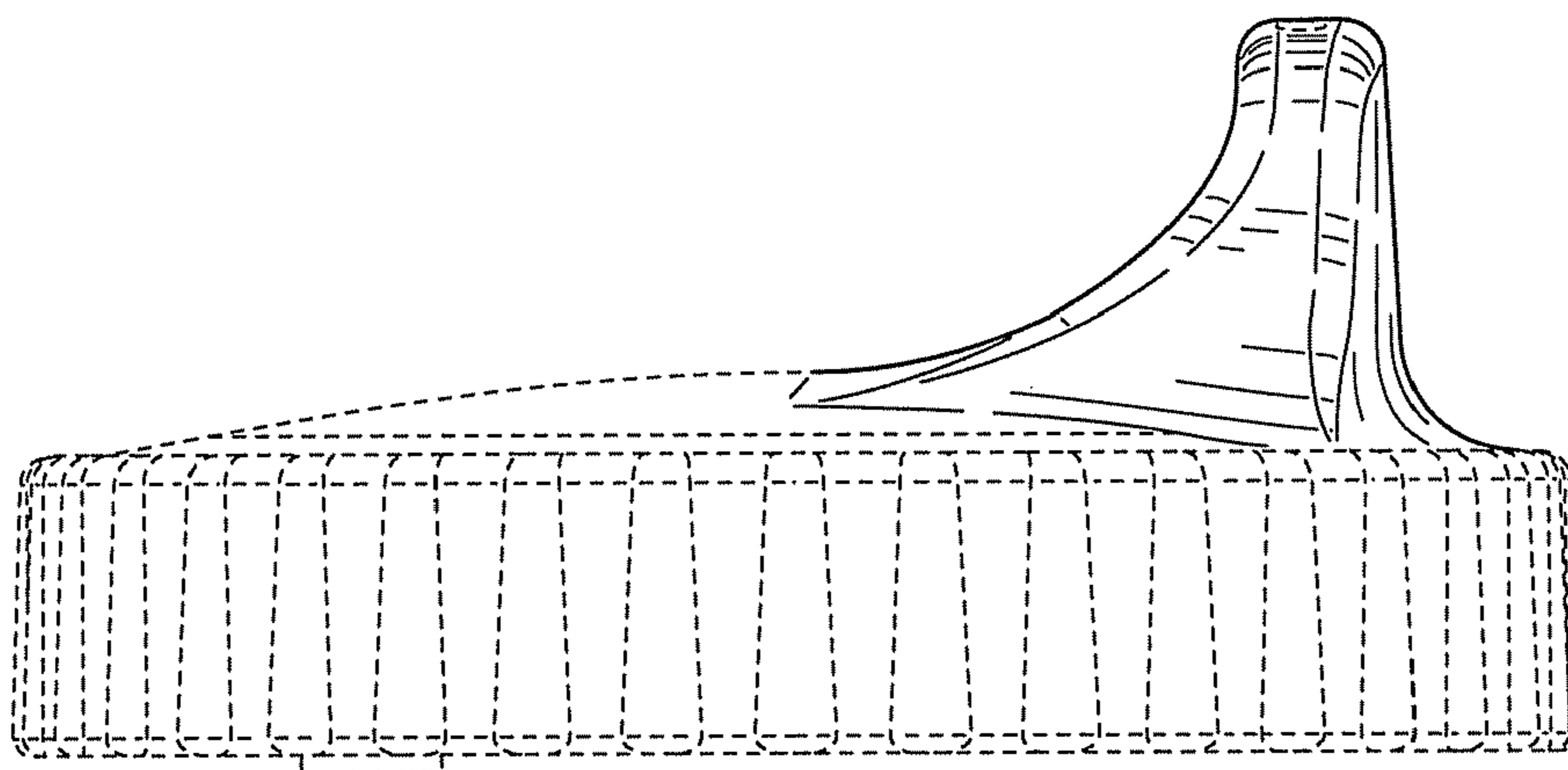


FIG. 5

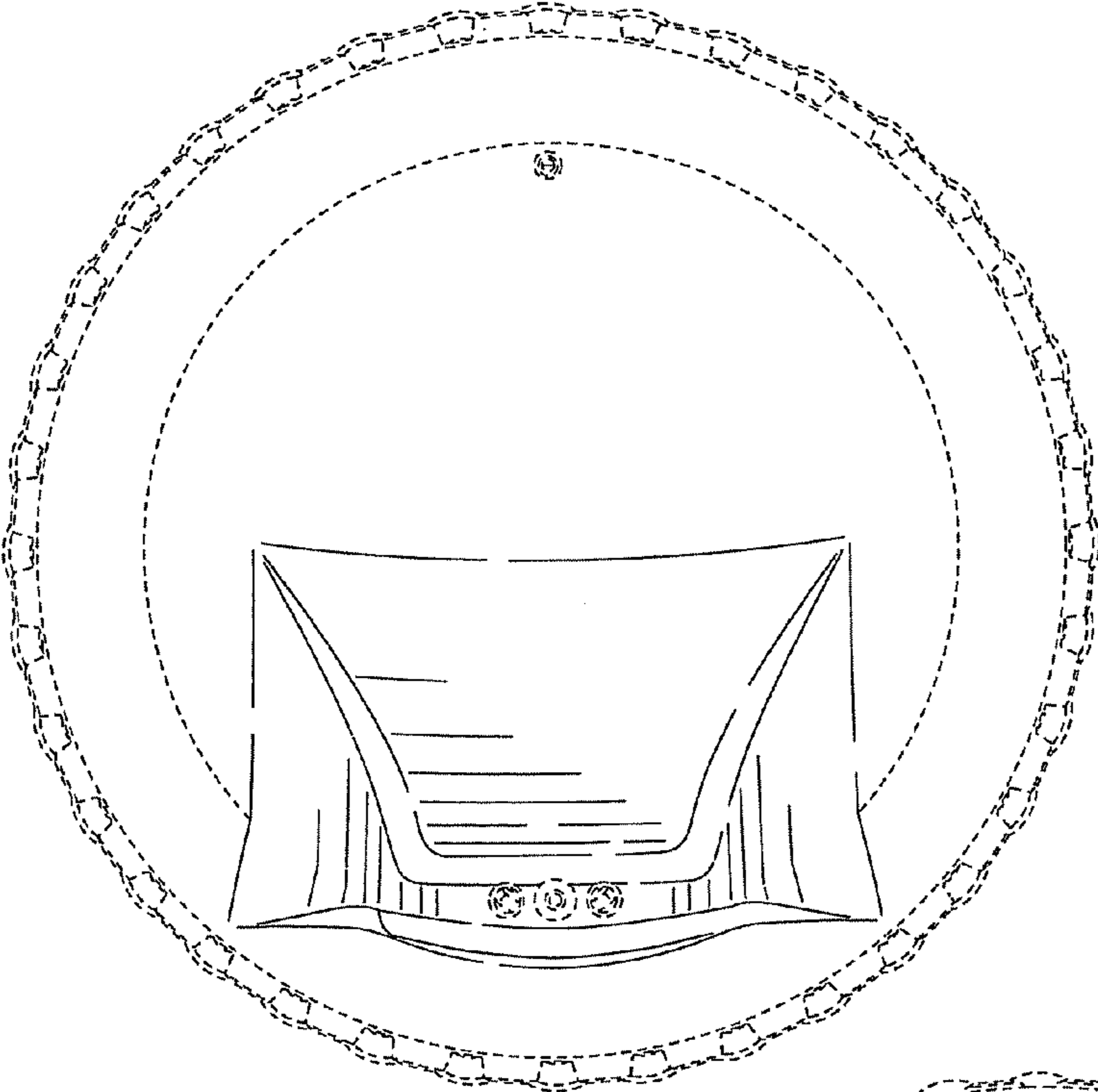


FIG. 6

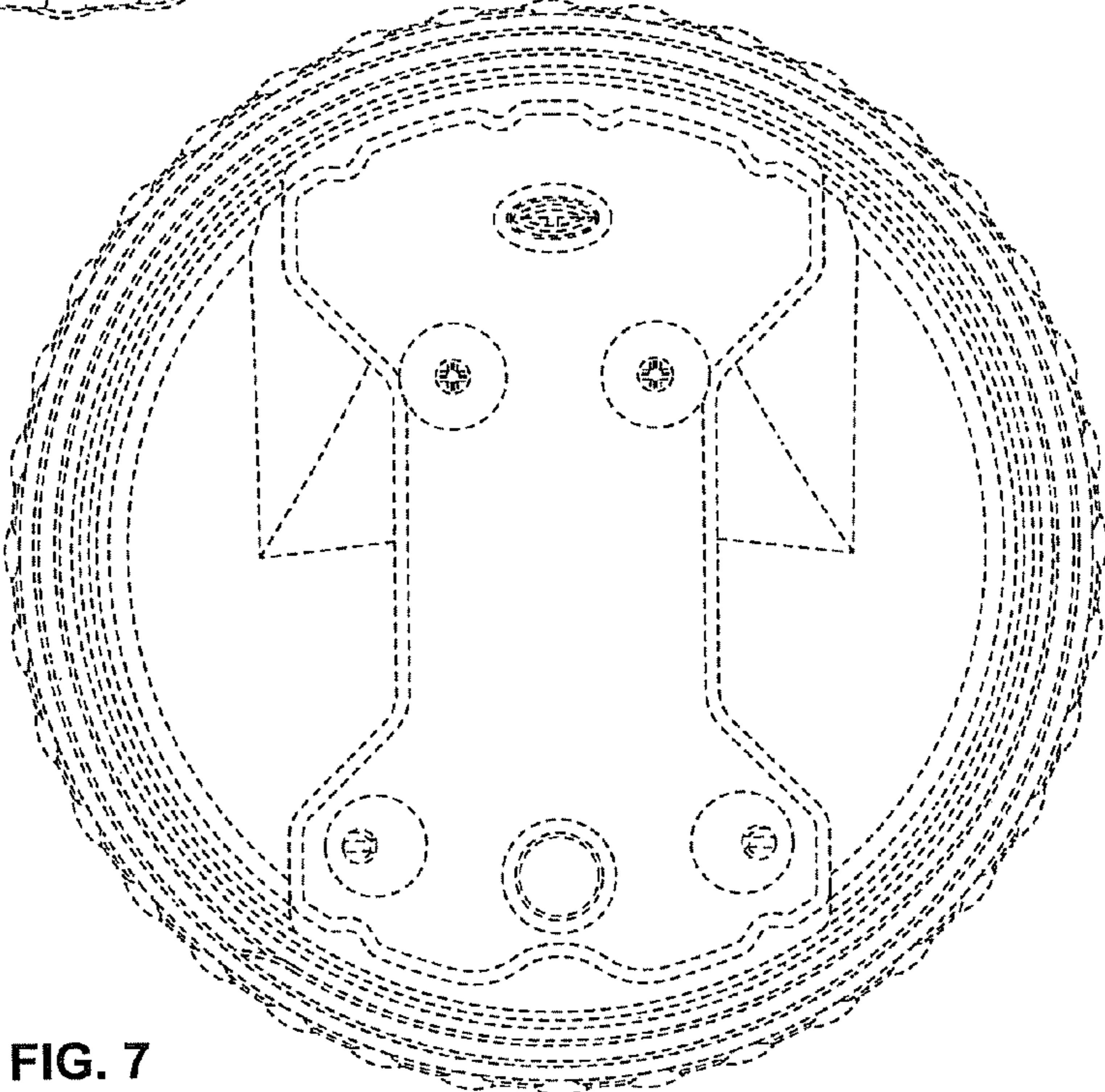


FIG. 7