



US00D640922S

(12) **United States Design Patent**
Daley et al.

(10) **Patent No.:** **US D640,922 S**
(45) **Date of Patent:** **** Jul. 5, 2011**

(54) **COMBINATION LEAKPROOF CARTON AND BLANK**

(75) Inventors: **Todd Anthony Daley**, Northcote (AU);
Wayne Keith Summers, Werribee (AU)

(73) Assignee: **Visy R & D Pty Ltd.**, Southbank,
Victoria (AU)

(**) Term: **14 Years**

(21) Appl. No.: **29/337,687**

(22) Filed: **May 28, 2009**

(30) **Foreign Application Priority Data**

Nov. 28, 2008 (AU) 200815640

(51) **LOC (9) Cl.** **09-03**

(52) **U.S. Cl.** **D9/433; D9/432**

(58) **Field of Classification Search** D9/430-433,
D9/414, 418, 420-424; D3/272; 206/267,
206/269, 270, 273, 299, 737, 740, 822; 229/100,
229/101, 101.3, 106, 108-112, 114-117,
229/117.05-117.09, 117.24-117.26, 221,
229/222, 227, 902, 939, 941, 942
See application file for complete search history.

(56) **References Cited**

U.S. PATENT DOCUMENTS

622,274 A * 4/1899 Schmidt 229/117.08
1,311,047 A * 7/1919 Cole 229/117.07
2,544,101 A * 3/1951 Oxley 229/116.1
3,276,662 A * 10/1966 Farquhar 229/125.32
D249,022 S * 8/1978 Bamberg et al. D9/431

D267,476 S * 1/1983 Boedeker et al. D9/433
4,717,070 A * 1/1988 Taub 229/125.28
5,121,876 A * 6/1992 Johnson 229/117.07
5,364,015 A * 11/1994 Hirschey 229/116.5
D421,218 S * 2/2000 Roemer et al. D9/433
6,305,600 B1 * 10/2001 Hirschey et al. 229/164.2
D484,048 S * 12/2003 Biddlecom D9/433
6,776,746 B2 * 8/2004 Taylor 493/68

* cited by examiner

Primary Examiner — Karen S Acker

(74) *Attorney, Agent, or Firm* — Rothwell, Figg, Ernst &
Manbeck, P.C.

(57) **CLAIM**

The ornamental design for a combination leakproof carton and blank, as shown and described.

DESCRIPTION

FIG. 1 is a top plan view of the blank of the combination leakproof carton and lid showing the lid unfolded. The bottom plan view is a mirror image thereof.

FIG. 2 is a perspective view of the combination leakproof carton and lid showing the assembled lid ready for assembly upon the carton. The opposite sides of the lid and the carton are mirror images thereof.

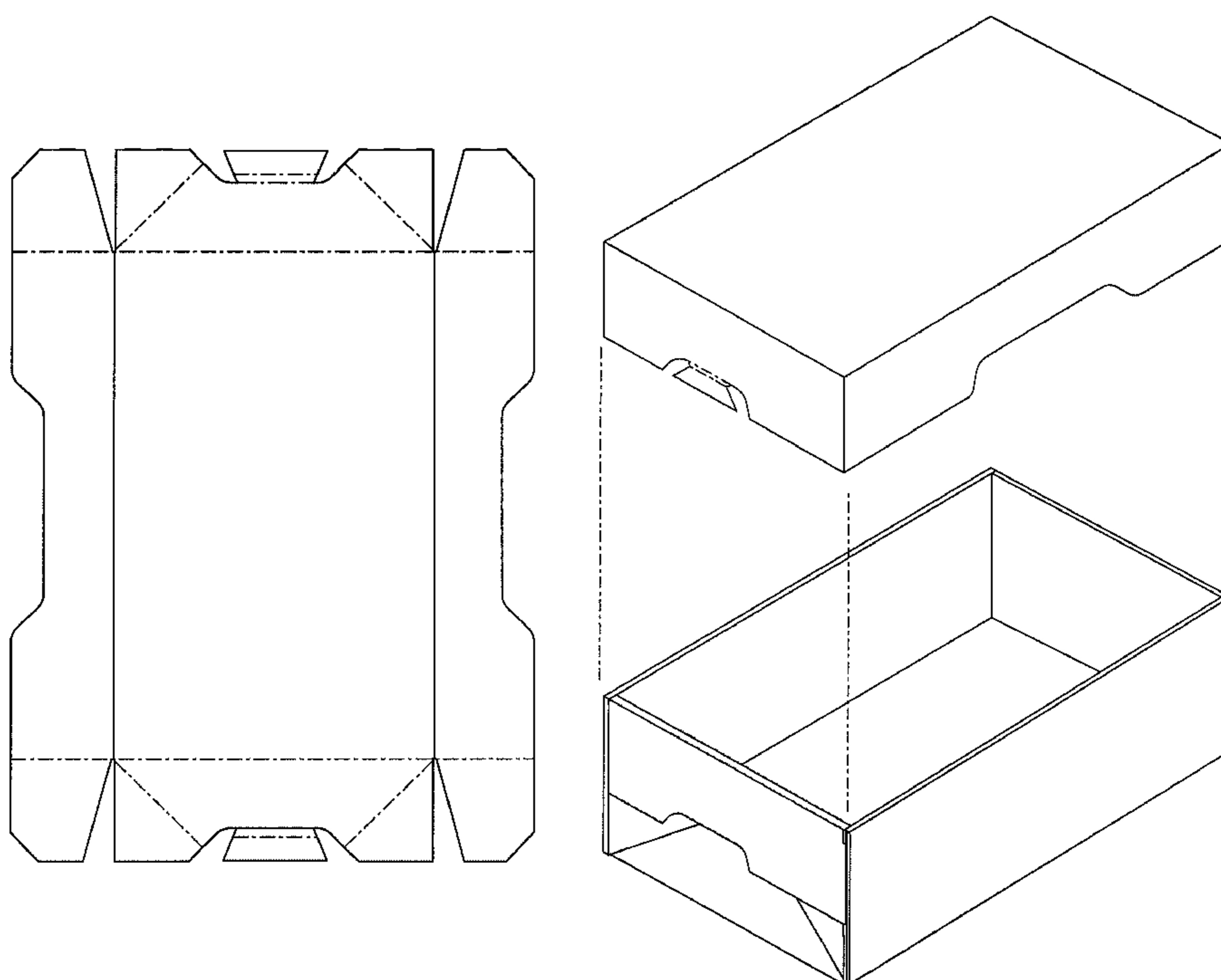
FIG. 3 is a perspective of the combination leakproof carton and lid assembled together. The sides not shown are the mirror images of the sides shown.

FIG. 4 is a side view of the lid shown in FIG. 1. The opposite side is a mirror image thereof; and,

FIG. 5 is an end view of the lid shown in FIG. 1. The opposite side is a mirror image thereof.

The fold lines shown in FIGS. 1 and 2 by broken lines are fold lines and form part of the claim.

1 Claim, 4 Drawing Sheets



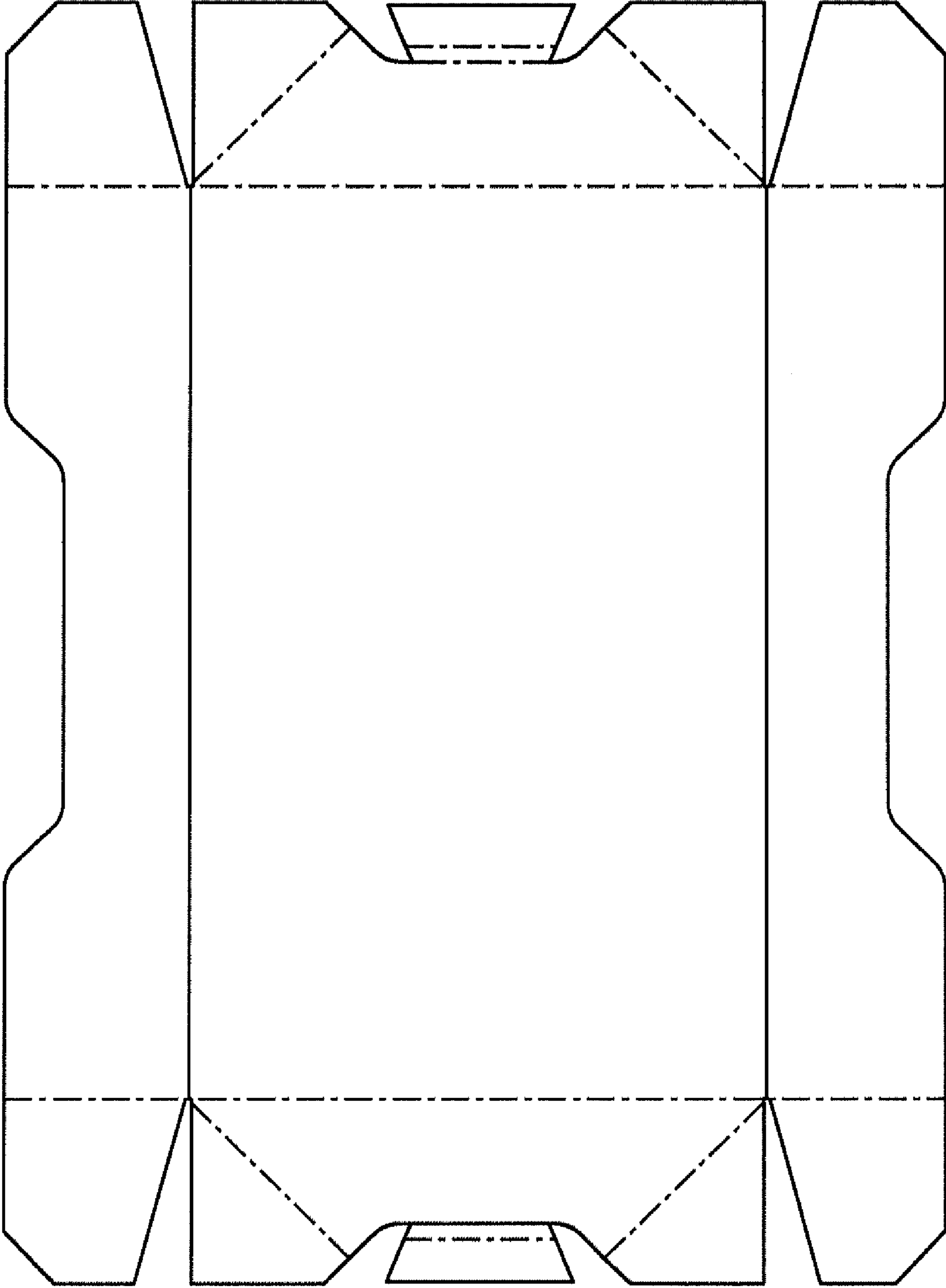


FIG. 1

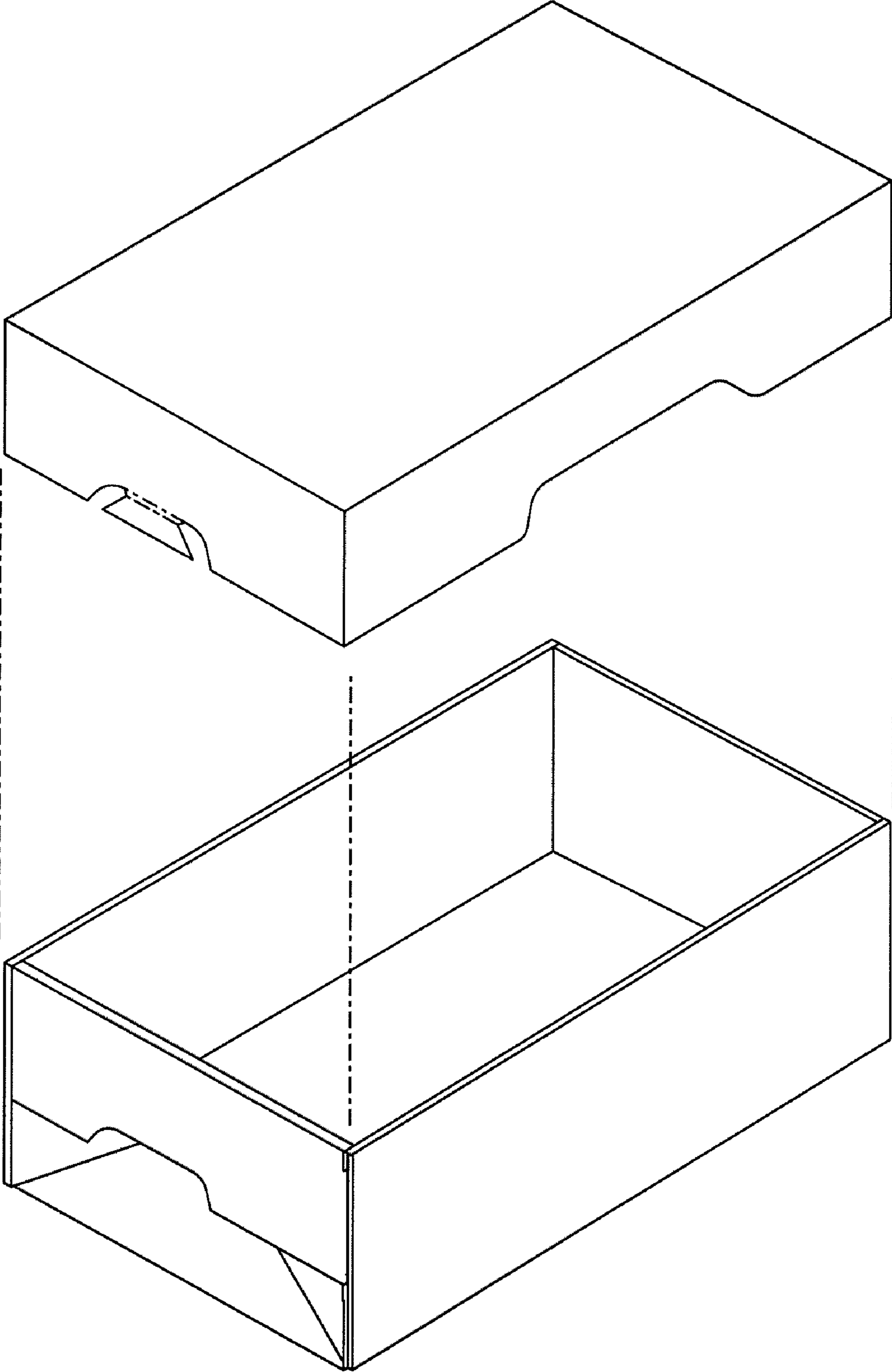


FIG. 2

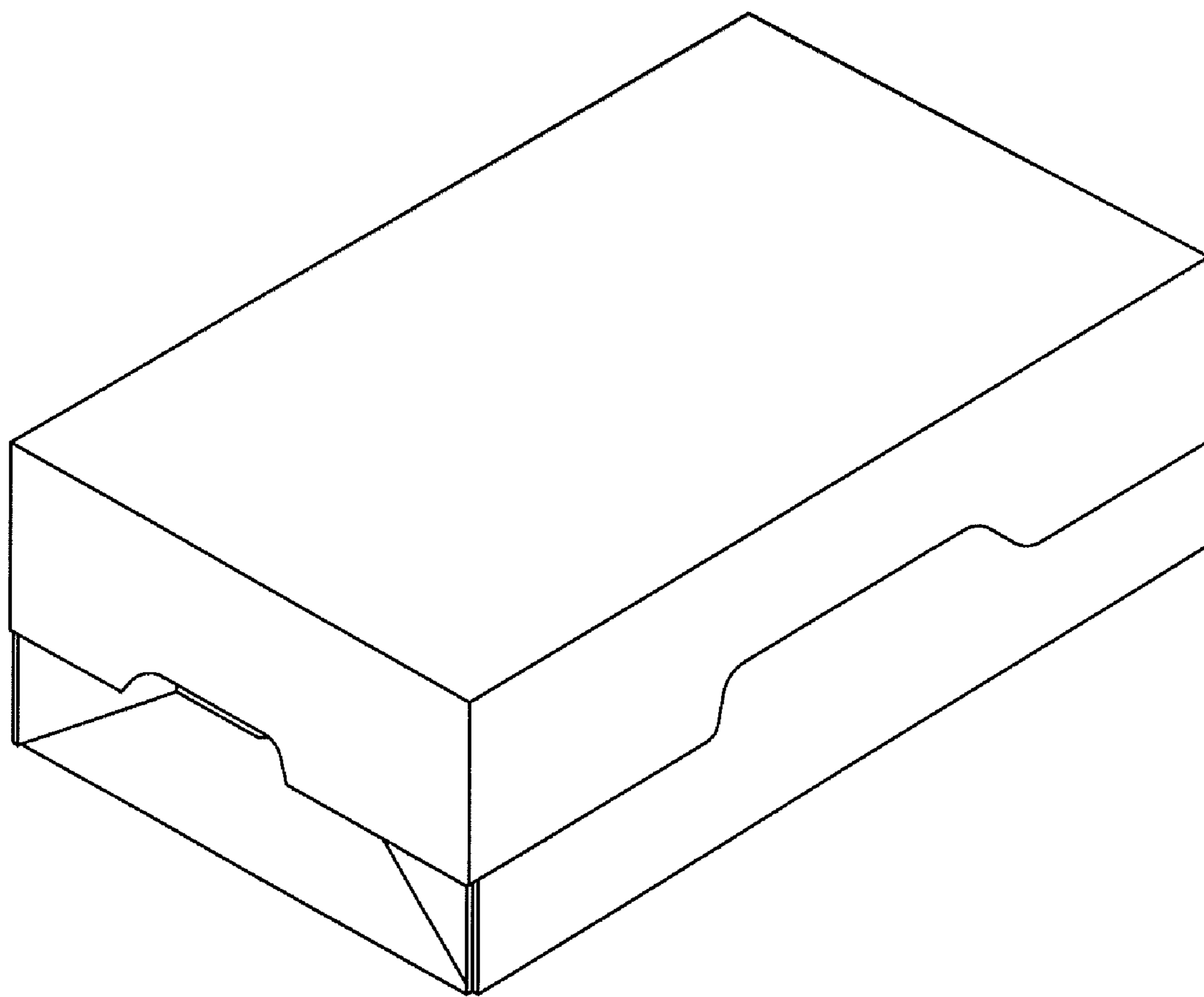


FIG. 3



FIG. 4

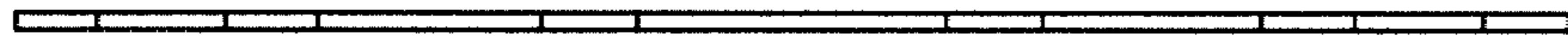


FIG. 5