



US00D640919S

(12) **United States Design Patent**
Lavelle

(10) **Patent No.:** **US D640,919 S**

(45) **Date of Patent:** **** Jul. 5, 2011**

(54) **CORNER PROTECTOR**

(76) Inventor: **Richard M. Lavelle**, Wexford, PA (US)

(**) Term: **14 Years**

(21) Appl. No.: **29/361,593**

(22) Filed: **May 13, 2010**

(51) **LOC (9) Cl.** **08-05**

(52) **U.S. Cl.** **D8/403**

(58) **Field of Classification Search** D8/400-499;
D25/199; D24/227, 229; 54/24, 26; 428/99,
428/199; 229/199; 206/453, 586, 557-567
See application file for complete search history.

(56) **References Cited**

U.S. PATENT DOCUMENTS

1,320,205	A	10/1919	Cochrane	
1,546,680	A	7/1925	Sessions	
2,080,630	A	5/1937	Nathanson	
3,030,728	A	4/1961	Wesman	
D191,133	S	8/1961	Marx	
2,995,863	A *	8/1961	Bright	248/345.1
3,137,087	A	6/1964	Shroyer	
D220,166	S	3/1971	Griffith	
3,655,113	A	4/1972	Carroll	
3,725,188	A	4/1973	Kalt	
3,762,626	A	10/1973	Dorsey	
3,822,036	A	7/1974	Goodsite	
3,843,038	A	10/1974	Sax	
3,870,152	A	3/1975	Kaplan	
3,955,677	A	5/1976	Collingwood	
3,960,354	A	6/1976	Simikoski	
3,975,564	A	8/1976	Jones	
3,994,433	A	11/1976	Jenkins et al.	
4,072,231	A	2/1978	Helms	
D249,314	S	9/1978	Wilde et al.	
D253,506	S	11/1979	Vigue	

(Continued)

FOREIGN PATENT DOCUMENTS

EP 0143299 6/1985

(Continued)

OTHER PUBLICATIONS

HMARK, UnderGuard Tray Corners, 2006, p. 19, US.

Primary Examiner — Cathron Brooks

Assistant Examiner — Barbara Fox

(74) *Attorney, Agent, or Firm* — Tergo, Hines & Ladenheim, PLLC

(57) **CLAIM**

I claim the ornamental design for a corner protector, as shown and described.

DESCRIPTION

FIG. 1 is a perspective view of a corner protector, showing my design;

FIG. 2 is a top view of the corner protector of FIG. 1;

FIG. 3 is a bottom view of the corner protector of FIG. 1;

FIG. 4 is a front elevation view of the corner protector of FIG. 1;

FIG. 5 is a rear elevation view of the corner protector of FIG. 1;

FIG. 6 is a left elevation view of the corner protector of FIG. 1;

FIG. 7 is a right elevation view of the corner protector of FIG. 1;

FIG. 8 is a perspective view of a second embodiment of a corner protector, showing my design;

FIG. 9 is a top view of the corner protector of FIG. 8;

FIG. 10 is a bottom view of the corner protector of FIG. 8;

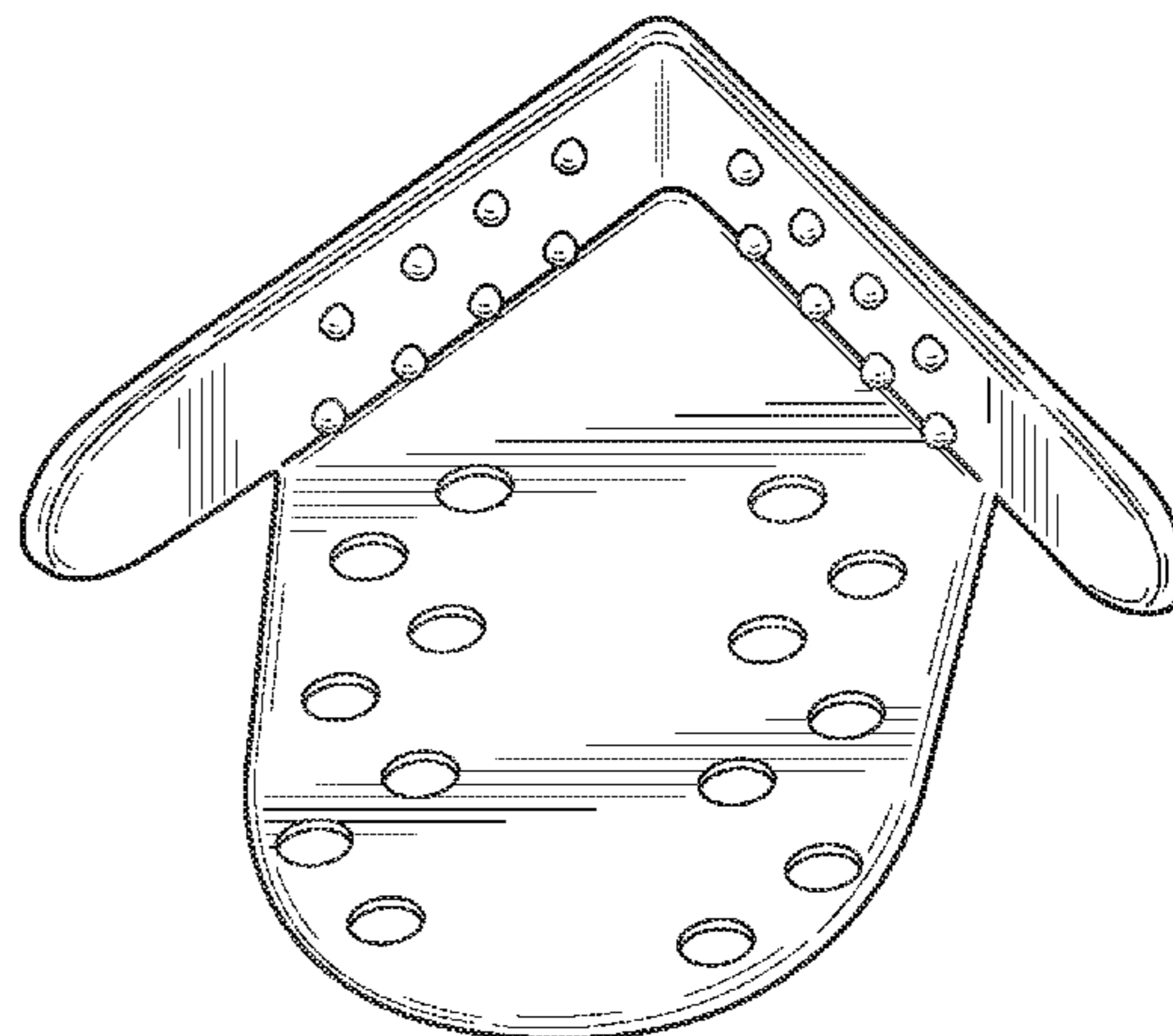
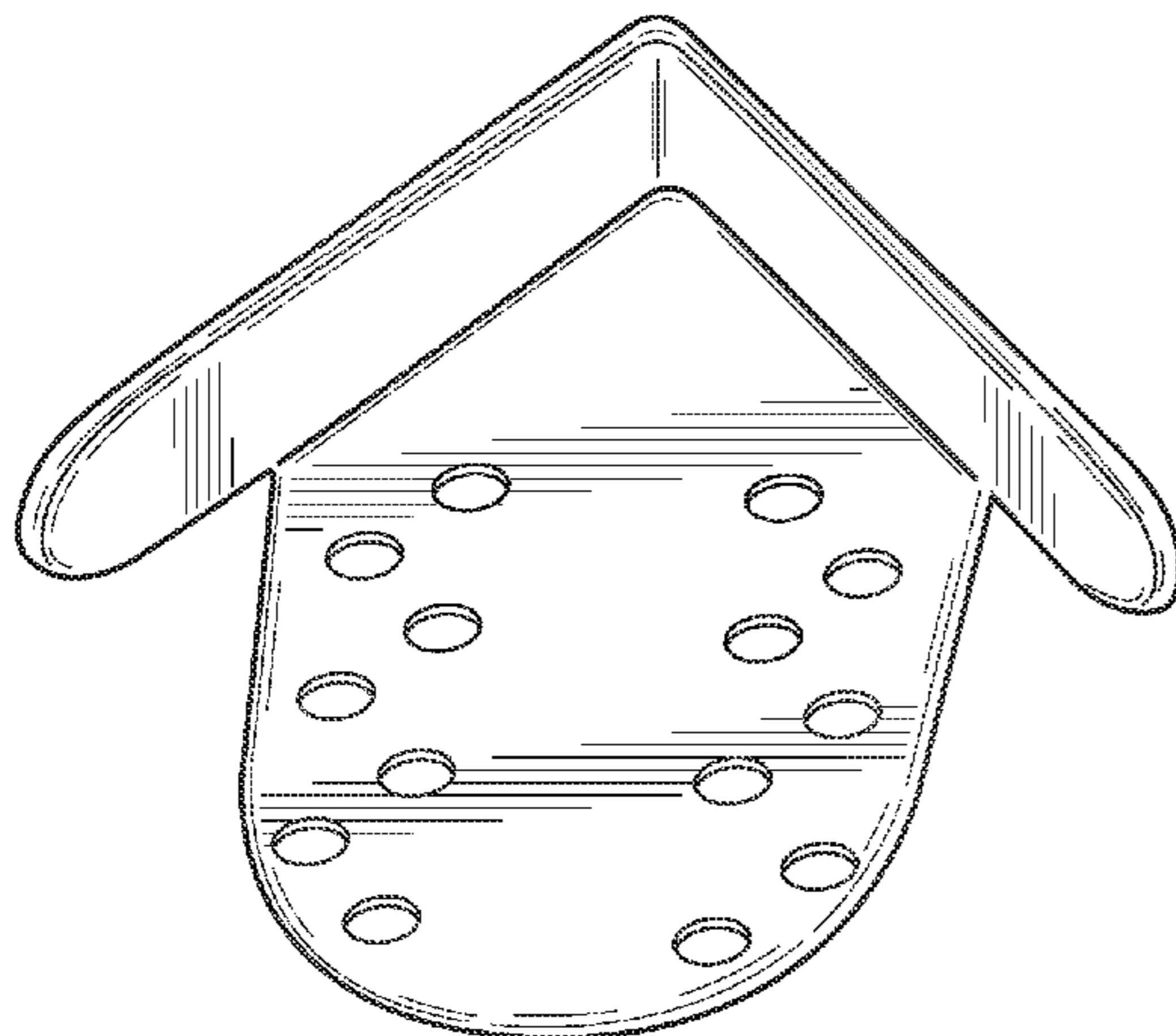
FIG. 11 is a front elevation view of the corner protector of FIG. 8;

FIG. 12 is a rear elevation view of the corner protector of FIG. 8;

FIG. 13 is a left elevation view of the corner protector of FIG. 8; and,

FIG. 14 is a right elevation view of the corner protector of FIG. 8.

1 Claim, 10 Drawing Sheets



US D640,919 S

Page 2

U.S. PATENT DOCUMENTS

D260,590 S 9/1981 Hobson
4,287,265 A 9/1981 McKnight
4,496,054 A 1/1985 Koltun
4,529,091 A 7/1985 Martin
D287,446 S 12/1986 Cowle
4,742,916 A 5/1988 Galea
4,838,427 A 6/1989 Hurley
4,851,286 A 7/1989 Maurice
4,852,744 A 8/1989 Van Breemen
5,108,031 A * 4/1992 Watson 229/199
5,175,041 A 12/1992 Webb et al.
5,297,682 A 3/1994 Miltenberger
5,311,825 A 5/1994 Bonham
5,370,229 A 12/1994 Kroeckel et al.
D356,946 S 4/1995 Rekuc
5,549,868 A 8/1996 Carlson, II
D384,585 S 10/1997 Swarr
5,749,512 A 5/1998 Gingras-Taylor
5,772,037 A 6/1998 Hurley
5,868,372 A 2/1999 Novak et al.
D412,436 S 8/1999 Tsui
D416,476 S 11/1999 Engberg
6,007,469 A 12/1999 Jaegers et al.
6,039,184 A 3/2000 Gale
6,103,335 A 8/2000 Zoller et al.
6,202,848 B1 3/2001 Tindoll et al.
D453,101 S * 1/2002 Shiao D8/344
D454,371 S 3/2002 Goodman et al.
6,368,694 B1 4/2002 Marsh et al.
6,440,375 B1 8/2002 Davis et al.

6,470,637 B2 10/2002 Gratz
6,478,354 B1 11/2002 Eyal
D475,613 S 6/2003 Mullane
6,629,608 B2 10/2003 Hurley et al.
6,776,380 B1 8/2004 Kirk, Jr. et al.
6,840,372 B2 1/2005 Giles et al.
6,902,712 B2 6/2005 Davis
D518,526 S 4/2006 Benn
D537,337 S 2/2007 Brockington et al.
D560,485 S 1/2008 Lavelle
D573,013 S * 7/2008 Lavelle D8/403
7,413,157 B2 8/2008 Curnow et al.
7,422,185 B2 9/2008 Curnow et al.
D598,756 S 8/2009 Robichaud et al.
D602,350 S * 10/2009 Lavelle D8/403
D612,718 S * 3/2010 Lavelle D8/403
D618,995 S * 7/2010 Lavelle D8/403
7,780,136 B2 * 8/2010 Curnow et al. 248/345.1
D624,812 S * 10/2010 Lavelle D8/403
D624,813 S * 10/2010 Lavelle D8/403
2005/0244316 A1 11/2005 Davis
2006/0000745 A1 1/2006 Seelye et al.
2006/0243636 A1 11/2006 Robichaud et al.
2007/0251855 A1 11/2007 Curnow et al.

FOREIGN PATENT DOCUMENTS

EP 1357056 10/2003
WO 9410058 5/1994
WO 2007019233 2/2007

* cited by examiner

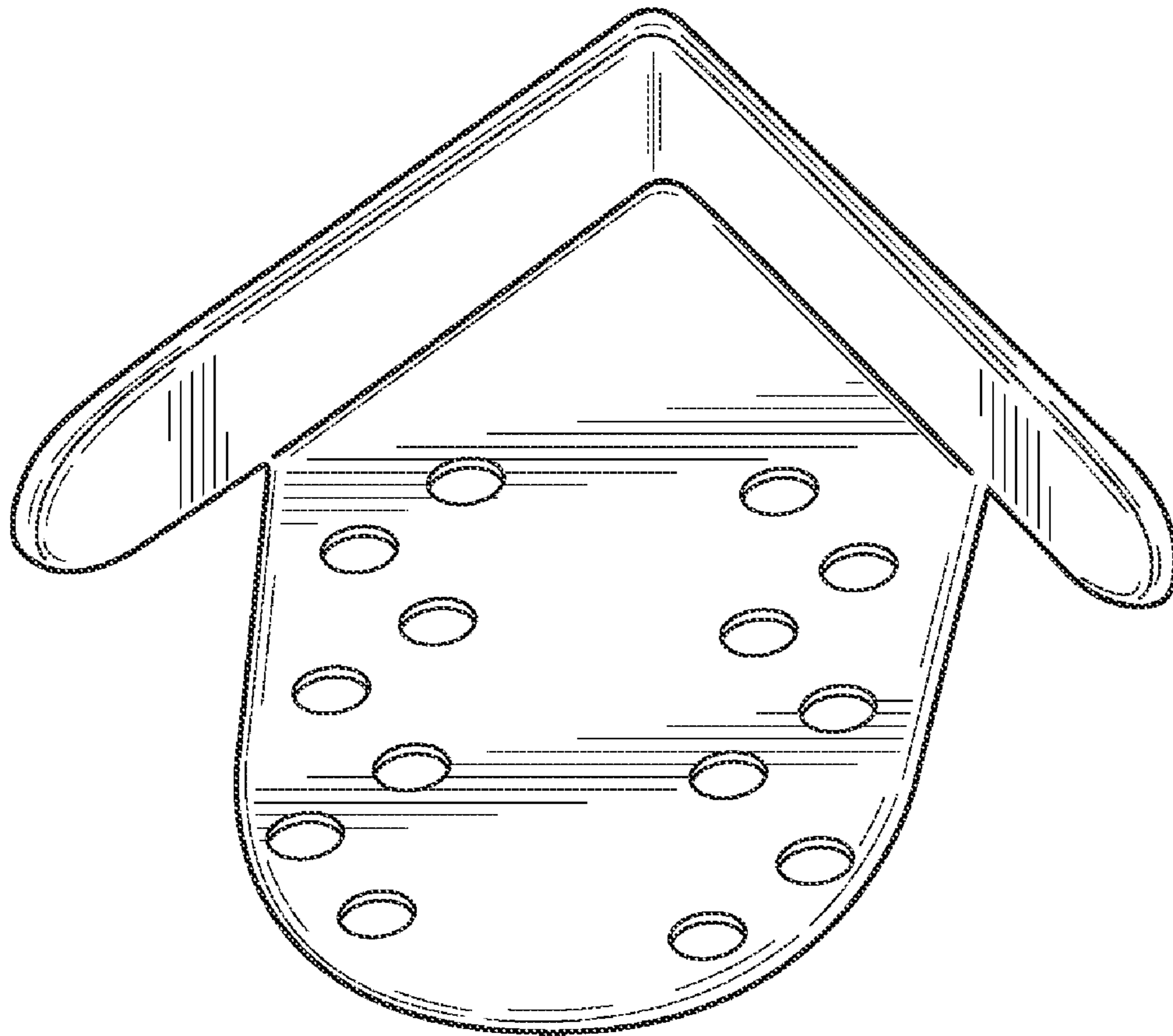


FIG. 1

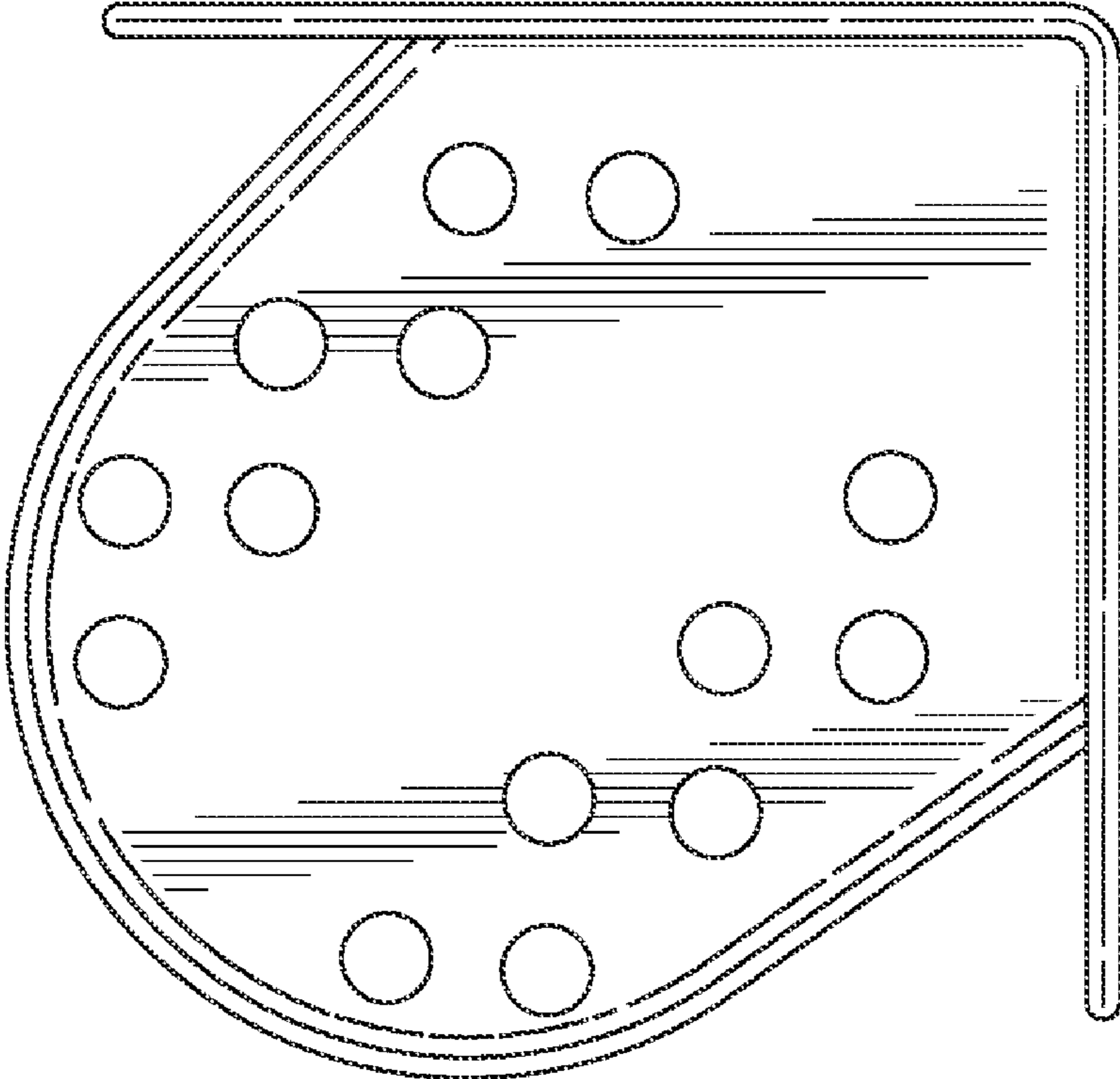


FIG. 2

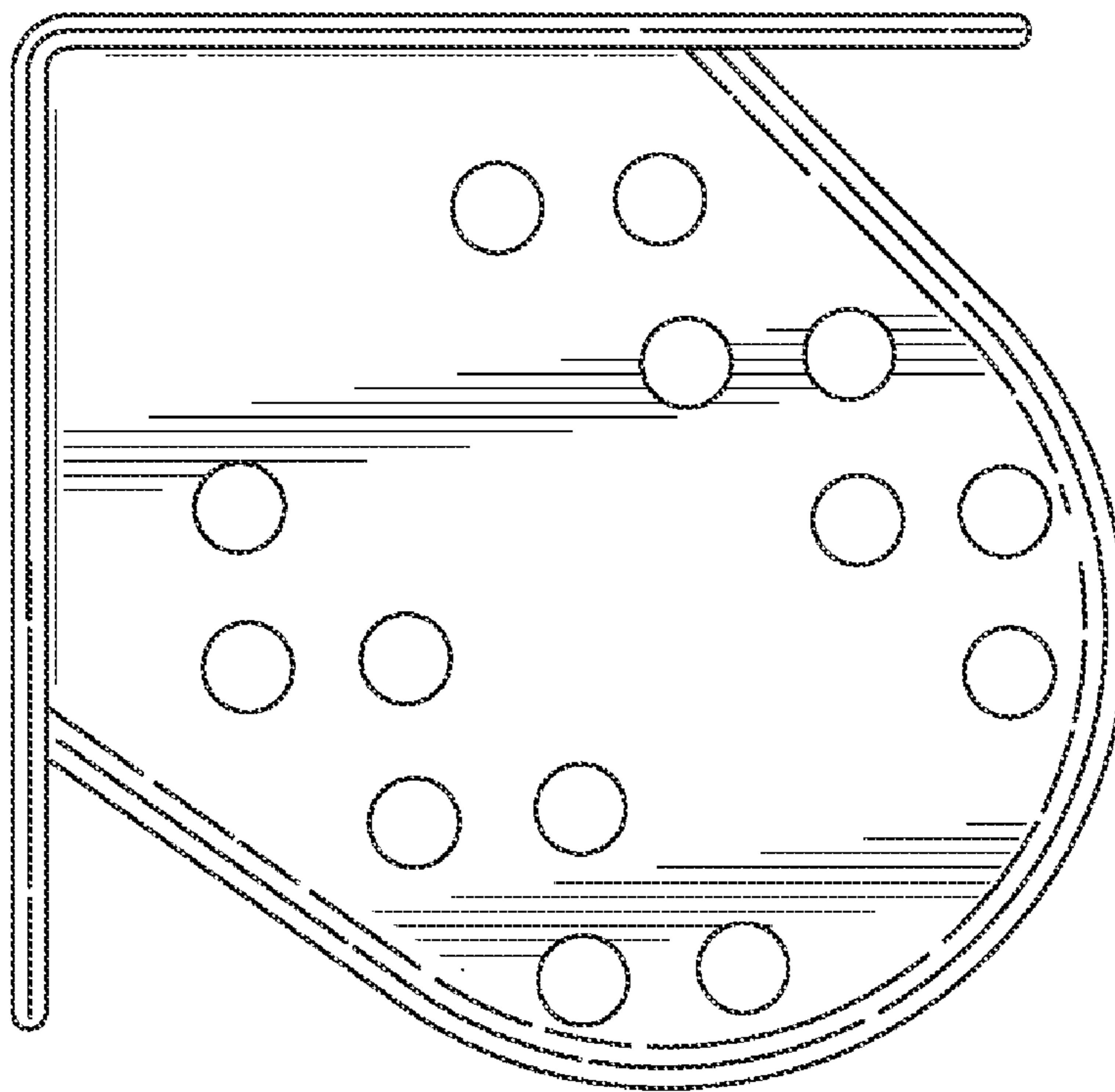


FIG. 3

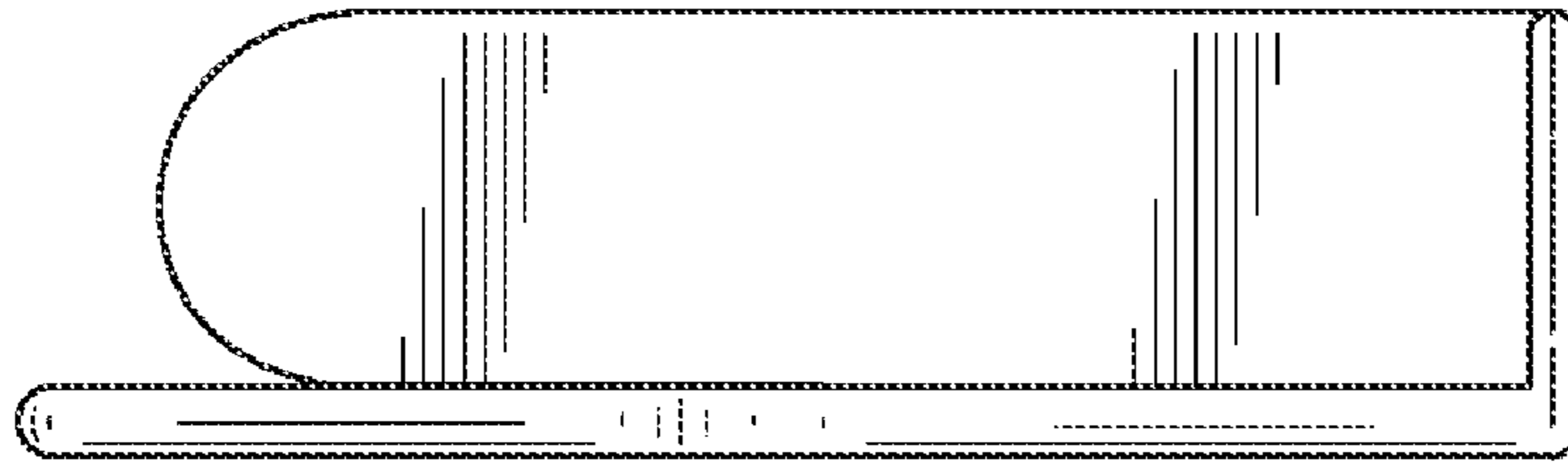


FIG. 4

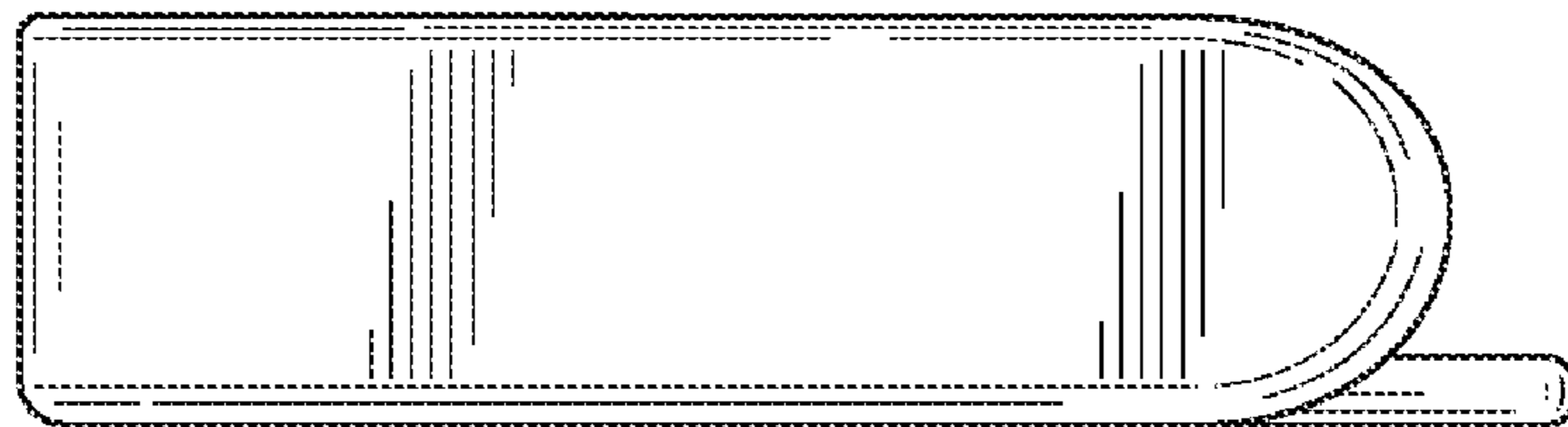


FIG. 5

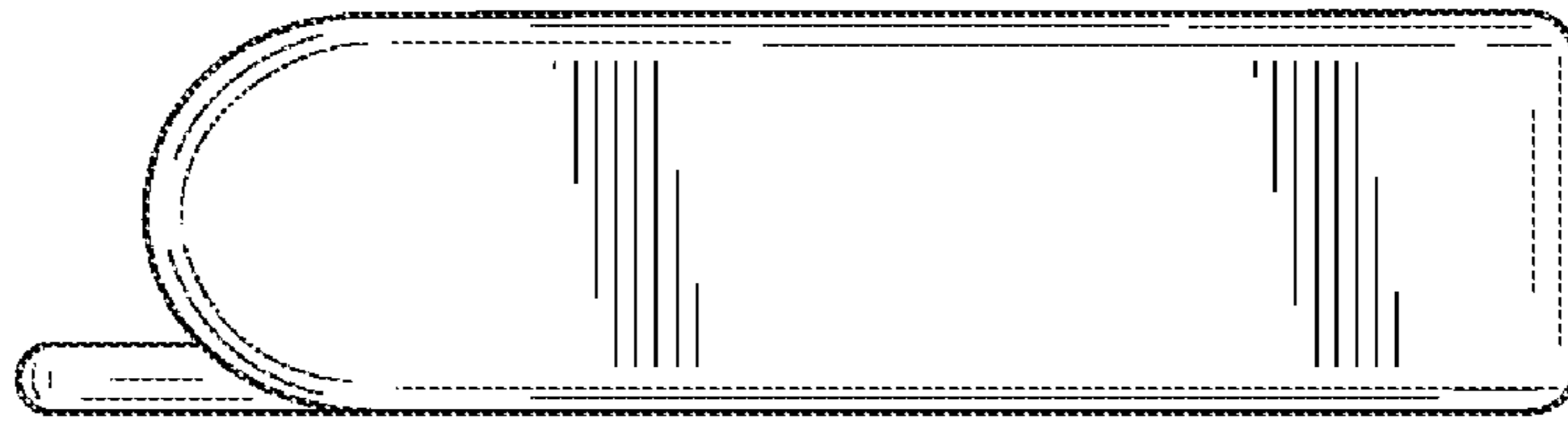


FIG. 6

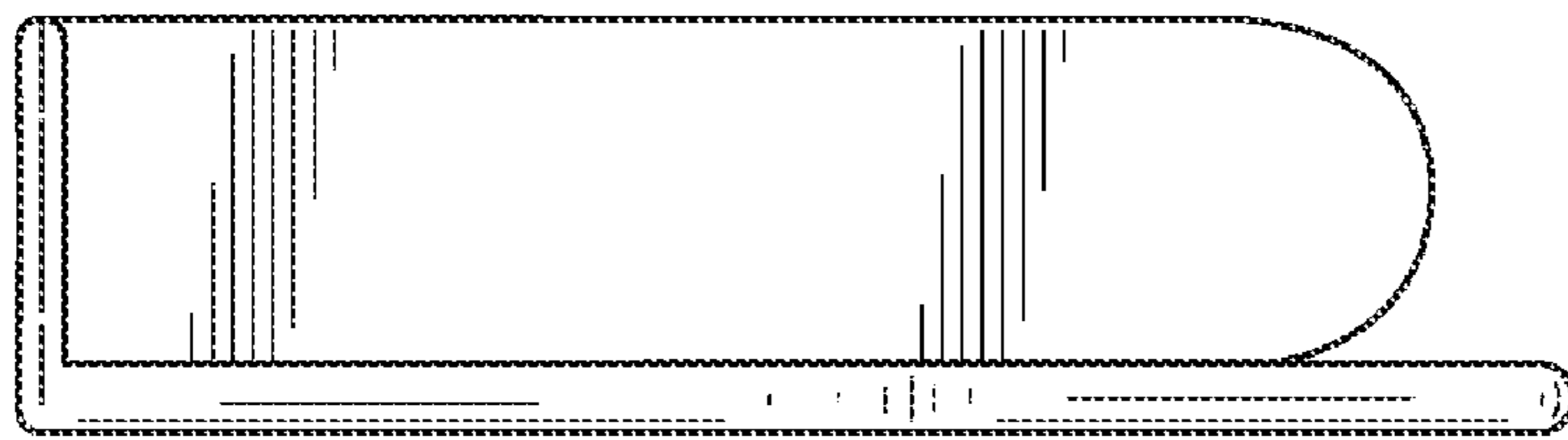


FIG. 7

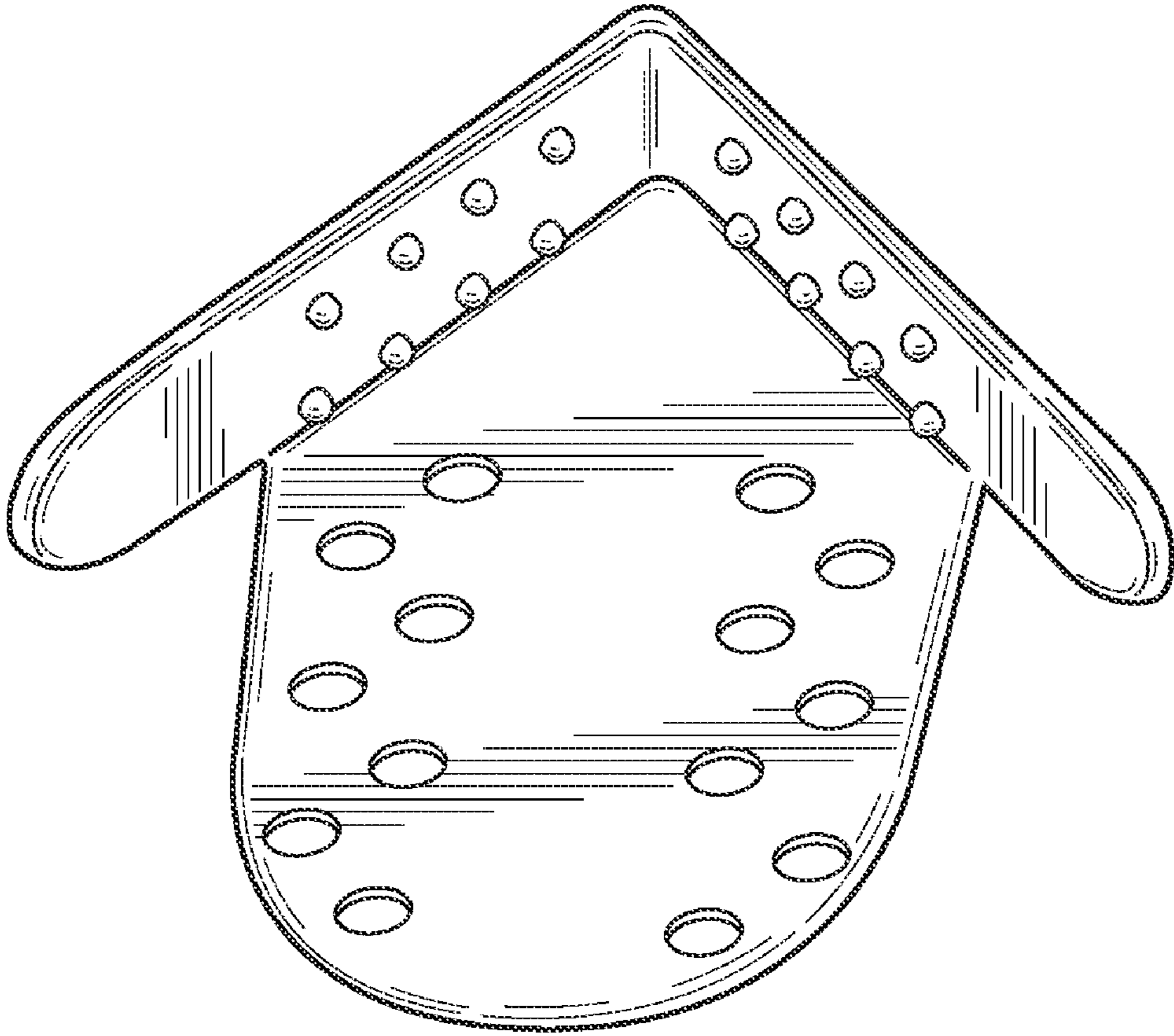


FIG. 8

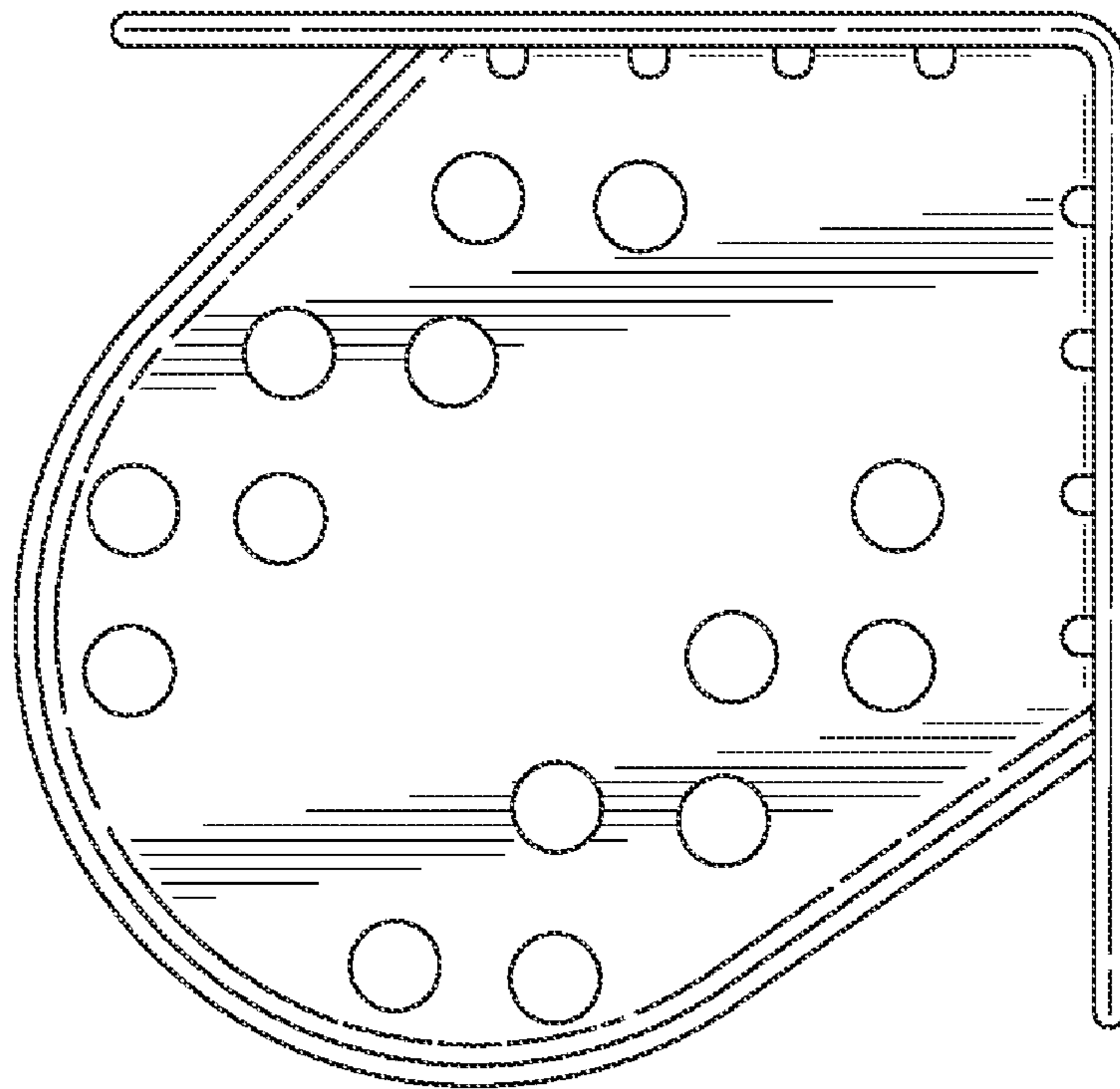


FIG. 9

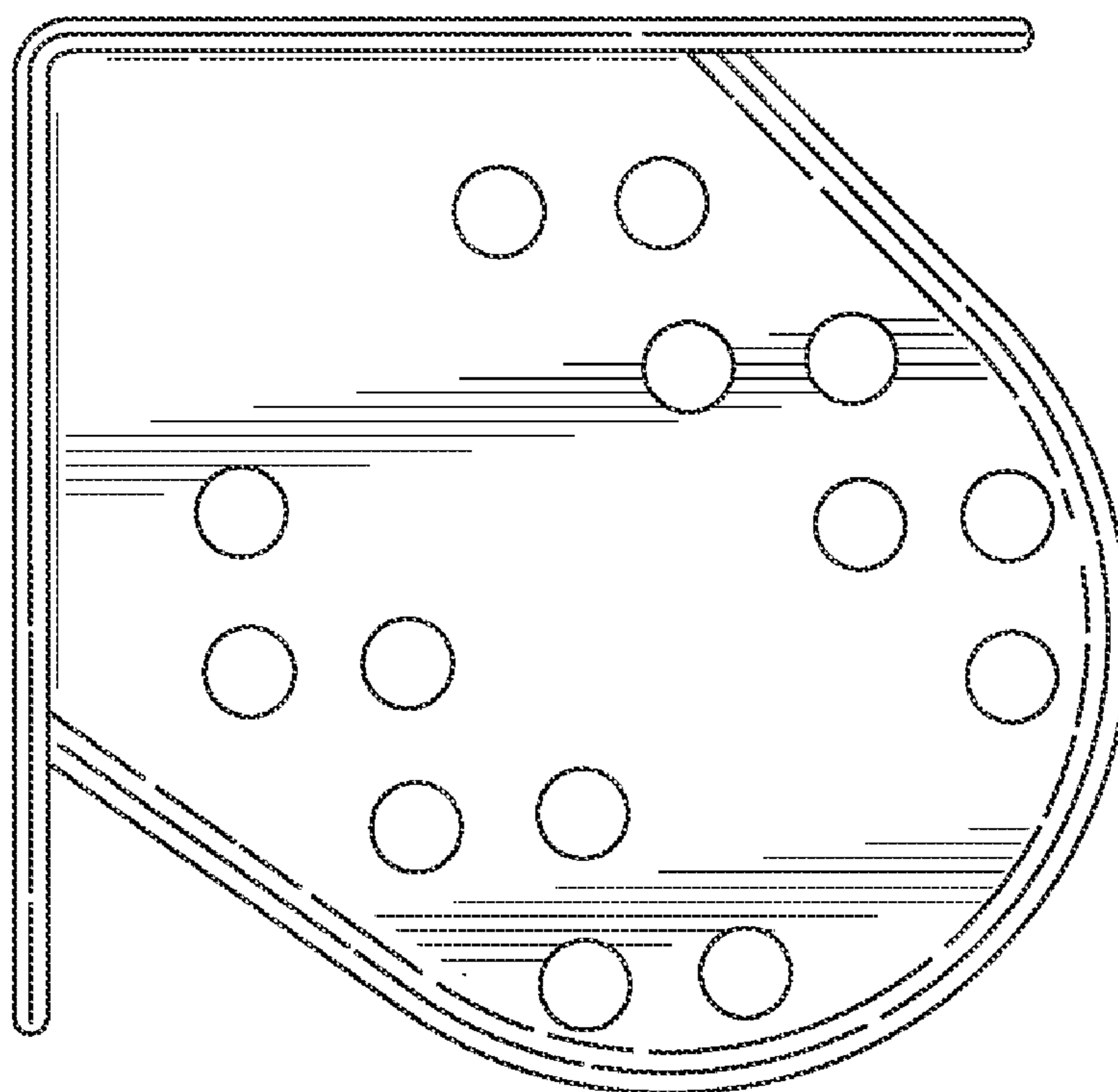


FIG. 10

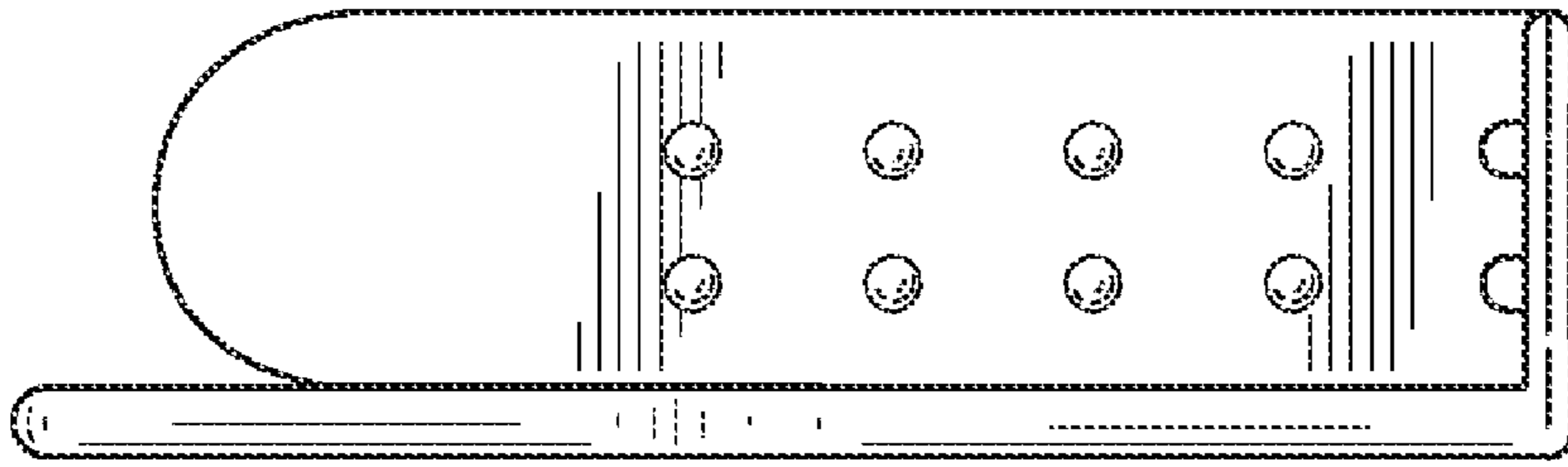


FIG. 11



FIG. 12

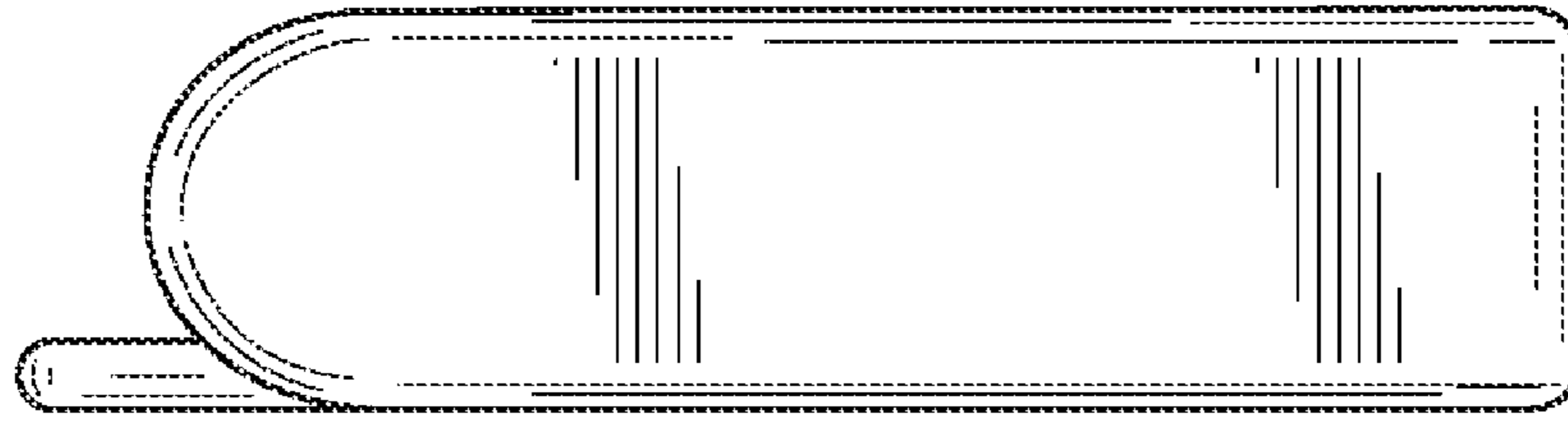


FIG. 13

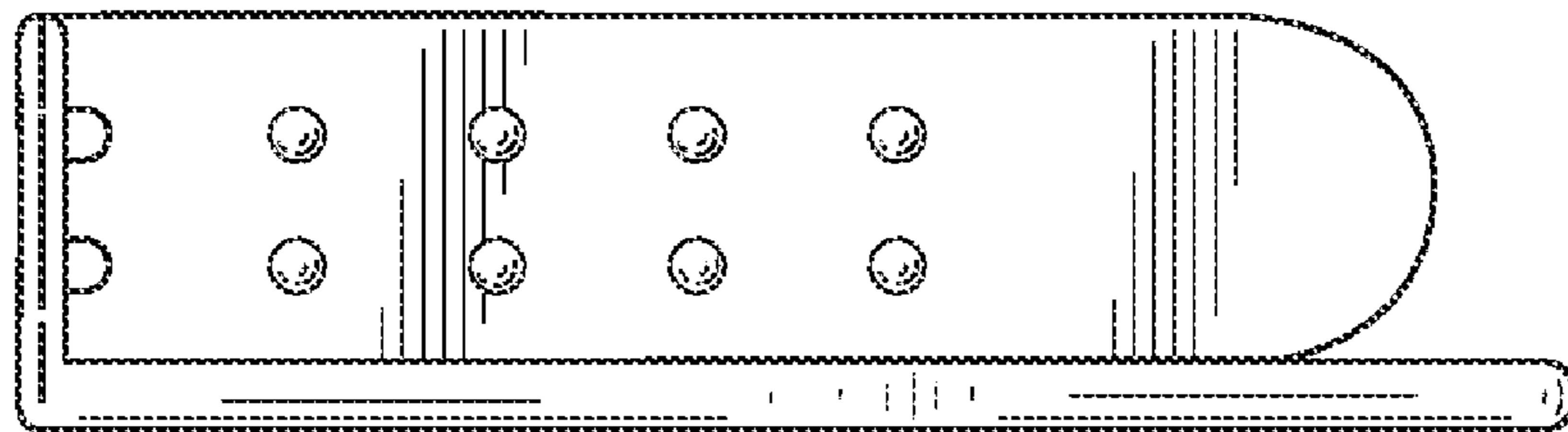


FIG. 14