



US00D640918S

(12) **United States Design Patent**
Totsu

(10) **Patent No.:** **US D640,918 S**

(45) **Date of Patent:** **** Jul. 5, 2011**

(54) **SCREW**

(76) Inventor: **Katsuyuki Totsu**, Sumida-ku (JP)

(**) Term: **14 Years**

(21) Appl. No.: **29/370,271**

(22) Filed: **Jun. 23, 2010**

(51) **LOC (9) Cl.** **08-08**

(52) **U.S. Cl.** **D8/387**

(58) **Field of Classification Search** D8/387;
411/403, 337, 378, 410, 402, 411, 393
See application file for complete search history.

(56) **References Cited**

U.S. PATENT DOCUMENTS

3,592,100	A *	7/1971	Mackiewicz et al.	411/403
D227,442	S *	6/1973	Masahito	D8/387
D285,651	S *	9/1986	Iwata et al.	D8/387
5,279,190	A *	1/1994	Goss et al.	81/460
6,017,177	A *	1/2000	Lanham	411/410
D559,094	S *	1/2008	Totsu	D8/387
D568,731	S *	5/2008	Campbell	D8/387
D580,261	S *	11/2008	Bulte	D8/387
D592,044	S *	5/2009	Bulte	D8/387
D599,650	S *	9/2009	Simms	D8/387
D612,230	S *	3/2010	Tanner	D8/387

* cited by examiner

Primary Examiner — Holly Baynham

Assistant Examiner — Sheryl Lane

(74) *Attorney, Agent, or Firm* — DLA Piper LLP (US)

(57) **CLAIM**

The ornamental design for a screw, as shown and described.

DESCRIPTION

FIG. 1 is a front elevational view of the screw showing my new design;
 FIG. 2 is a rear elevational view thereof;
 FIG. 3 is a left side elevational view thereof;
 FIG. 4 is a right side elevational view thereof;
 FIG. 5 is a top plan view thereof,
 FIG. 6 is a bottom plan view thereof;
 FIG. 7 is a perspective view thereof;
 FIG. 8 is a cross sectional view taken along the lines 8—8 in FIG. 5, showing the shape of the grooves in the screw head; and,
 FIG. 9 is a cross sectional view taken along the lines 9—9 in FIG. 5, showing the shape of the grooves in the screw head. The broken line showing of screw is included for the purpose of illustrating portions of the screw and forms no part of the claimed design.

1 Claim, 5 Drawing Sheets

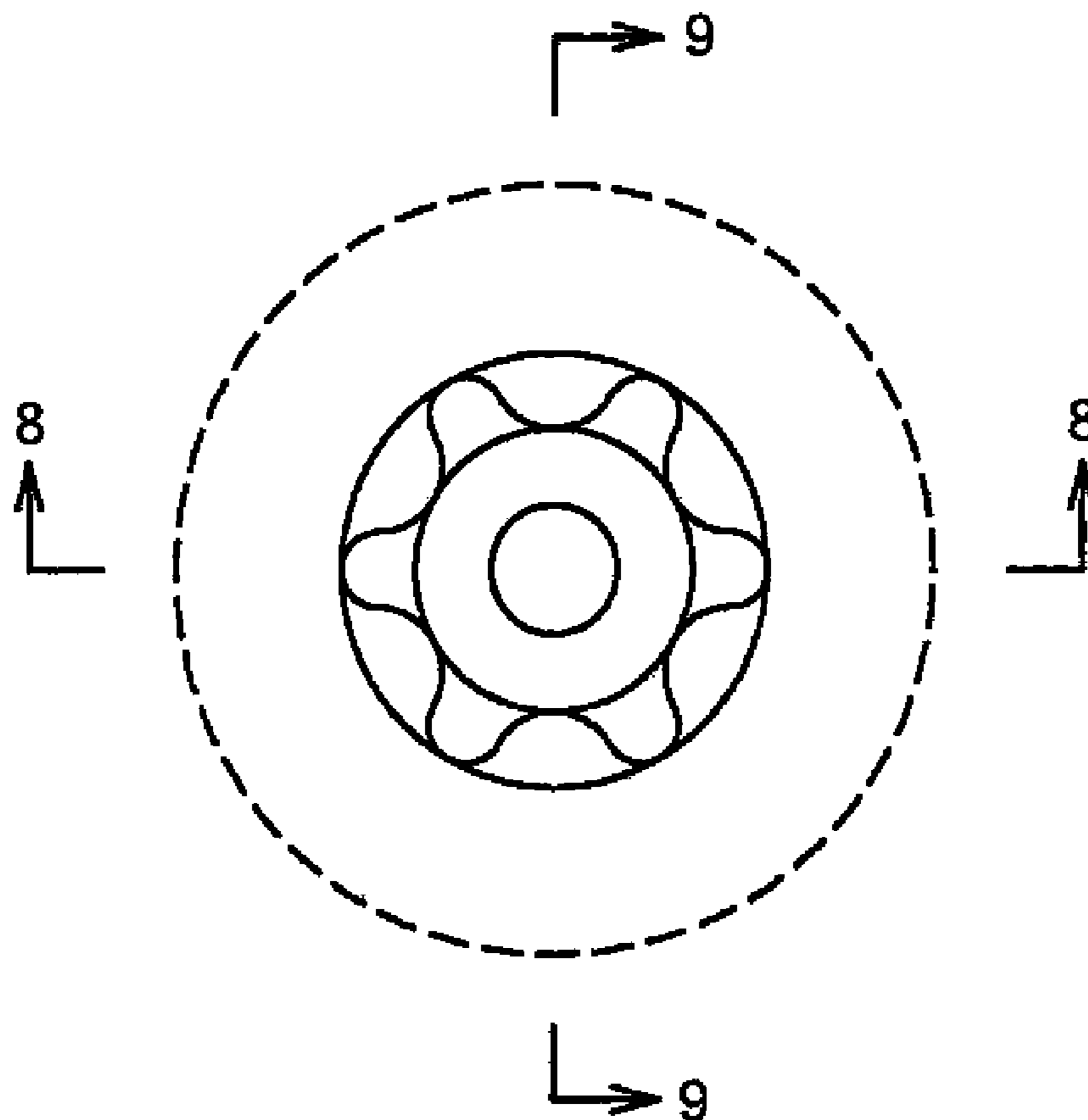


FIG. 1

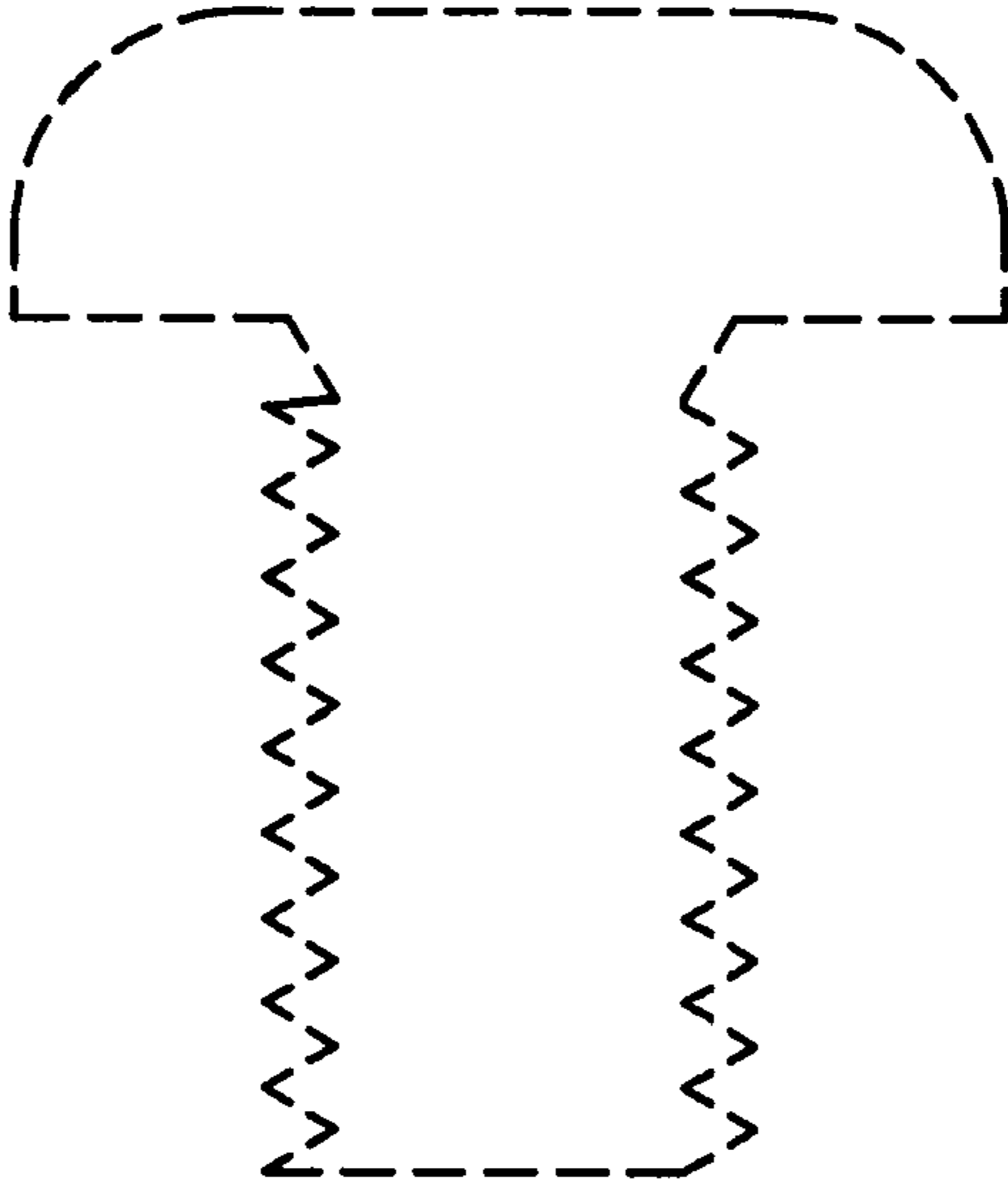


FIG. 2

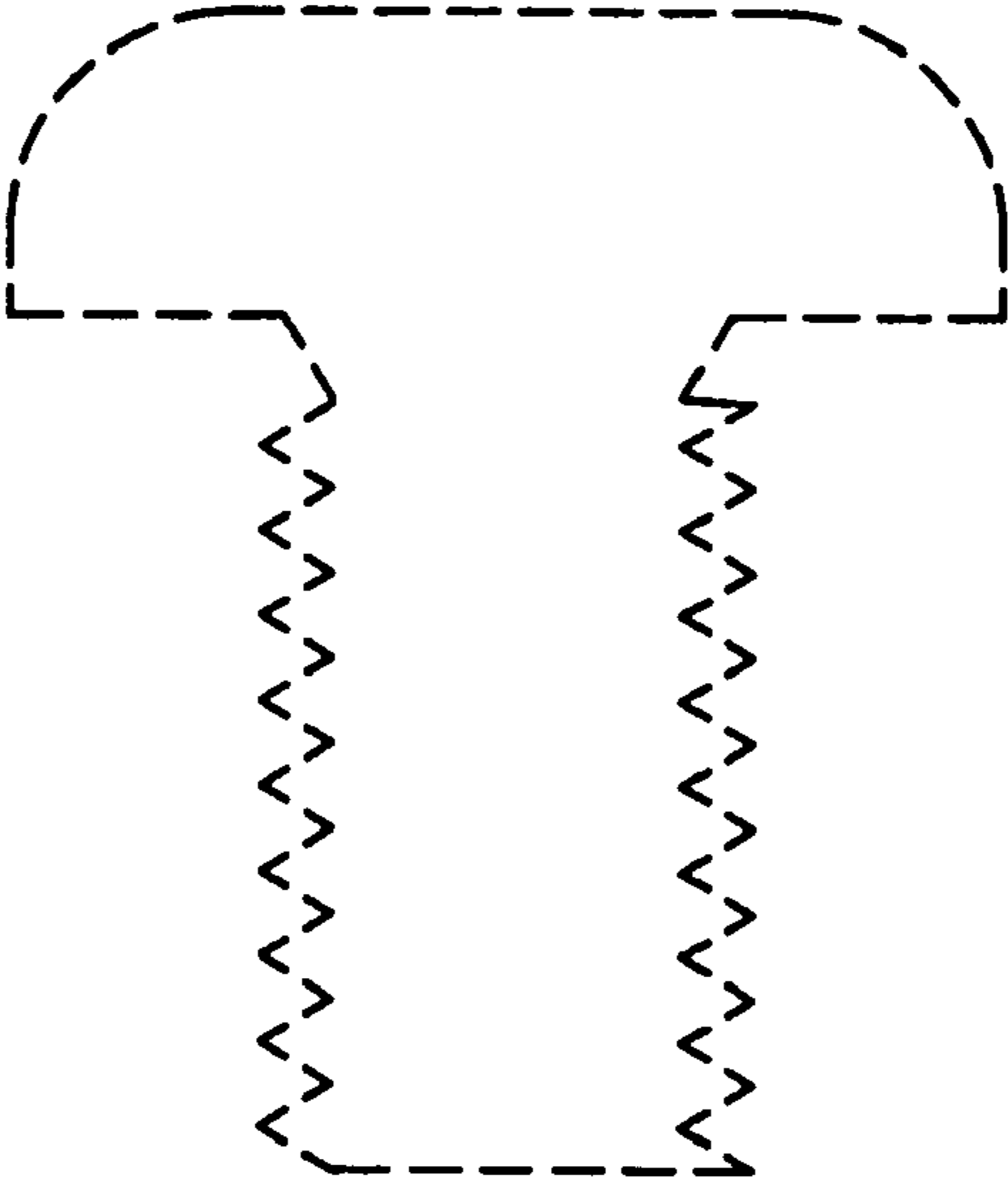


FIG. 3

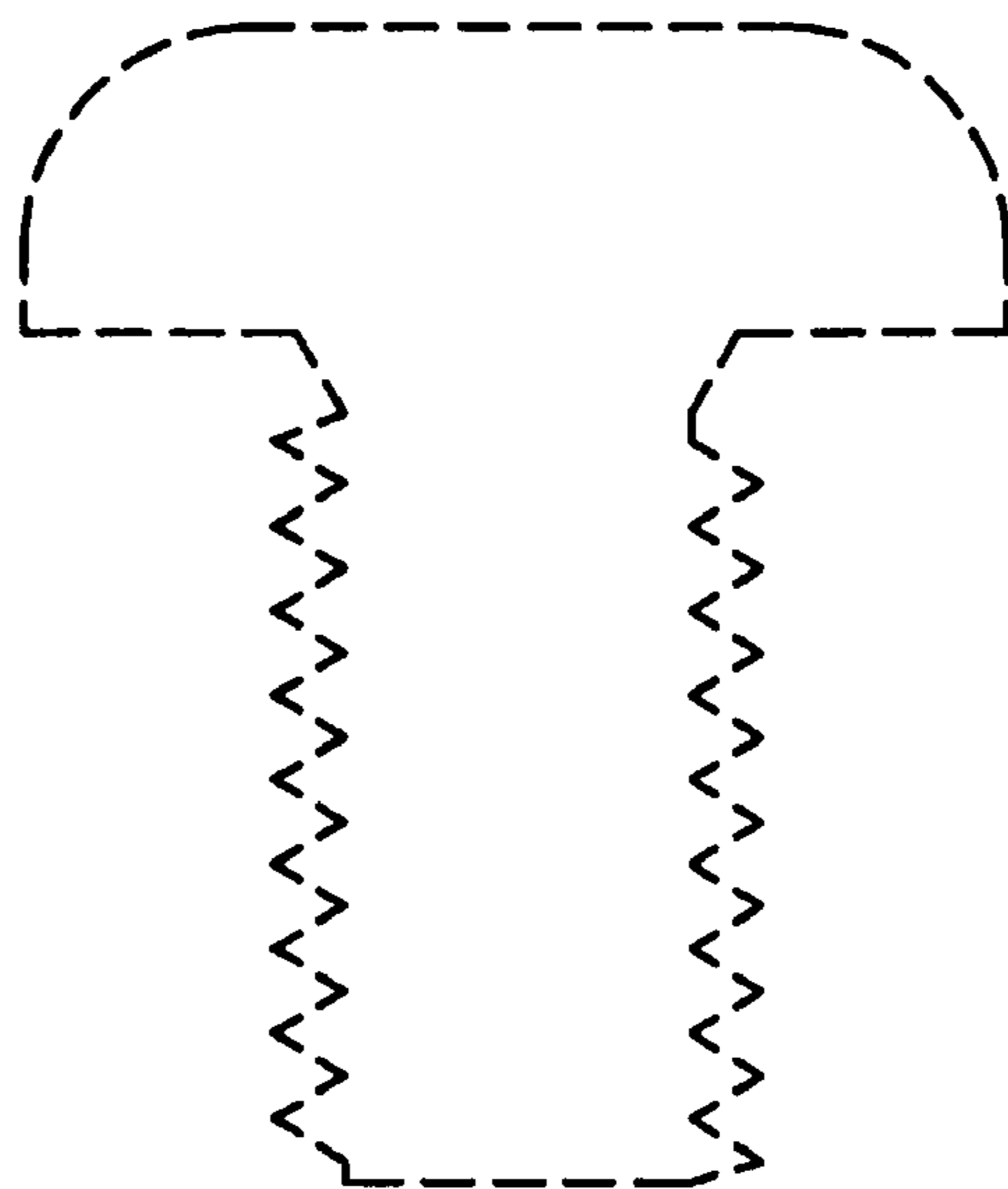


FIG. 4

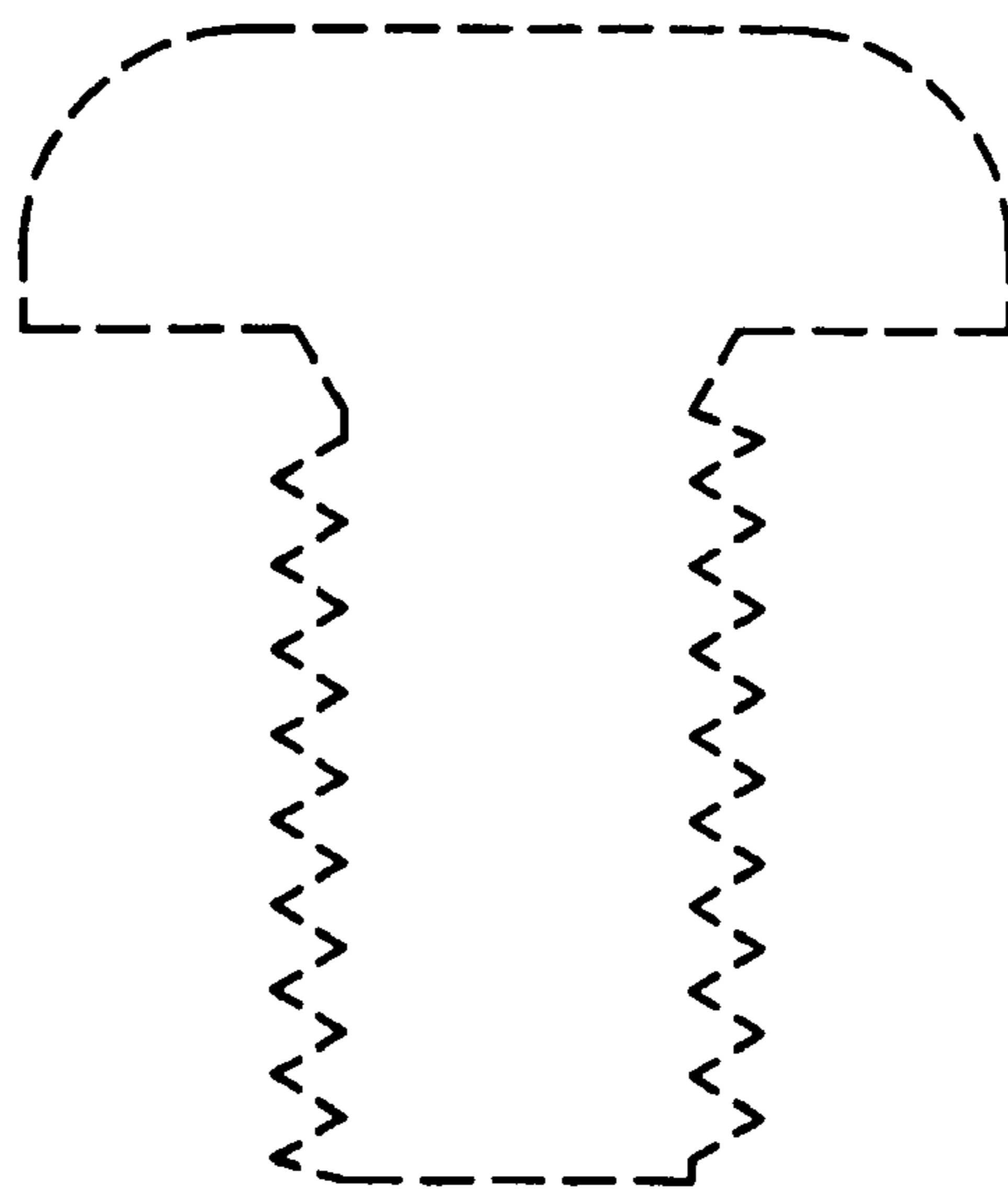


FIG. 5

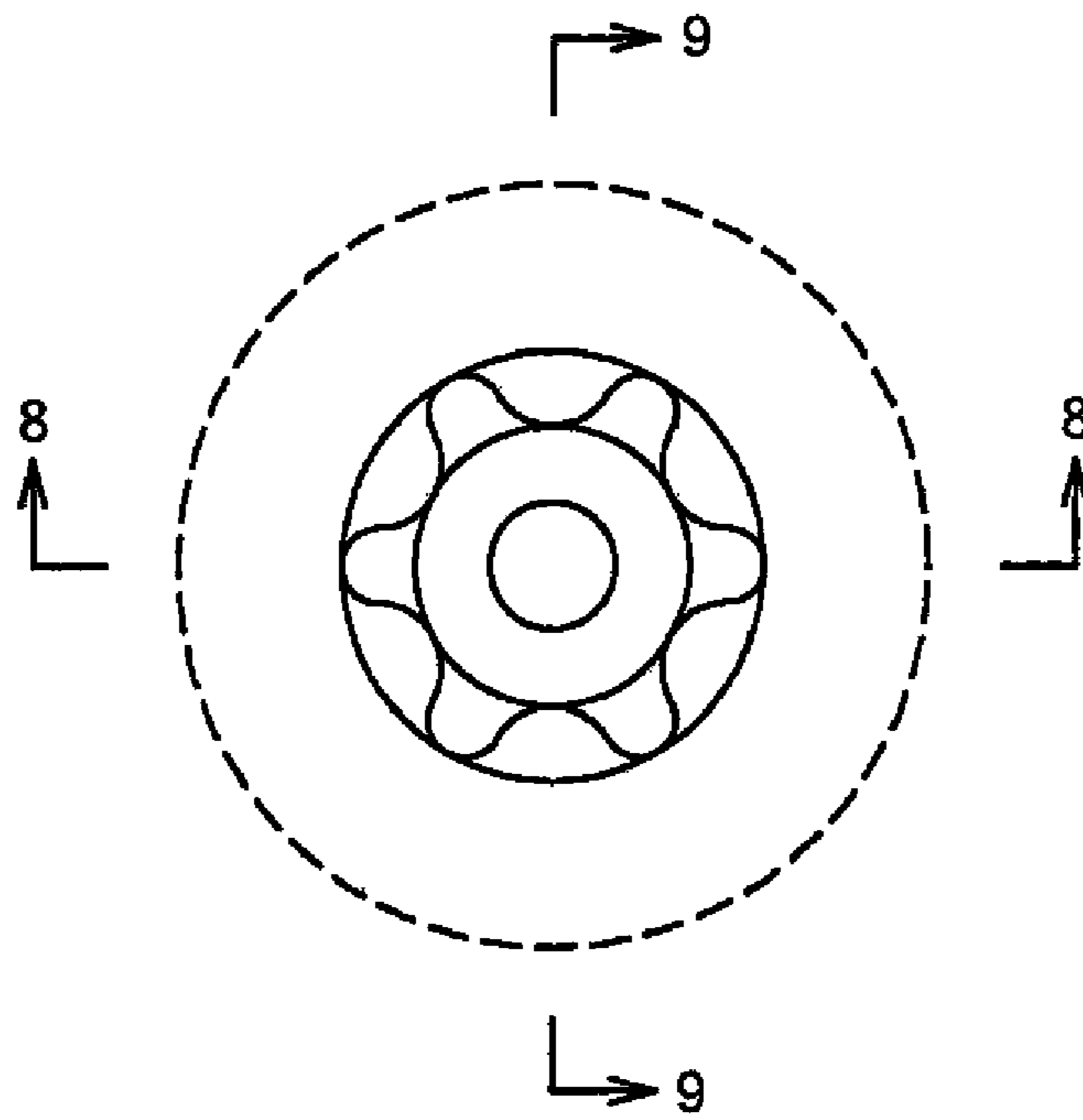


FIG. 6

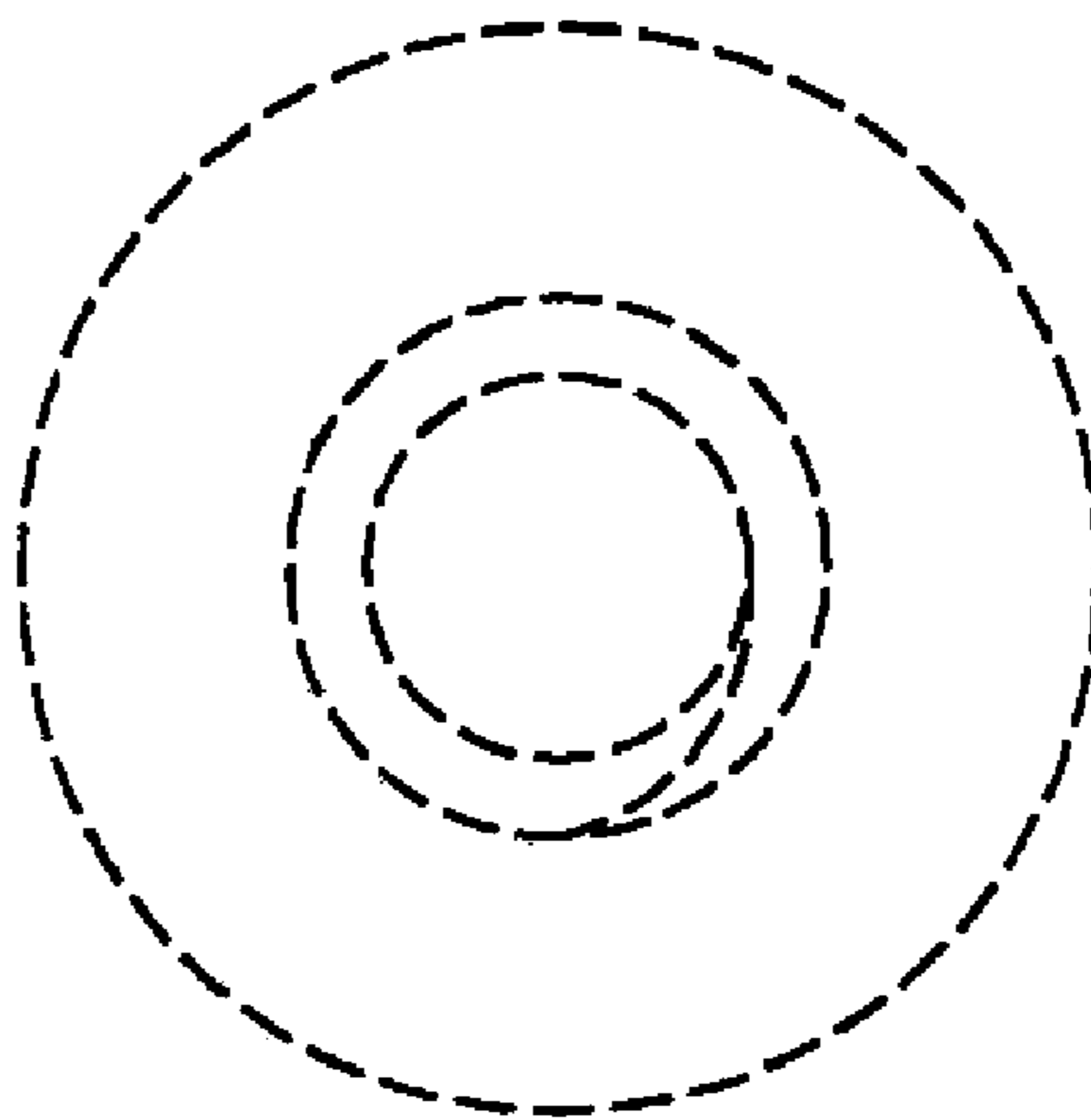


FIG. 7

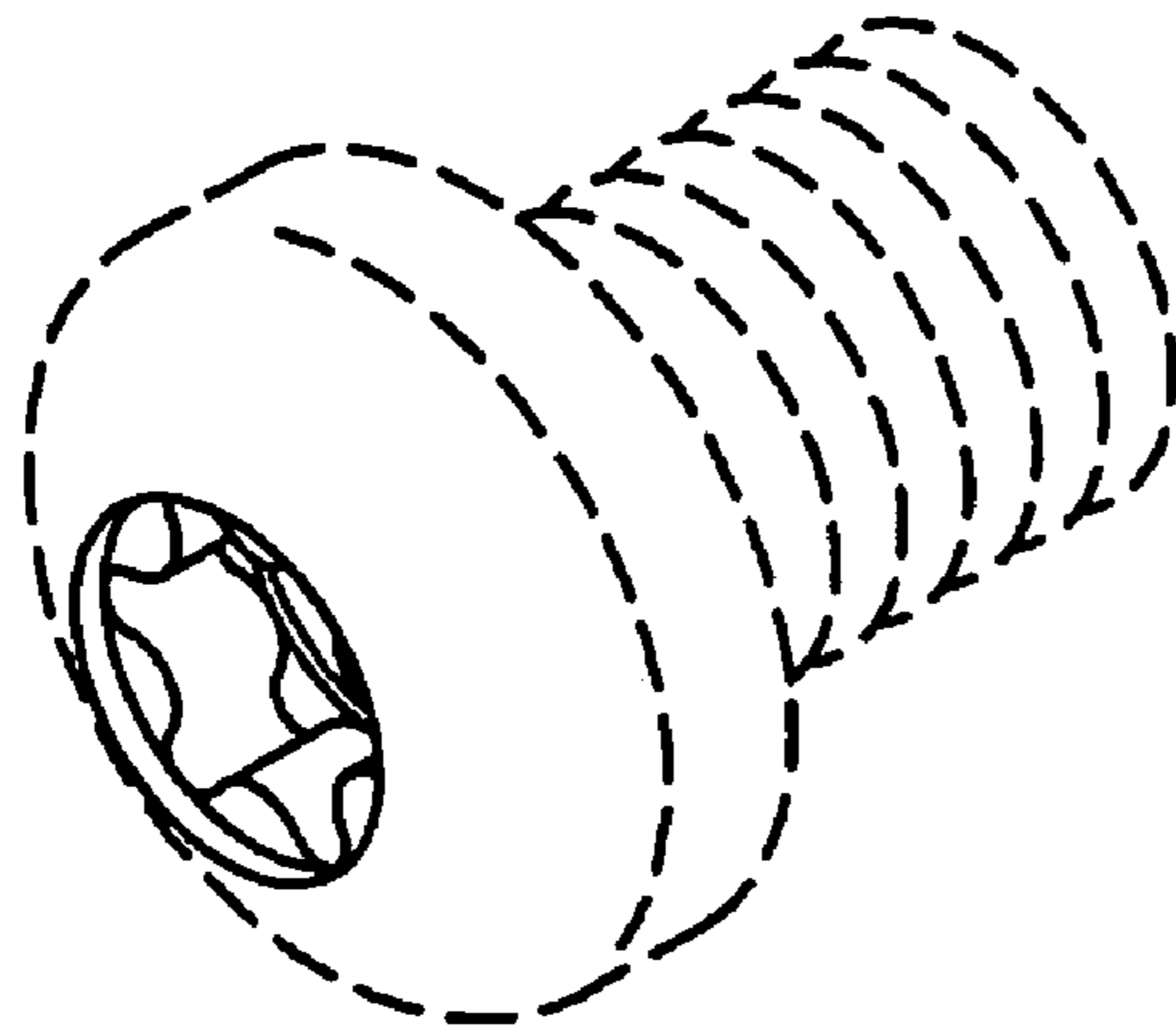


FIG. 8

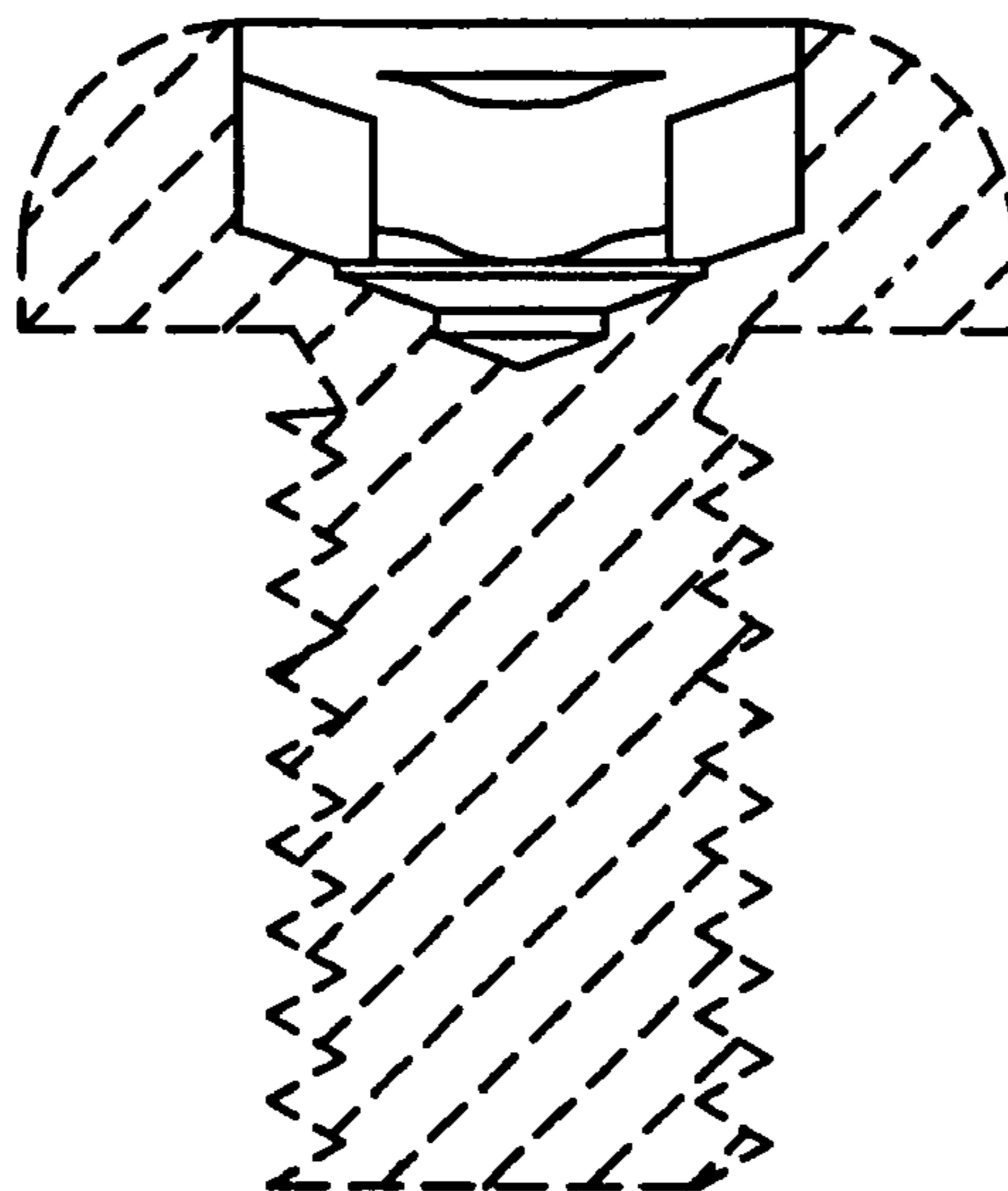


FIG. 9

