



US00D640913S

(12) **United States Design Patent**  
**Goulden et al.**

(10) **Patent No.:** **US D640,913 S**

(45) **Date of Patent:** **\*\* Jul. 5, 2011**

(54) **CABLE MANAGEMENT BRACKET FOR A NETWORKING MODULE**

(75) Inventors: **Jason E. Goulden**, Los Gatos, CA (US);  
**David A. Pearson**, Sunnyvale, CA (US)

(73) Assignee: **Cisco Technology, Inc.**, San Jose, CA (US)

(\*\*) Term: **14 Years**

(21) Appl. No.: **29/369,284**

(22) Filed: **Sep. 5, 2010**

(51) **LOC (9) Cl.** ..... **08-05**

(52) **U.S. Cl.** ..... **D8/356**

(58) **Field of Classification Search** ..... D8/364,  
D8/356, 34, 347, 354, 349, 352, 355, 367,  
D8/368, 384, 499; D13/152; 385/87; 248/73;  
D7/543; 24/598.2, 601.5, 581.1, 582.12;  
D6/546; 160/123

See application file for complete search history.

(56) **References Cited**

**U.S. PATENT DOCUMENTS**

750,033	A *	1/1904	Horlacher	289/17
D52,629	S *	11/1918	Bissell	D13/152
D180,065	S *	4/1957	Cantwell	D8/356
3,286,963	A *	11/1966	Bergman	248/74.2
D237,845	S *	12/1975	Saji	D11/202
D240,486	S *	7/1976	Raffler et al.	D8/356
3,989,210	A *	11/1976	Berkman et al.	248/73
D329,194	S *	9/1992	Gillooly	D8/356
D355,583	S *	2/1995	Beauchane	D8/356
D357,400	S *	4/1995	Sachs	D8/356
D360,353	S *	7/1995	Schriever	D8/356
5,835,652	A *	11/1998	Yagi et al.	385/87
5,871,370	A *	2/1999	Kameyama et al.	439/557
D418,393	S *	1/2000	Proctor	D8/354
D458,533	S *	6/2002	Sonju	D8/356
D473,782	S *	4/2003	Wu et al.	D8/356
D538,136	S *	3/2007	Barden et al.	D8/356
D592,939	S *	5/2009	Kelleghan	D8/356
D618,985	S *	7/2010	Sjoqvist	D8/356
D625,985	S *	10/2010	Mori et al.	D8/356

**OTHER PUBLICATIONS**

U.S. Appl. No. 29/369,283, filed Sep. 5, 2010, entitled "Rack Mount Networking Device With Cable Management Features," Inventors: Jason E. Goulden et al.  
Panduit, "Products Overview: Products for your demanding requirements," retrieved and printed Sep. 5, 2010, 1 page; <http://www.panduit.com/Products/ProductOverviews/index.htm>.  
Belkin, "Belkin: Cable Management," retrieved and printed Sep. 5, 2010, 3 pages; [http://catalog.belkin.com/TWCatSectionView.process?Section\\_Id=43](http://catalog.belkin.com/TWCatSectionView.process?Section_Id=43).  
Panduit, Parts Drawing, retrieved and printed Sep. 5, 2010, 1 page; <http://www.panduit.com/groups/MPM-BR/documents/PartDrawing/101890.pdf>.

(Continued)

*Primary Examiner* — Cynthia Underwood

(74) *Attorney, Agent, or Firm* — Patent Capital Group

(57) **CLAIM**

The ornamental design for a cable management bracket for a networking module, as shown and described.

**DESCRIPTION**

FIG. 1 is a top perspective view of a cable management bracket for a networking module shown in an environment of use.

FIG. 2 is a top perspective view of a cable management bracket of the networking module;

FIG. 3 is a front view of the cable management bracket of the networking module;

FIG. 4 is a back view of the cable management bracket of the networking module;

FIG. 5 is a side view of the cable management bracket of the networking module;

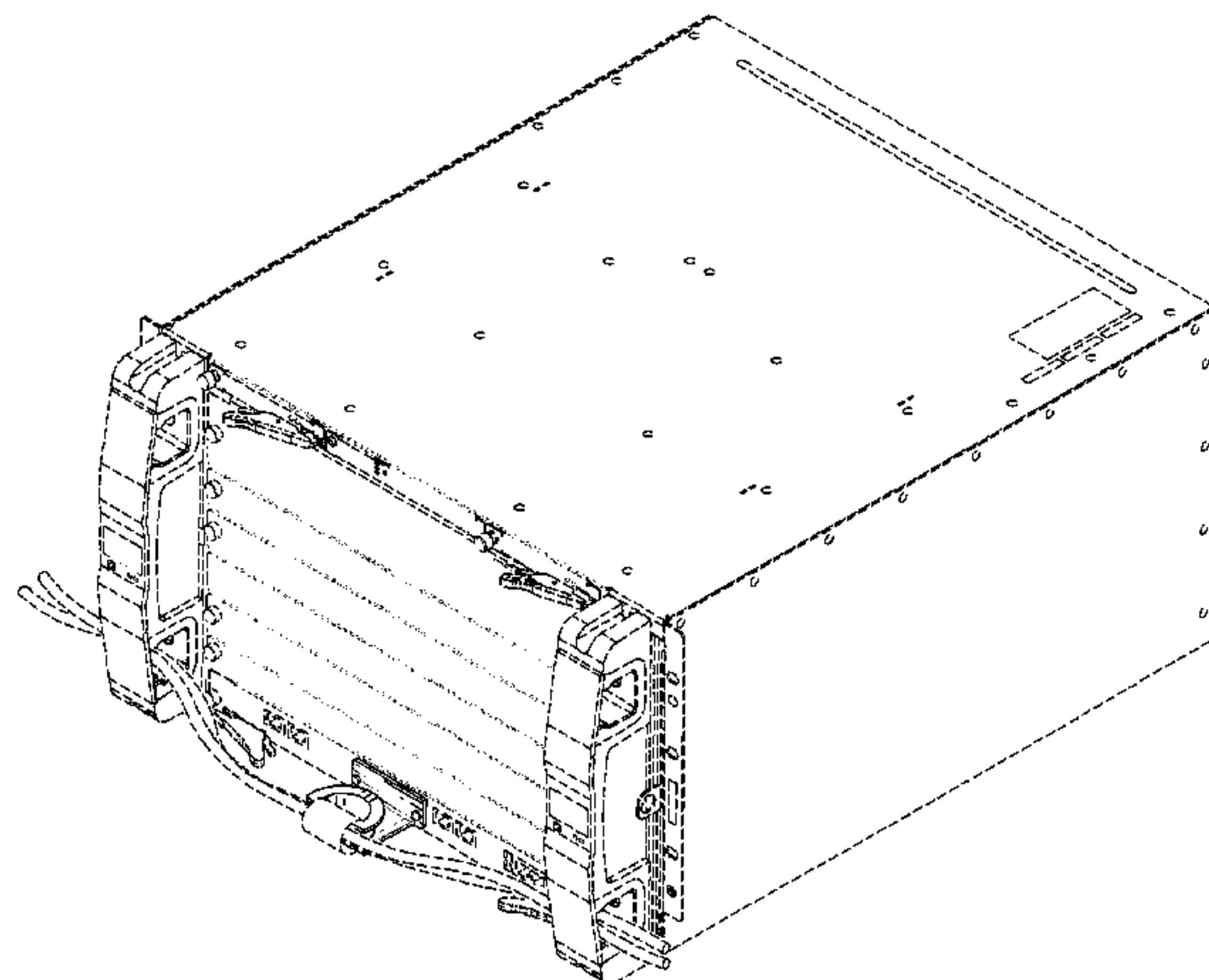
FIG. 6 is another side view of the cable management bracket of the networking module;

FIG. 7 is a top view of the cable management bracket of the networking module; and,

FIG. 8 is a bottom view of the cable management bracket of the networking module.

The broken lines represent a portion of the structure that forms no part of the claim.

**1 Claim, 6 Drawing Sheets**



OTHER PUBLICATIONS

Panduit, "Products Overview: Rack Systems—NetRack Cable Management System," 1 page; [retrieved and printed on Dec. 13, 2010] [http://panduit.com/Products/ProductOverviews/ProductSearch/index.htm?lastNodeID=ss\\_prod\\_cabinetsrackscables&N=5000001+1162&Nu=P\\_RollupKey](http://panduit.com/Products/ProductOverviews/ProductSearch/index.htm?lastNodeID=ss_prod_cabinetsrackscables&N=5000001+1162&Nu=P_RollupKey).

Panduit, "Parts Drawing: Center Door 8" for Netframe and Netrack," 1 page; [retrieved and printed on Dec. 15, 2010] <http://www.panduit.com/groups/MPM-BR/documents/PartDrawing/099107.pdf>.

Panduit, "Parts Drawing: Slack Spool Spacer 8" for Netrack," 1 page; [retrieved and printed on Dec. 15, 2010] <http://www.panduit.com/groups/MPM-BR/documents/PartDrawing/101891.PDF>.

Panduit, "Installation Instructions: Modular NetFrame Rack and Accessories: CM281G," 4 pages; [retrieved and printed on Dec. 15, 2010] <http://www.panduit.com/groups/MPM-BR/documents/InstallationInstruction/072700.pdf>.

Panduit, "Parts Drawing: NetRack 24," 1 page; [retrieved and printed on Dec. 15, 2010] <http://www.panduit.com/groups/MPM-BR/documents/PartDrawing/099448.pdf>.

Panduit, "Parts Drawing: Netrack 2x84 Hinged Door Assembly," 1 page; [retrieved and printed on Dec. 15, 2010] <http://www.panduit.com/groups/MPM-BR/documents/PartDrawing/099022.pdf>.

Panduit, "Parts Drawing: End Panel—Netframe or Netrack," 1 page; [retrieved and printed on Dec. 15, 2010] <http://www.panduit.com/groups/MPM-BR/documents/PartDrawing/077804.pdf>.

Panduit, "Parts Drawing: Part Drawing: Bend Radius Fingers," 1 page; [retrieved and printed on Dec. 15, 2010] <http://www.panduit.com/groups/MPM-BR/documents/PartDrawing/101889.pdf>.

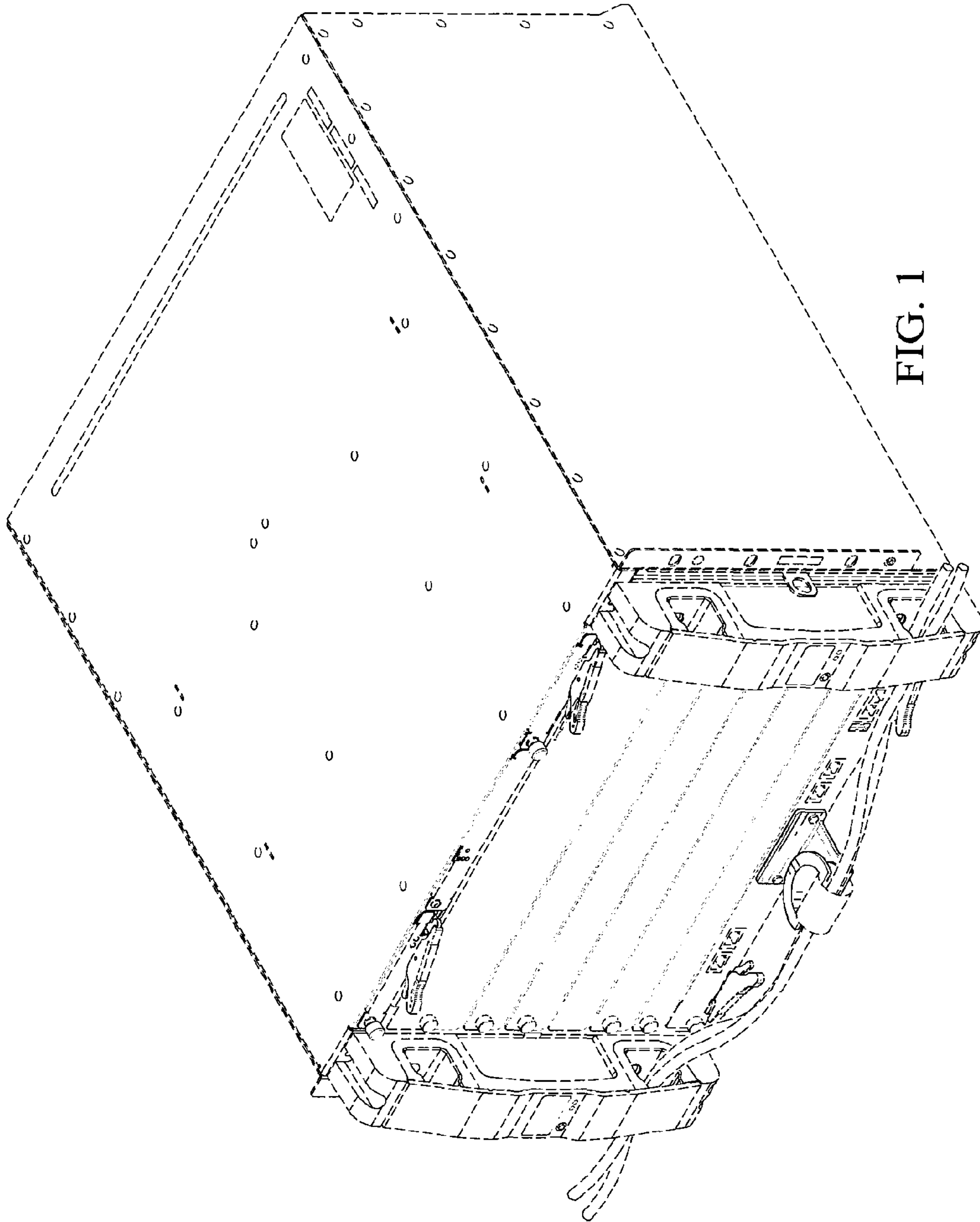
Panduit, "Press Releases: Netrack Rack System Optimized for Use in Raised Floor," 1 page; [retrieved and printed on Dec. 15, 2010] <http://www.panduit.com/AboutUs/MediaRoom/PressReleases/102120>.

Panduit, "Parts Drawing: Bend Radius Fingers Kit," 1 page; [retrieved and printed on Dec. 15, 2010] <http://www.panduit.com/groups/MPM-BR/documents/PartDrawing/101888.pdf>.

Panduit, "Parts Drawing: Center Hinge Door 12" for Netframe and Netrack," 1 page; [retrieved and printed on Dec. 15, 2010] <http://www.panduit.com/groups/MPM-BR/documents/PartDrawing/102134.pdf>.

Panduit, "Parts Drawing: NetRack 7' Heavy Duty 19," 1 page; [retrieved and printed on Dec. 15, 2010] <http://www.panduit.com/groups/MPM-BR/documents/PartDrawing/098696.pdf>.

\* cited by examiner





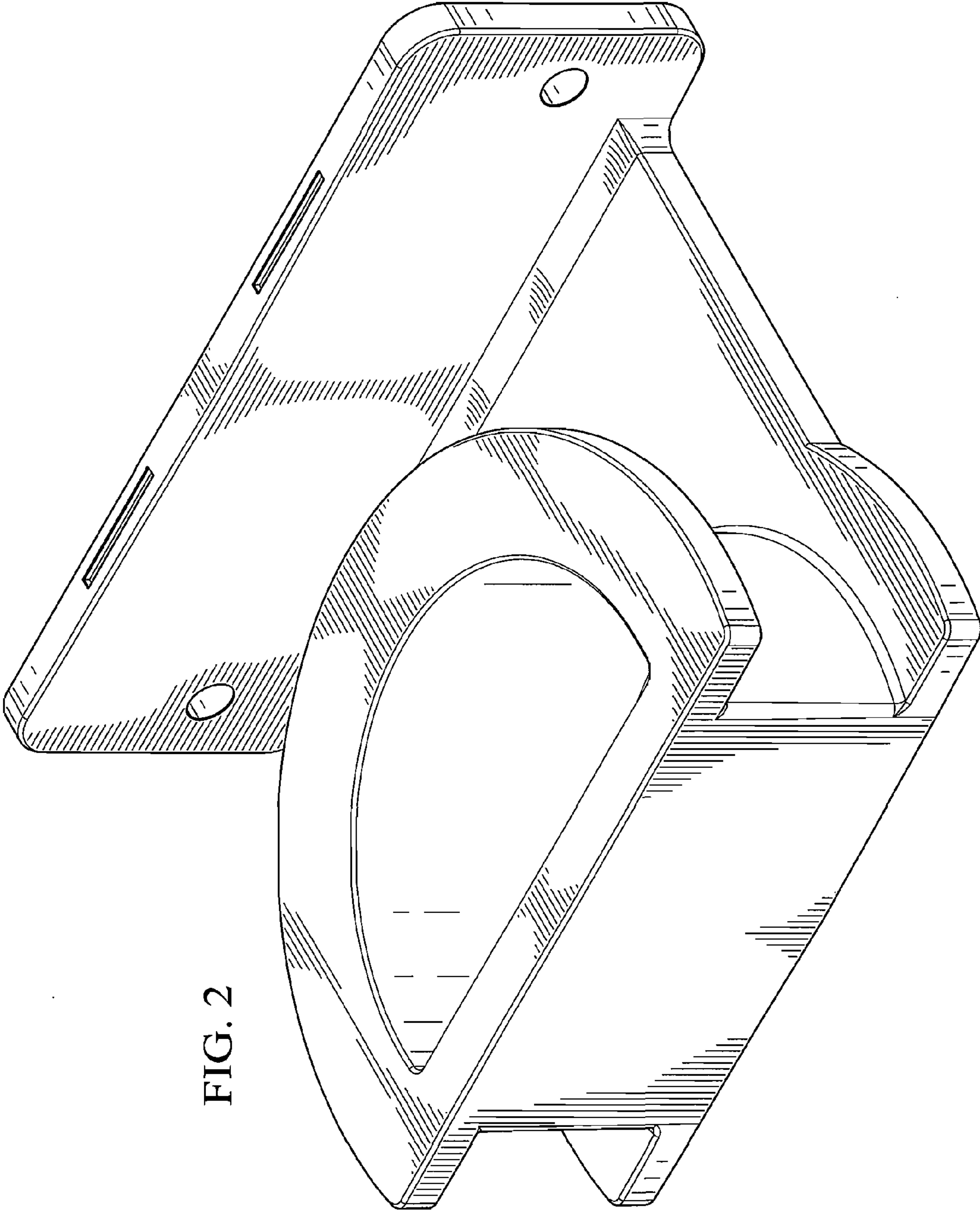


FIG. 2

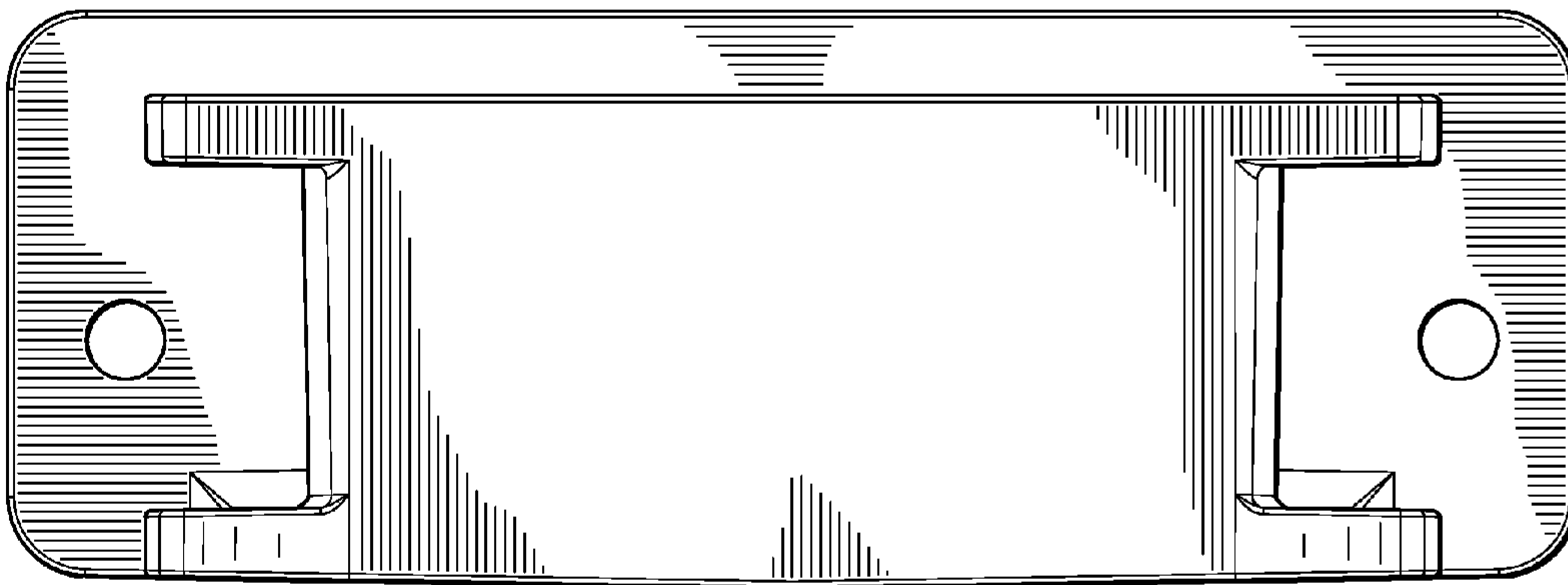


FIG. 3

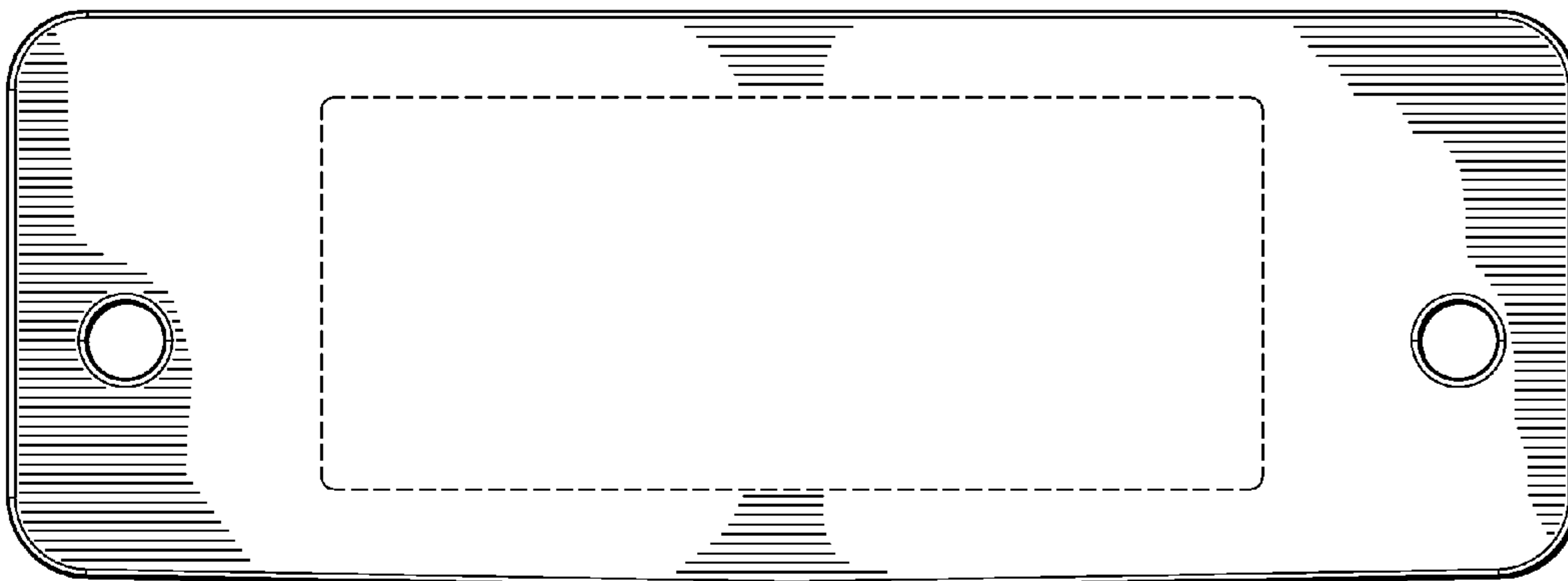


FIG. 4

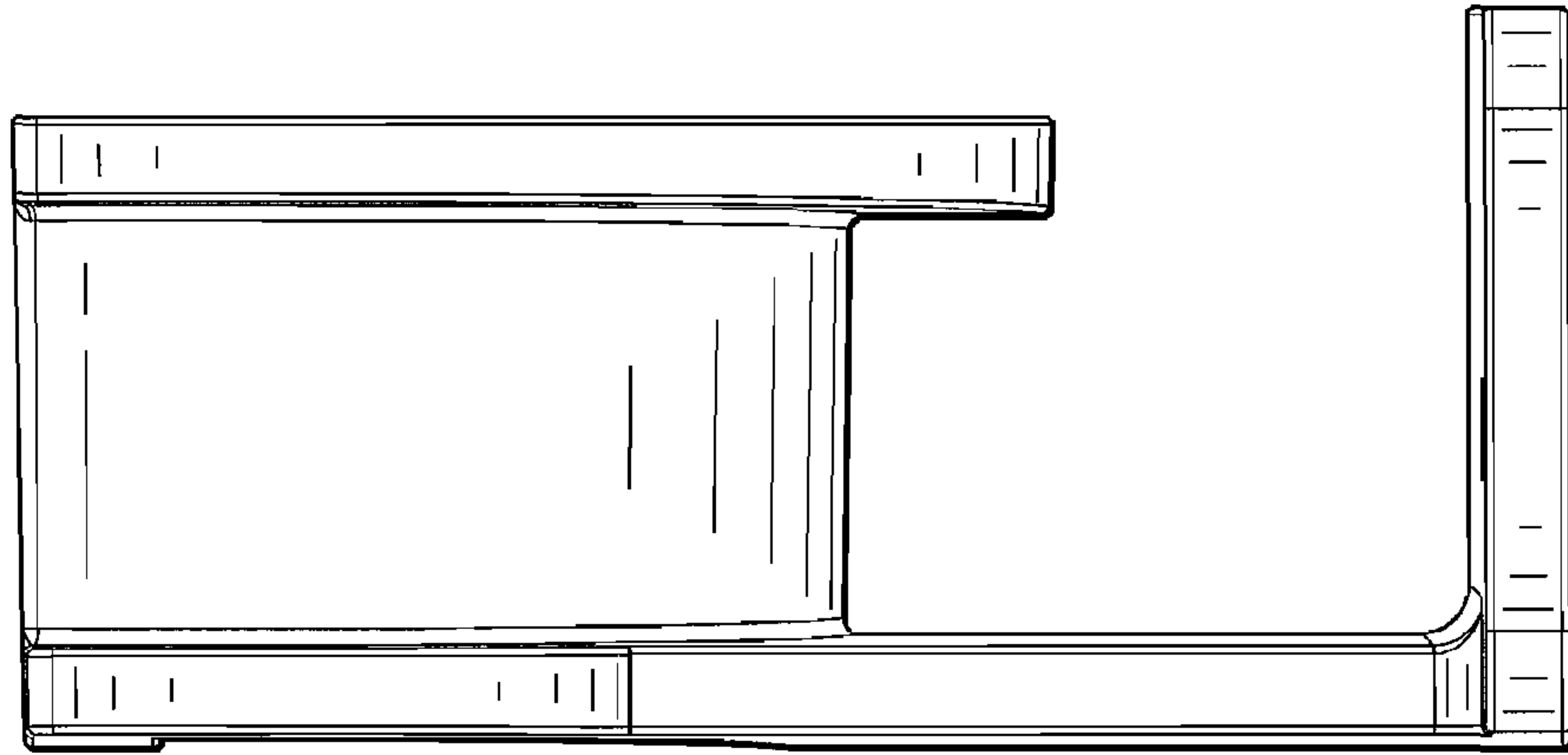


FIG. 5

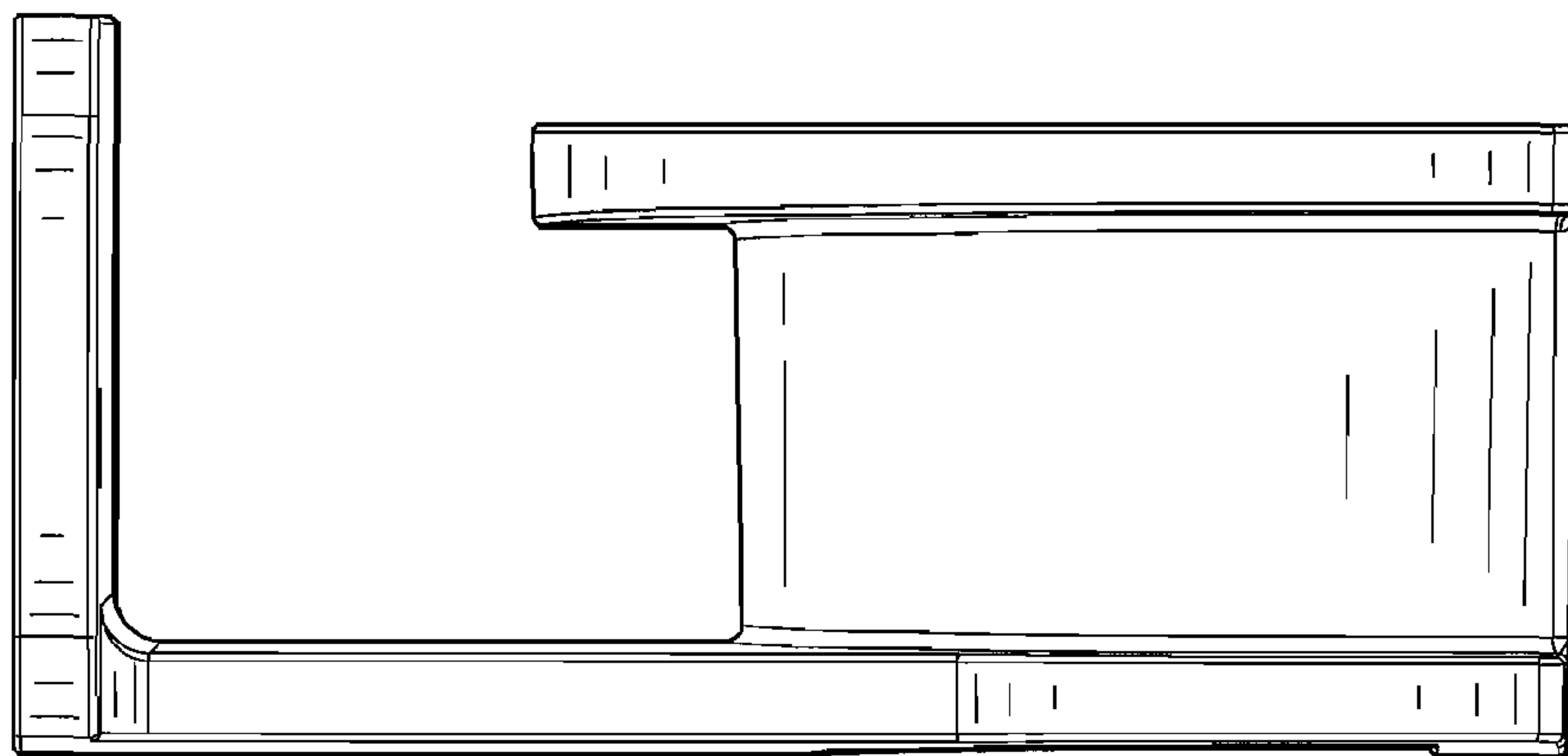


FIG. 6

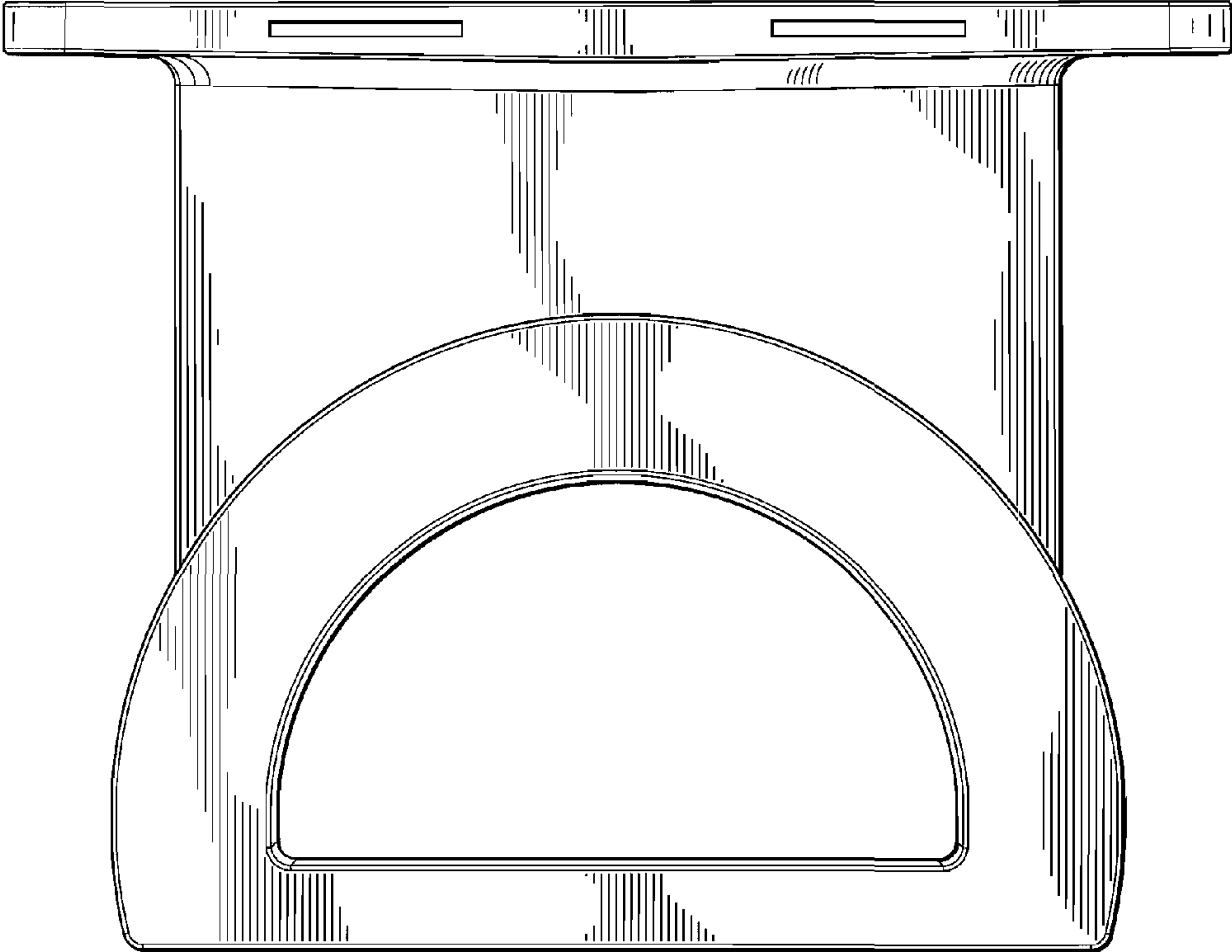


FIG. 7

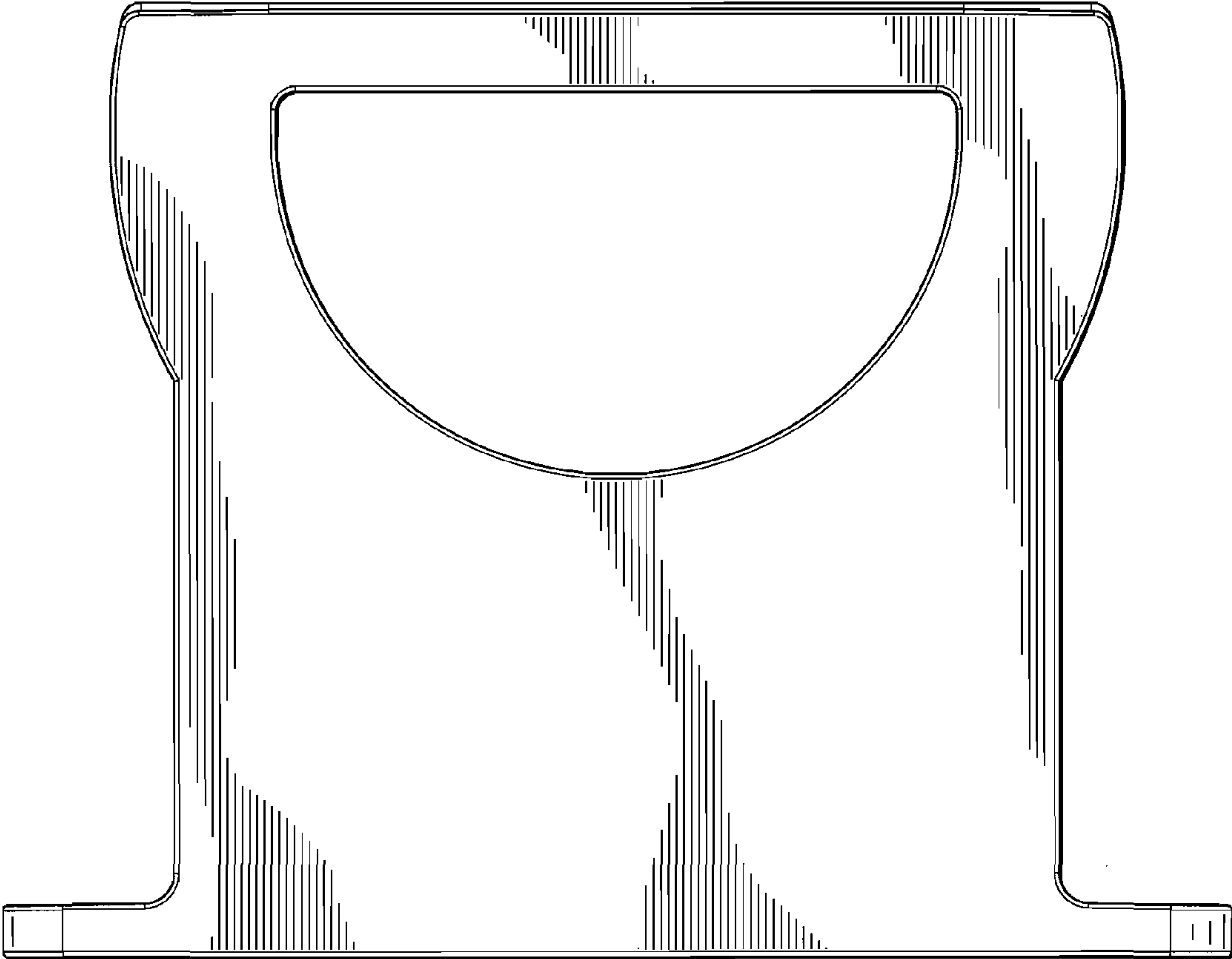


FIG. 8