



US00D640912S

(12) **United States Design Patent**
Watts et al.

(10) **Patent No.:** **US D640,912 S**

(45) **Date of Patent:** **** Jul. 5, 2011**

(54) **ENGAGING BRACKET WITH TAIL**

(75) Inventors: **Jesse Travis Watts**, Brunswick, GA (US); **Timothy J. Anthony**, Conyers, GA (US)

(73) Assignee: **Southern Company**, Atlanta, GA (US)

(**) Term: **14 Years**

(21) Appl. No.: **29/344,553**

(22) Filed: **Sep. 30, 2009**

(51) **LOC (9) Cl.** **08-07**

(52) **U.S. Cl.** **D8/349**

(58) **Field of Classification Search** D8/349,
D8/356, 395, 380; 248/68.1, 74.1, 74.2-74.4,
248/300, 200-201, 205.1

See application file for complete search history.

(56) **References Cited**

U.S. PATENT DOCUMENTS

869,382 A	10/1907	Newton
1,120,496 A	12/1914	Holsclaw
1,504,030 A	8/1924	Dettweiler
1,721,516 A	7/1929	Jacobs
1,802,288 A	4/1931	Strauss
1,851,080 A	3/1932	Becker
2,175,571 A	10/1939	Rose et al.
2,601,589 A	6/1952	Childers, Sr.
2,920,714 A	1/1960	Johnson
3,407,898 A	10/1968	Johnson
3,840,091 A	10/1974	Conlon
4,407,391 A	10/1983	Greenway et al.
4,506,762 A	3/1985	Bednar
4,527,660 A	7/1985	Andruchiw
4,545,460 A	10/1985	Byrd
4,579,196 A	4/1986	Allen et al.
4,595,078 A	6/1986	Greenway
4,687,074 A	8/1987	Green
4,712,646 A	12/1987	Page
4,714,135 A	12/1987	Bell et al.
4,747,468 A	5/1988	Greenway
4,991,689 A	2/1991	Cole

5,050,704 A	9/1991	Olsson
5,052,514 A	10/1991	Rezmer
5,137,113 A	8/1992	Lortie
5,141,074 A	8/1992	Sulowski et al.
5,184,696 A	2/1993	Meed et al.
5,234,074 A	8/1993	Bell
5,279,386 A	1/1994	Cearley
5,293,657 A	3/1994	DeAth
5,341,896 A	8/1994	Amacker
5,487,444 A	1/1996	Dennington
5,785,146 A	7/1998	Palmer
5,934,410 A	8/1999	Mahr
6,016,891 A	1/2000	Sava

(Continued)

FOREIGN PATENT DOCUMENTS

CA D132427 5/2010

(Continued)

Primary Examiner — Elizabeth Albert

Assistant Examiner — Kelley A Donnelly

(74) *Attorney, Agent, or Firm* — Ryan A. Schneider, Esq.;
Robert R. Elliott, Jr., Esq.; Troutman Sanders LLP

(57) **CLAIM**

The ornamental design for an engaging bracket with tail, as shown and described.

DESCRIPTION

FIG. 1 is a perspective, side view of an engaging bracket with tail;

FIG. 2 is a top view thereof;

FIG. 3 is a bottom view thereof;

FIG. 4 is a side view thereof;

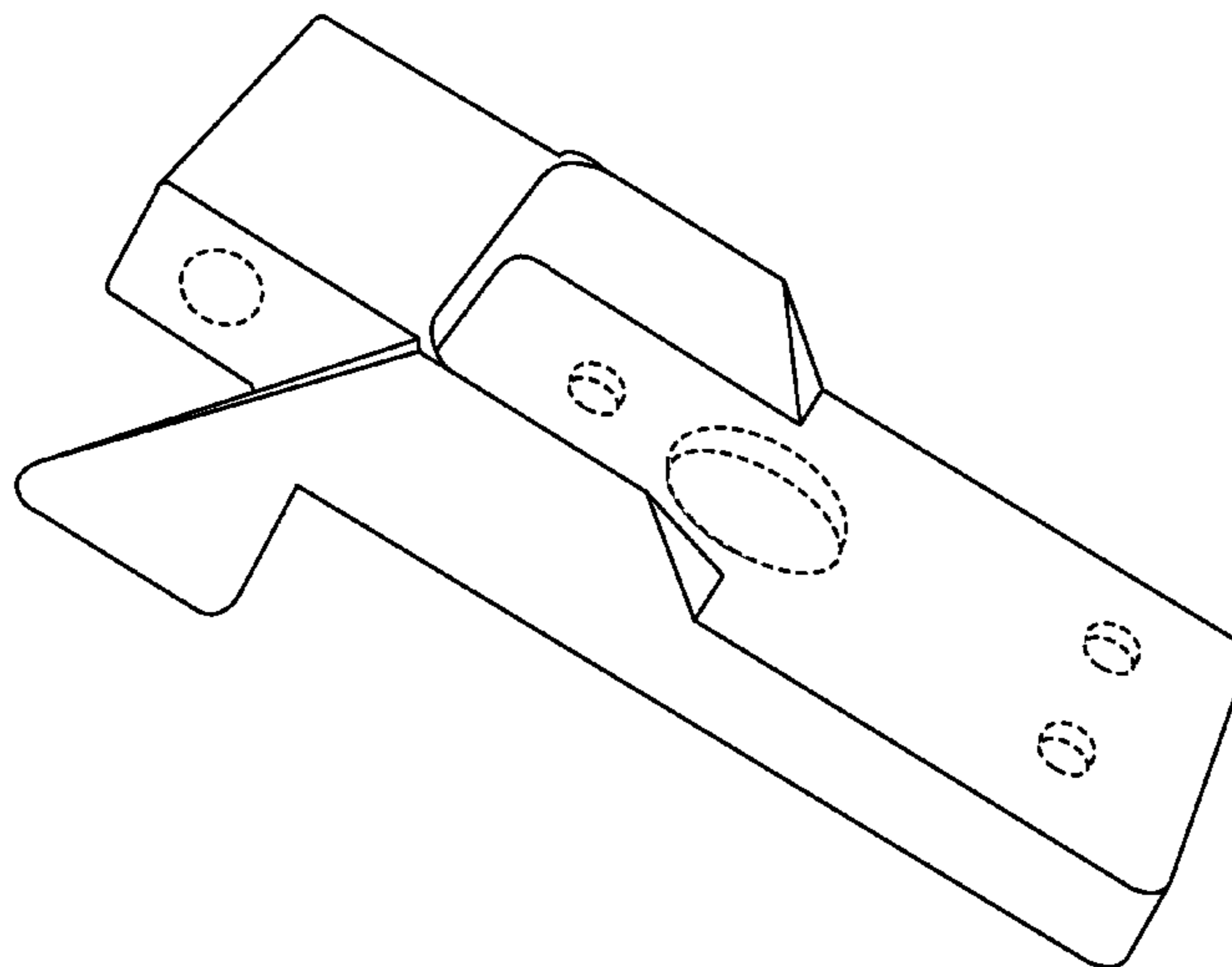
FIG. 5 is another side view thereof;

FIG. 6 is a front view thereof; and,

FIG. 7 is a rear view thereof.

The broken, dashed lines shown in the various figures depicting embodiments of the invention are included for the purpose of illustrating environment and do not form any part of the claimed design.

1 Claim, 7 Drawing Sheets



US D640,912 S

Page 2

U.S. PATENT DOCUMENTS

6,032,758 A 3/2000 May
6,158,548 A 12/2000 May
6,206,138 B1 3/2001 Yerger
6,223,854 B1 5/2001 Nolz
6,357,547 B1 3/2002 Kellog et al.
6,644,438 B1 11/2003 Chang et al.
6,648,101 B2 11/2003 Kurtgis
6,698,544 B2 3/2004 Kurtgis
6,752,242 B1 6/2004 Whitehead et al.
6,883,640 B2 4/2005 Kurtgis
6,959,784 B2 11/2005 Diggle et al.
6,962,232 B2 11/2005 Diggle et al.
6,973,995 B1 12/2005 Diggle III et al.
6,981,571 B2 1/2006 Diggle
7,036,628 B2 5/2006 Wilcox et al.
7,051,836 B2 5/2006 Green
7,063,185 B2 6/2006 Green
7,100,738 B1 9/2006 Diggle, III et al.
7,103,943 B2 9/2006 Lambert
D532,679 S * 11/2006 Ignagni D8/354
D553,801 S 10/2007 Palasini

D556,015 S * 11/2007 Muchnik D8/354
7,621,096 B2 * 11/2009 Ellis 52/712
D605,366 S * 12/2009 Westerman et al. D29/122
2004/0113034 A1 6/2004 Chen et al.
2004/0182644 A1 9/2004 Kotarski
2004/0200666 A1 10/2004 Diggle et al.
2005/0230184 A1 10/2005 Ansaldo
2006/0157626 A1 * 7/2006 Wooten 248/248
2006/0169534 A1 8/2006 Green
2007/0063118 A1 * 3/2007 Owens et al. 248/300
2008/0060872 A1 3/2008 Wise
2008/0156583 A1 7/2008 Meeks
2008/0245610 A1 10/2008 Lee
2008/0289903 A1 11/2008 Kuhnert
2009/0173036 A1 7/2009 Hand
2010/0051382 A1 3/2010 Schlieff
2010/0078261 A1 4/2010 Watts et al.

FOREIGN PATENT DOCUMENTS

CA D132428 5/2010
DE 3632537 4/1988

* cited by examiner

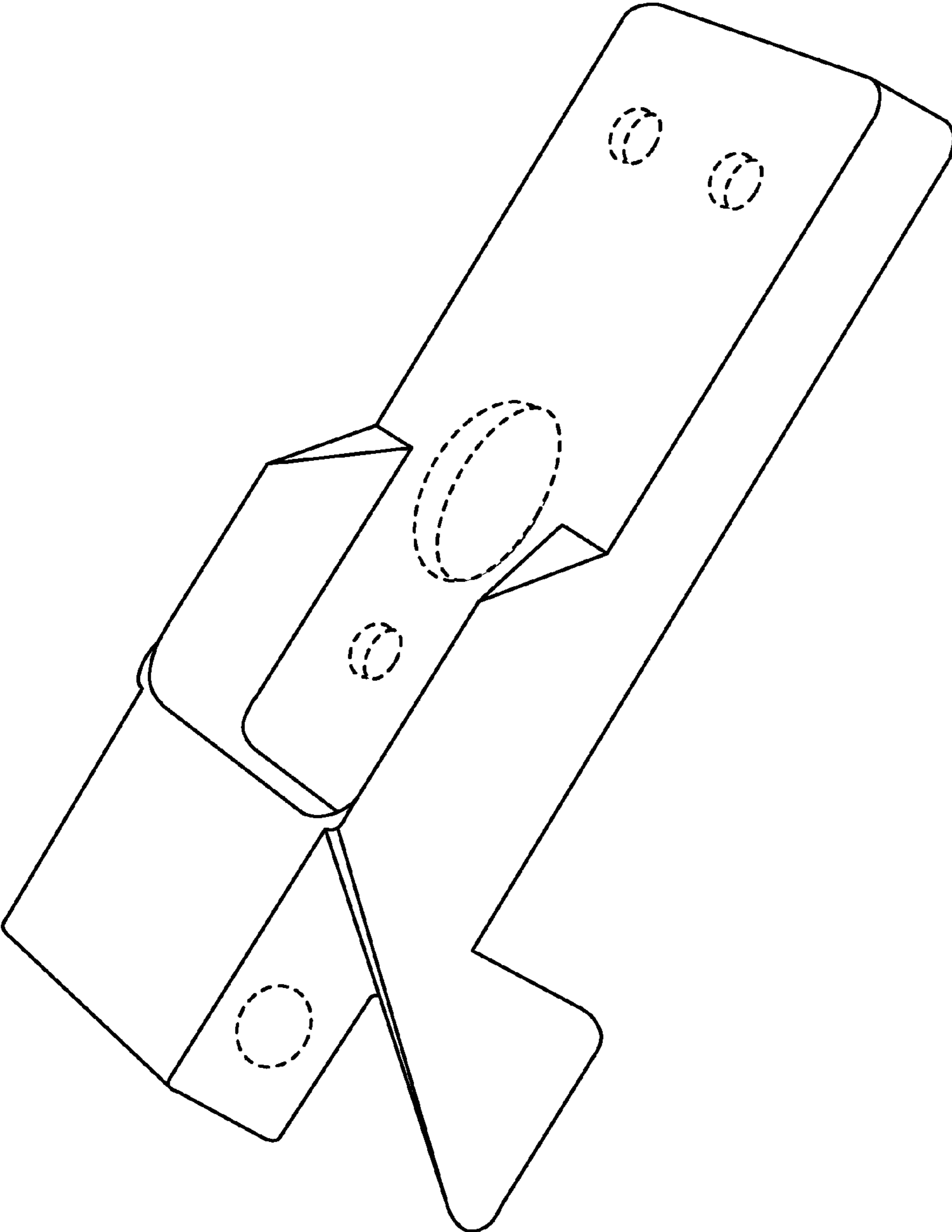


Fig. 1

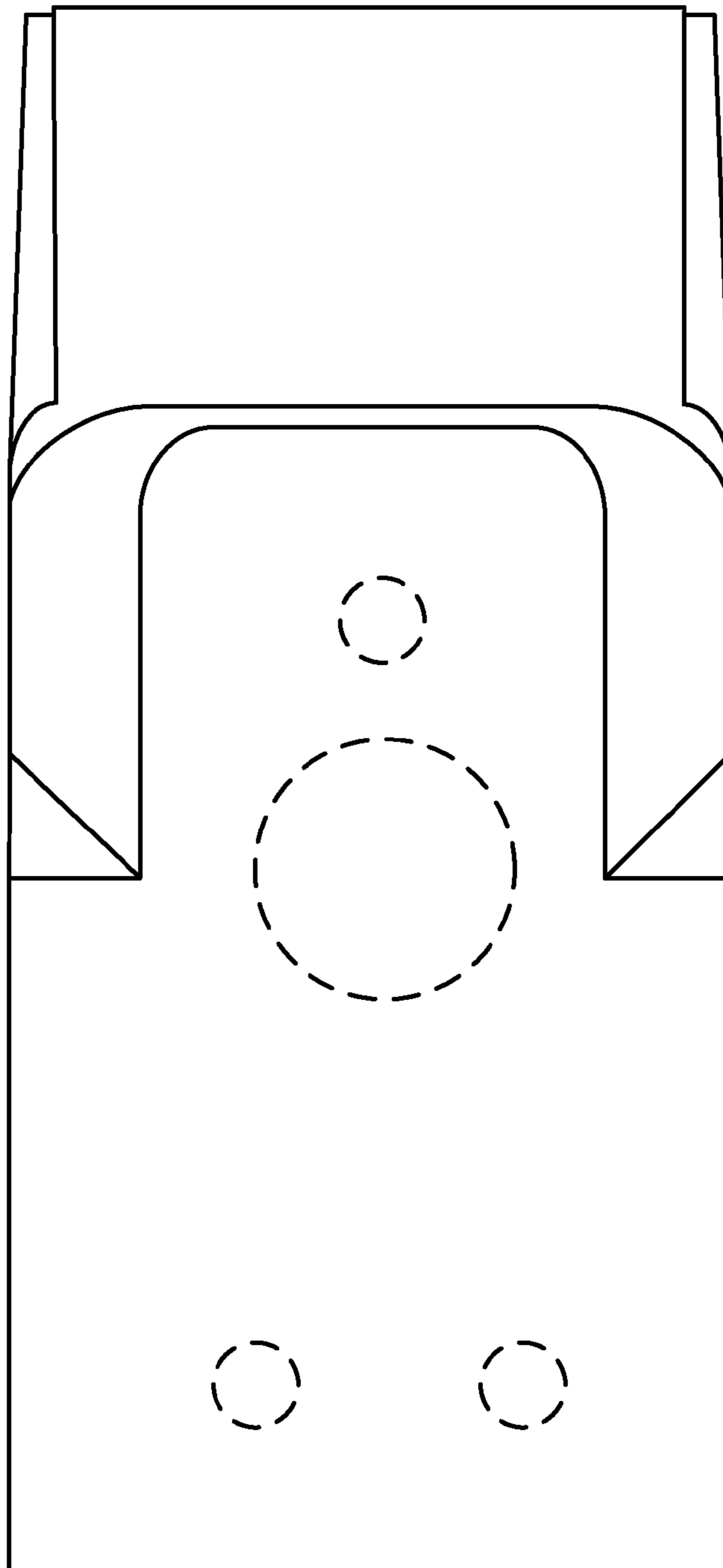


Fig. 2

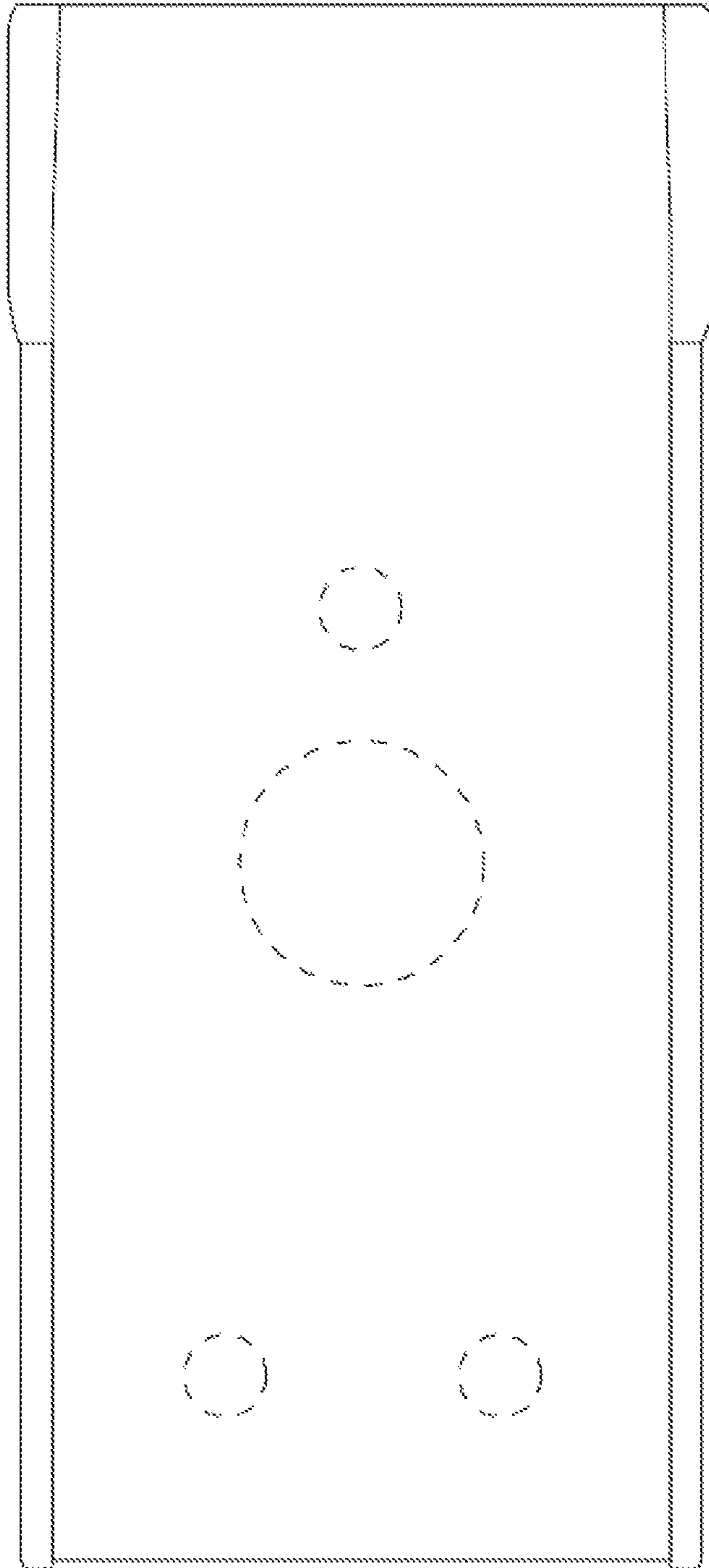


Fig. 3

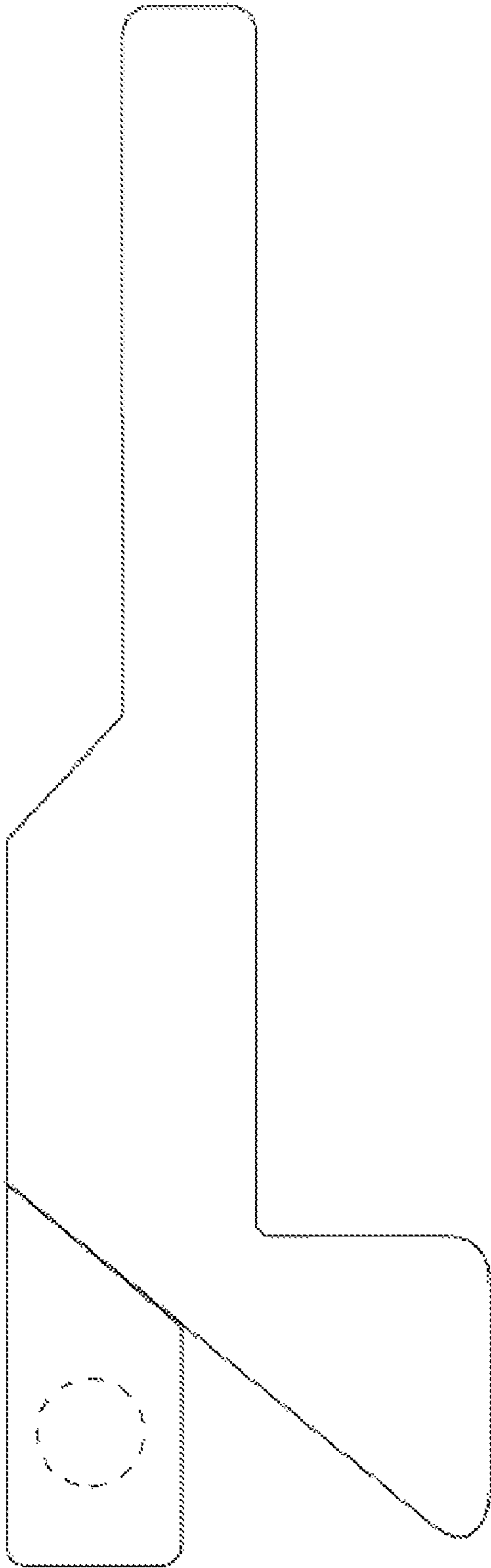


Fig. 4

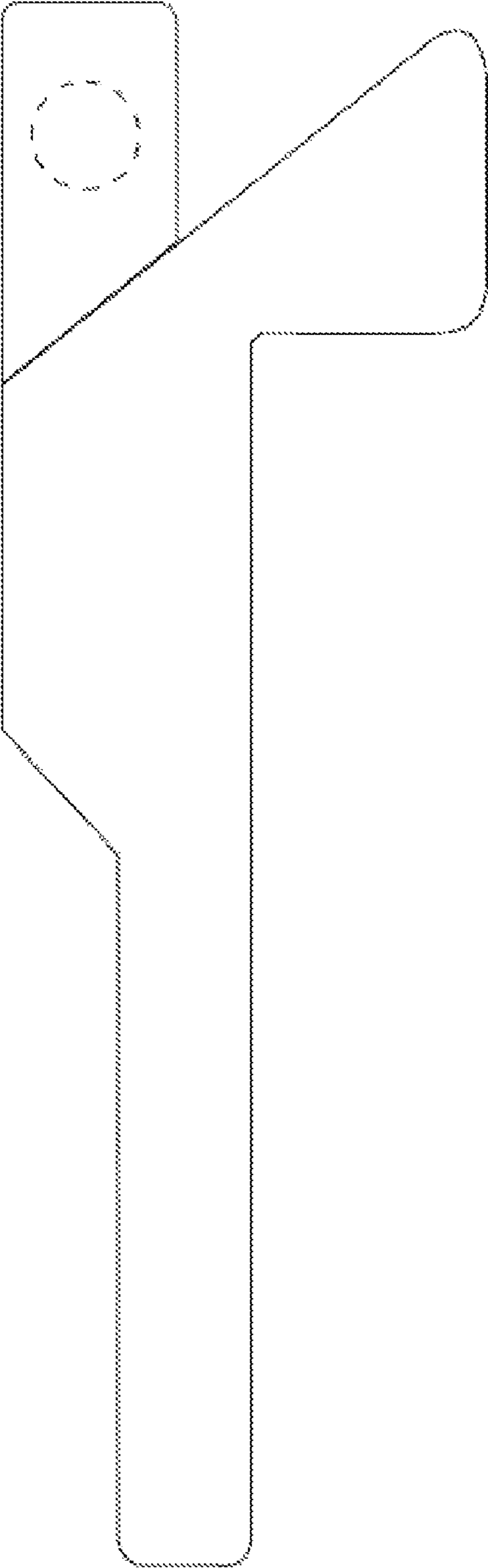


Fig. 5

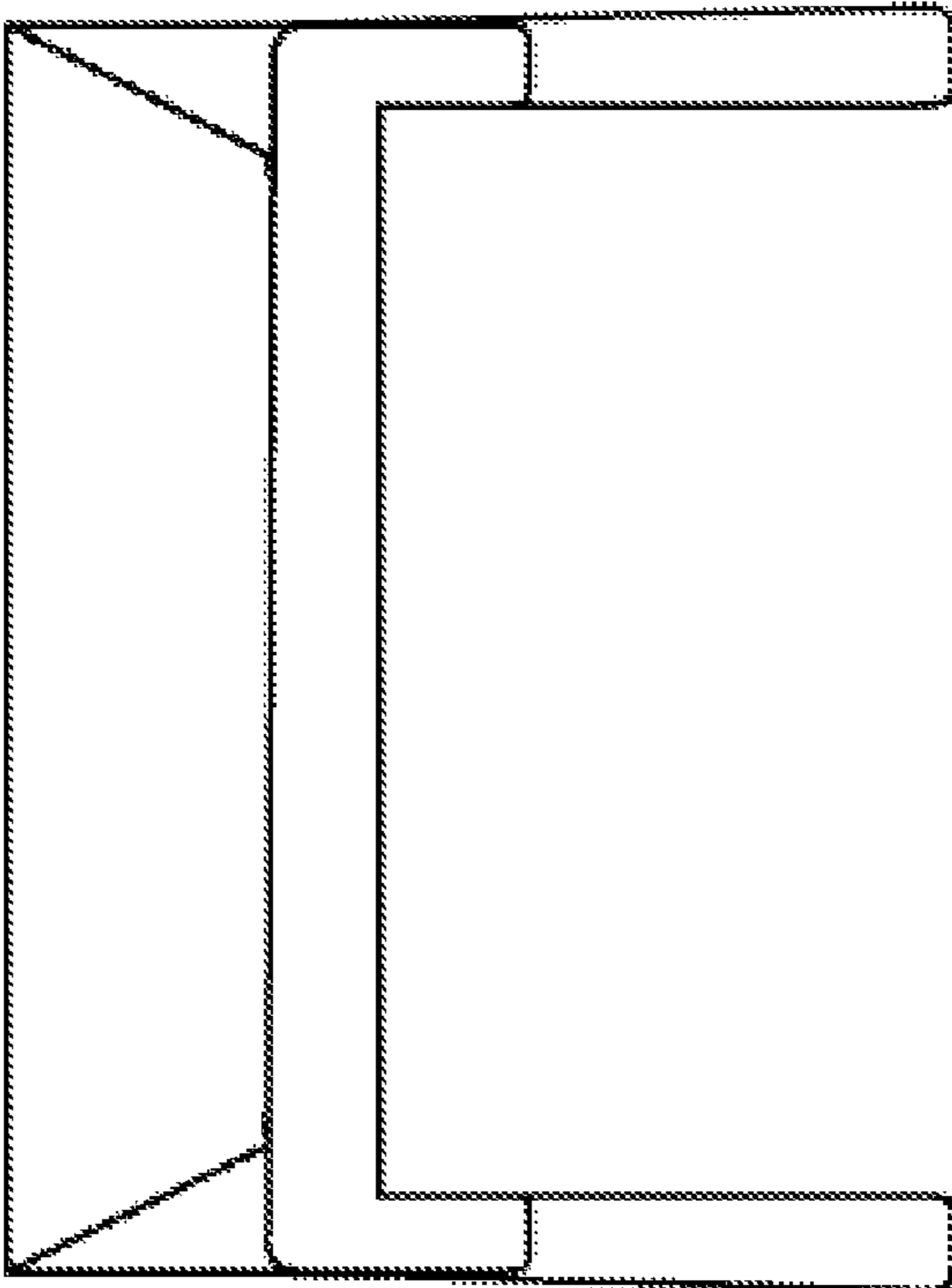


Fig. 6

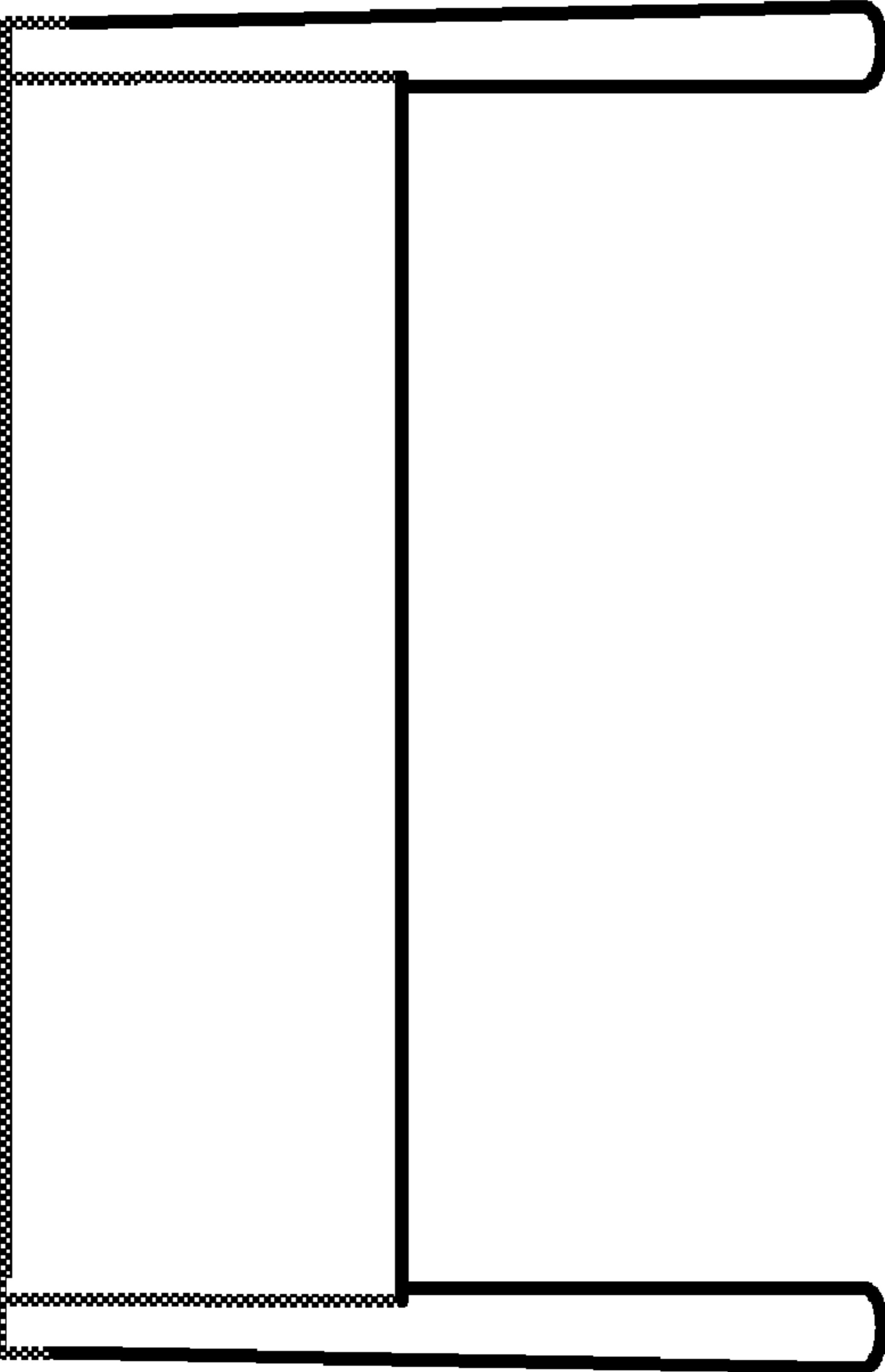


Fig. 7