



US00D640911S

(12) **United States Design Patent**  
**Yang**

(10) **Patent No.:** **US D640,911 S**

(45) **Date of Patent:** **\*\* Jul. 5, 2011**

(54) **PROTECTION COVER FOR PADLOCK**

(75) Inventor: **Yao-Kun Yang**, Chang-Hua County (TW)

(73) Assignee: **Shopin Lock Co., Ltd.**, Chang-Hua County (TW)

(\*\*) Term: **14 Years**

(21) Appl. No.: **29/378,812**

(22) Filed: **Nov. 10, 2010**

(51) **LOC (9) Cl.** ..... **08-07**

(52) **U.S. Cl.** ..... **D8/346**

(58) **Field of Classification Search** ..... D8/330,  
D8/331, 334, 343, 346, 333, 400, 499, 335;  
70/14, 20-28, 35, 51, 52, 38 A, 53, 54, DIG. 9,  
70/DIG. 63, DIG. 71, 284, 285, 431, 443,  
70/448, DIG. 56; 292/340, 341, 14, 307 R,  
292/307, 291

See application file for complete search history.

(56) **References Cited**

**U.S. PATENT DOCUMENTS**

4,576,022	A *	3/1986	Gamble	70/55
4,799,370	A *	1/1989	Cooper	70/63
4,882,918	A *	11/1989	Stanich	70/54
5,156,029	A *	10/1992	Heald	70/55
D402,532	S *	12/1998	Turner	D8/346
D406,045	S *	2/1999	Turner	D8/346
6,439,008	B1 *	8/2002	Keil	70/56
D470,745	S *	2/2003	Gast	D8/346
D470,746	S *	2/2003	Gast	D8/346

6,578,393	B2 *	6/2003	Yarborough	70/56
6,684,668	B1 *	2/2004	Hsueh Lee	70/56
D527,614	S *	9/2006	St. James	D8/346
D537,704	S *	3/2007	Van Handel	D8/346

\* cited by examiner

*Primary Examiner* — Prabhakar Deshmukh

(74) *Attorney, Agent, or Firm* — Browdy and Neimark, PLLC

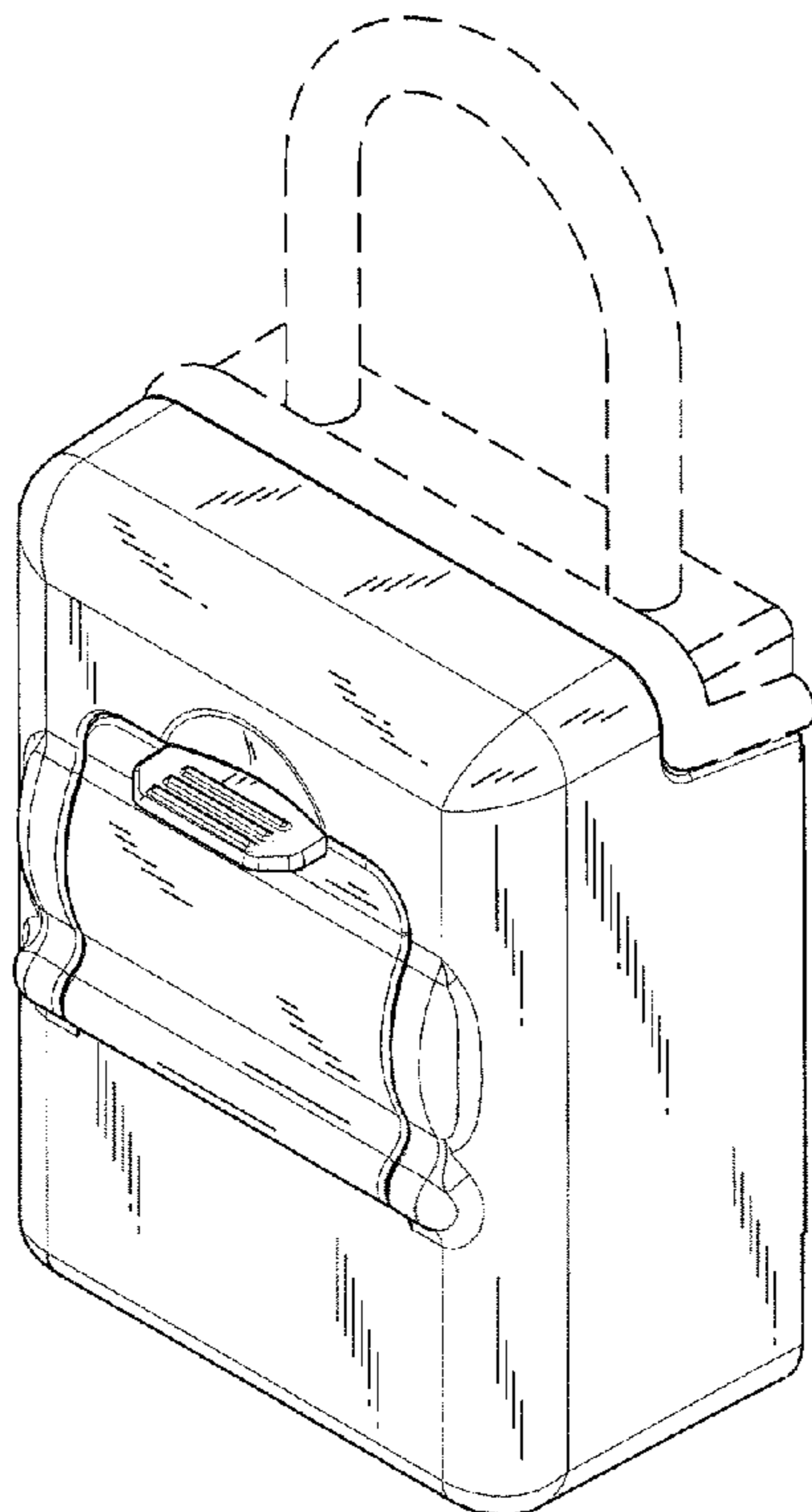
(57) **CLAIM**

The ornamental design for a protection cover for padlock, as shown and described.

**DESCRIPTION**

FIG. 1 is a perspective view of a protection cover for padlock showing my new design;  
FIG. 2 is front elevational view thereof;  
FIG. 3 is a rear elevational view thereof;  
FIG. 4 is a left side elevational view thereof;  
FIG. 5 is a right side elevational view thereof;  
FIG. 6 is a top plan view thereof;  
FIG. 7 is a bottom plan view thereof;  
FIG. 8 is a perspective view thereof, shown in the environmental use applied to a padlock; and,  
FIG. 9 is a perspective view thereof, shown in environmental use applied to a padlock and in open position.  
The broken lines showing environment is for illustrative purpose only and form no part of the claimed design.

**1 Claim, 7 Drawing Sheets**



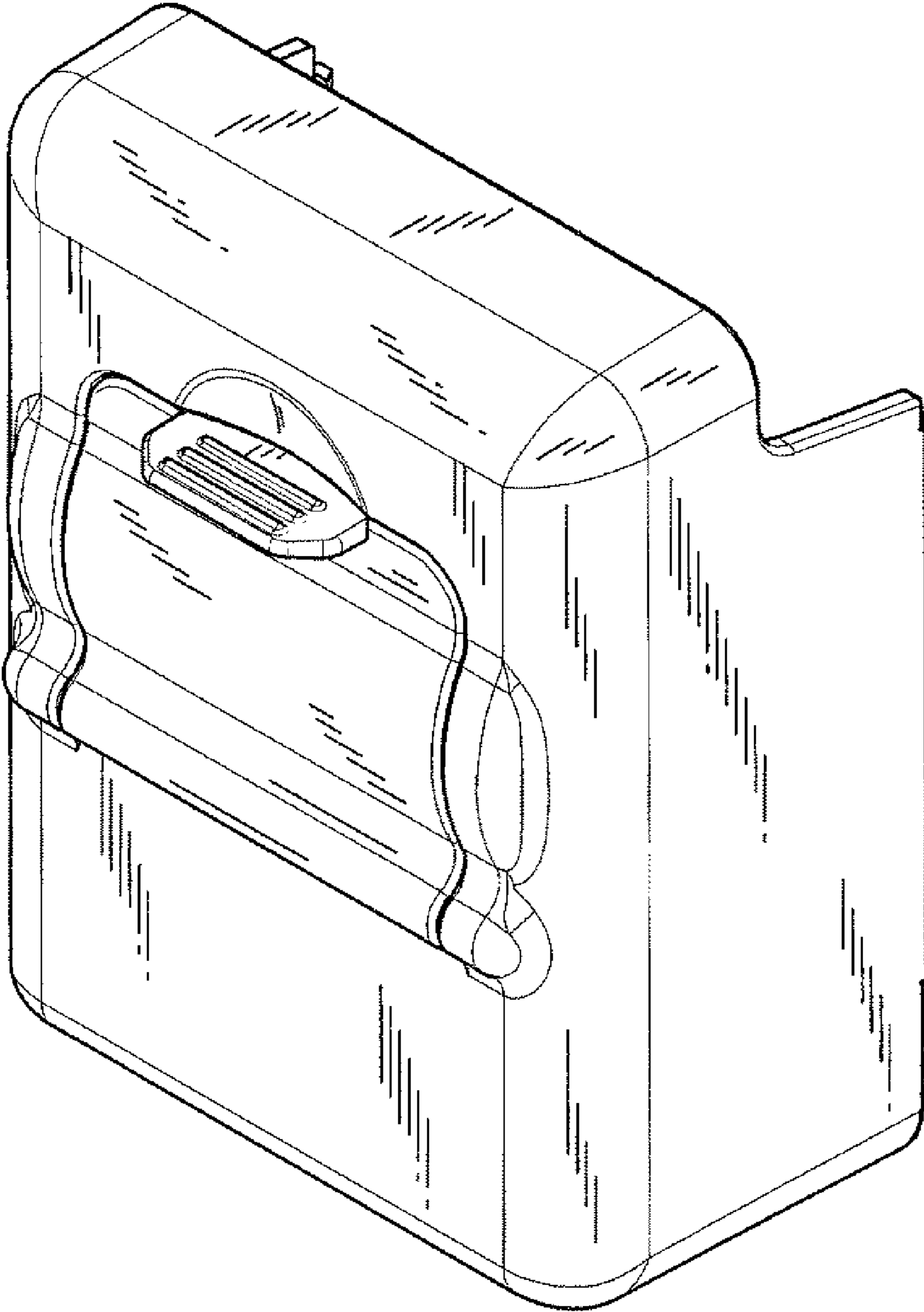


FIG. 1

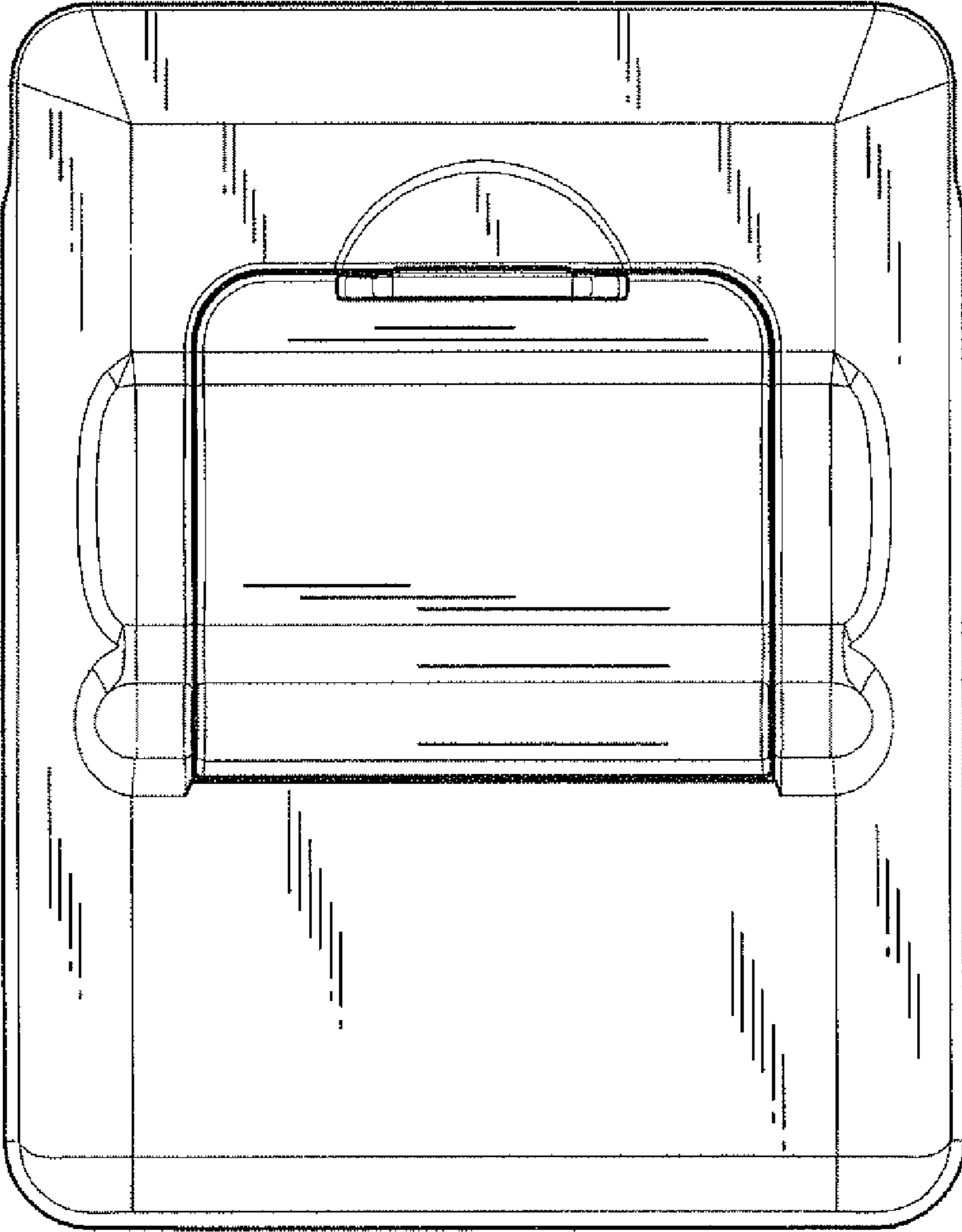


FIG. 2

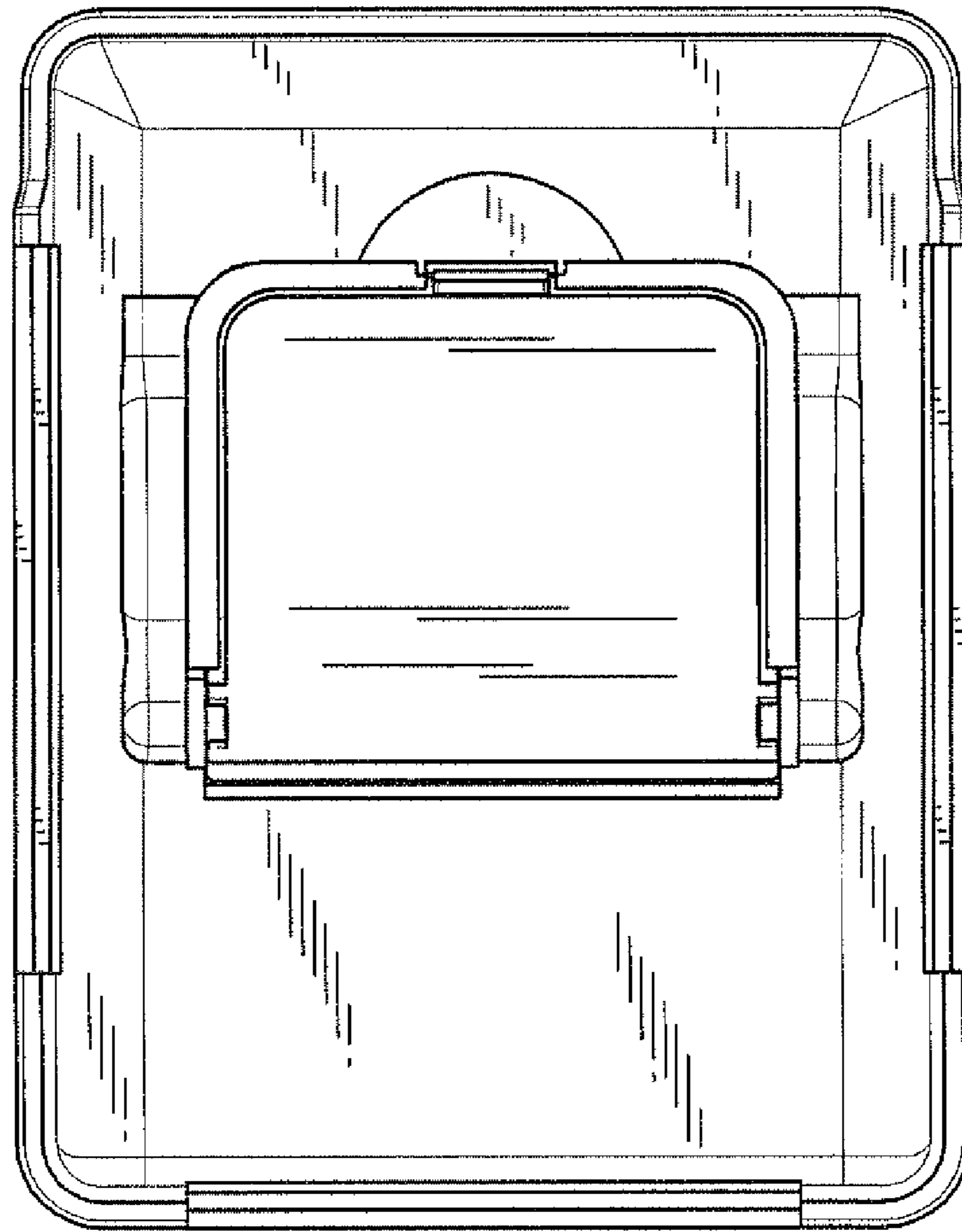


FIG. 3

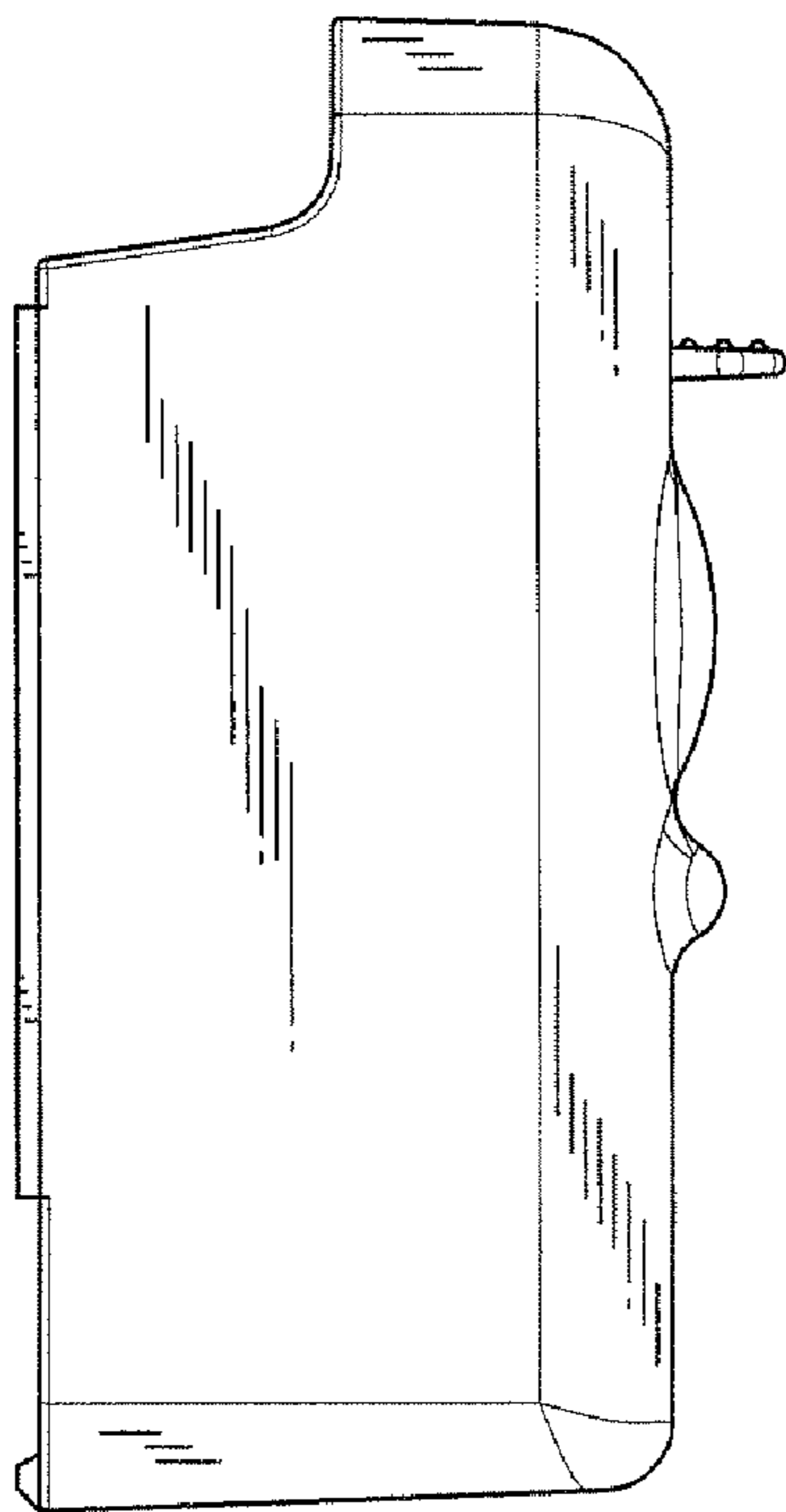


FIG. 4



FIG. 5

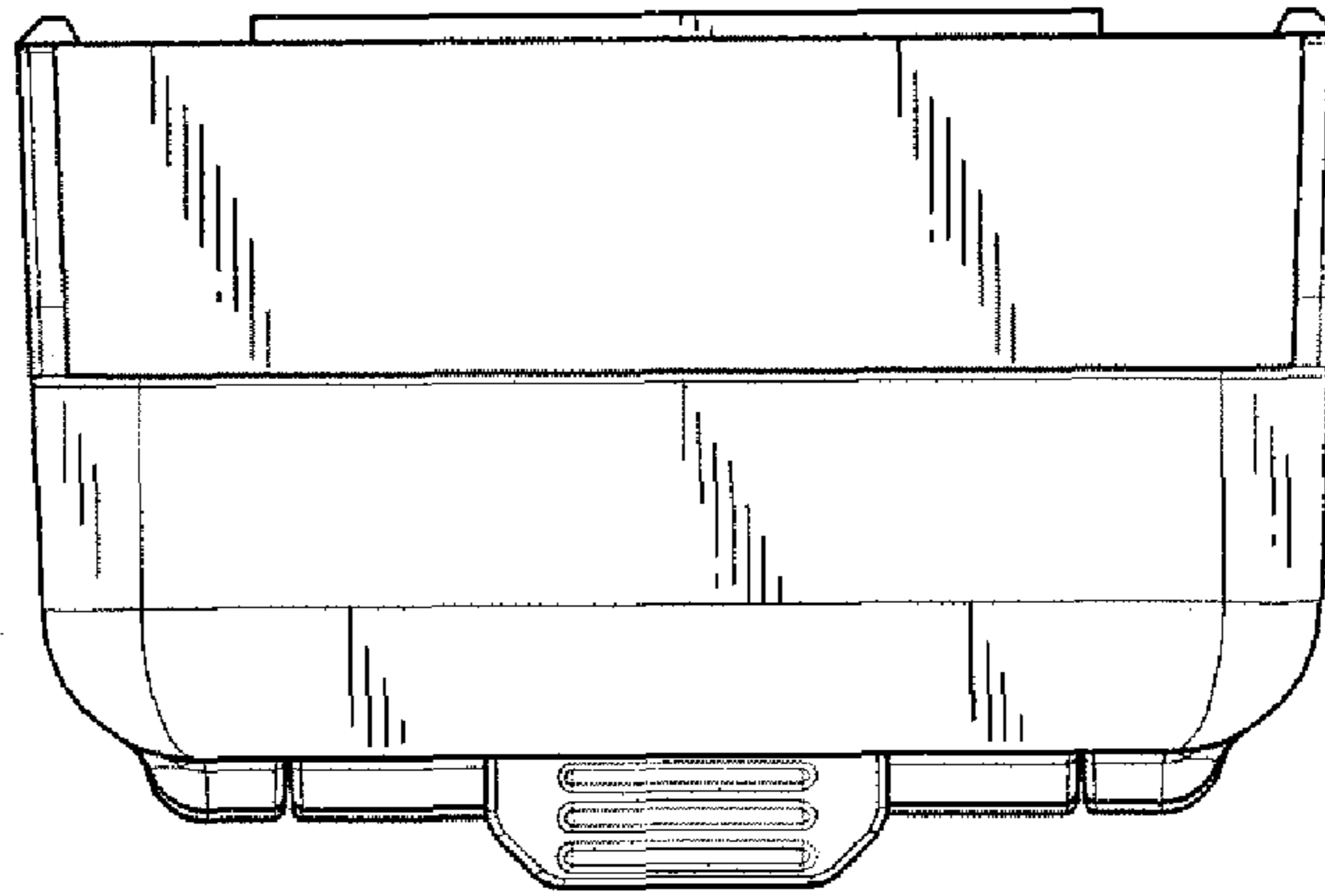


FIG. 6

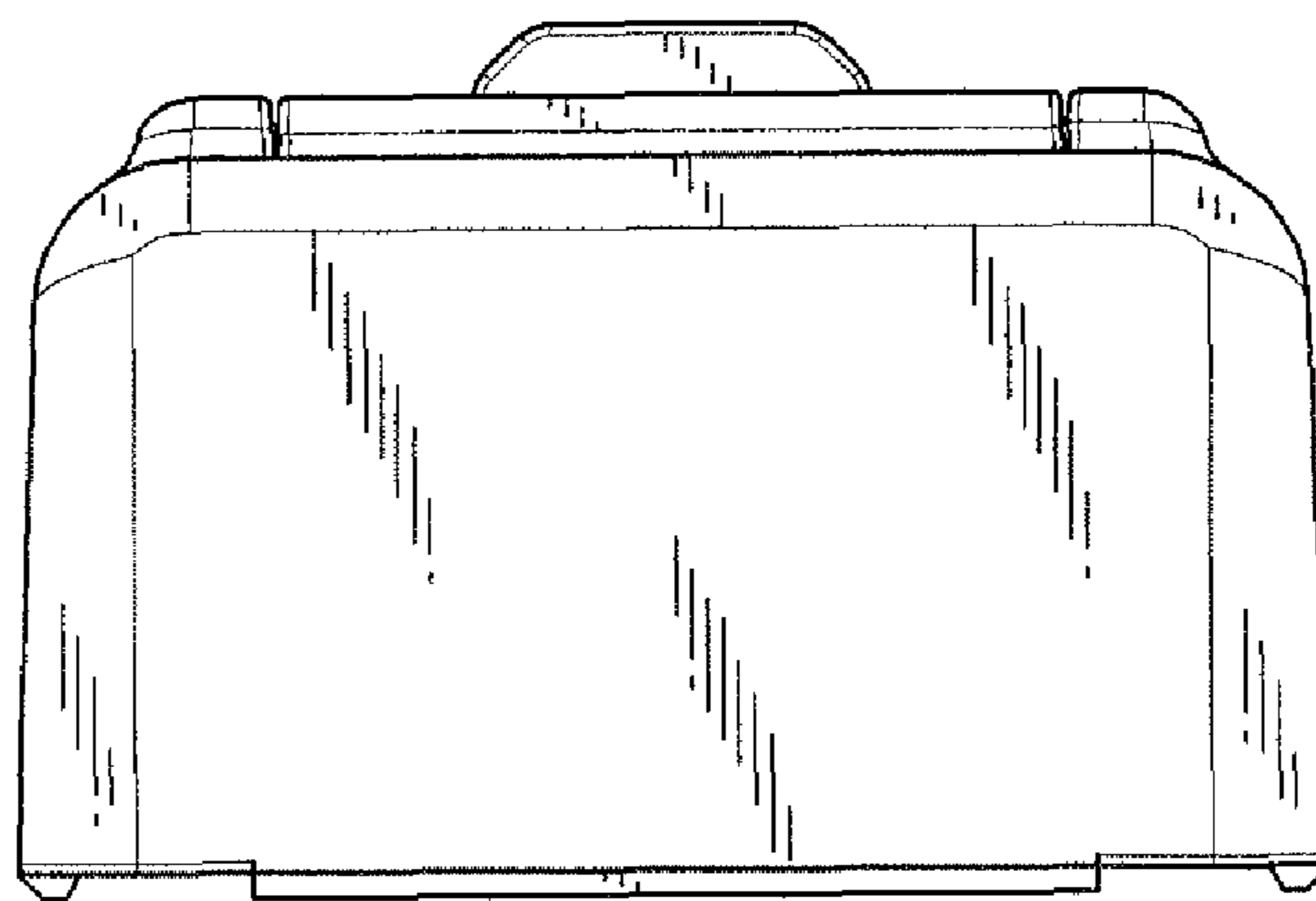


FIG. 7

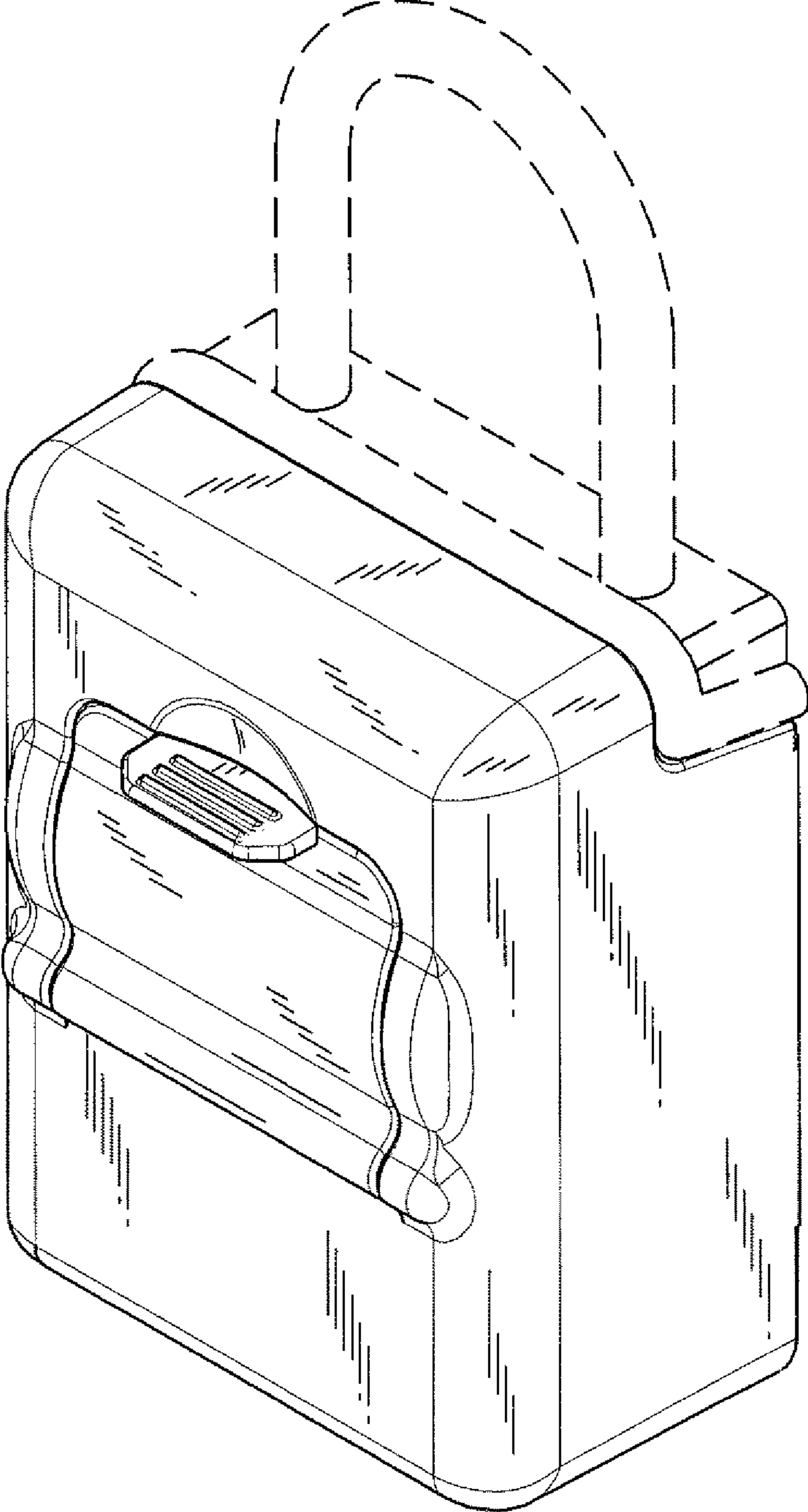


FIG. 8

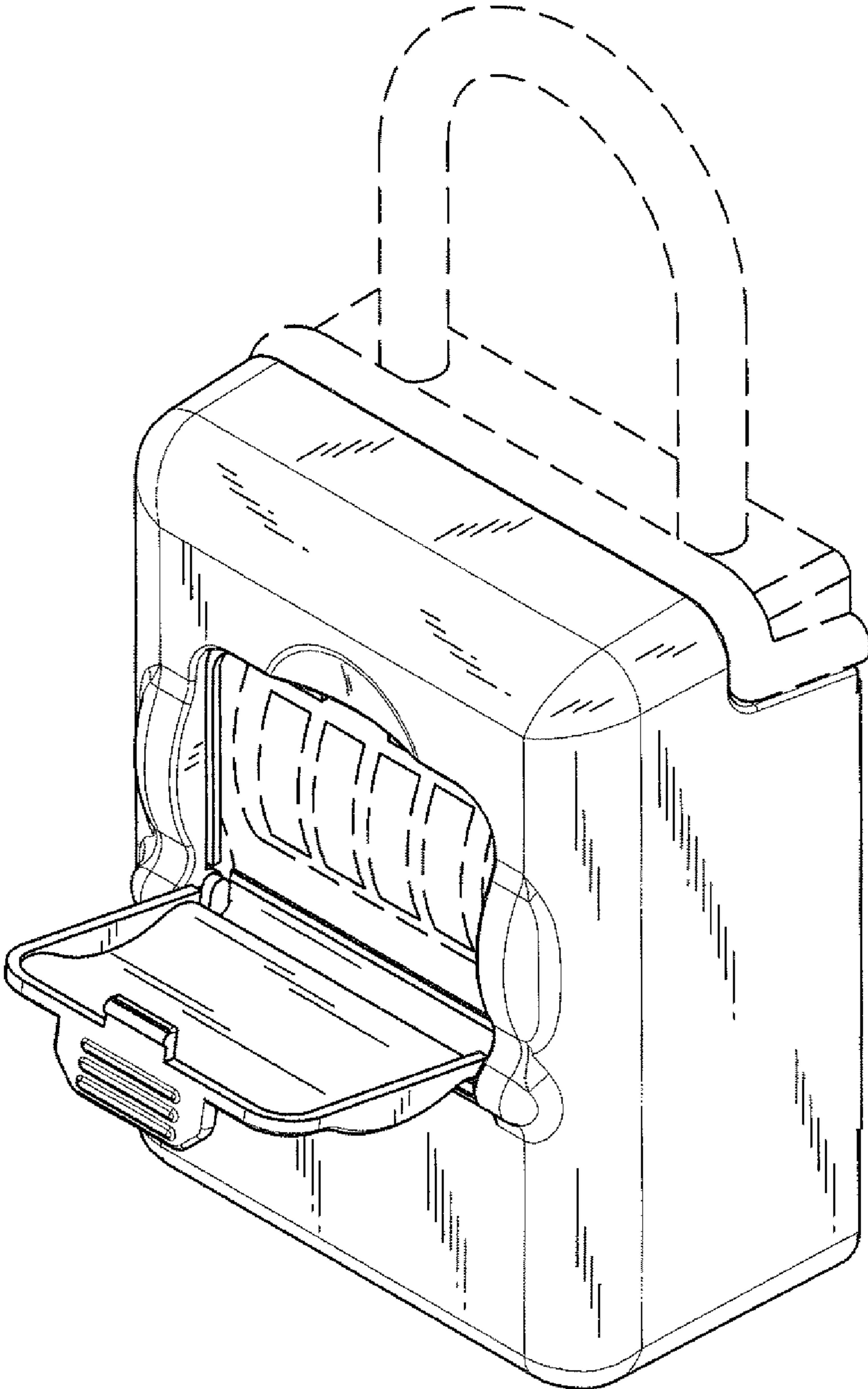


FIG. 9