



US00D640906S

(12) **United States Design Patent**
Hsu

(10) **Patent No.:** **US D640,906 S**

(45) **Date of Patent:** **** Jul. 5, 2011**

(54) **MANUAL LOOSENER**

2008/0128147 A1* 6/2008 Lynch 172/349

* cited by examiner

(76) Inventor: **Shih-Hao Hsu**, Changhua County (TW)

Primary Examiner — Holly Baynham

Assistant Examiner — Sheryl Lane

(**) Term: **14 Years**

(21) Appl. No.: **29/363,482**

(57) **CLAIM**

The ornamental design for a manual loosener, as shown and described.

(22) Filed: **Jun. 10, 2010**

DESCRIPTION

(51) **LOC (9) Cl.** **08-01**

(52) **U.S. Cl.** **D8/8**

(58) **Field of Classification Search** D8/1, 6,
D8/7, 8; D15/28; 172/349, 350, 353, 351,
172/13

See application file for complete search history.

FIG. 1 is a perspective view of a manual loosener showing my new design;

FIG. 2 is a front elevational view thereof;

FIG. 3 is a rear elevational view thereof;

FIG. 4 is a left side elevational view thereof;

FIG. 5 is a right side elevational view thereof;

FIG. 6 is a rear elevation view with the head of the tool rotated; and,

FIG. 7 is a front elevation view with the head of the tool rotated.

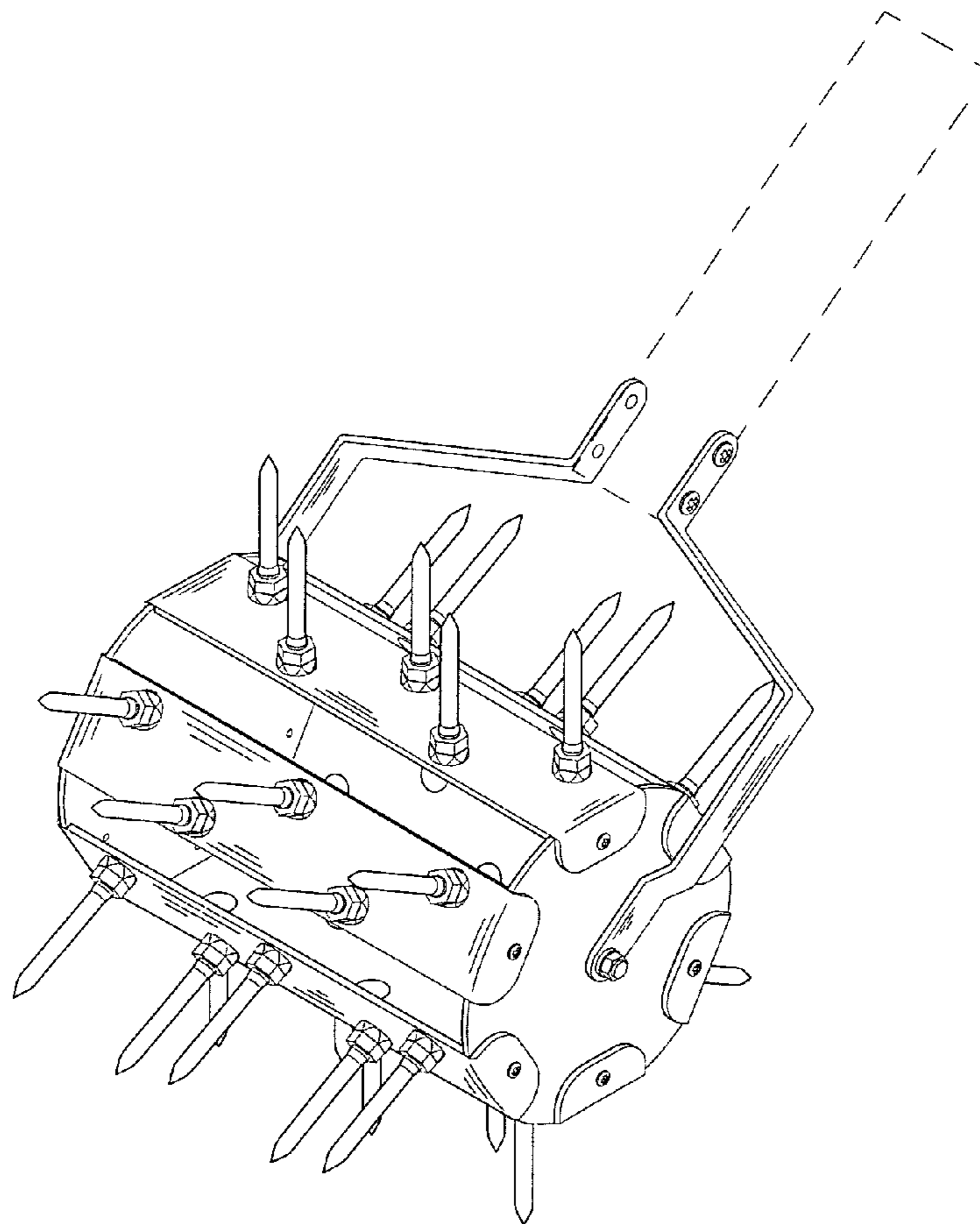
The broken lines showing of the manual loosener is included for the purpose of illustrating portions of the article and forms no part of the claimed design.

(56) **References Cited**

U.S. PATENT DOCUMENTS

D251,768 S *	5/1979	Dellinger	D8/7
D268,000 S *	2/1983	Dellinger	D8/8
D299,204 S *	1/1989	Nappi	D8/8
5,632,342 A *	5/1997	Knoblich et al.	172/21
7,735,573 B2 *	6/2010	Catalano	172/349

1 Claim, 7 Drawing Sheets



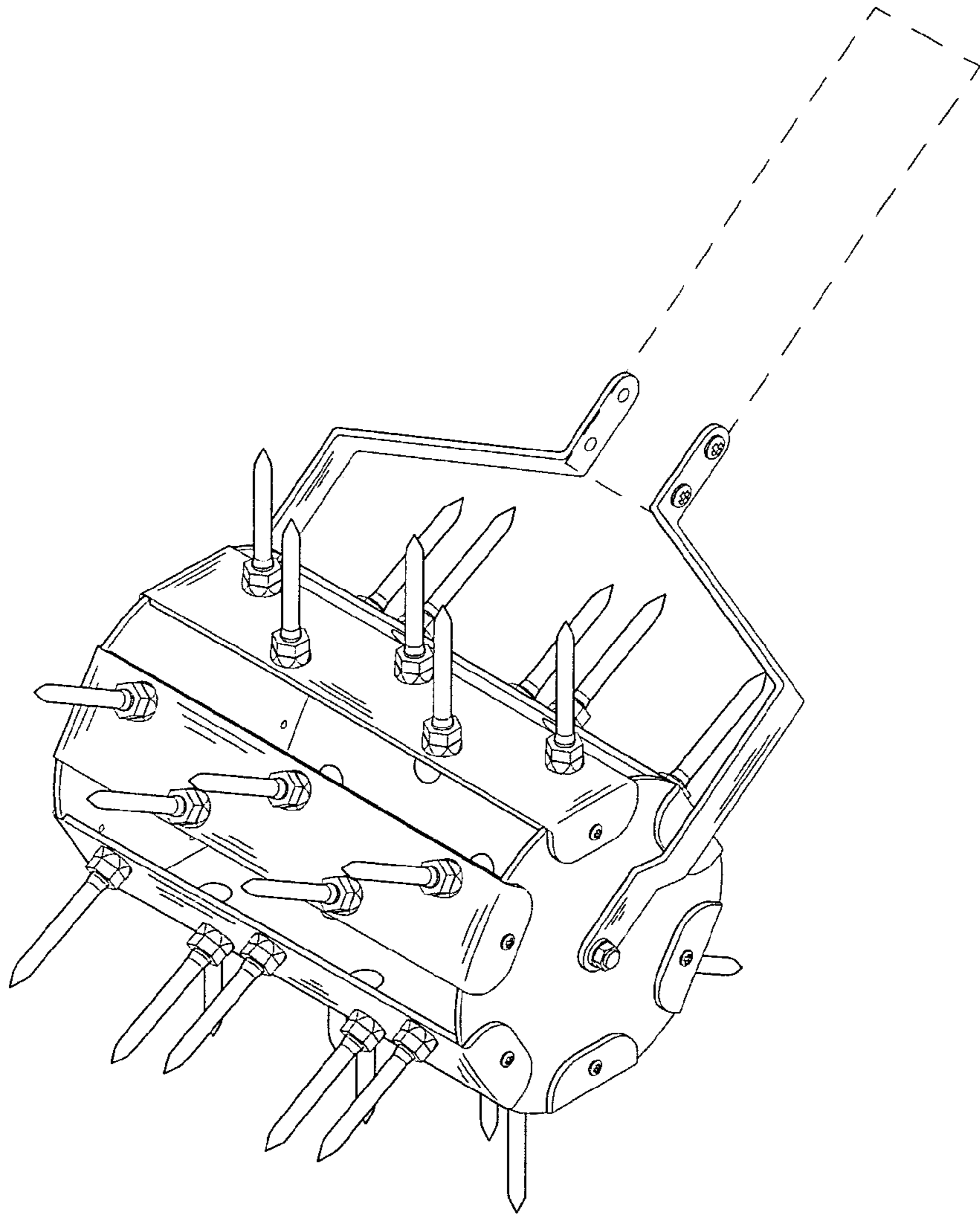


FIG. 1

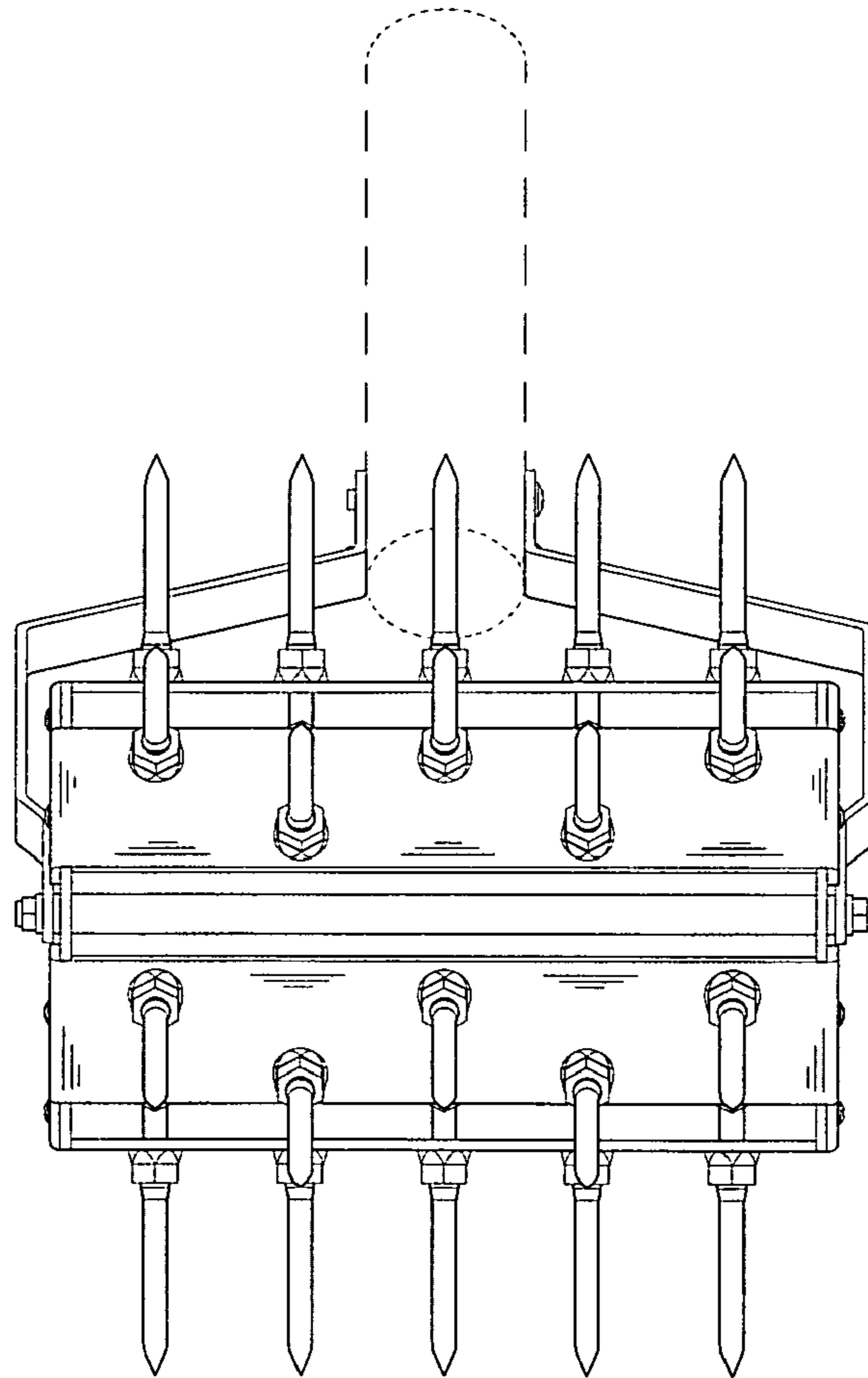


FIG. 2

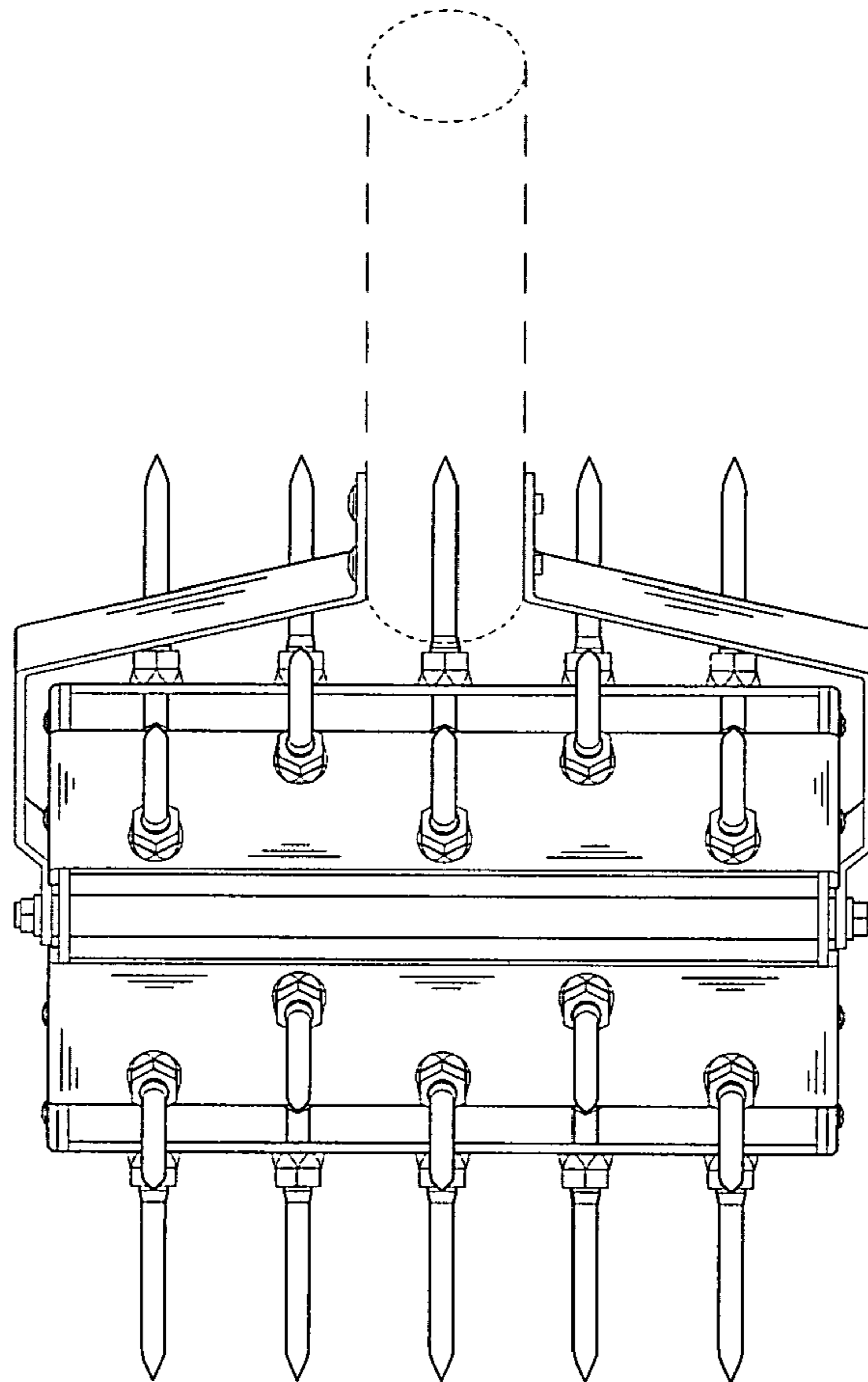


FIG. 3

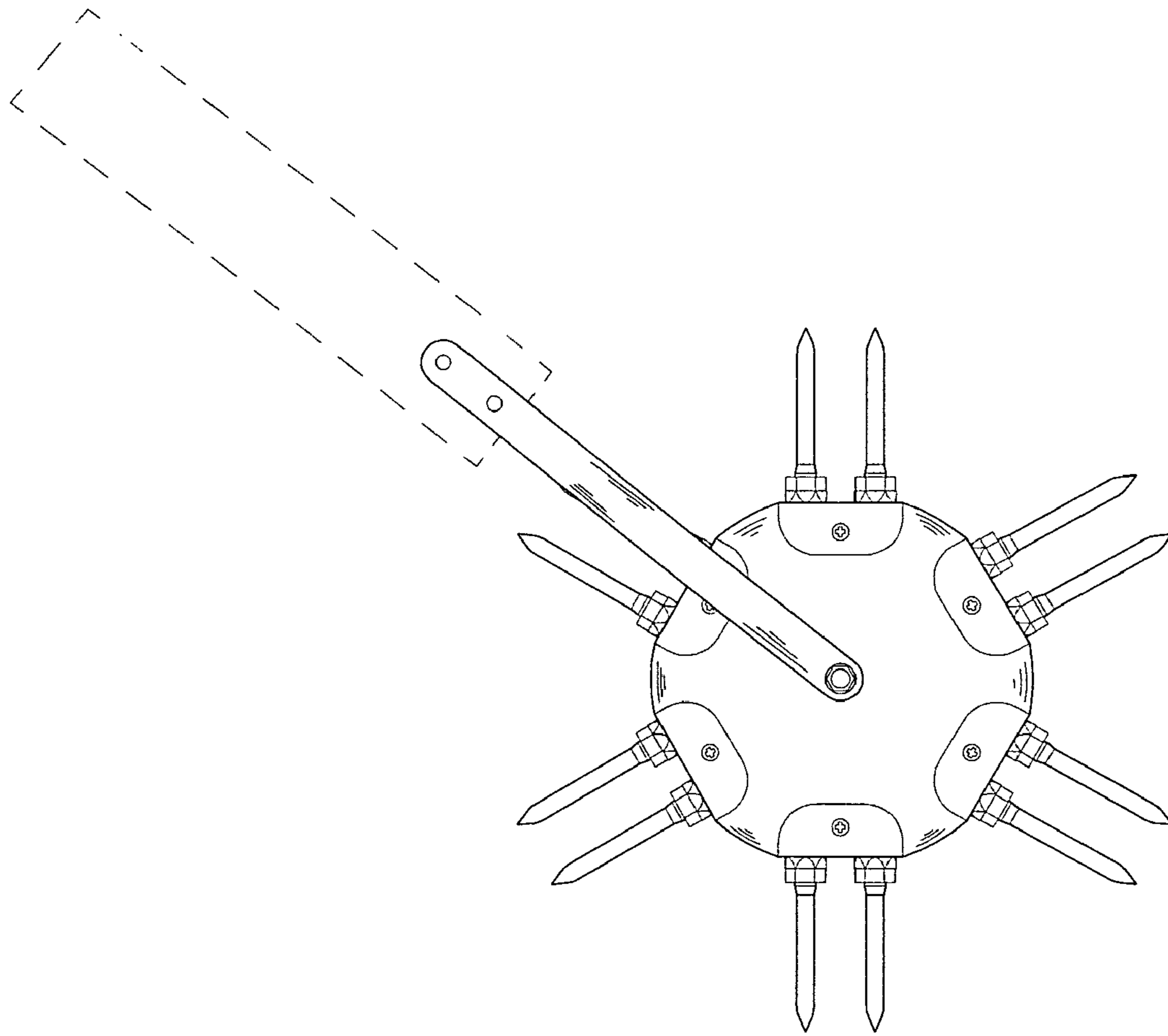


FIG. 4

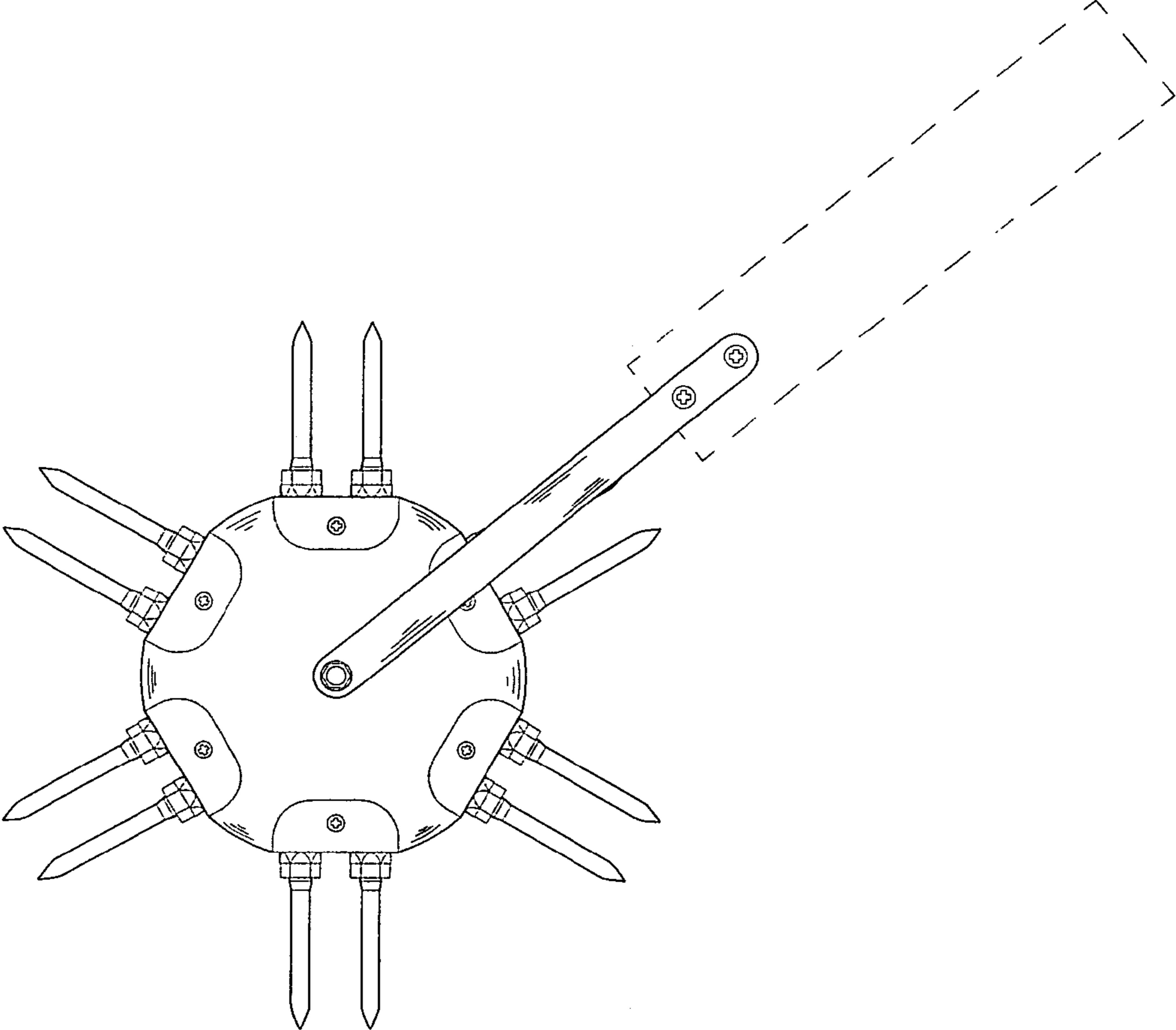


FIG. 5

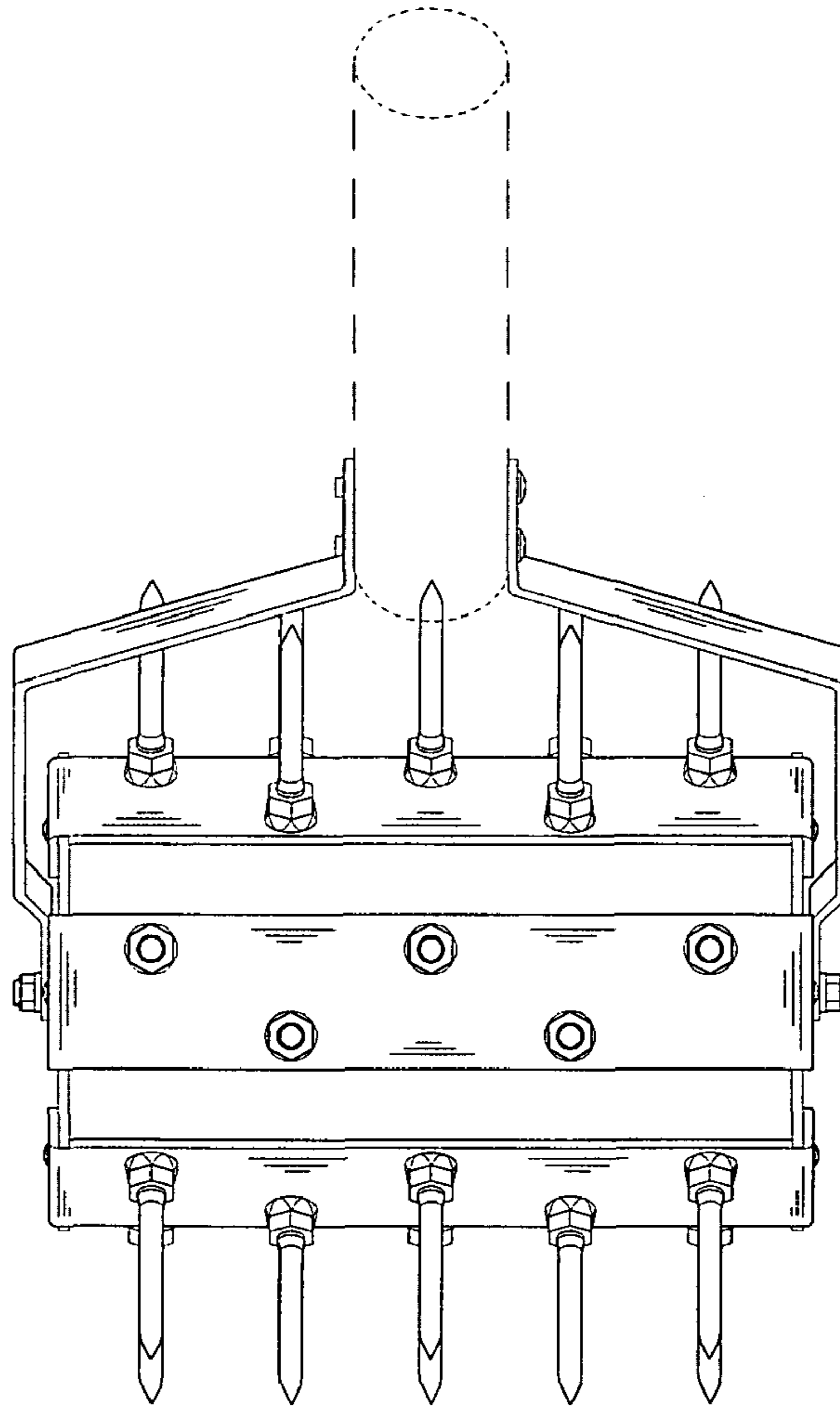


FIG. 6

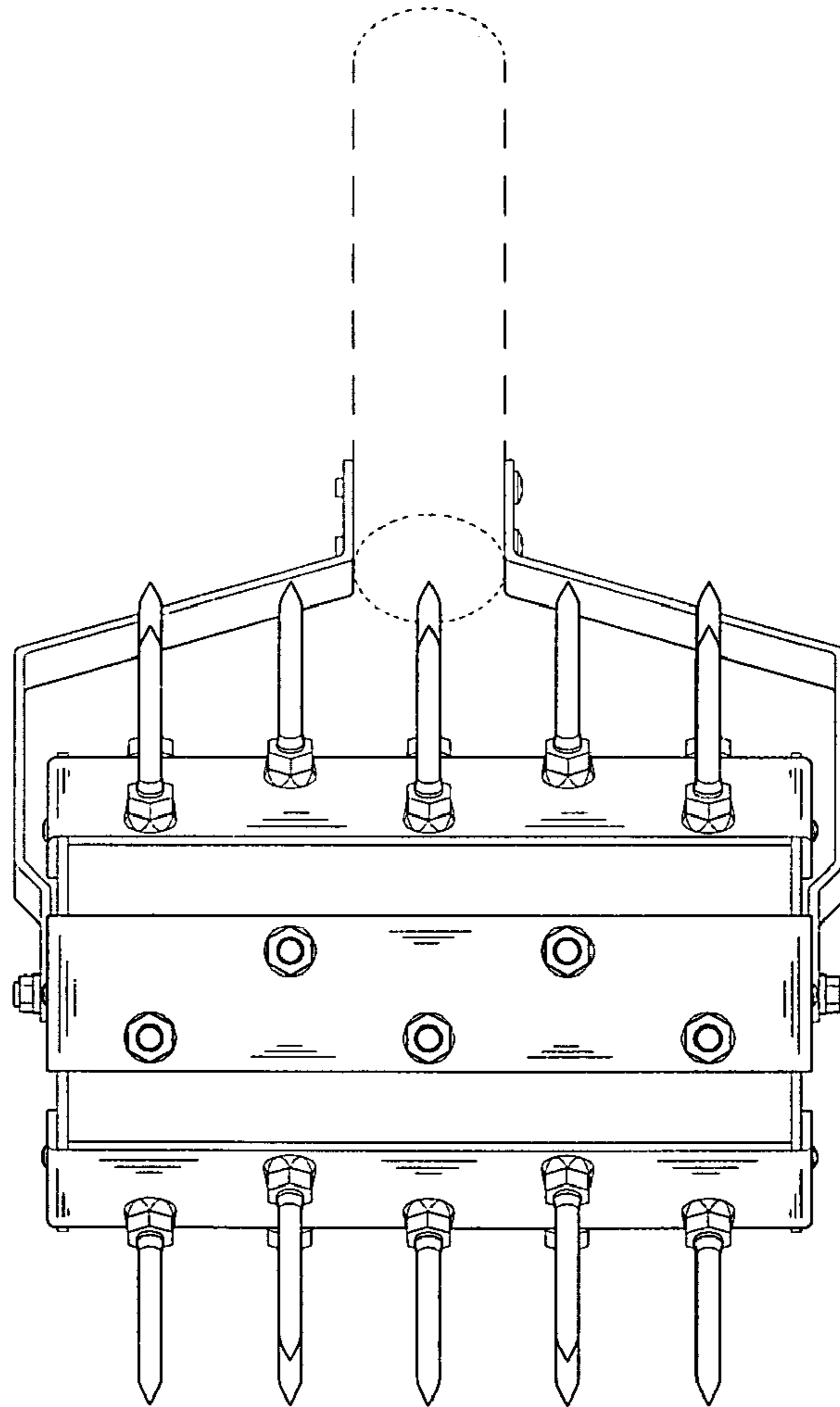


FIG. 7