



US00D640903S

(12) **United States Design Patent**  
**Mathieu**

(10) **Patent No.:** **US D640,903 S**

(45) **Date of Patent:** **\*\* \*Jul. 5, 2011**

(54) **BLADE FOR CORERS**

(75) Inventor: **Jean-Noël Mathieu**, Vagney (FR)

(73) Assignee: **De Buyer Industries**, Le Val d'Ajol (FR)

(\* ) Notice: This patent is subject to a terminal disclaimer.

(\*\*) Term: **14 Years**

(21) Appl. No.: **29/364,745**

(22) Filed: **Jun. 28, 2010**

(30) **Foreign Application Priority Data**

Feb. 16, 2010 (EM) ..... 001670720-0001

Feb. 16, 2010 (EM) ..... 001670720-0002

(51) **LOC (9) Cl.** ..... **07-06**

(52) **U.S. Cl.** ..... **D7/693**

(58) **Field of Classification Search** ..... D7/693,  
D7/368, 669; 30/121.5, 123.7, 123.5, 287,  
30/302, 316; 452/149, 30; 99/567, 568,  
99/588, 600, 590

See application file for complete search history.

(56) **References Cited**

U.S. PATENT DOCUMENTS

4,136,447 A \* 1/1979 Gillham, Sr. .... 30/287  
5,251,377 A \* 10/1993 Ho ..... 30/123.5  
D421,698 S \* 3/2000 Wang ..... D7/693  
D488,681 S \* 4/2004 Overthun et al. .... D7/693

\* cited by examiner

*Primary Examiner* — Terry A Wallace

(74) *Attorney, Agent, or Firm* — Galgano & Associates PLLC; Thomas M. Galgano; Jessica G. Bower

(57) **CLAIM**

The ornamental design for a blade for corers, as shown and described.

**DESCRIPTION**

FIG. 1 is a top and side perspective view of the blade, showing my new design;

FIG. 2 is a right side elevational view thereof;

FIG. 3 is a left side elevational view thereof;

FIG. 4 is a front elevational view thereof;

FIG. 5 is a rear elevational view thereof;

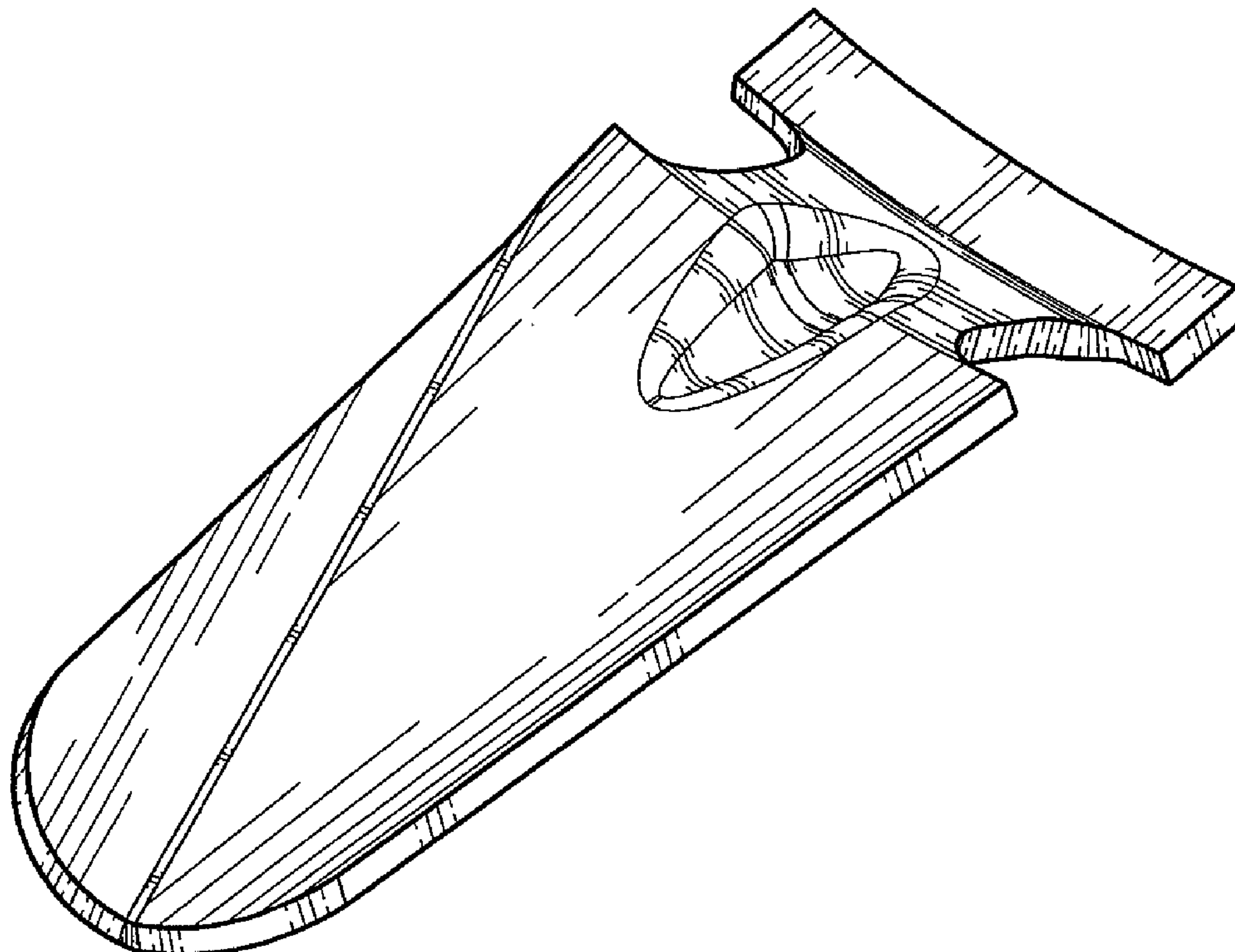
FIG. 6 is a top plan view thereof;

FIG. 7 is a bottom plan view thereof;

FIG. 8 is a top and side perspective view of the blade mounted in the corer with the corer shown in phantom; and,

FIG. 9 is a bottom and side perspective view of the blade mounted in the corer with the corer shown in phantom.

**1 Claim, 5 Drawing Sheets**



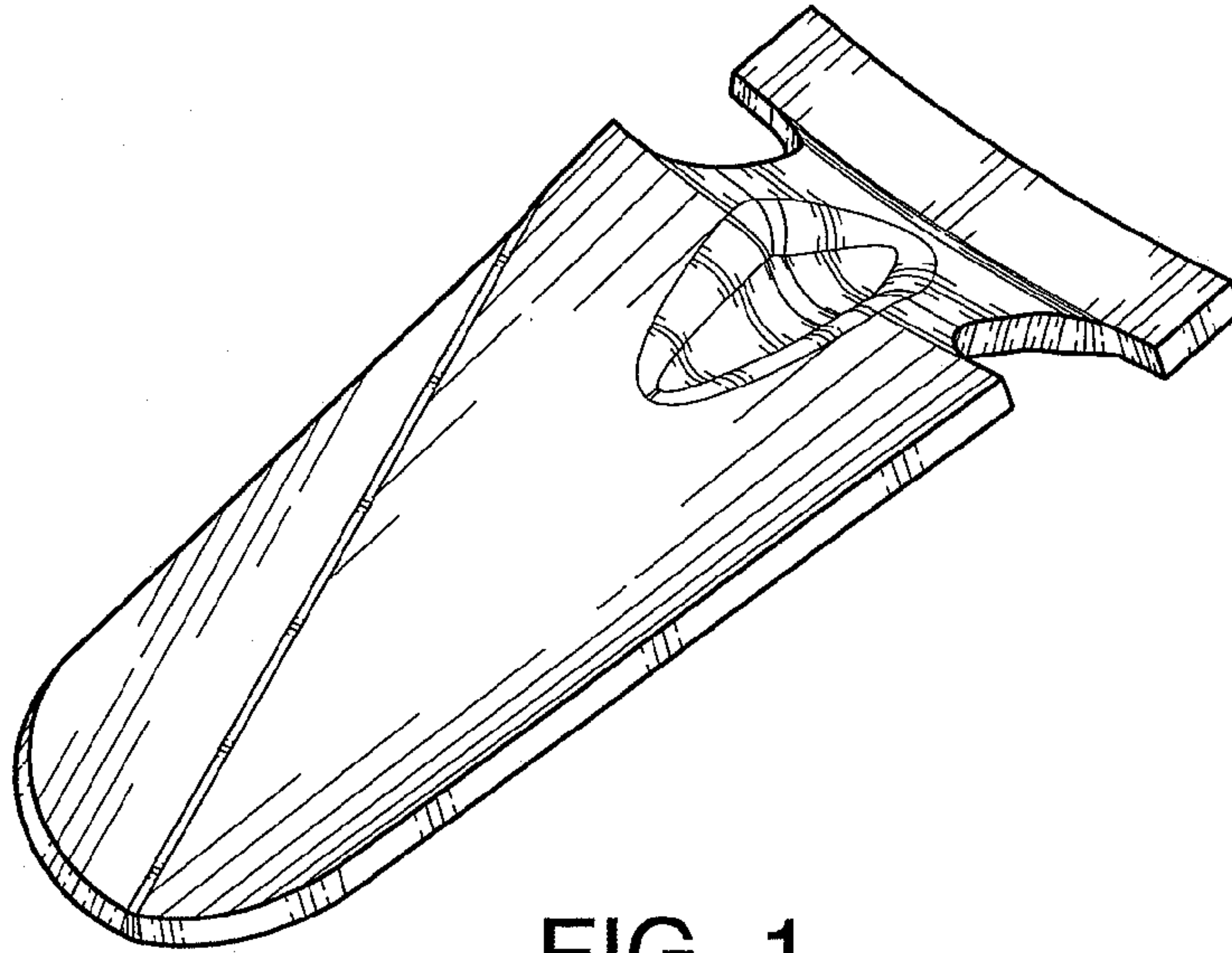


FIG. 1

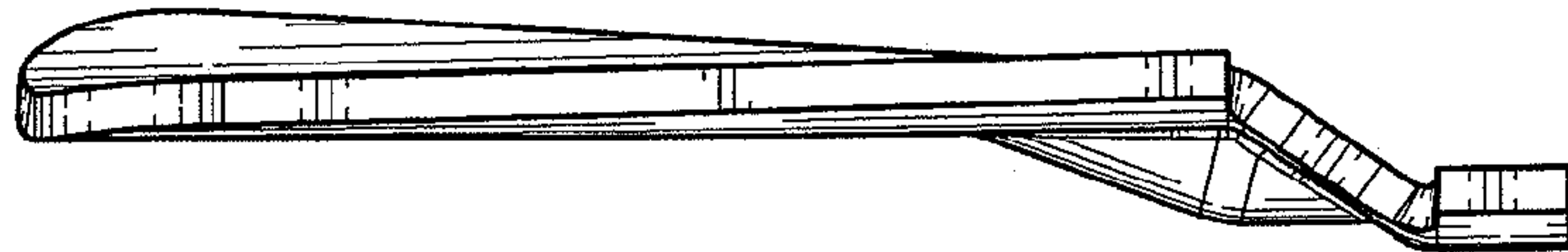


FIG. 2

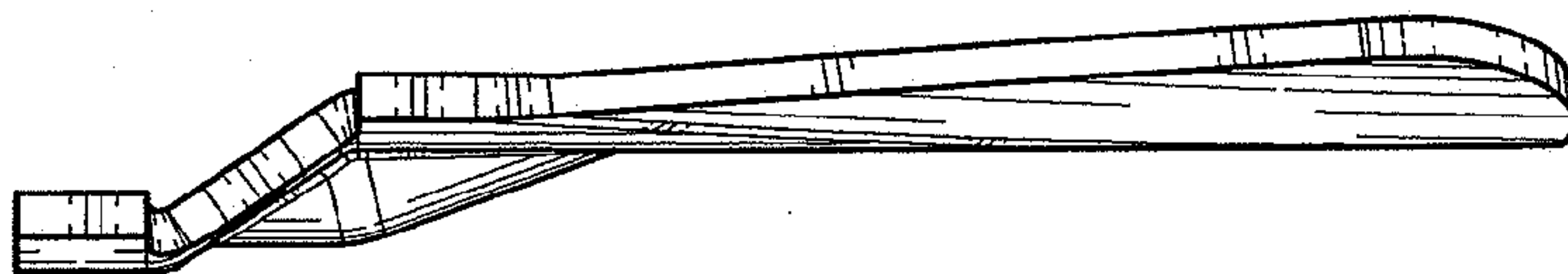


FIG. 3

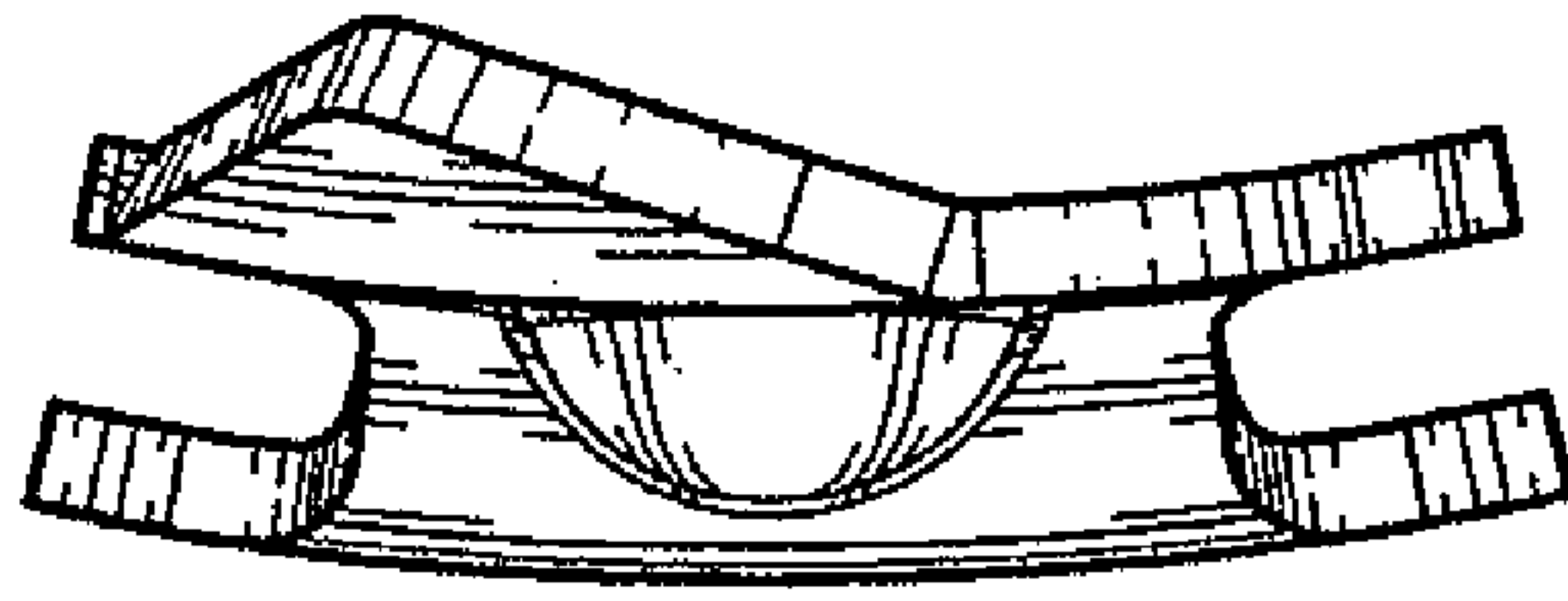


FIG. 4

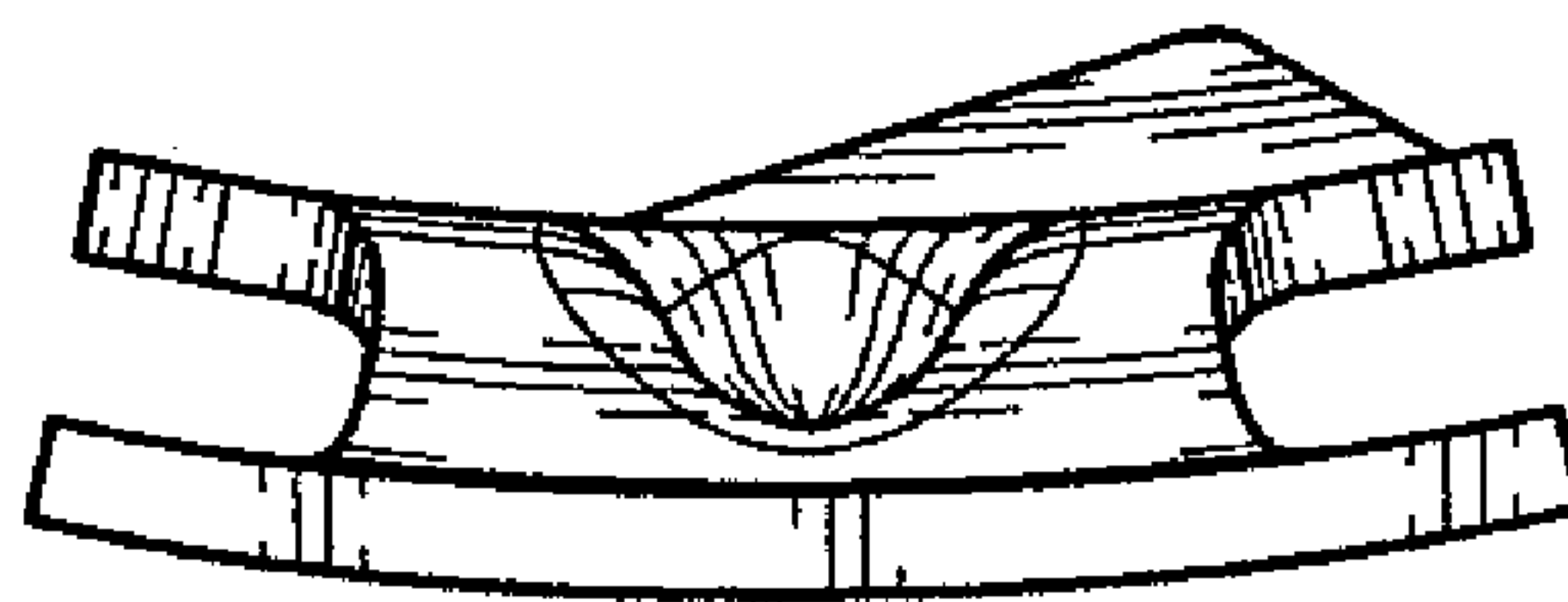


FIG. 5

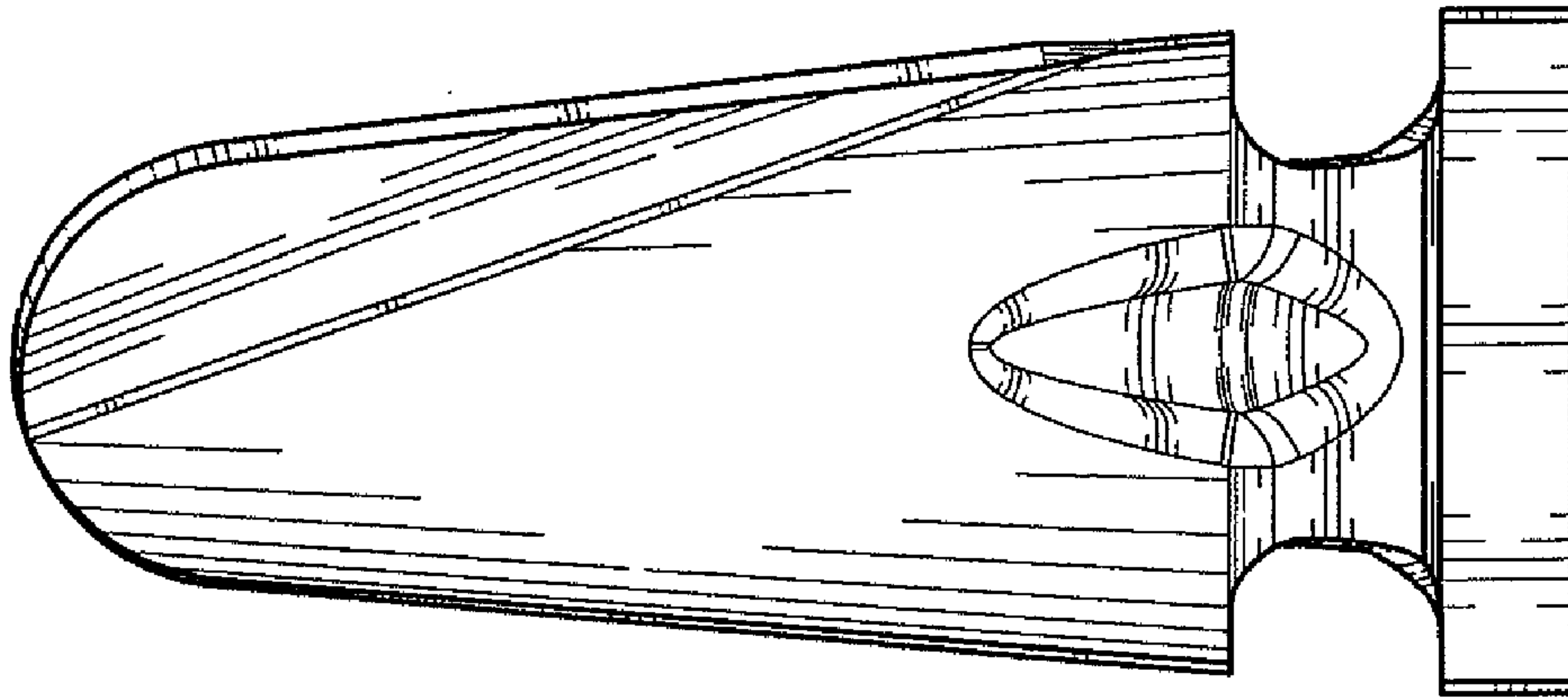


FIG. 6

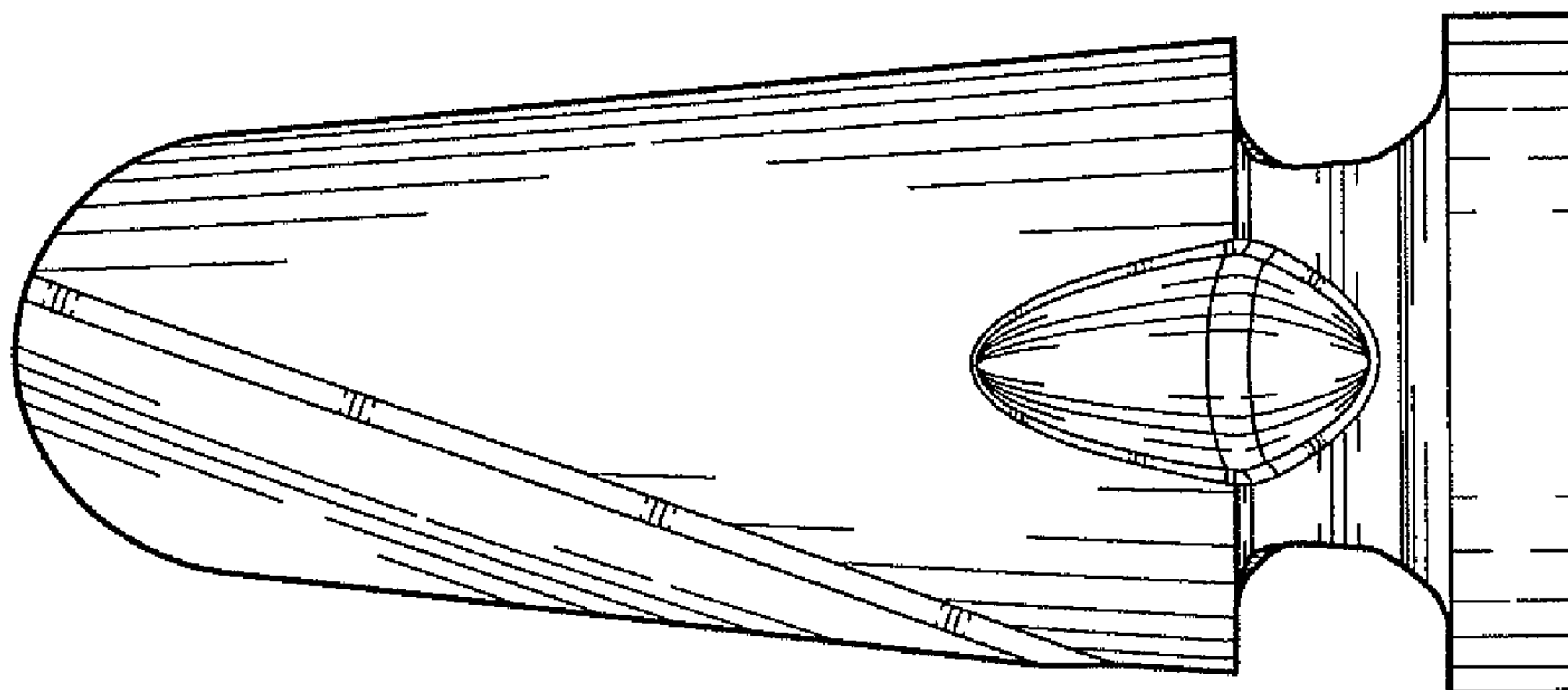


FIG. 7

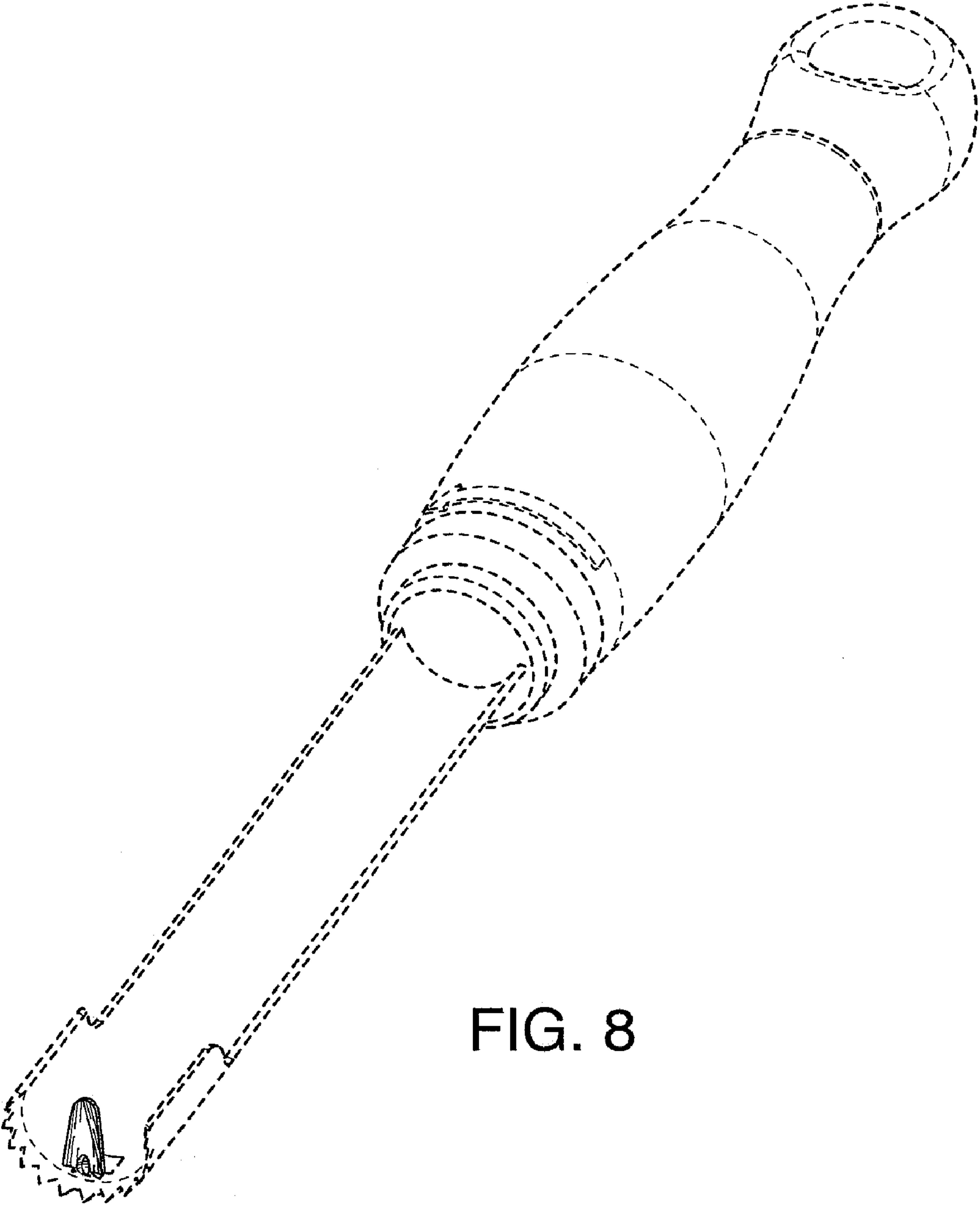


FIG. 8

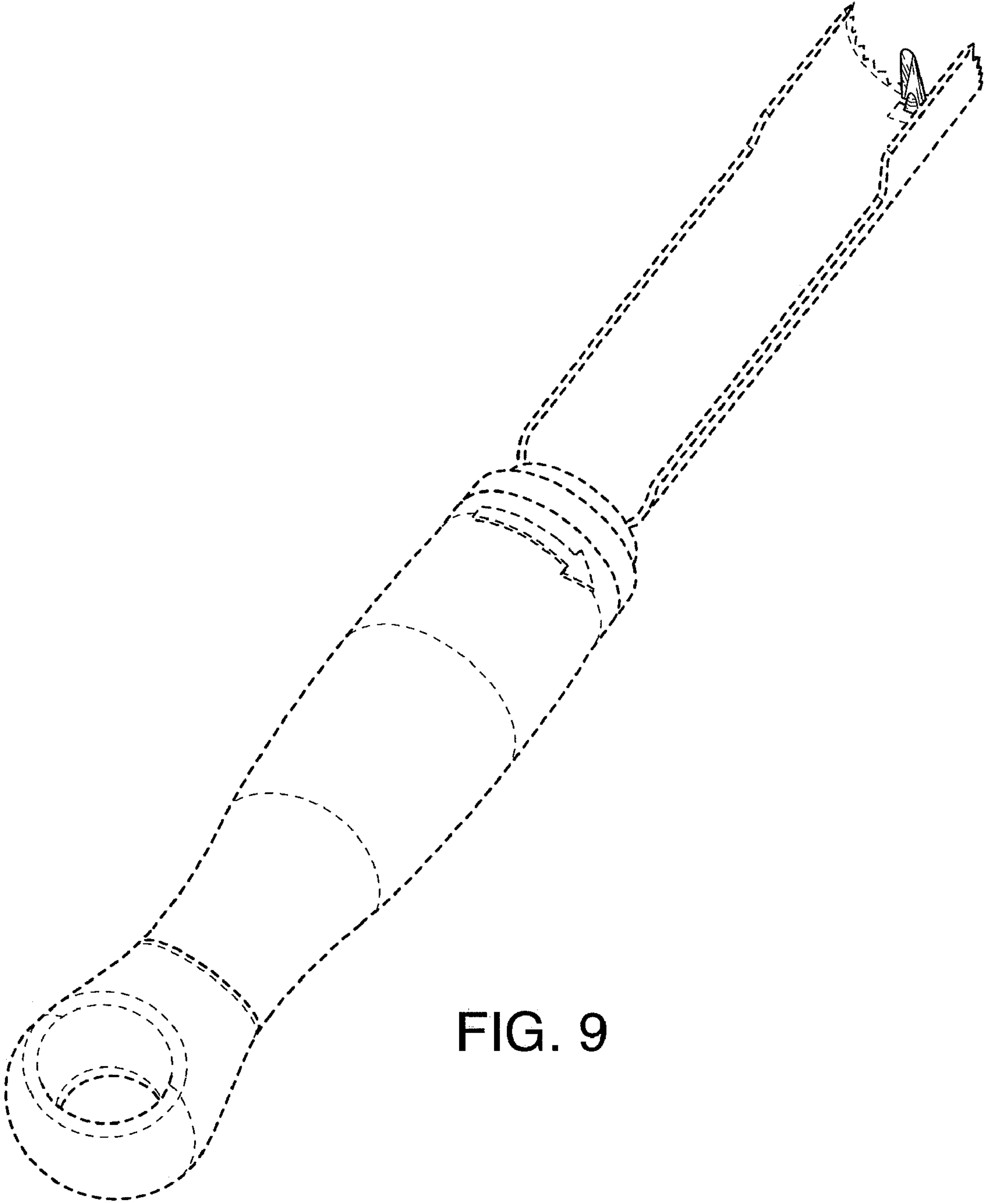


FIG. 9