

US00D640902S

(12) **United States Design Patent**
Repp et al.

(10) **Patent No.:** **US D640,902 S**

(45) **Date of Patent:** **** Jul. 5, 2011**

(54) **BULB ACTUATED SUCTION DEVICE**

(76) Inventors: **Timothy Corcoran Repp**, Pleasant Valley, CT (US); **Ellis N. Shamoon**, Dallas, TX (US)

(**) Term: **14 Years**

(21) Appl. No.: **29/369,696**

(22) Filed: **Sep. 12, 2010**

(51) **LOC (9) Cl.** **07-04**

(52) **U.S. Cl.** **D7/669**

(58) **Field of Classification Search** D7/669,
D7/368; 401/281, 126, 129, 270, 280, 284;
141/26, 352, 357, 1; 99/345, 346, 494, 532
See application file for complete search history.

(56) **References Cited**

U.S. PATENT DOCUMENTS

2,234,884	A *	3/1941	Teel	239/327
3,295,523	A *	1/1967	Weichselbaum	604/217
5,638,872	A *	6/1997	Porter	141/26
D385,757	S *	11/1997	Fielding et al.	D7/669
5,787,799	A *	8/1998	Mohrhauser et al.	99/345
5,875,823	A *	3/1999	Porter	141/26

6,244,308	B1	6/2001	Bignon et al.	
6,575,204	B1 *	6/2003	Godfrey et al. 141/26
D487,380	S *	3/2004	Kaposi D7/669
D521,327	S *	5/2006	Neal et al. D7/669
D550,966	S	9/2007	Kaposi	

* cited by examiner

Primary Examiner — Terry Wallace

(74) *Attorney, Agent, or Firm* — Daniel V. Thompson

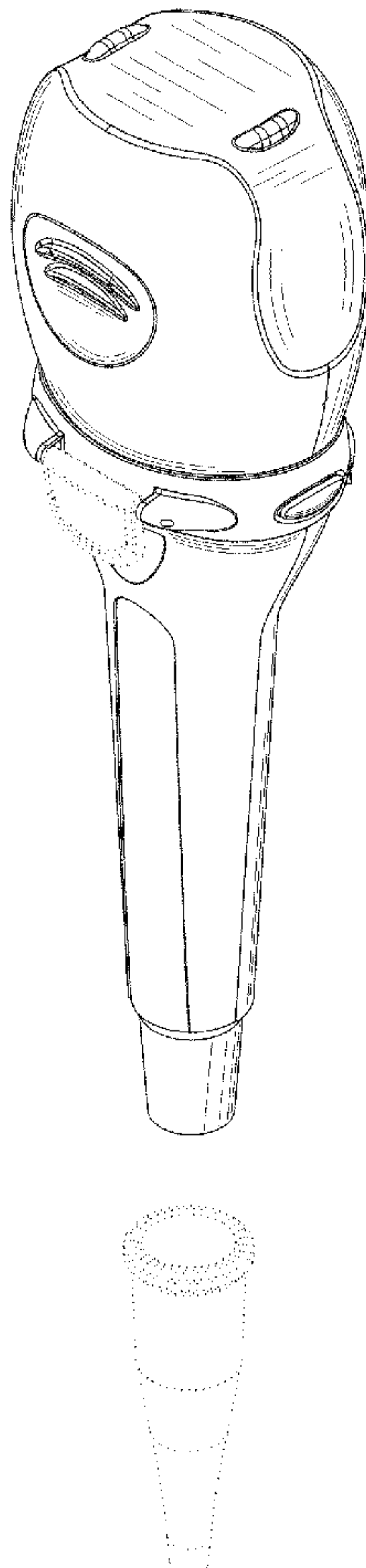
(57) **CLAIM**

The ornamental design for a bulb actuated suction device, as shown and described.

DESCRIPTION

FIG. 1 is a perspective view of the bulb actuated suction device showing my new design;
FIG. 2 is a front elevational view thereof;
FIG. 3 is a rear elevational view thereof;
FIG. 4 is a right side elevational view thereof;
FIG. 5 is a left side elevational view thereof;
FIG. 6 is a top plan view thereof; and,
FIG. 7 is a bottom plan view thereof.
The broken lines are for illustrative purposes only and form no part of the claimed design.

1 Claim, 7 Drawing Sheets



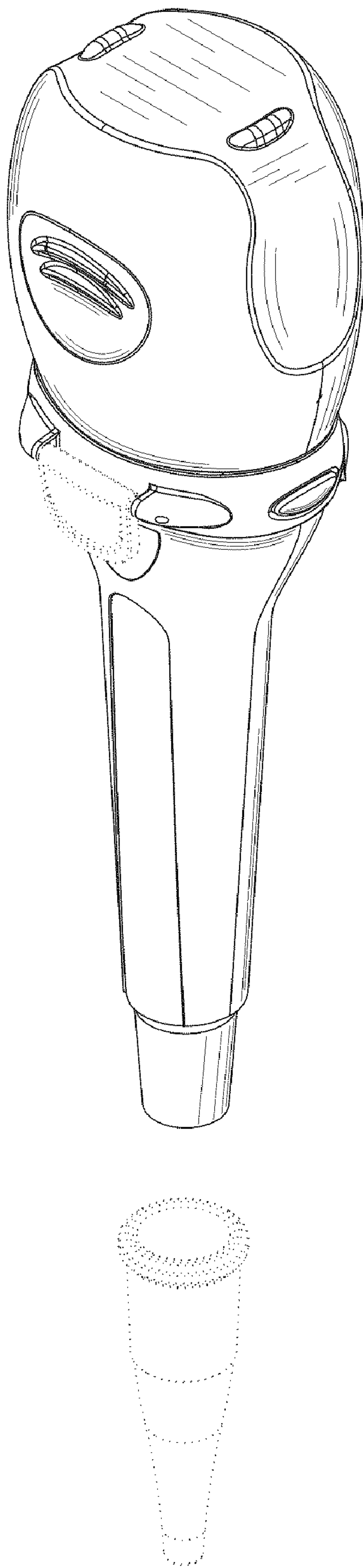


FIG. 1

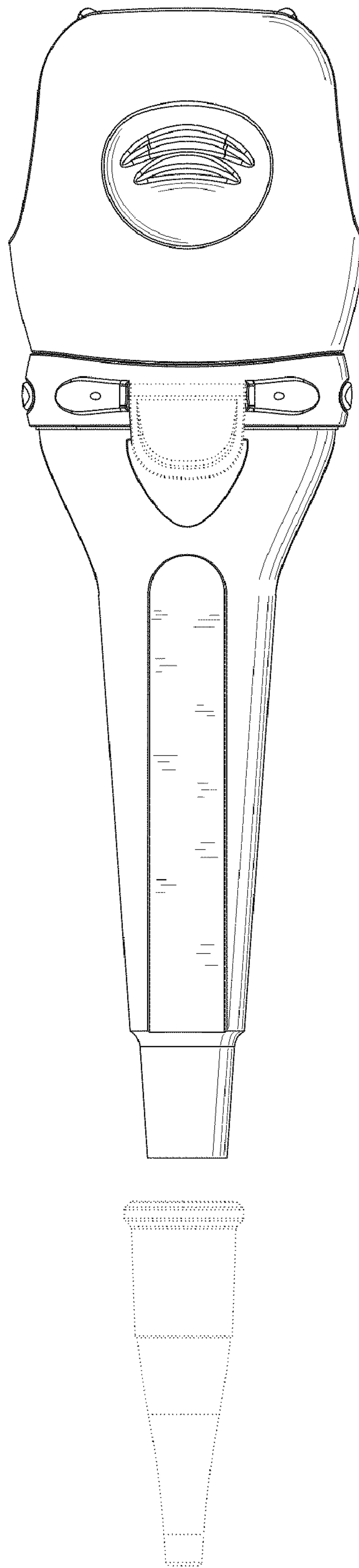


FIG. 2

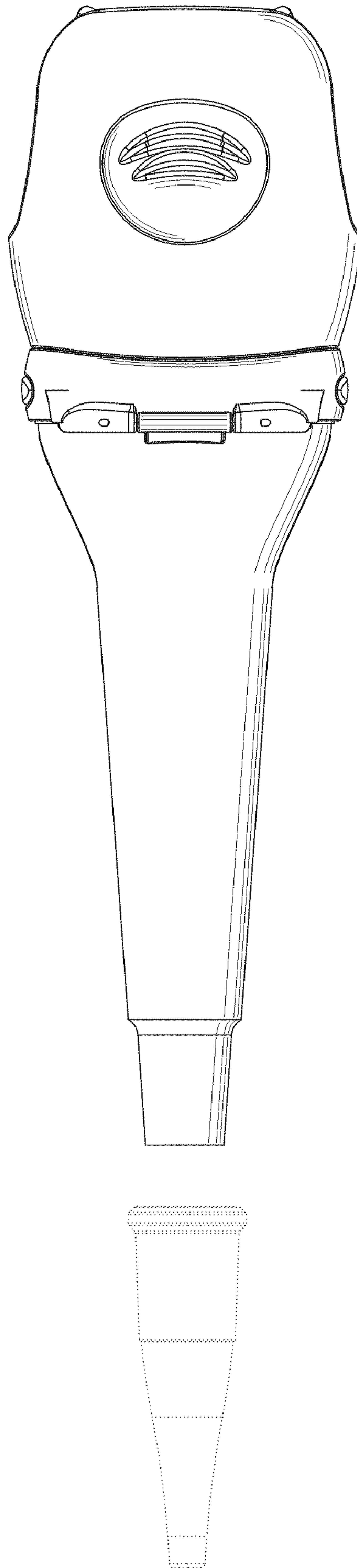


FIG. 3

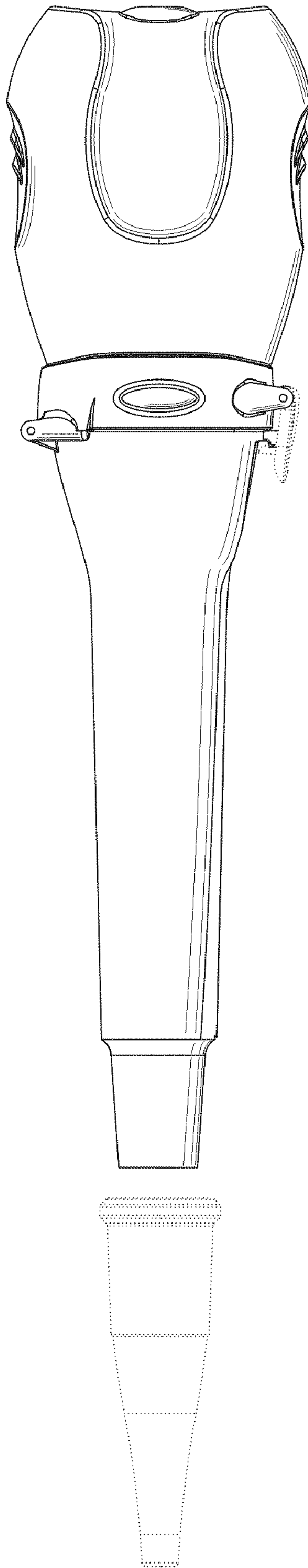


FIG. 4

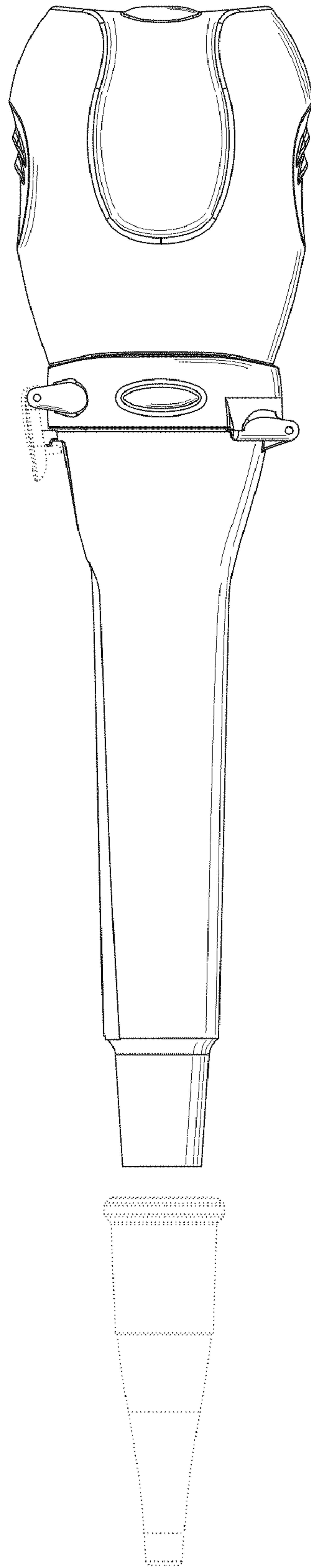


FIG. 5

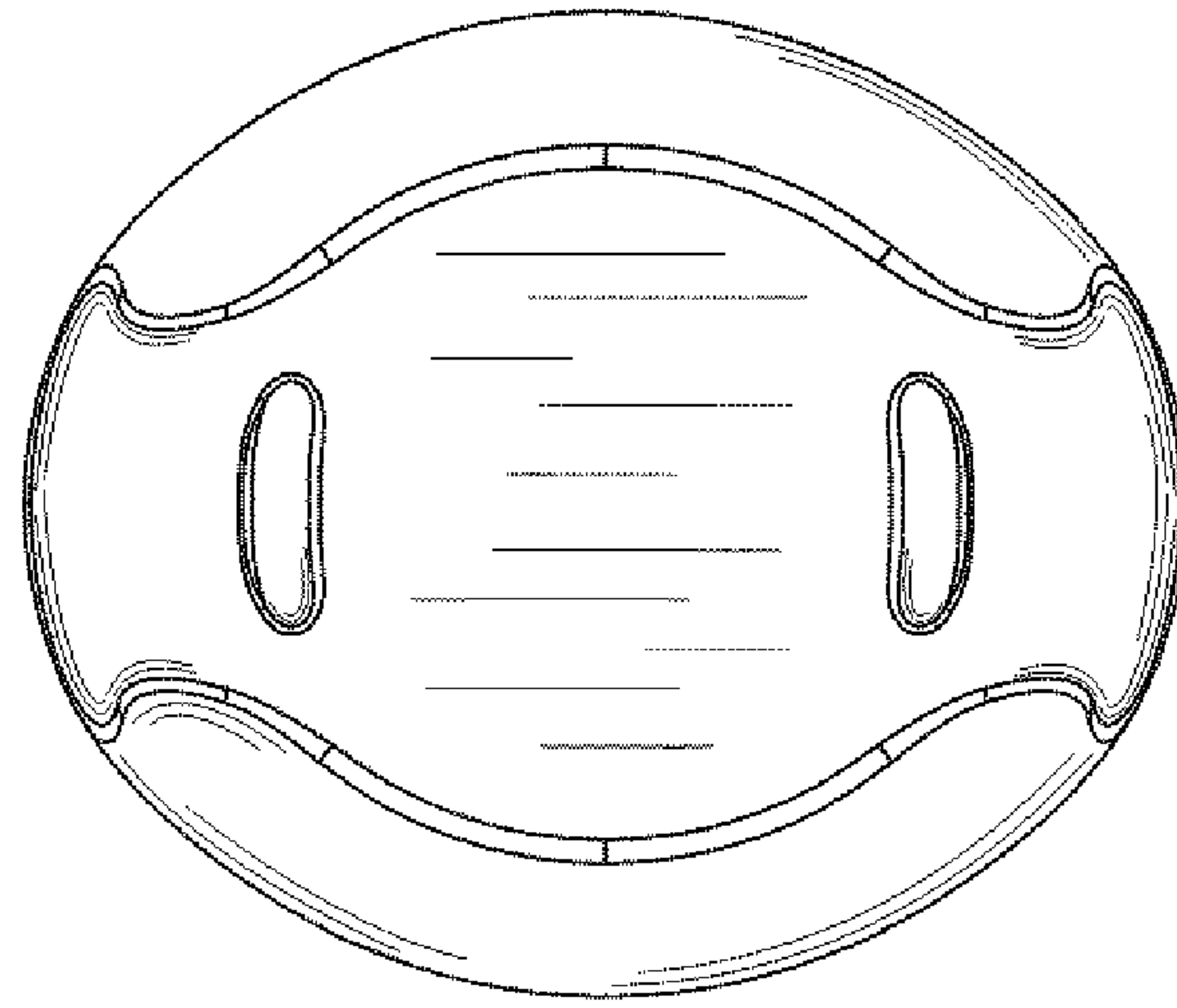


FIG. 6

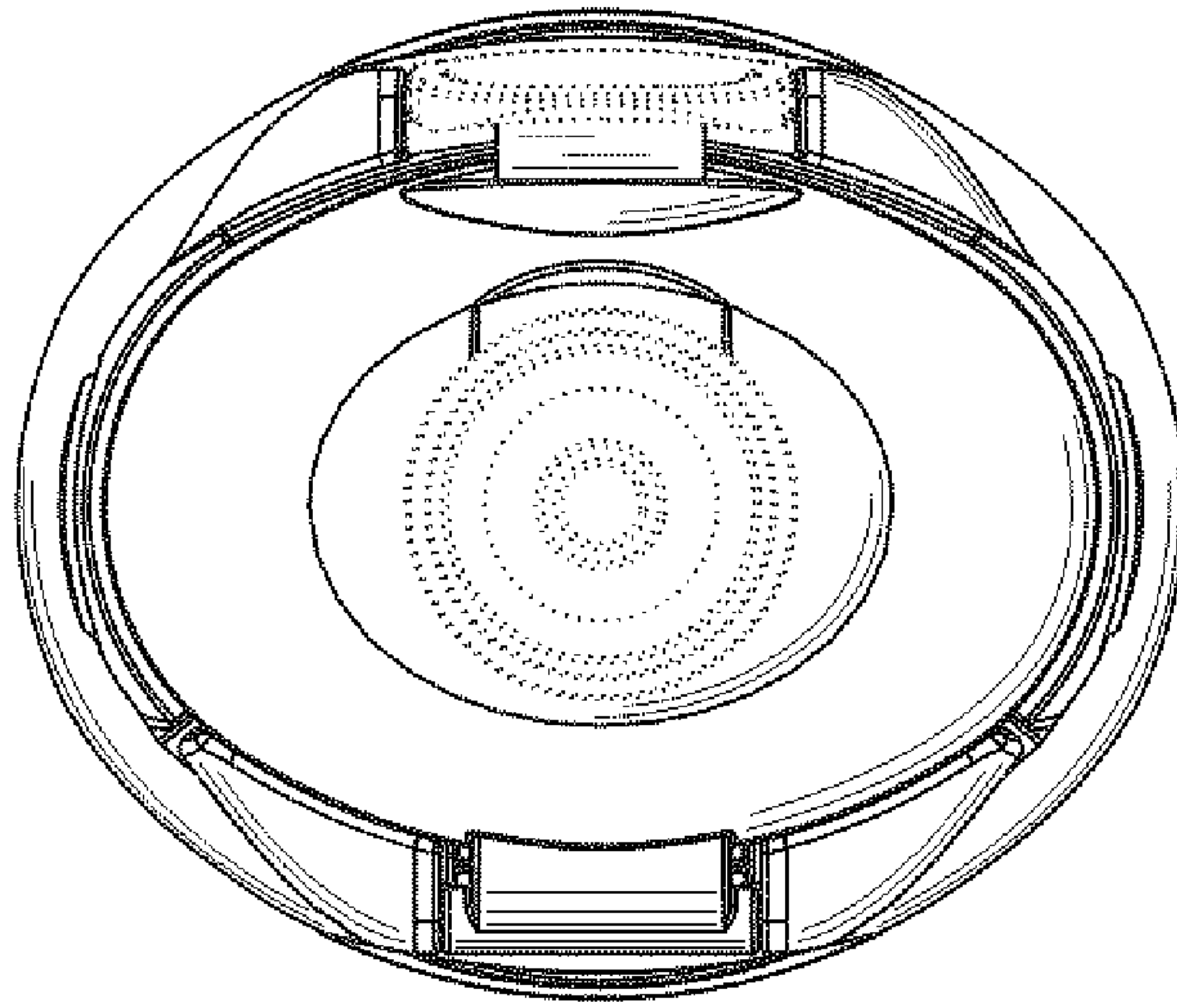


FIG. 7