



US00D640901S

(12) **United States Design Patent**
Goldwire

(10) **Patent No.:** **US D640,901 S**

(45) **Date of Patent:** **** Jul. 5, 2011**

(54) **WINE GLASS FORMAL DRESS WEAR**

(76) **Inventor:** **Marche Reshonne Goldwire**, Byron,
GA (US)

(**) **Term:** **14 Years**

(21) **Appl. No.:** **29/365,692**

(22) **Filed:** **Jul. 13, 2010**

(51) **LOC (9) Cl.** **07-06**

(52) **U.S. Cl.** **D7/625**

(58) **Field of Classification Search** D7/619.1–625,
D7/606, 607, 696.2; 215/392–396; 220/737–739,
220/902, 903, 592.16, 592.17, 694, 703;
62/457.1–457.9, 529, 530; 229/400, 402,
229/403, 800, 906.1, 939

See application file for complete search history.

(56) **References Cited**

U.S. PATENT DOCUMENTS

4,181,765	A *	1/1980	Harmony	220/903
4,989,418	A *	2/1991	Hewlett	62/457.4
D429,447	S *	8/2000	Prag	D7/607
D515,365	S *	2/2006	Cooper	D7/624.2

D595,096	S *	6/2009	Slay	D7/624.2
D597,795	S *	8/2009	Ford	D7/624.2
2004/0173625	A1 *	9/2004	Jones	220/739
2007/0125787	A1 *	6/2007	Oathout et al.	220/592.16
2007/0125791	A1 *	6/2007	Donnelly et al.	220/737

* cited by examiner

Primary Examiner — Terry A Wallace

(74) *Attorney, Agent, or Firm* — Sinorica, LLC

(57) **CLAIM**

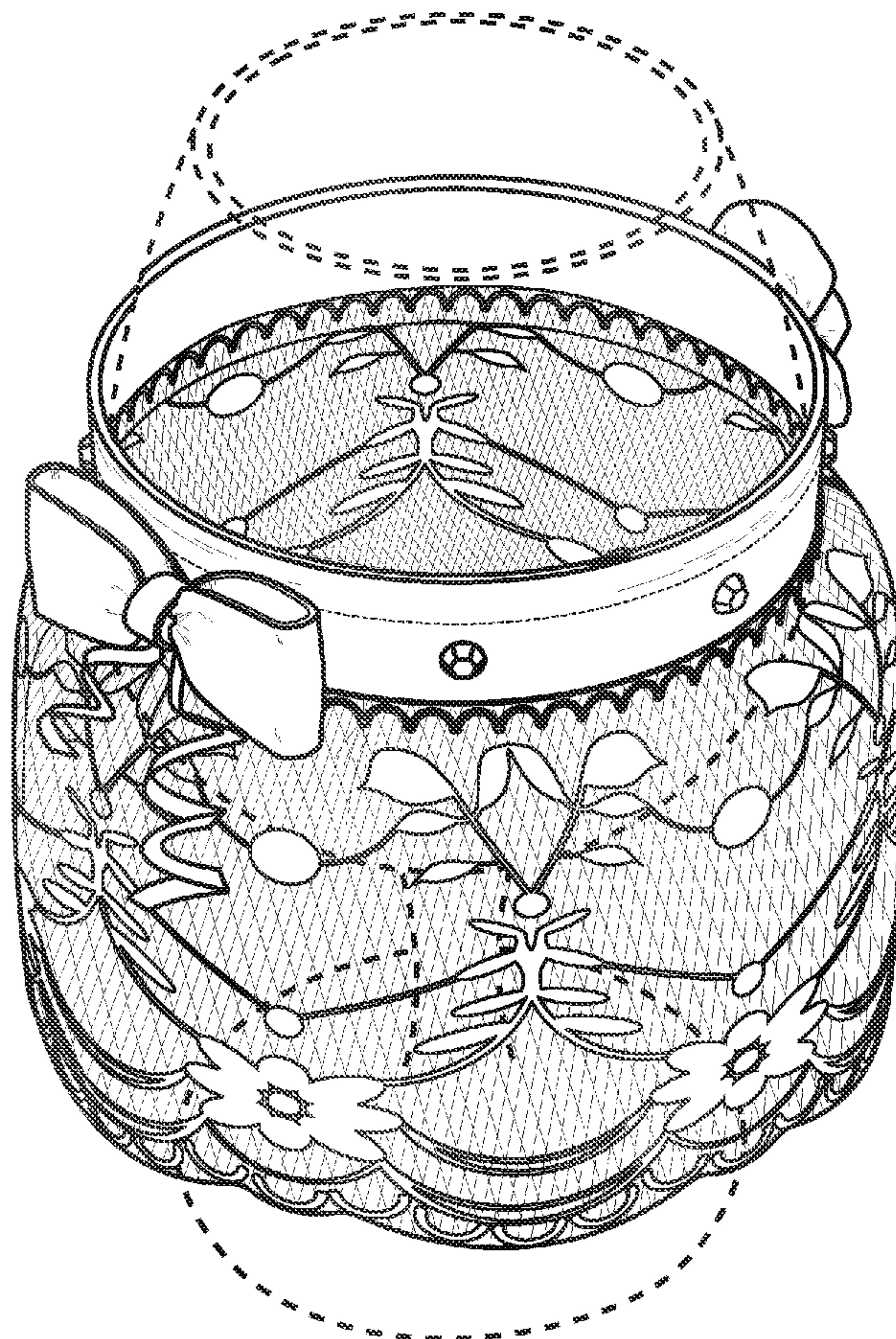
The ornamental design of wine glass formal dress wear, as shown and described.

DESCRIPTION

FIG. 1 is a perspective view of a wine glass formal dress wear; FIG. 2 is a rear elevational view thereof; FIG. 3 is a front elevational view thereof; FIG. 4 is a left-side elevational view thereof; FIG. 5 is a right-side elevational view thereof; FIG. 6 is a top plan view thereof; and, FIG. 7 is a bottom plan view thereof.

The broken lines showing the wine glass are for illustrative purposes only and form no part of the claimed design.

1 Claim, 4 Drawing Sheets



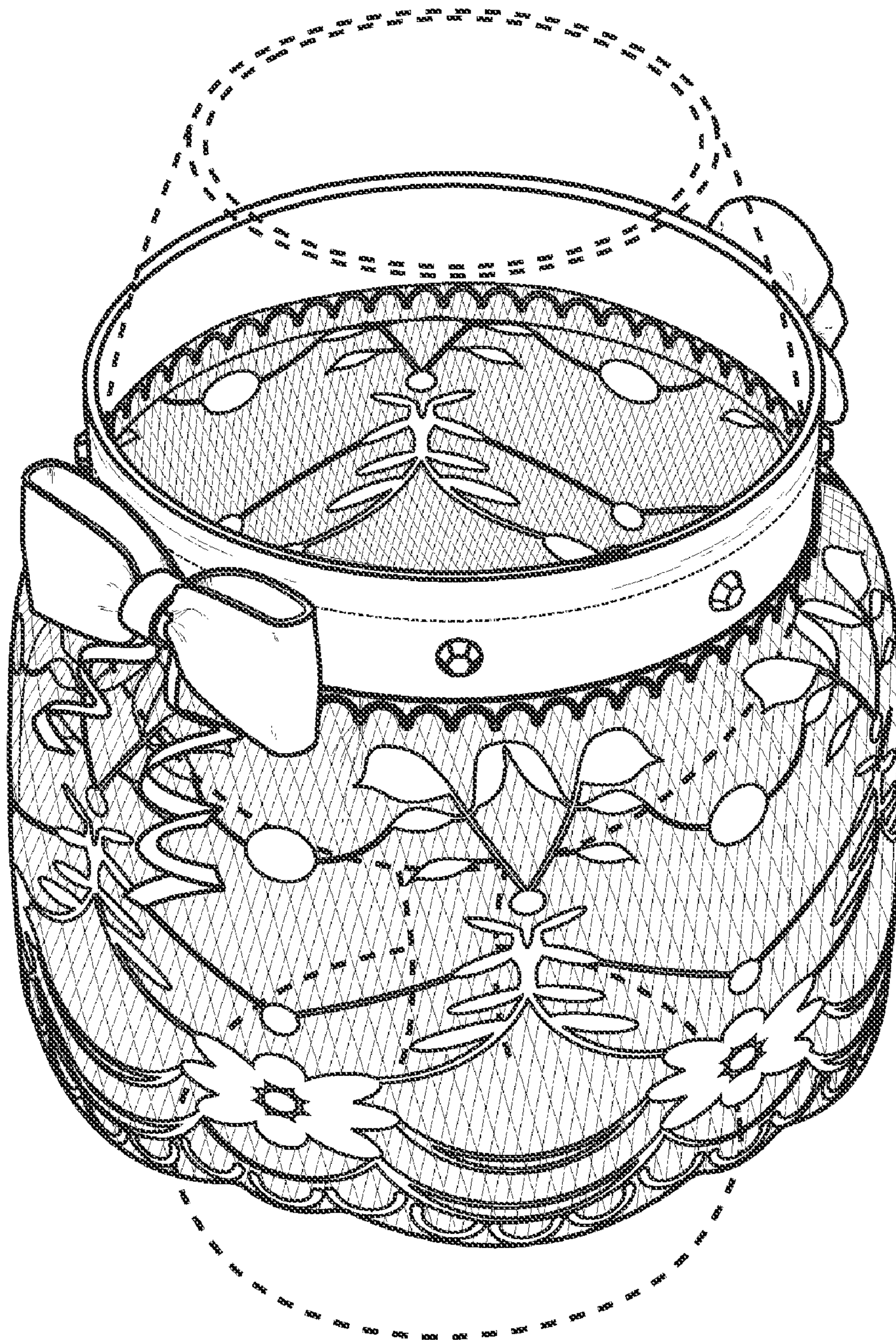


FIG. 1

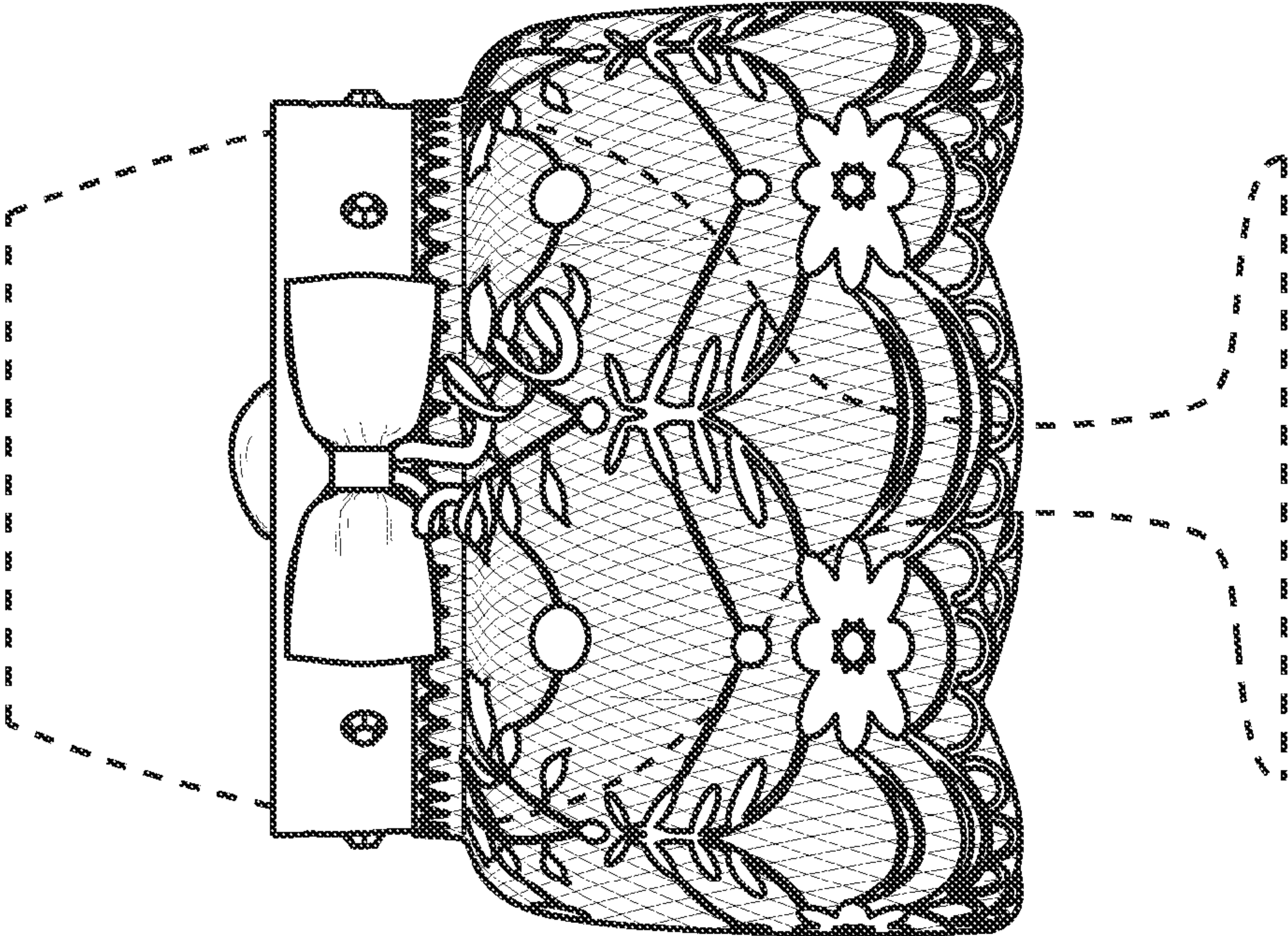


FIG. 2

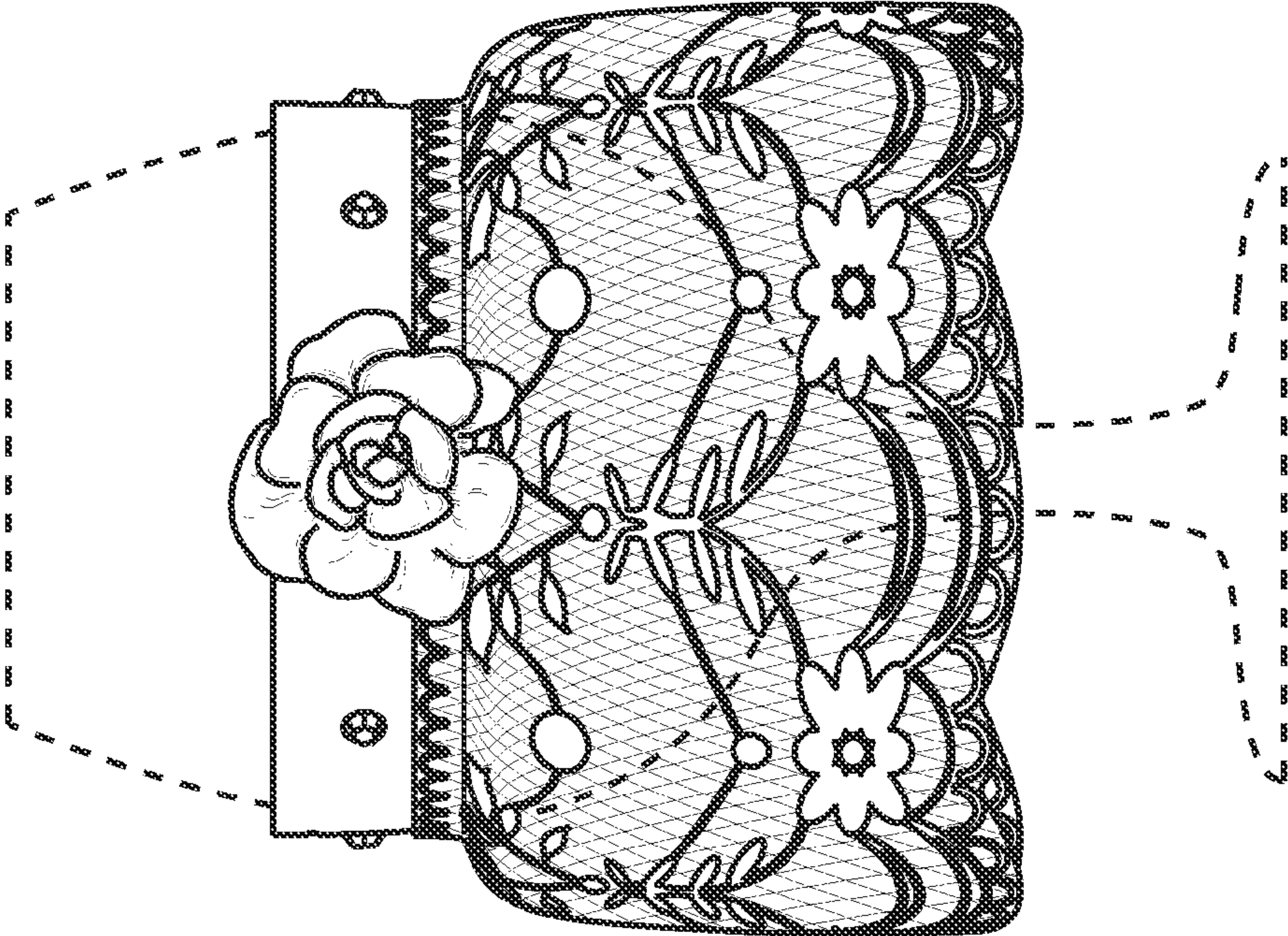


FIG. 3

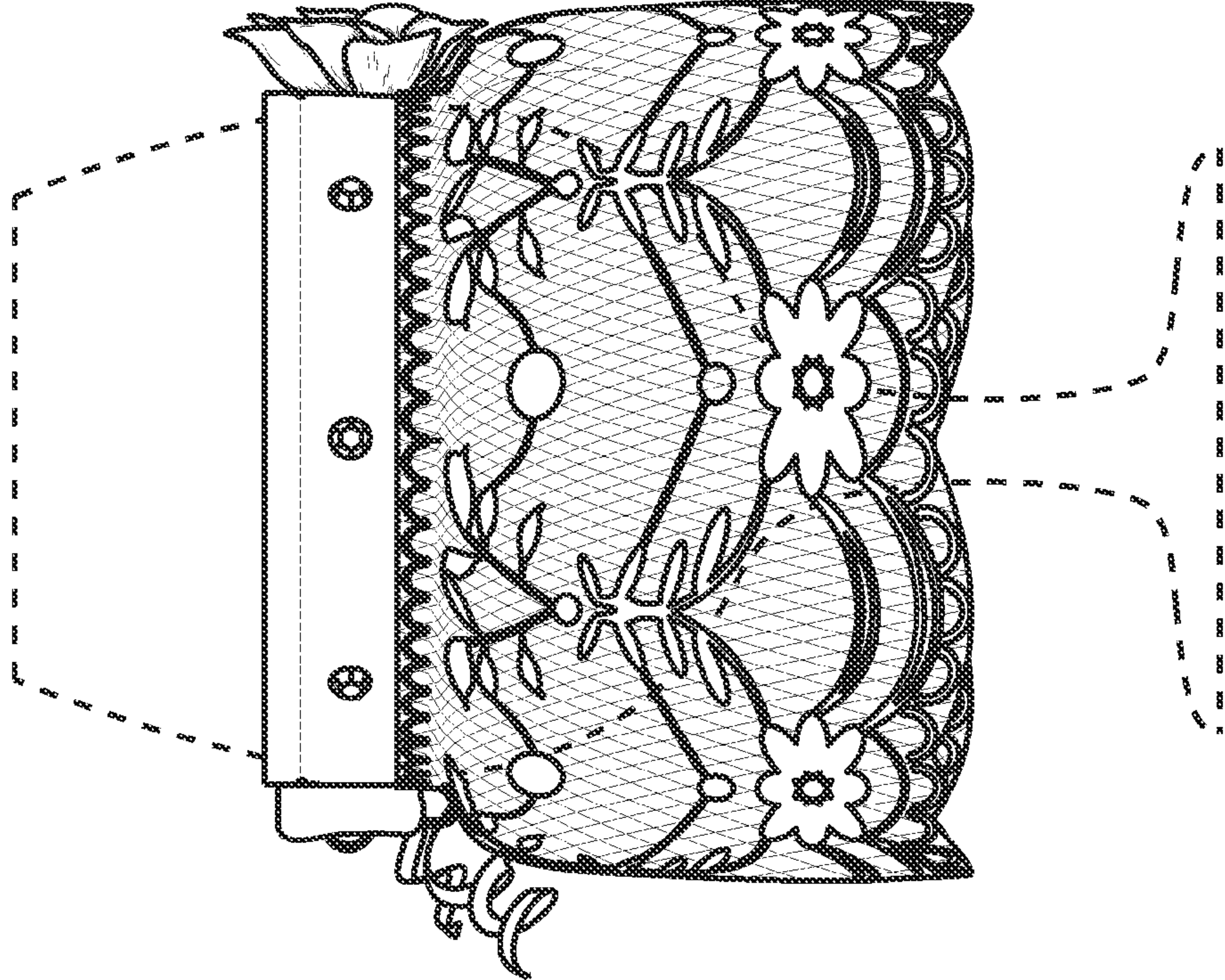


FIG. 4

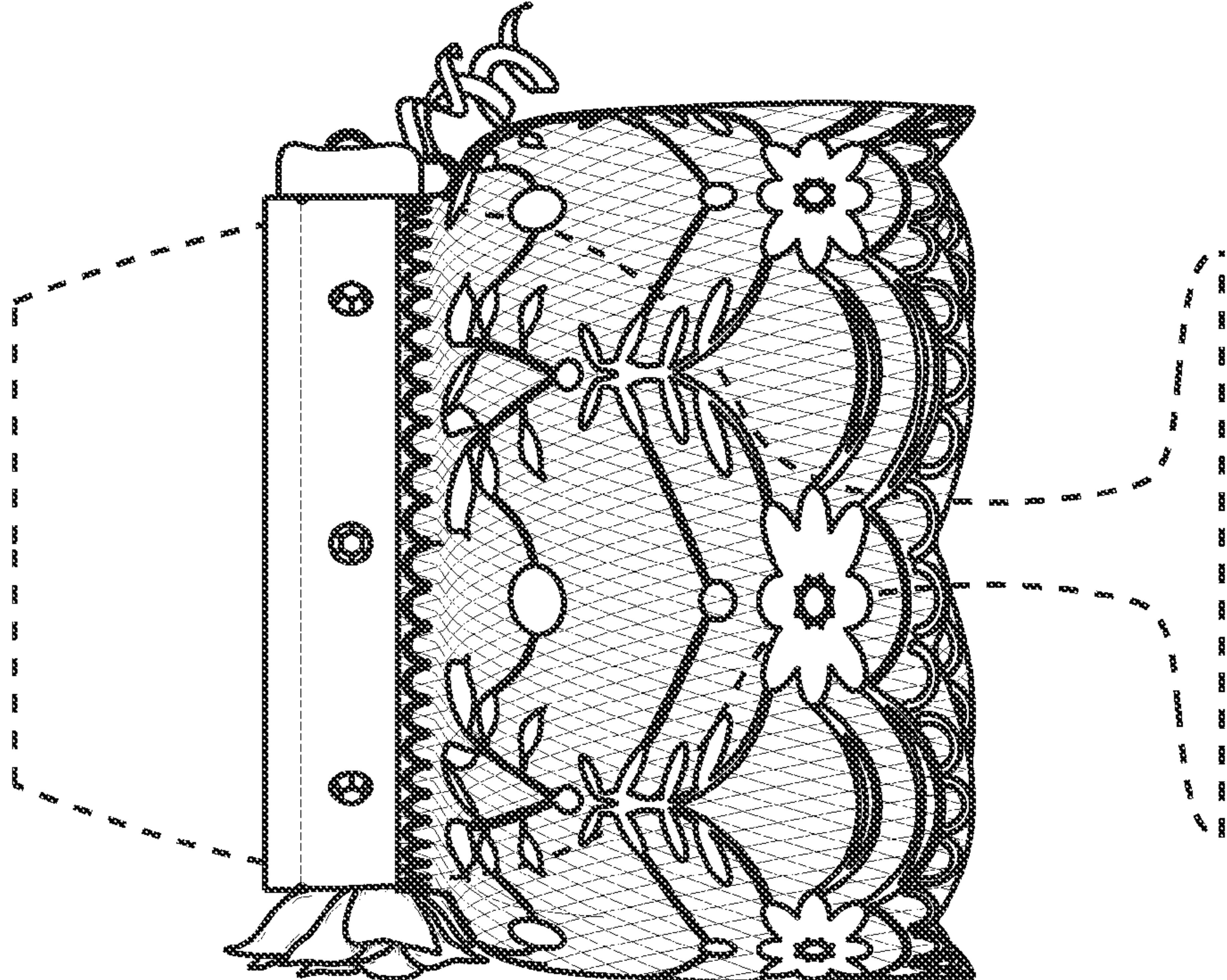


FIG. 5

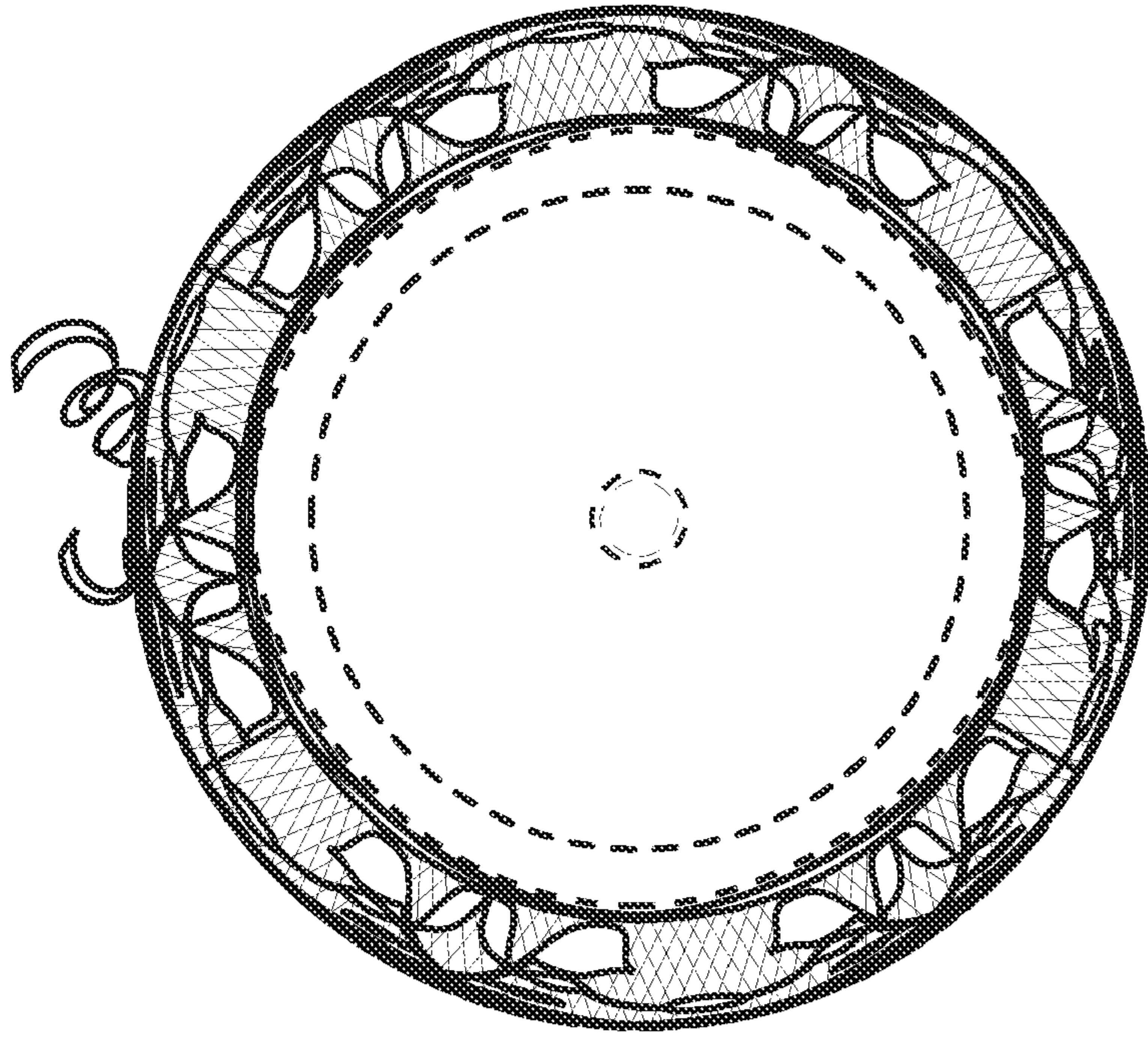


FIG. 7

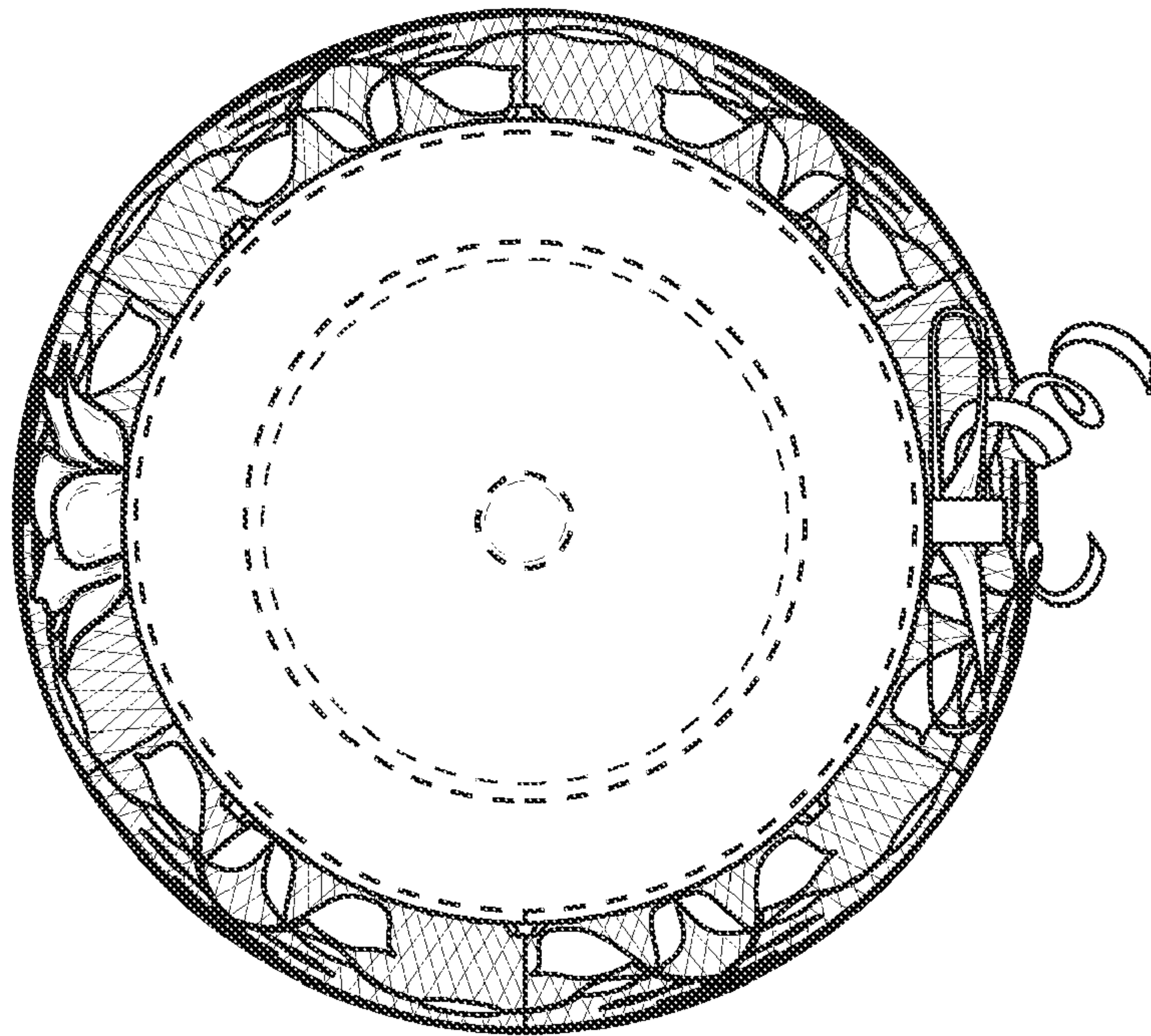


FIG. 6