



US00D640900S

(12) **United States Design Patent**  
**Jesseph**

(10) **Patent No.:** **US D640,900 S**  
(45) **Date of Patent:** **\*\* Jul. 5, 2011**

(54) **WINE GLASS INSULATOR**

**DESCRIPTION**

(75) Inventor: **Bonnie F. Jesseph**, Boone, NC (US)  
(73) Assignee: **W.I.N.O.S., Inc.**, Boone, NC (US)  
(\*\*) Term: **14 Years**  
(21) Appl. No.: **29/378,444**  
(22) Filed: **Nov. 4, 2010**  
(51) **LOC (9) Cl.** ..... **07-01**  
(52) **U.S. Cl.** ..... **D7/607; D7/624.2; D7/396.2**  
(58) **Field of Classification Search** ..... D7/603–608,  
D7/619.1–625, 396.1, 396.2; 229/400, 402,  
229/403, 800, 906.1, 939; 383/117, 118;  
62/529, 530, 457.1–457.9; 220/737, 739,  
220/902, 903, 592.16, 592.17, 592.2; 215/392–396  
See application file for complete search history.

(56) **References Cited**

**U.S. PATENT DOCUMENTS**

D429,447 S \* 8/2000 Prag ..... D7/607  
7,121,111 B2 \* 10/2006 Wilson et al. .... 62/457.4  
D594,686 S \* 6/2009 Bodum ..... D7/624.2  
D595,096 S 6/2009 Slay  
D605,900 S \* 12/2009 Bodum ..... D7/607  
D624,366 S 9/2010 Sherron  
2007/0125791 A1 \* 6/2007 Donnelly et al. .... 220/737  
2009/0294463 A1 \* 12/2009 Stack ..... 220/739

\* cited by examiner

*Primary Examiner* — Terry Wallace

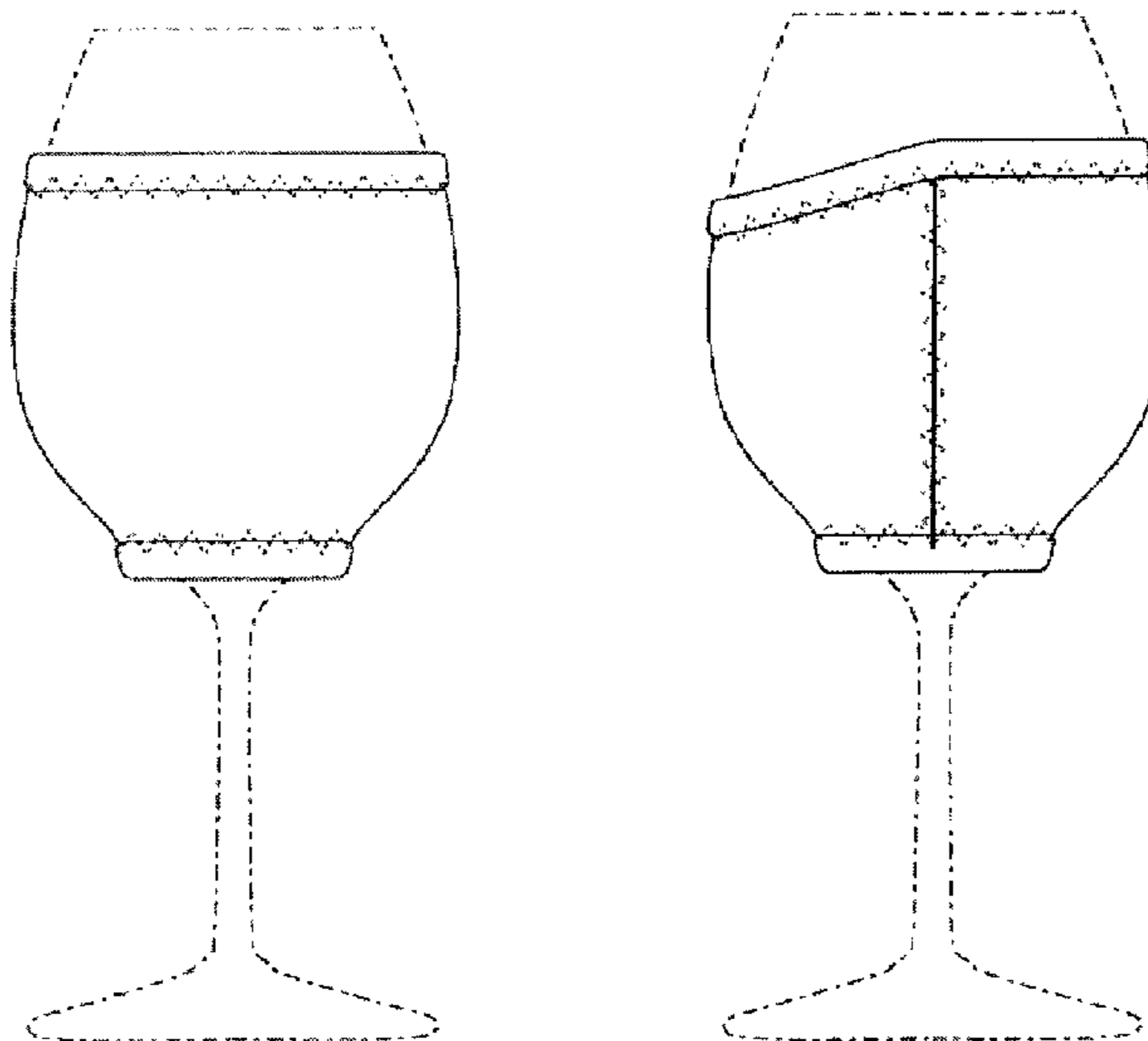
(74) *Attorney, Agent, or Firm* — Olive & Olive, P.A.;  
Rebecca E. Crandall

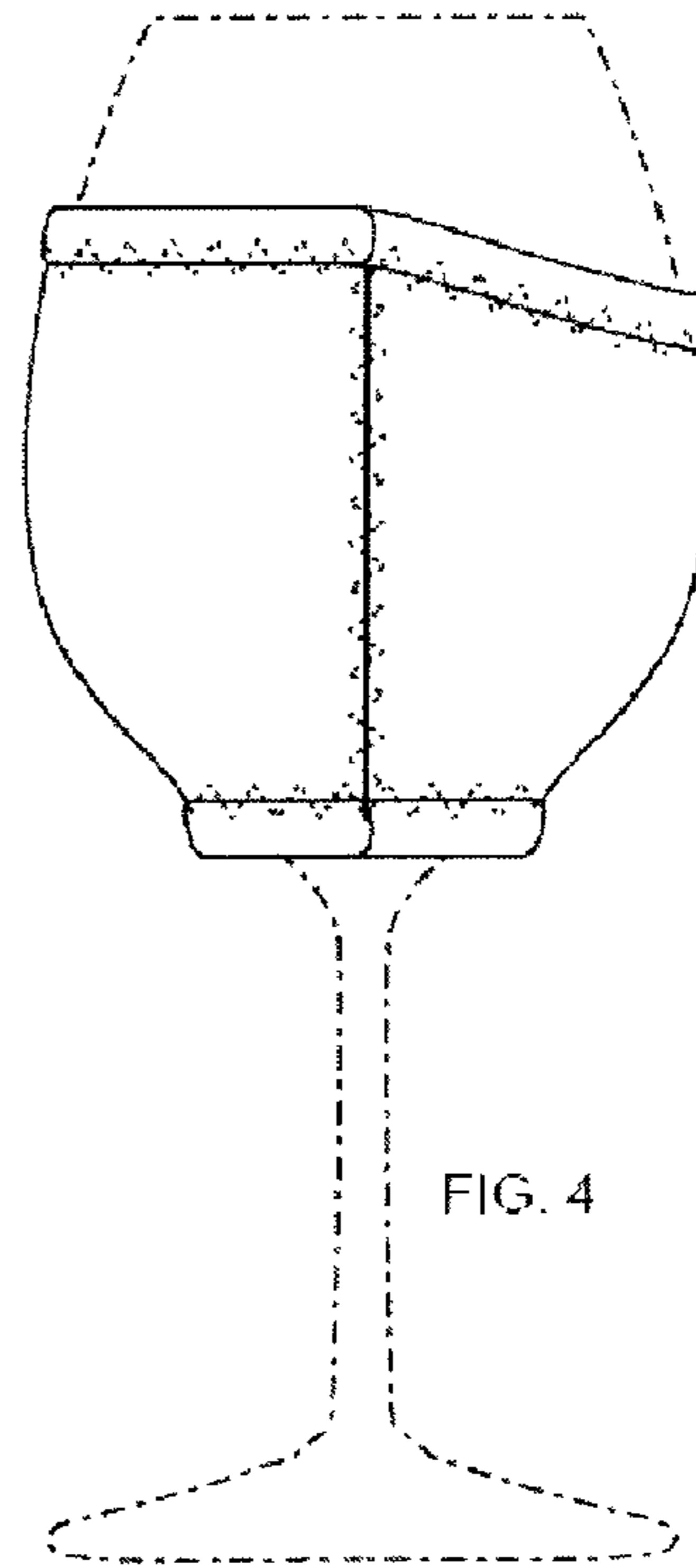
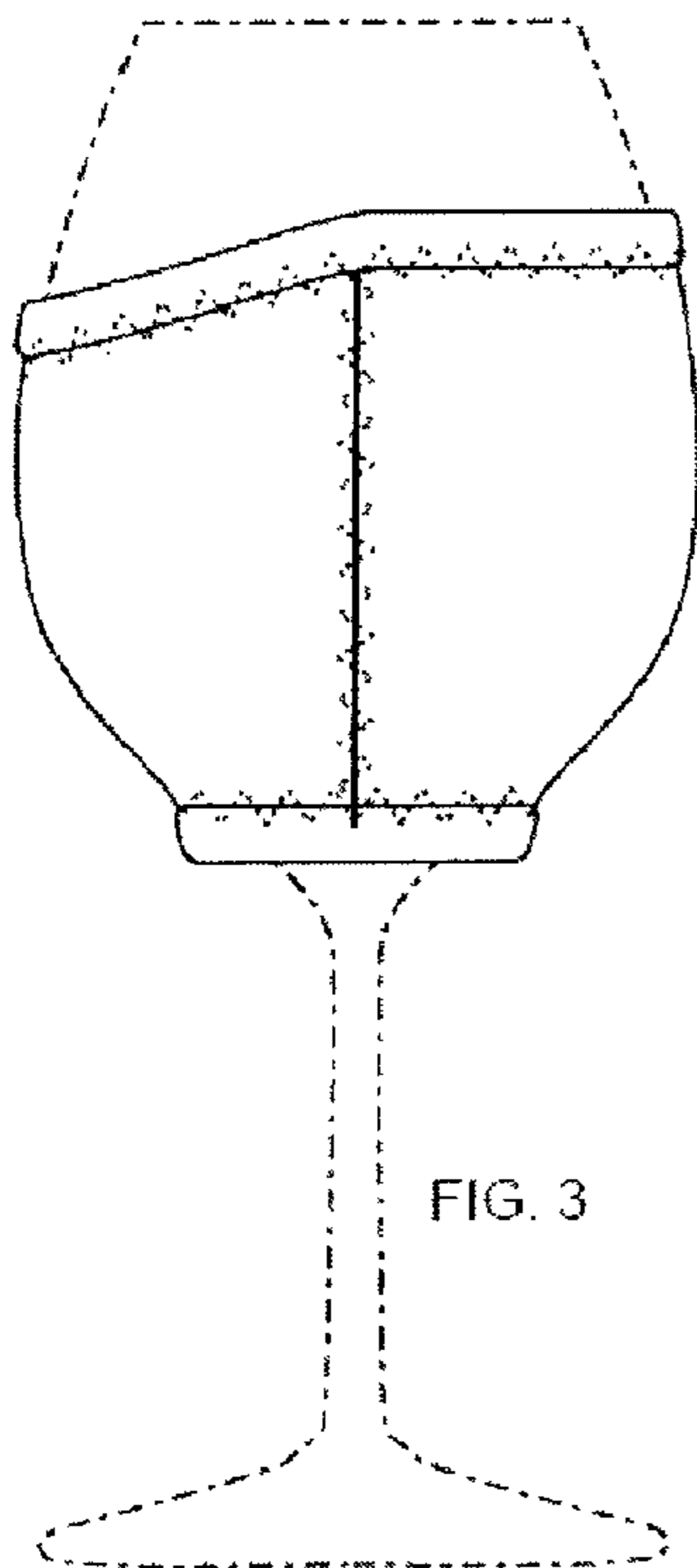
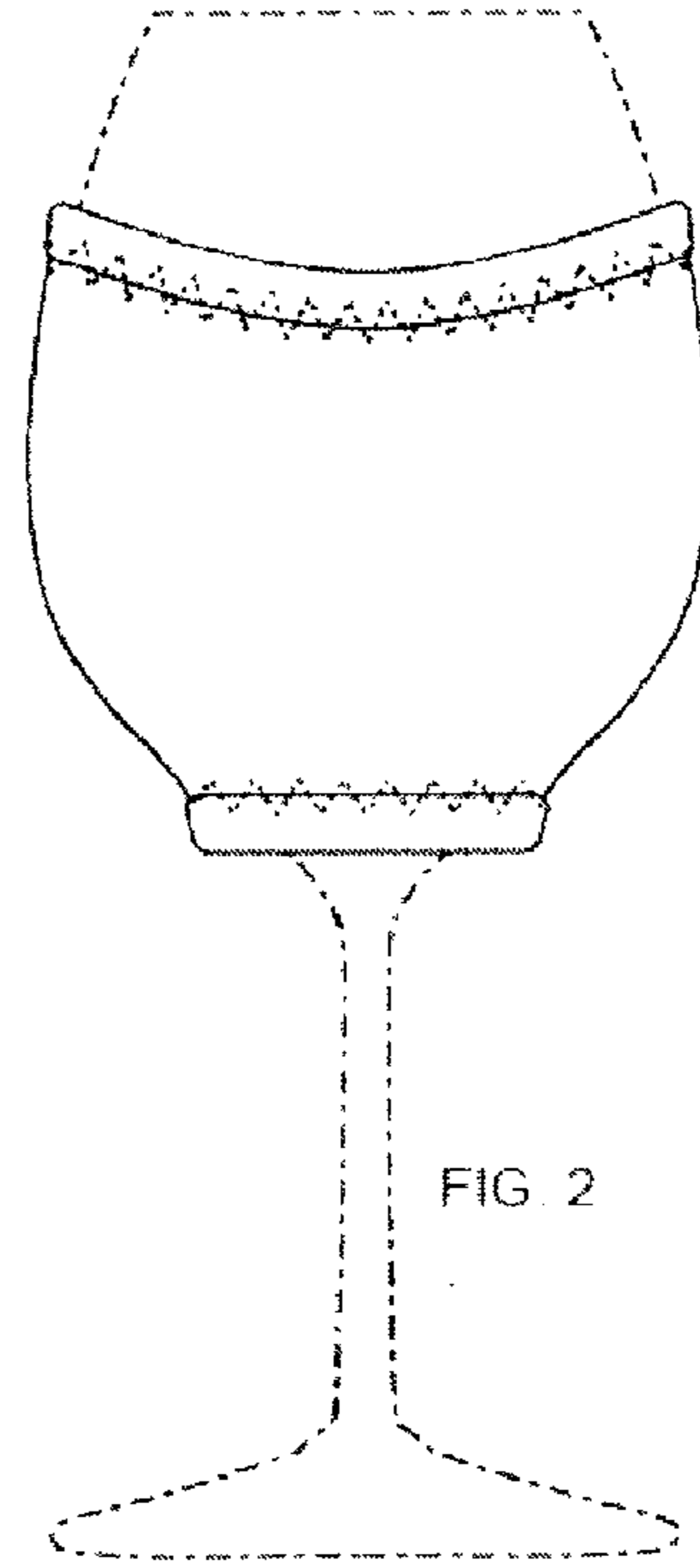
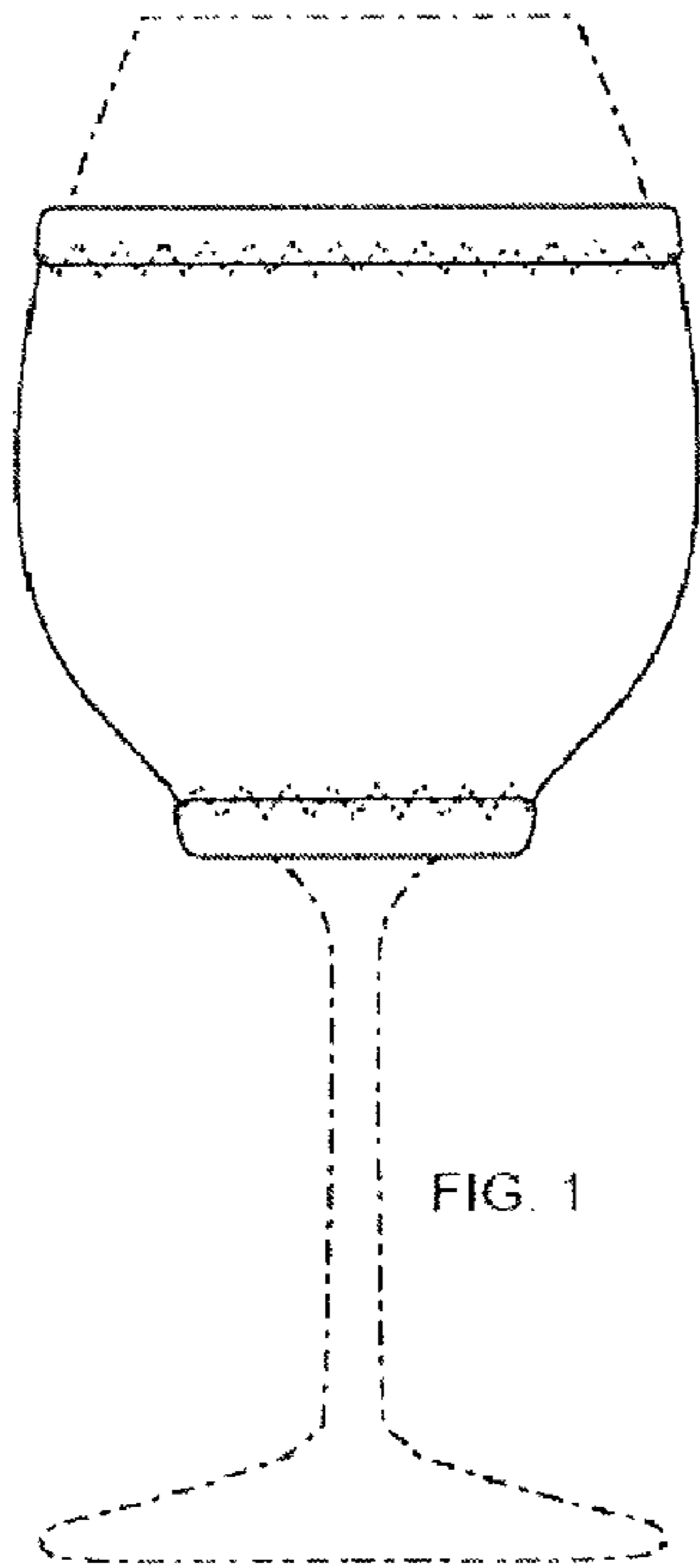
(57) **CLAIM**

The ornamental design for a wine glass insulator, as shown and described.

FIG. 1 is a front view of a first embodiment of the inventive wine glass insulator, with dashed lines illustrating an environment in which the insulator may be used and unclaimed subject matter, namely a wine glass and stitching.  
FIG. 2 is a rear view of the wine glass insulator as disclosed in FIG. 1.  
FIG. 3 is a left view of the wine glass insulator as disclosed in FIG. 1.  
FIG. 4 is a right view of the wine glass insulator as disclosed in FIG. 1.  
FIG. 5 is a top view of the wine glass insulator as disclosed in FIG. 1.  
FIG. 6 is a bottom view of the wine glass insulator as disclosed in FIG. 1.  
FIG. 7 is a front view of the wine glass insulator as disclosed in FIG. 1 shown flat.  
FIG. 8 is a back view of the wine glass insulator as disclosed in FIG. 1 shown flat.  
FIG. 9 is a front view of a second embodiment of the inventive wine glass insulator with dashed lines indicating an environment in which the insulator may be used, namely a wine glass.  
FIG. 10 is a rear view of the wine glass insulator as disclosed in FIG. 9.  
FIG. 11 is a left view of the wine glass insulator as disclosed in FIG. 9.  
FIG. 12 is a right view of the wine glass insulator as disclosed in FIG. 9.  
FIG. 13 is a top view of the wine glass insulator as disclosed in FIG. 9.  
FIG. 14 is a bottom view of the wine glass insulator as disclosed in FIG. 9.  
FIG. 15 is a front view of the wine glass insulator as disclosed in FIG. 9 shown flat; and,  
FIG. 16 is a back view of the wine glass insulator as disclosed in FIG. 9 shown flat.  
The dashed lines in the drawings are for illustrative purposes only and form no part of the claimed design.

**1 Claim, 4 Drawing Sheets**





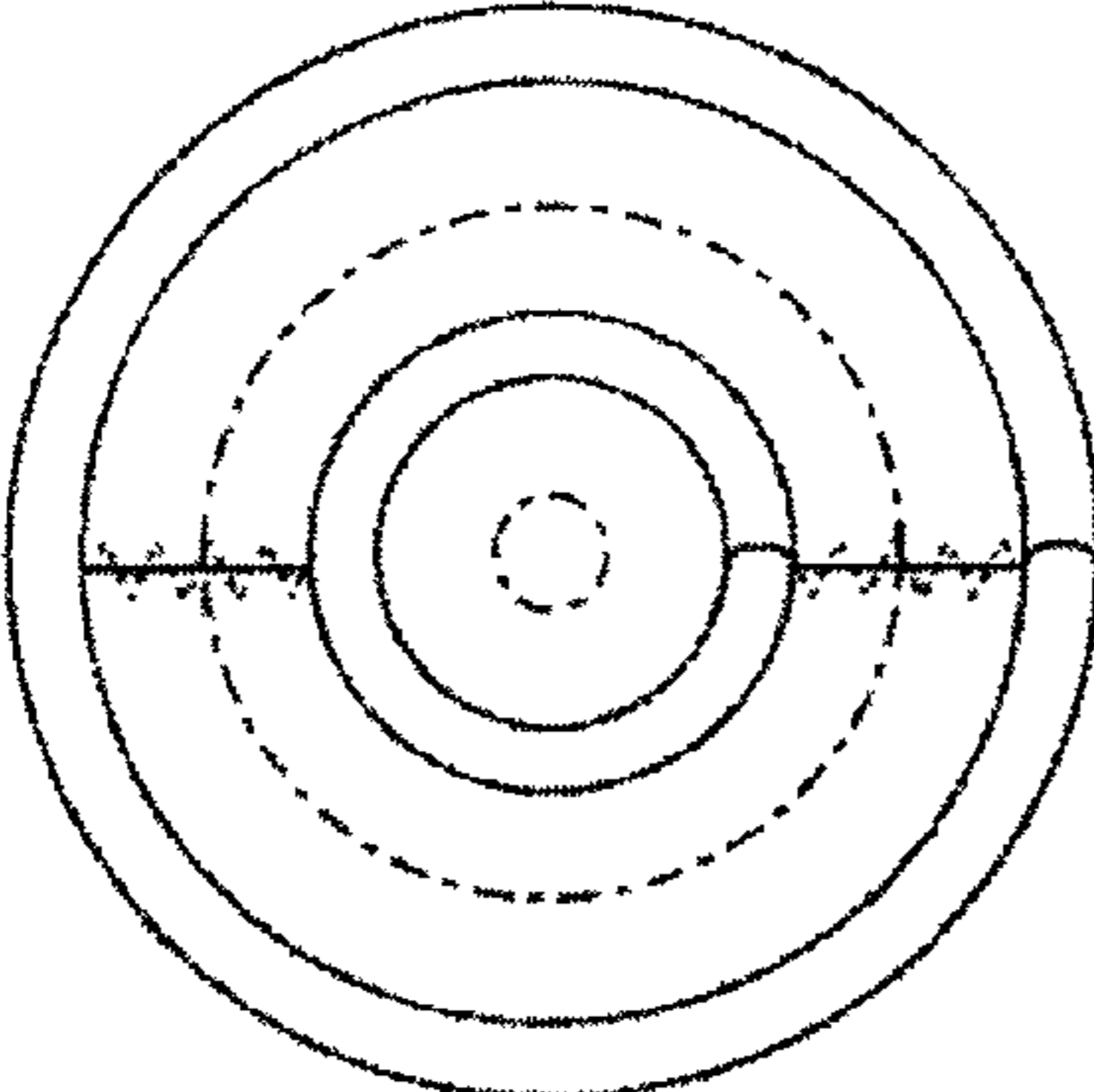


FIG. 5

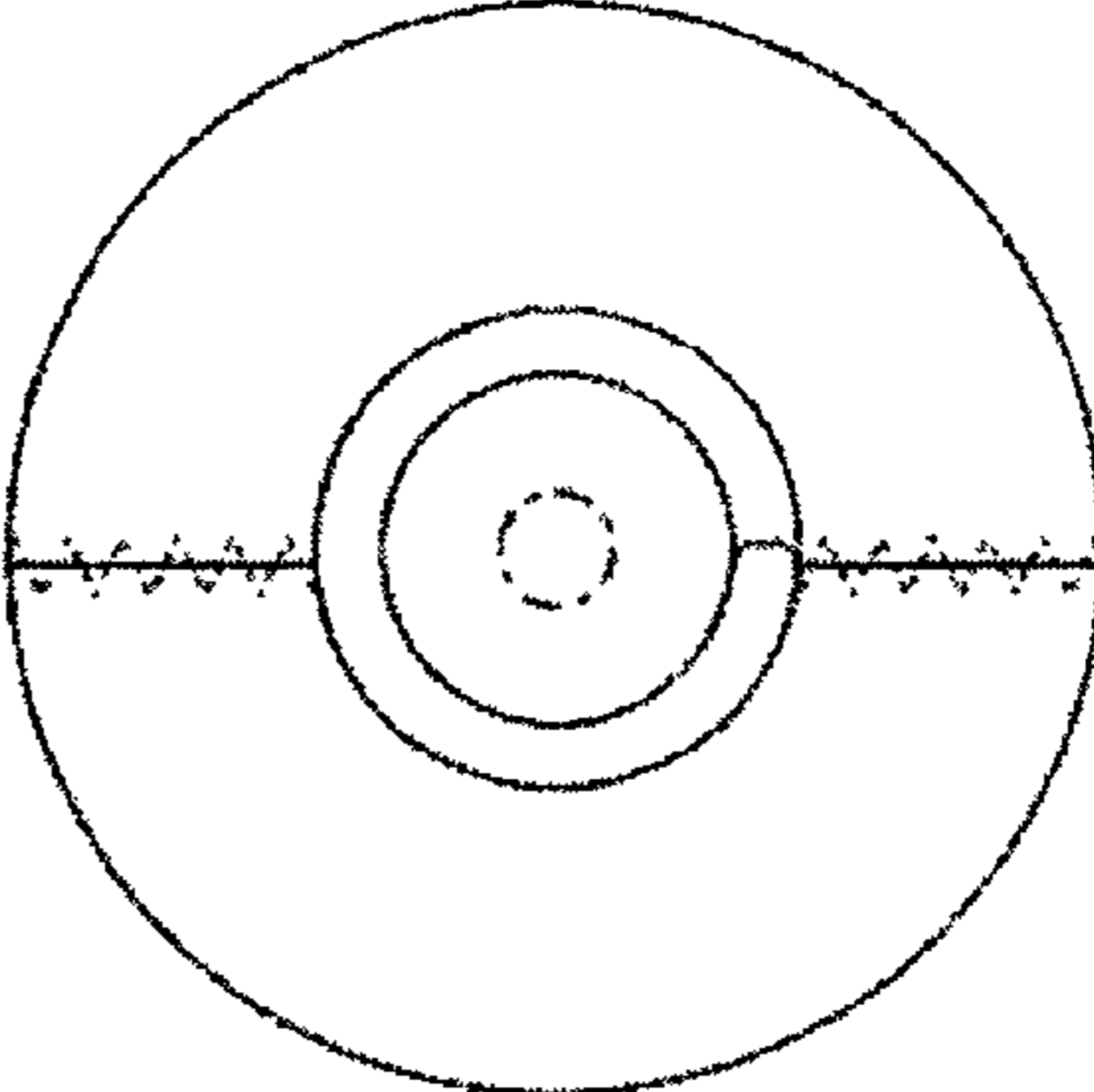


FIG. 6

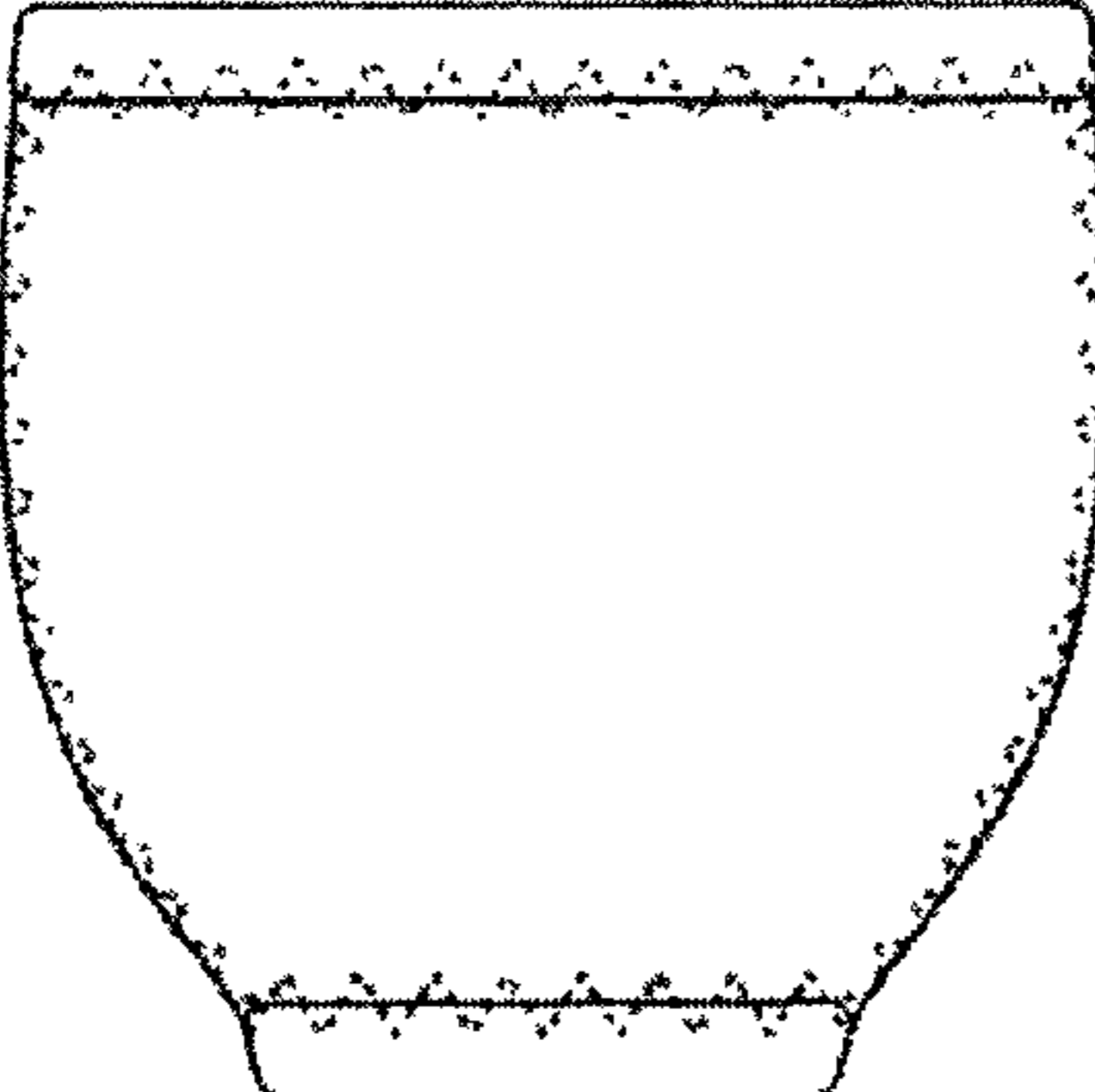


FIG. 7

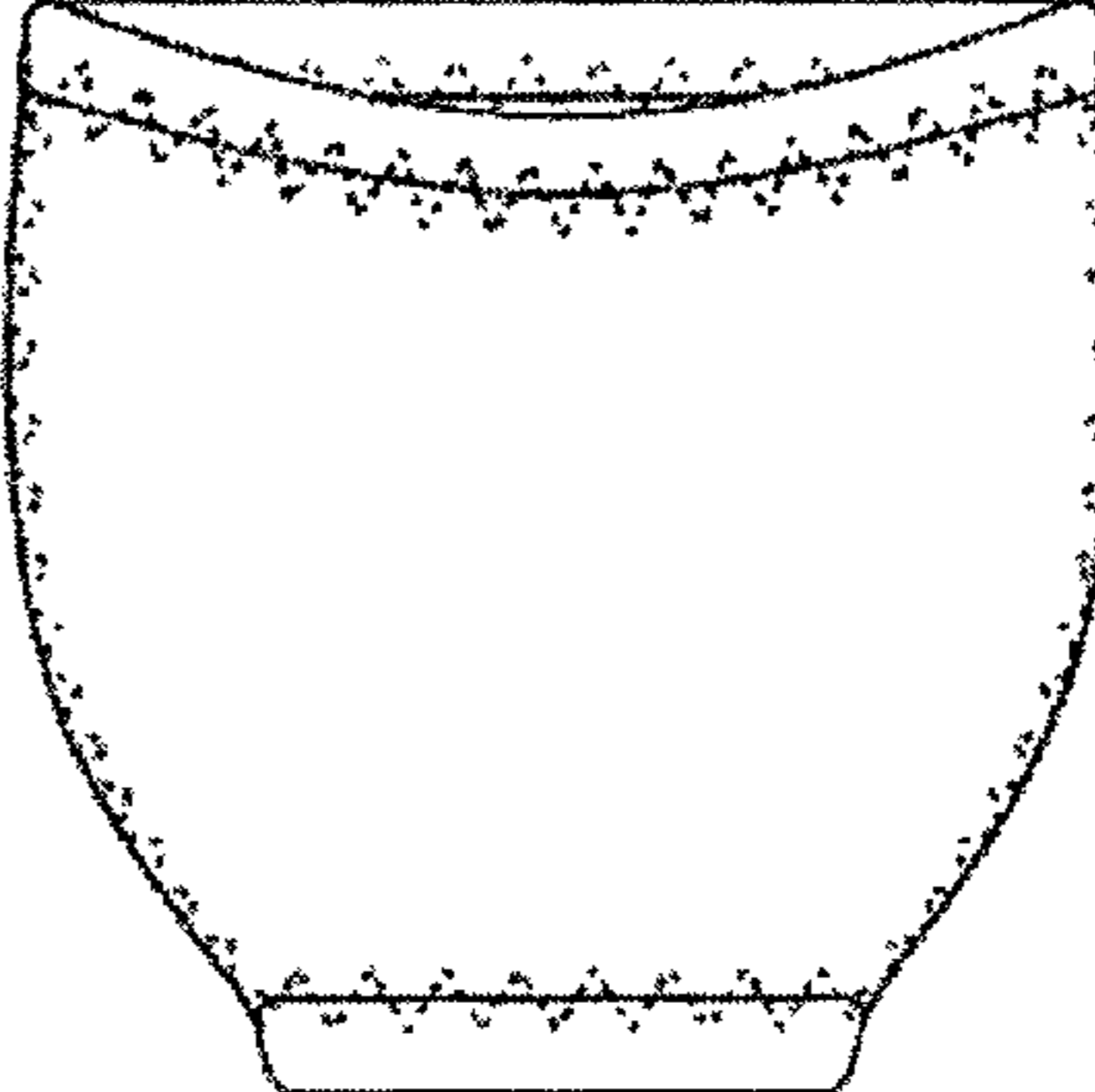


FIG. 8

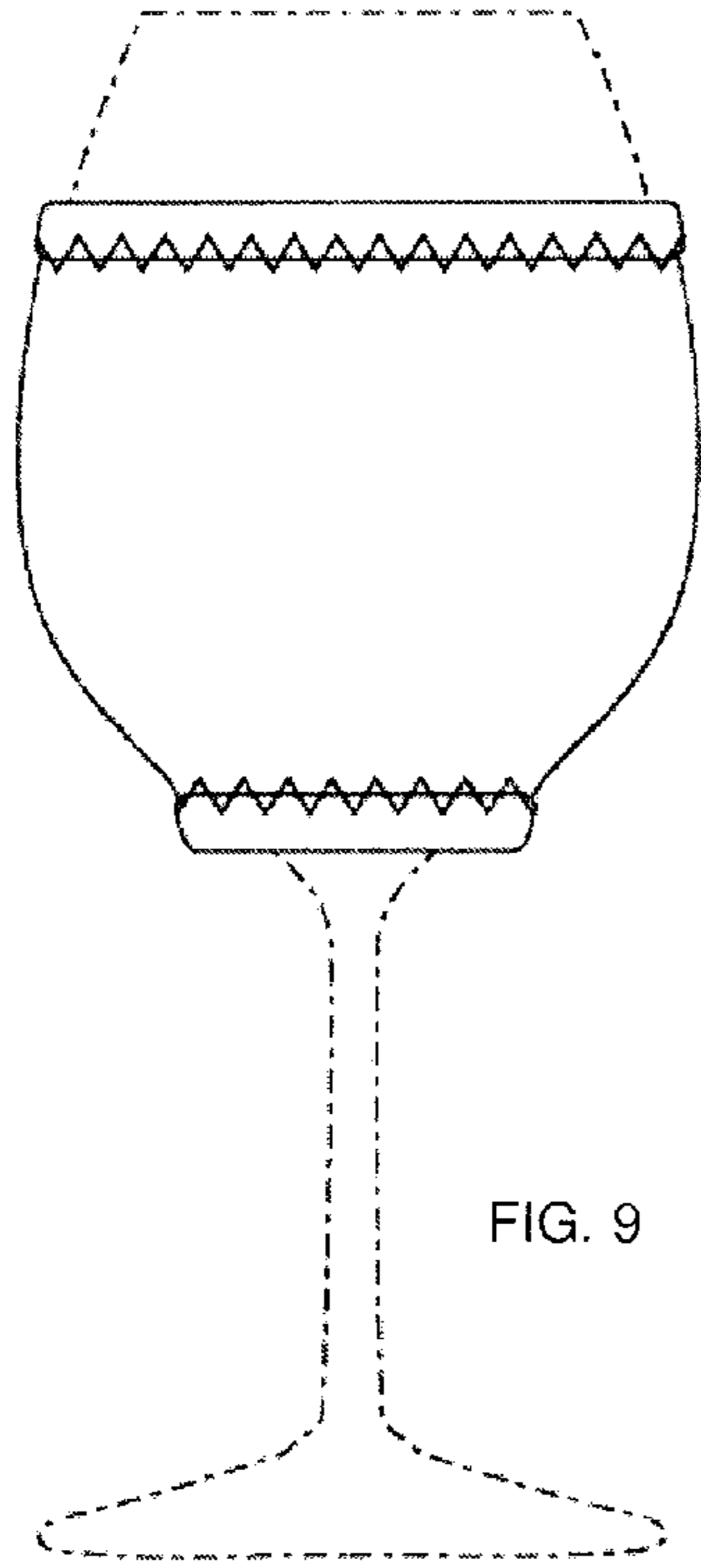


FIG. 9

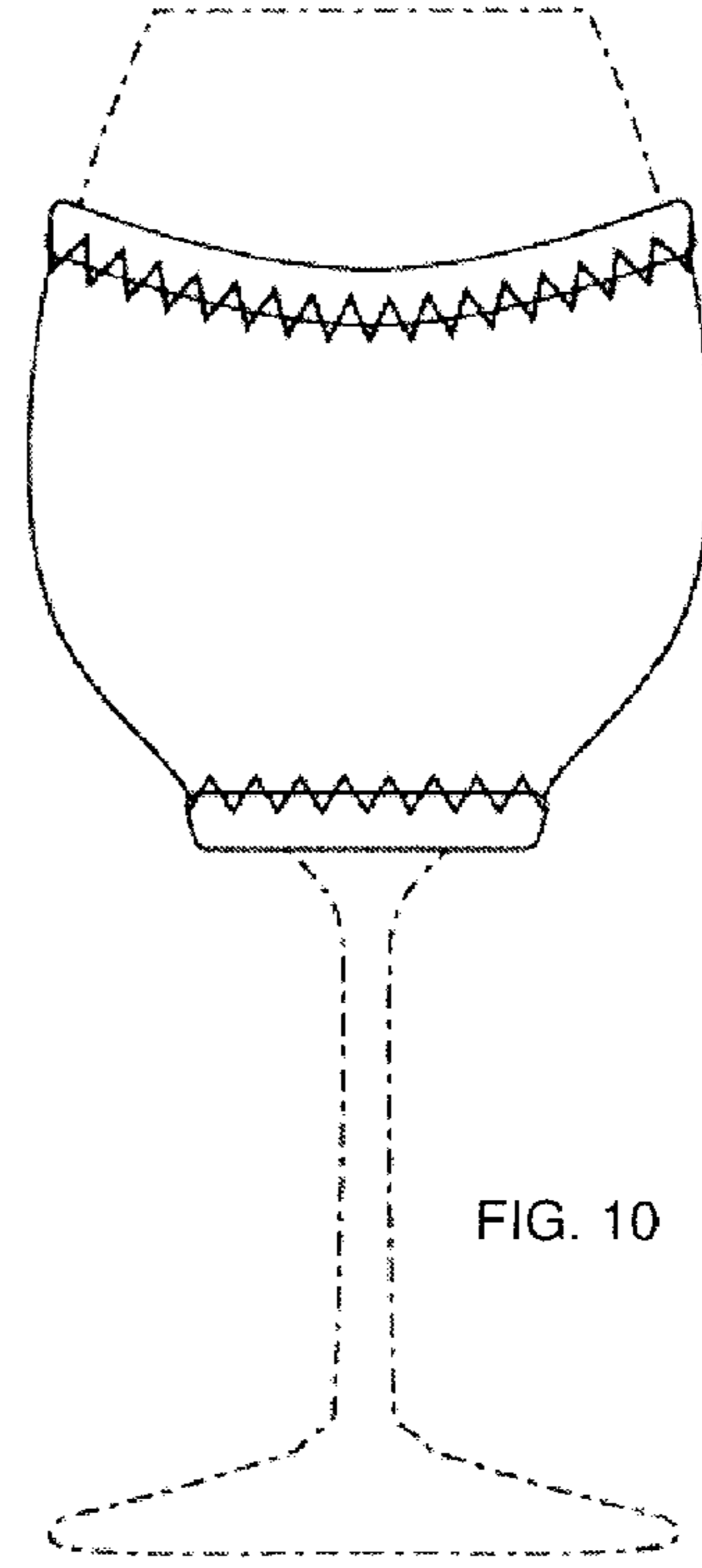


FIG. 10

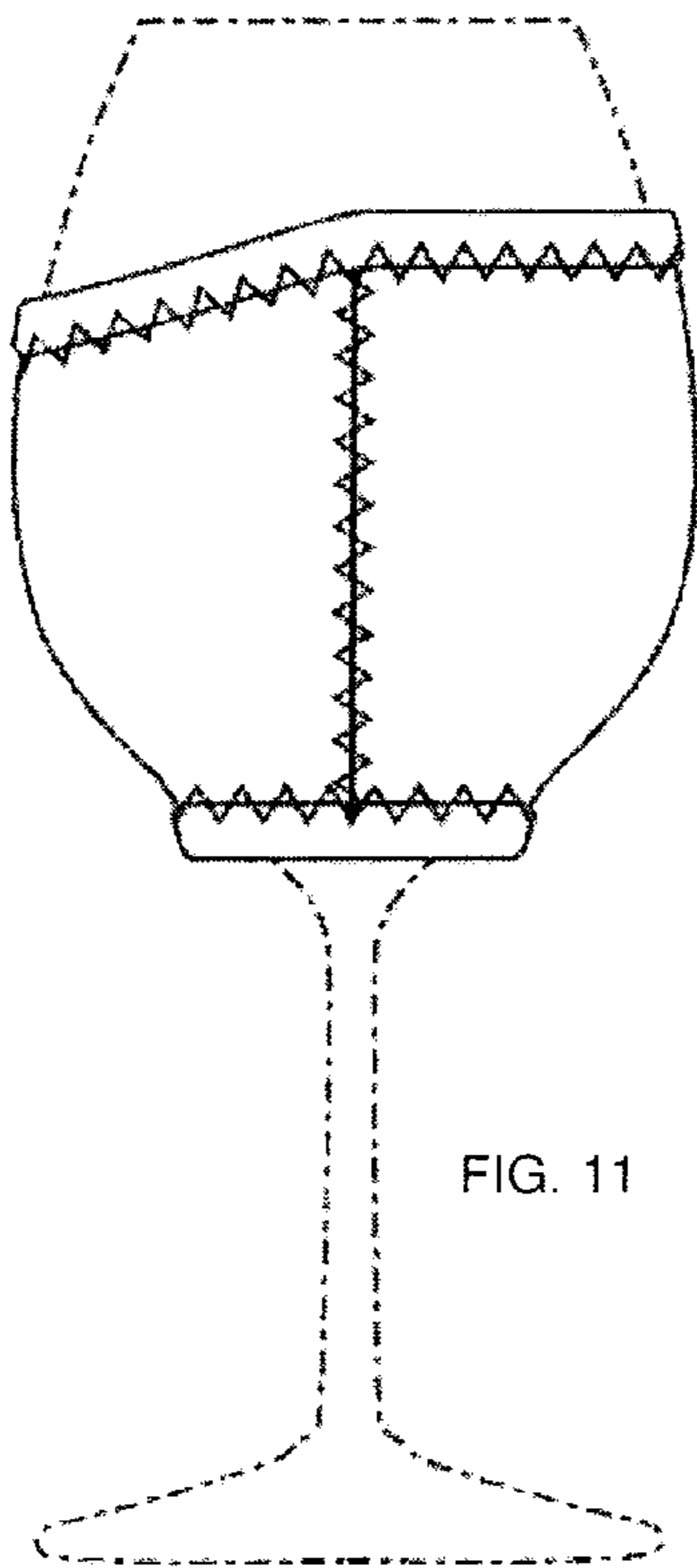


FIG. 11

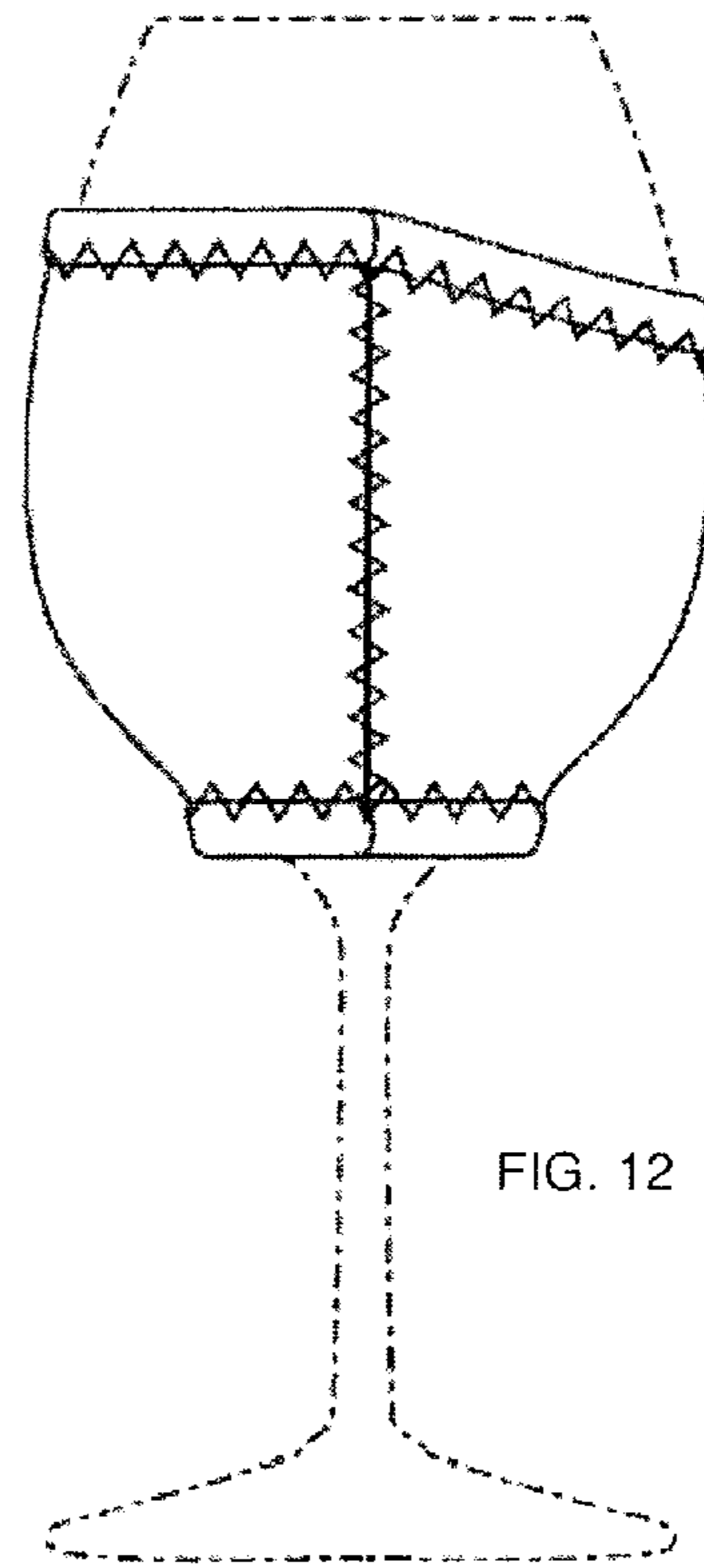


FIG. 12

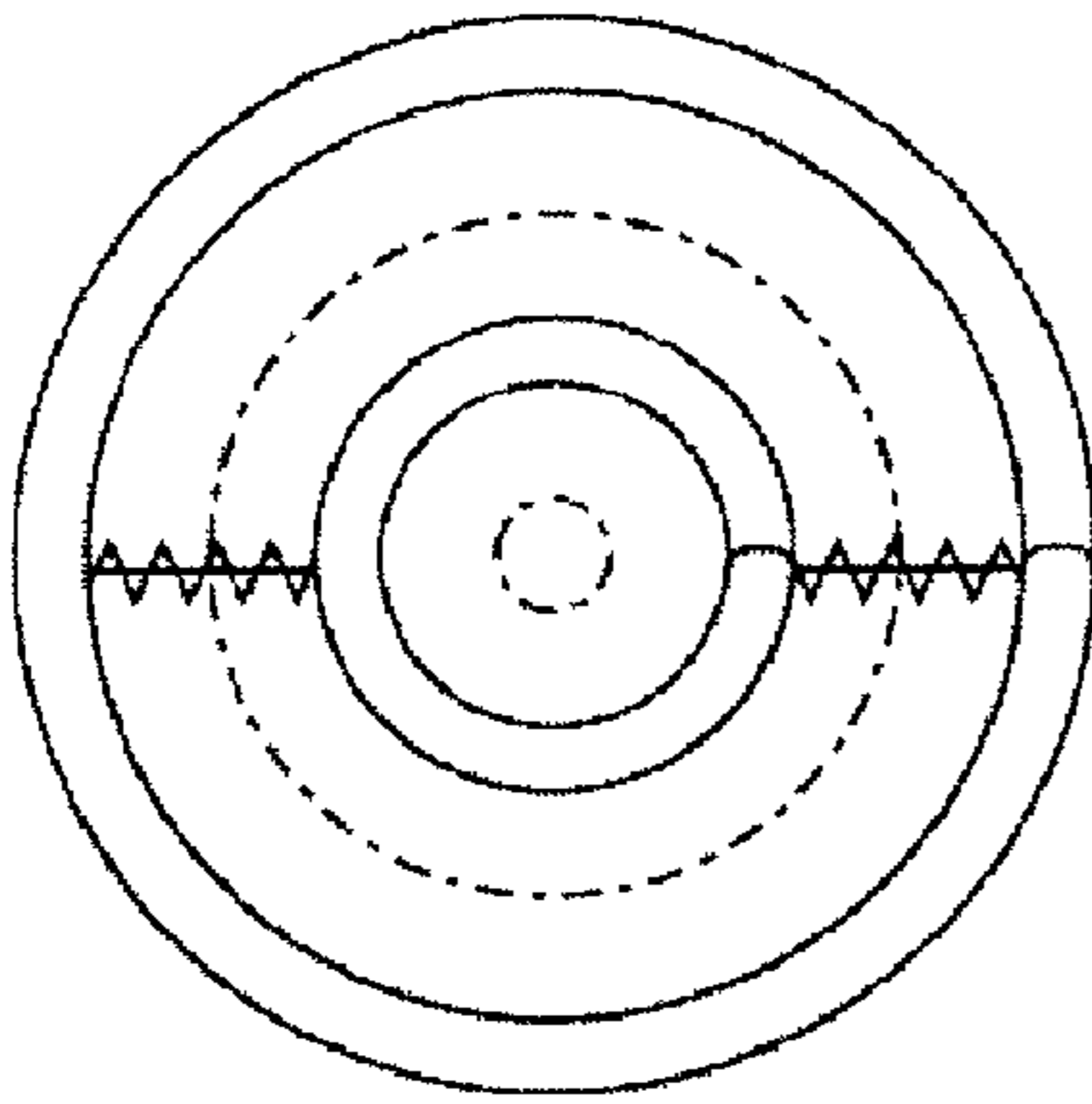


FIG. 13

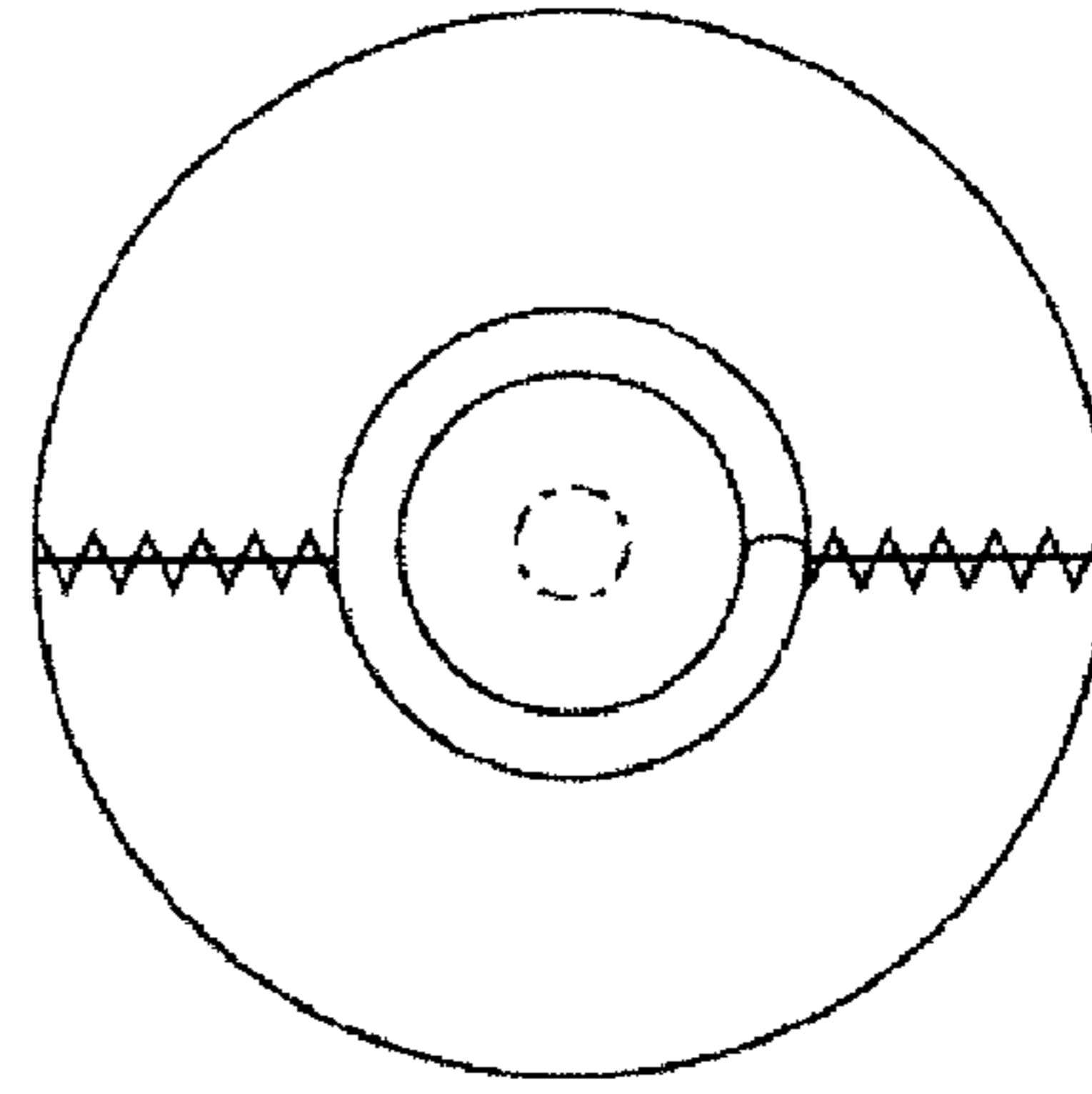


FIG. 14

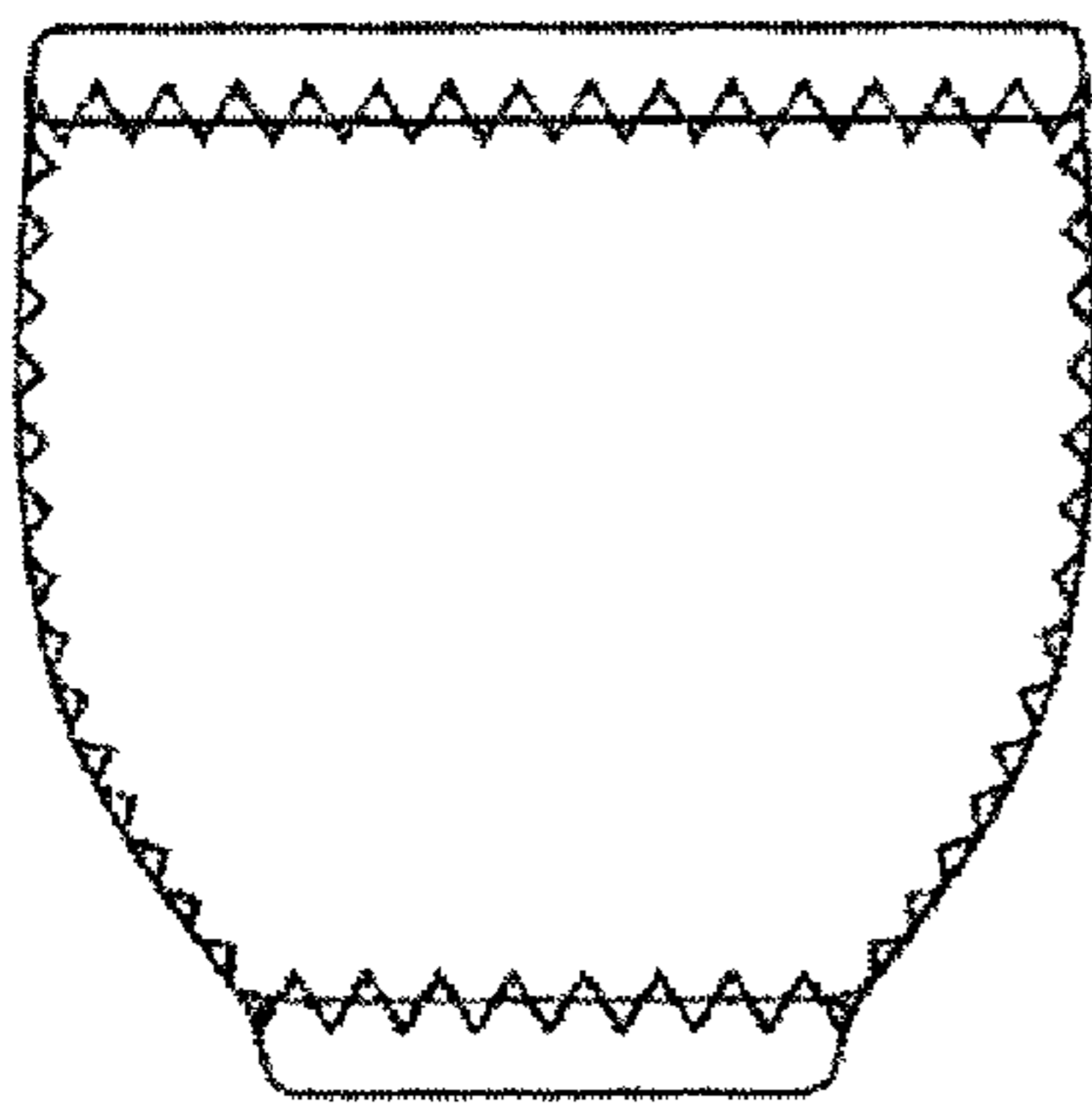


FIG. 15

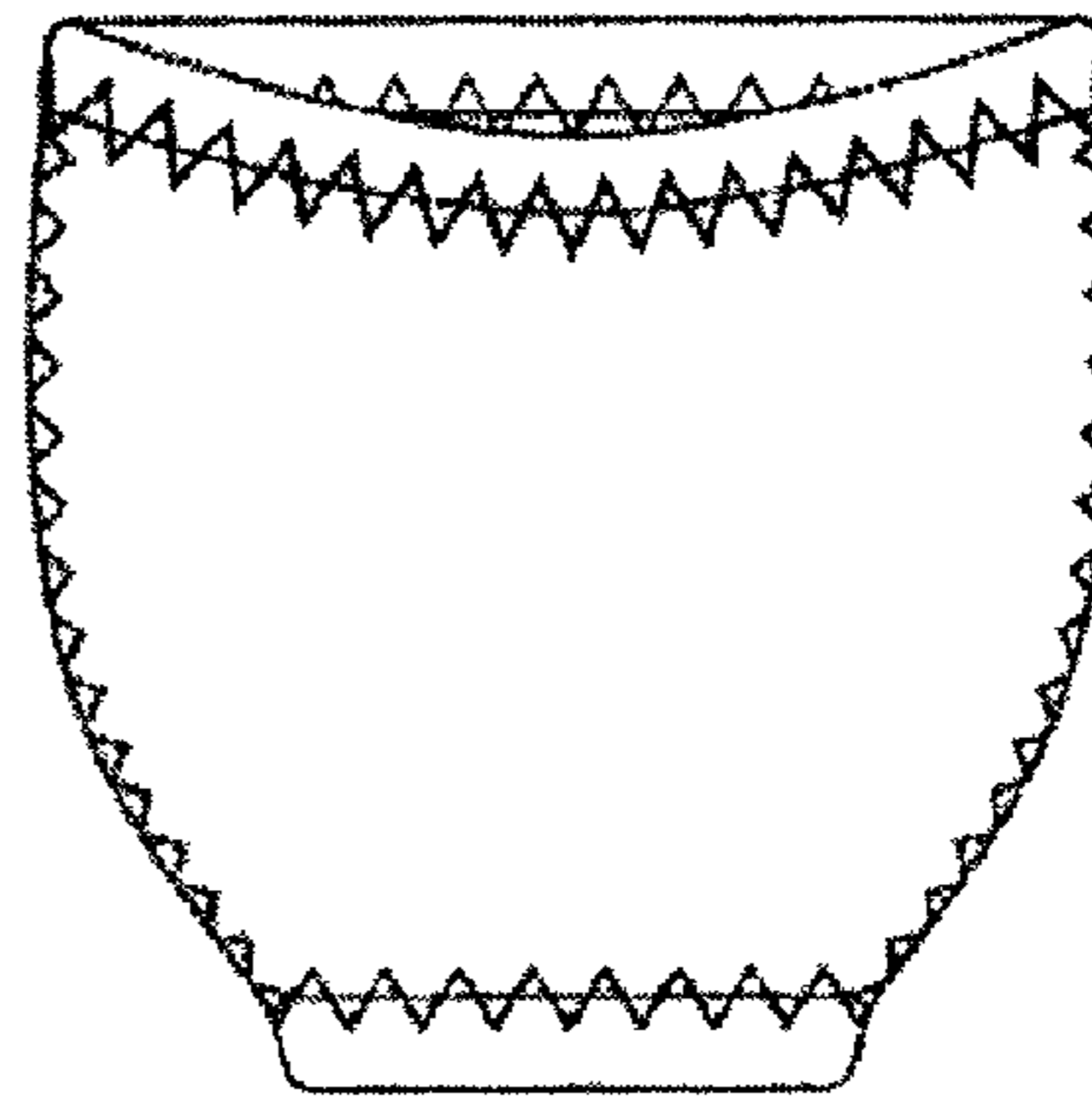


FIG. 16