



US00D640899S

(12) **United States Design Patent**
Shing

(10) **Patent No.:** **US D640,899 S**

(45) **Date of Patent:** **** Jul. 5, 2011**

- (54) **DOUBLE WALLED BOWL**
- (75) Inventor: **Kwok Sui Shing**, Kwun Tong (HK)
- (73) Assignee: **The Vollrath Company, L.L.C.**,
Sheboygan, WI (US)
- (**) Term: **14 Years**
- (21) Appl. No.: **29/364,949**
- (22) Filed: **Jun. 30, 2010**
- (51) **LOC (9) Cl.** **07-01**
- (52) **U.S. Cl.** **D7/587; D7/387**
- (58) **Field of Classification Search** D7/500,
D7/501, 584, 586, 587, 565, 548, 538, 505,
D7/527, 531, 543, 550.1, 554.3, 316, 545,
D7/667, 360, 387; D26/134; 210/232; 220/23.83,
220/574, 8, 573.1; D30/127; D9/717, 743,
D9/745, 744; 206/514, 518; 99/340, 413
See application file for complete search history.

- D103,666 S 3/1937 Brogden
- D111,229 S * 9/1938 Spence D7/531
- D144,905 S 6/1946 Cameron
- D154,216 S * 6/1949 Reifsnyder D7/562
- D168,218 S 11/1952 Falk
- D201,376 S 6/1965 Schroeder
- D204,212 S 3/1966 Davis
- D204,781 S 5/1966 Wanderer
- D209,307 S 11/1967 Schilling
- D209,311 S 11/1967 Schilling
- D214,678 S 7/1969 Weeber
- D219,496 S 12/1970 Lebedeff
- D219,748 S 1/1971 Bixler
- D220,846 S 6/1971 Mascetti
- 3,792,809 A 2/1974 Schneider et al.
- D230,552 S 3/1974 Bengert
- D234,448 S 3/1975 Achenbach

(Continued)

Primary Examiner — Cynthia Underwood
(74) *Attorney, Agent, or Firm* — Foley & Lardner LLP

(57) **CLAIM**
I claim the ornamental design for a double walled bowl, as shown and described.

(56) **References Cited**

U.S. PATENT DOCUMENTS

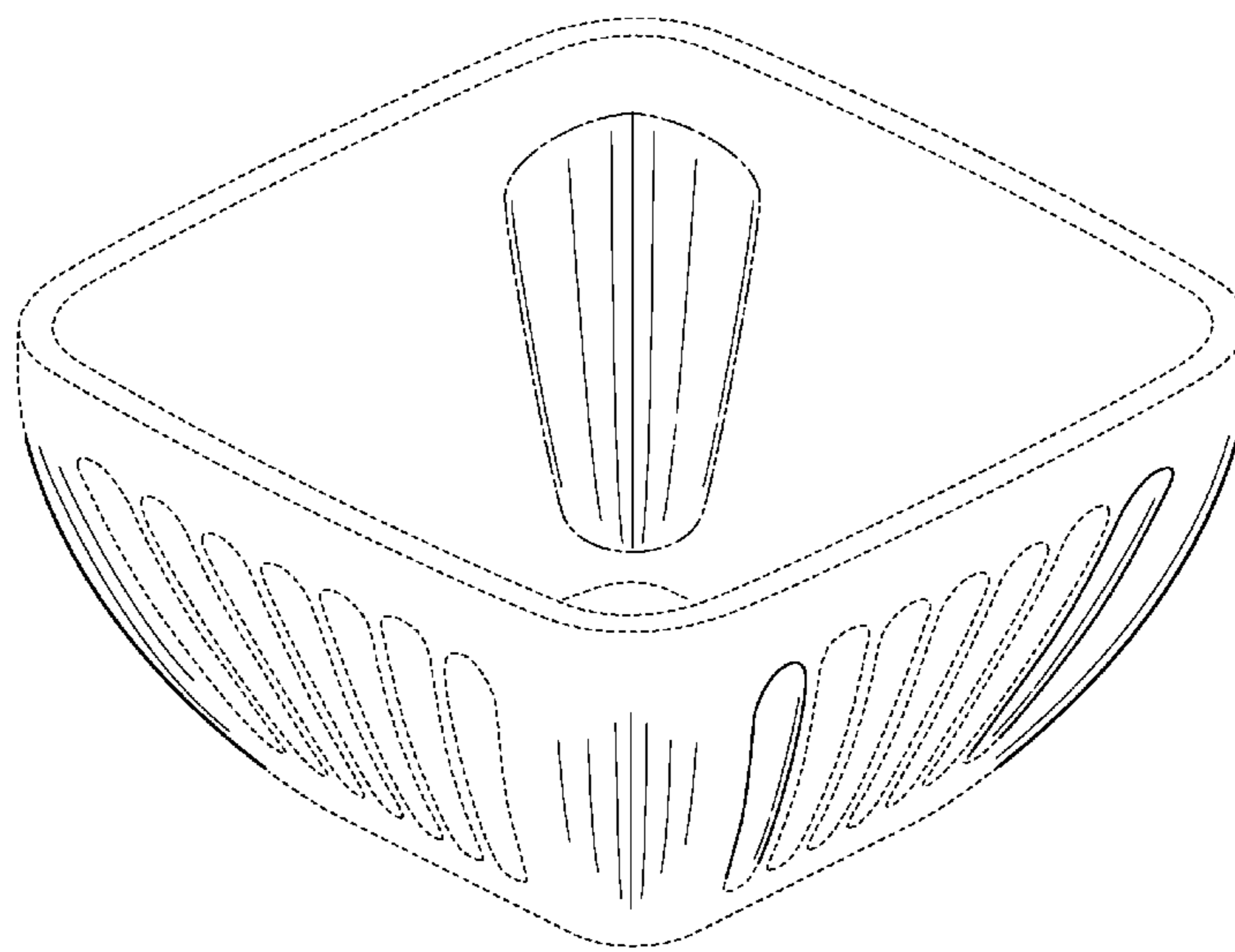
- 184,814 A 11/1876 Adam
- D15,753 S * 1/1885 Knowles et al. D7/565
- D37,424 S * 5/1905 Booth D26/134
- D43,852 S * 4/1913 Sanford D7/565
- 1,093,648 A 4/1914 Potter
- D48,245 S * 12/1915 Ebeling D7/565
- D50,194 S 1/1917 Haley
- D50,398 S 2/1917 Miller
- D50,401 S 2/1917 Miller
- D64,850 S * 6/1924 Heisey D7/565
- D66,853 S * 3/1925 Heisey D7/562
- 1,607,864 A 11/1926 Butler
- D75,939 S 7/1928 Tennhardt
- D81,921 S 9/1930 Dwyer
- D94,207 S 1/1935 Guild
- D94,245 S 1/1935 Sebring, Jr. et al.
- D95,504 S 5/1935 Guild
- 2,050,206 A 8/1936 Chaplin
- D103,390 S 3/1937 Connor

DESCRIPTION

FIG. 1 is a perspective view of the claimed design;
FIG. 2 is a top view thereof;
FIG. 3 is a bottom view thereof;
FIG. 4 is a right side view, the left side view is identical to the right side view;
FIG. 5 is a front view thereof, the rear view is identical to the front view; and,
FIG. 6 is a section view thereof taken along line 11-11 in FIG. 3.

The ornamental design which is claimed is shown in solid lines in the drawings. The broken lines and non-shaded areas in the drawings are for illustrative purposes only and form no part of the claimed design. The broken lines which define the bounds of the claimed design form no part thereof.

1 Claim, 5 Drawing Sheets



US D640,899 S

Page 2

U.S. PATENT DOCUMENTS

D248,269 S	6/1978	Schreckengost		5,934,472 A	8/1999	Ramirez et al.
D253,331 S	11/1979	Olschewski		D424,879 S	5/2000	Biber
D254,714 S	4/1980	Mascia et al.		D428,770 S	8/2000	Wellner
D256,756 S	9/1980	Painter et al.		D428,771 S	8/2000	Novi
D262,681 S	1/1982	Dawson		D432,362 S	10/2000	Fait
D264,791 S	6/1982	Conti		D432,868 S	10/2000	Tan
D264,792 S *	6/1982	Conti	D7/584	D434,946 S	12/2000	Jarvis
D279,445 S	7/1985	Jagger		D438,794 S	3/2001	Miles et al.
D288,049 S *	2/1987	Unger	D7/548	D441,257 S	5/2001	Indekeu
D288,515 S	3/1987	Rimmeir		D442,019 S	5/2001	Wyche
D289,245 S	4/1987	Ritman		D442,425 S	5/2001	Wyche
D289,246 S	4/1987	Ritman		D443,476 S	6/2001	Miura
D289,717 S	5/1987	Ritman		D456,211 S	4/2002	Price
D291,757 S	9/1987	Ritman		D457,389 S	5/2002	Snell
D299,106 S	12/1988	Pomroy		D458,807 S	6/2002	Trazzi
D315,658 S	3/1991	Scherer		D459,946 S	7/2002	Willat
D316,686 S	5/1991	Tardif		D460,663 S *	7/2002	Seager
D318,596 S	7/1991	Watts		D461,431 S	8/2002	Ciocchini
D321,815 S	11/1991	Bowdler		D471,404 S	3/2003	Gady
D325,112 S	4/1992	Thompson		D471,406 S	3/2003	Wellner
D327,236 S	6/1992	Weder		D478,476 S	8/2003	Wellner
5,172,826 A	12/1992	Celaya		D478,477 S	8/2003	Tisdale et al.
D338,375 S *	8/1993	Andress	D7/565	D480,269 S	10/2003	Currier
D340,617 S	10/1993	Douglas		D481,262 S	10/2003	Tisdale et al.
D345,716 S	4/1994	Kwiatkowski		D482,967 S	12/2003	Bourque et al.
5,348,187 A *	9/1994	Schultz	220/752	D485,127 S	1/2004	Maier-Aichen
D360,558 S	7/1995	Appleman		D488,352 S	4/2004	Tisdale et al.
D362,155 S	9/1995	Yee		D491,019 S	6/2004	Marsden et al.
D362,594 S	9/1995	McEntee		D494,062 S	8/2004	Willis
D367,413 S	2/1996	Ballin		D494,419 S	8/2004	Armer
D371,939 S	7/1996	Rigney		D496,211 S	9/2004	Netter
D381,934 S	8/1997	Weder et al.		D511,437 S	11/2005	Brown
D385,749 S	11/1997	Ebrahim et al.		D525,532 S	7/2006	Glass
D389,061 S	1/1998	Ebrahim et al.		D539,094 S	3/2007	Wasserman
5,706,980 A	1/1998	Dickerson		D542,098 S *	5/2007	Wasserman et al.
D391,808 S	3/1998	Voegel		D544,298 S *	6/2007	Eide et al.
D406,986 S	3/1999	Lewis		D545,133 S *	6/2007	Wasserman et al.
D411,288 S	6/1999	Cuttriss		D563,729 S *	3/2008	Eide et al.

* cited by examiner

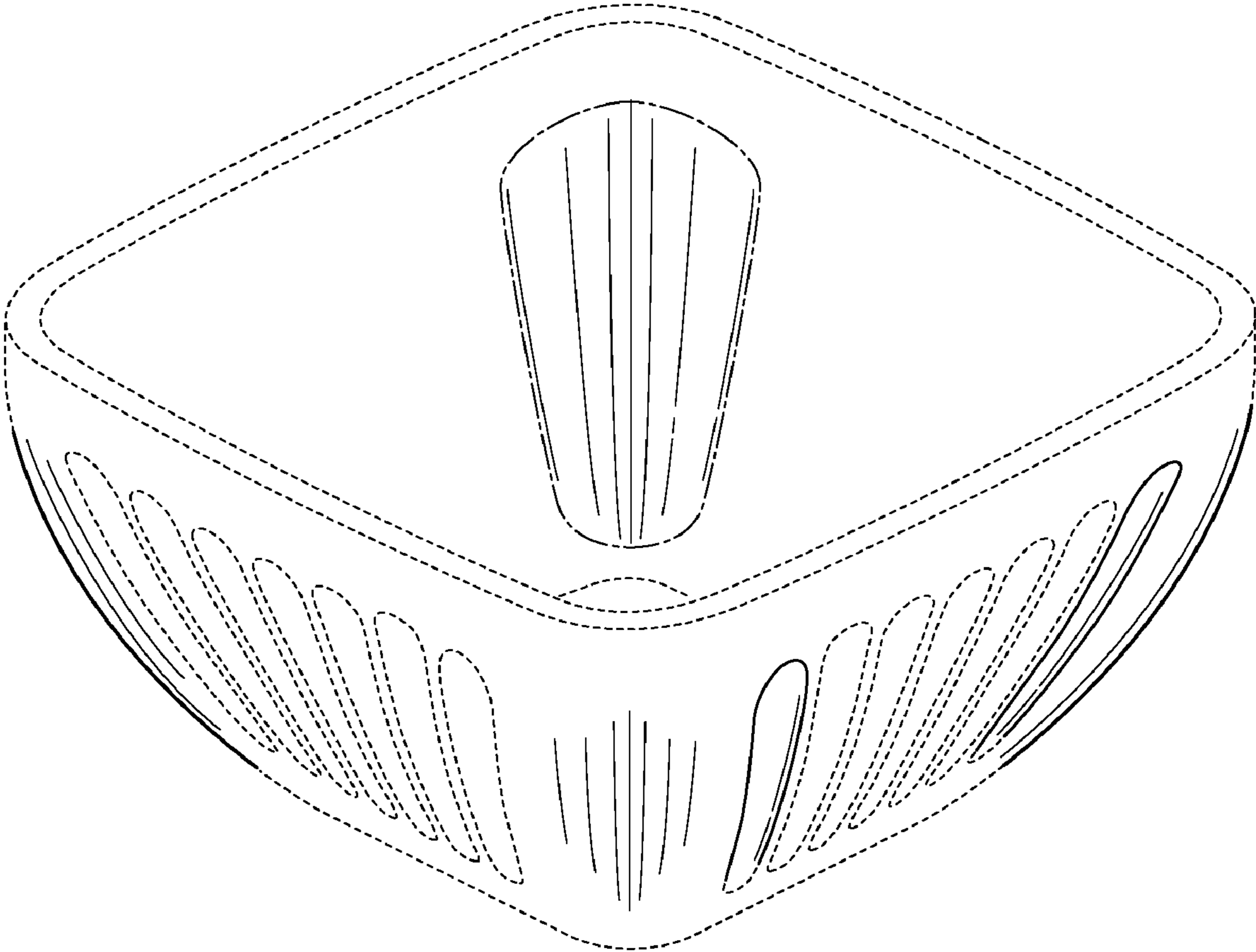


FIG. 1

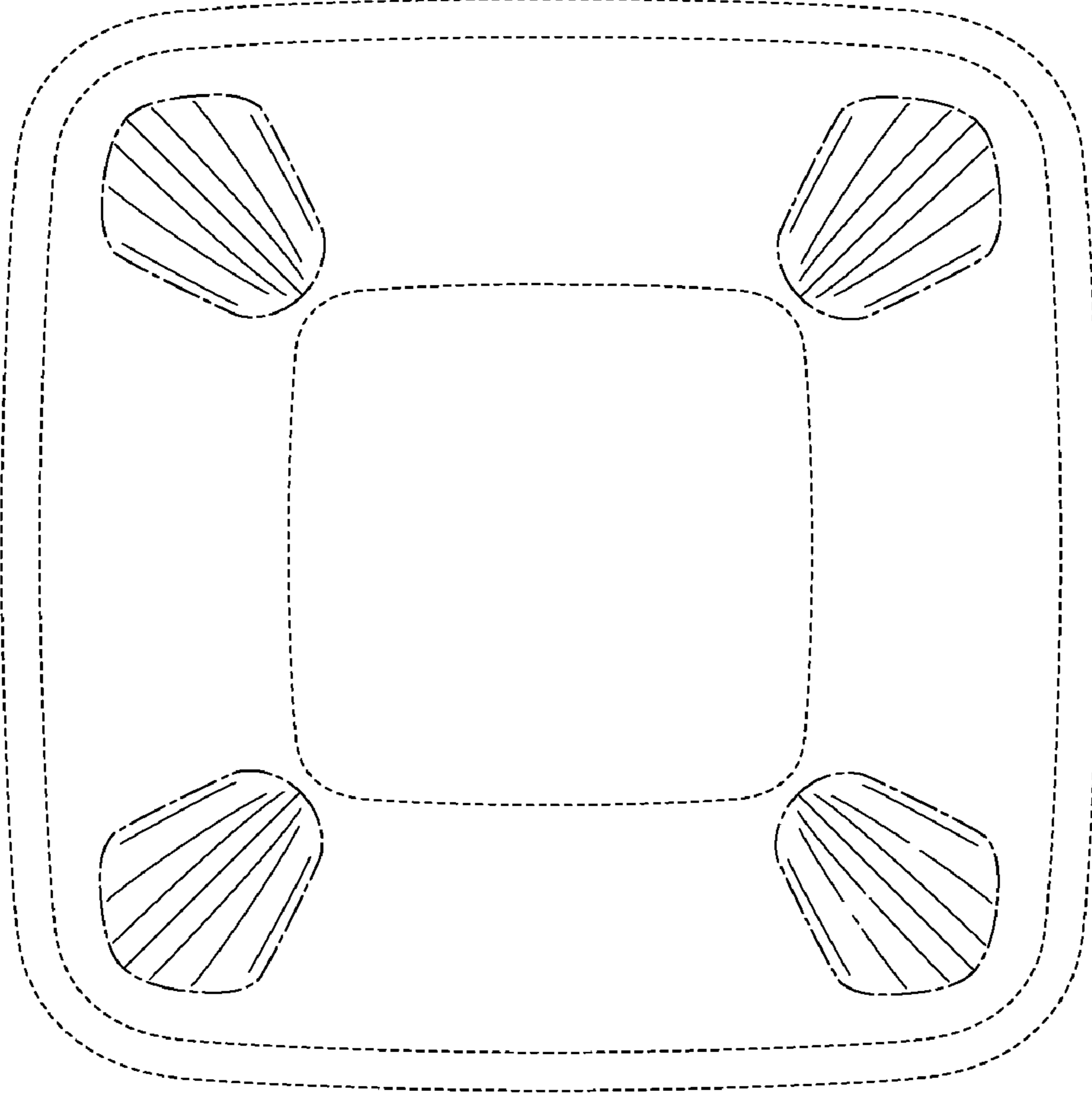


FIG. 2

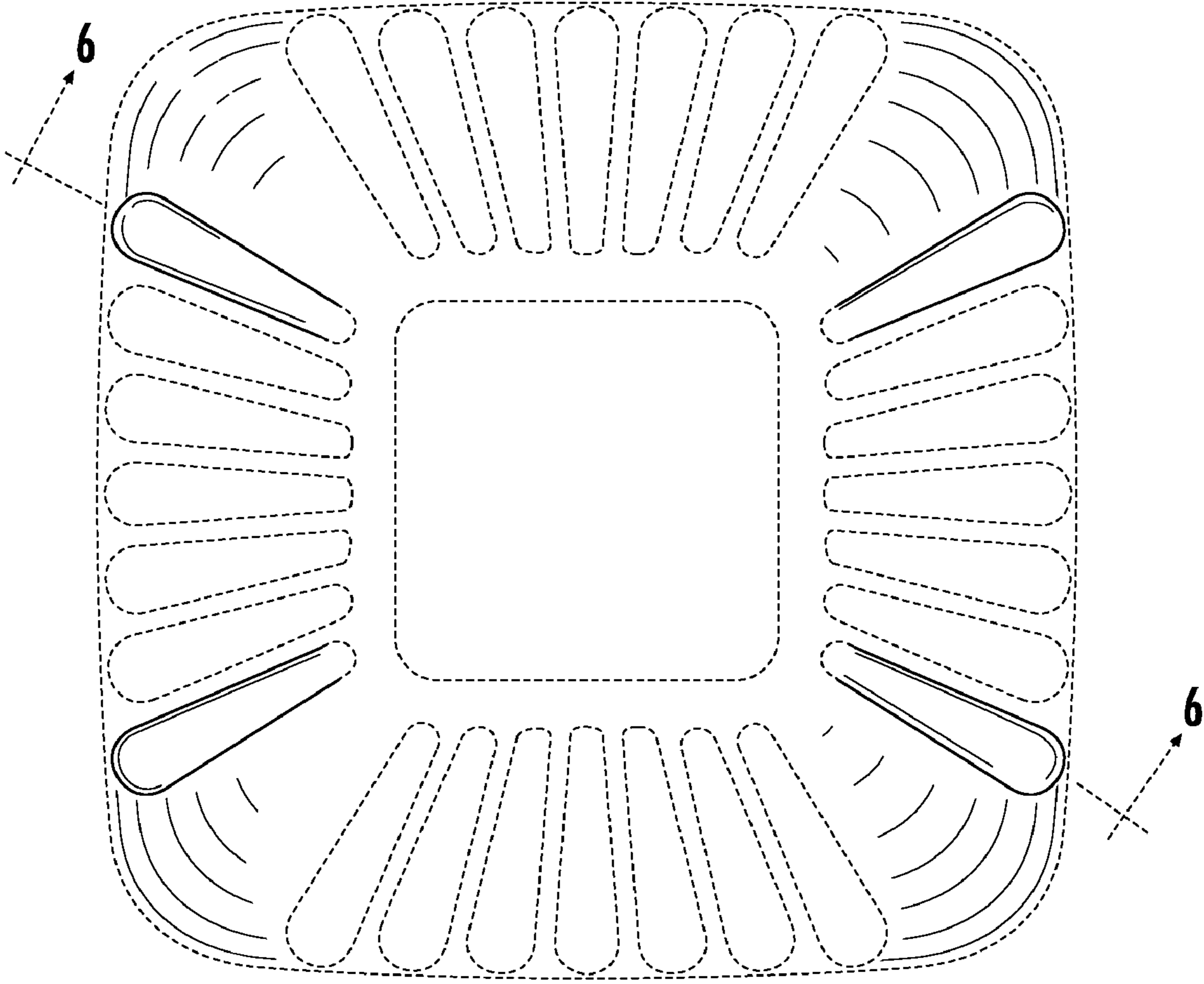


FIG. 3

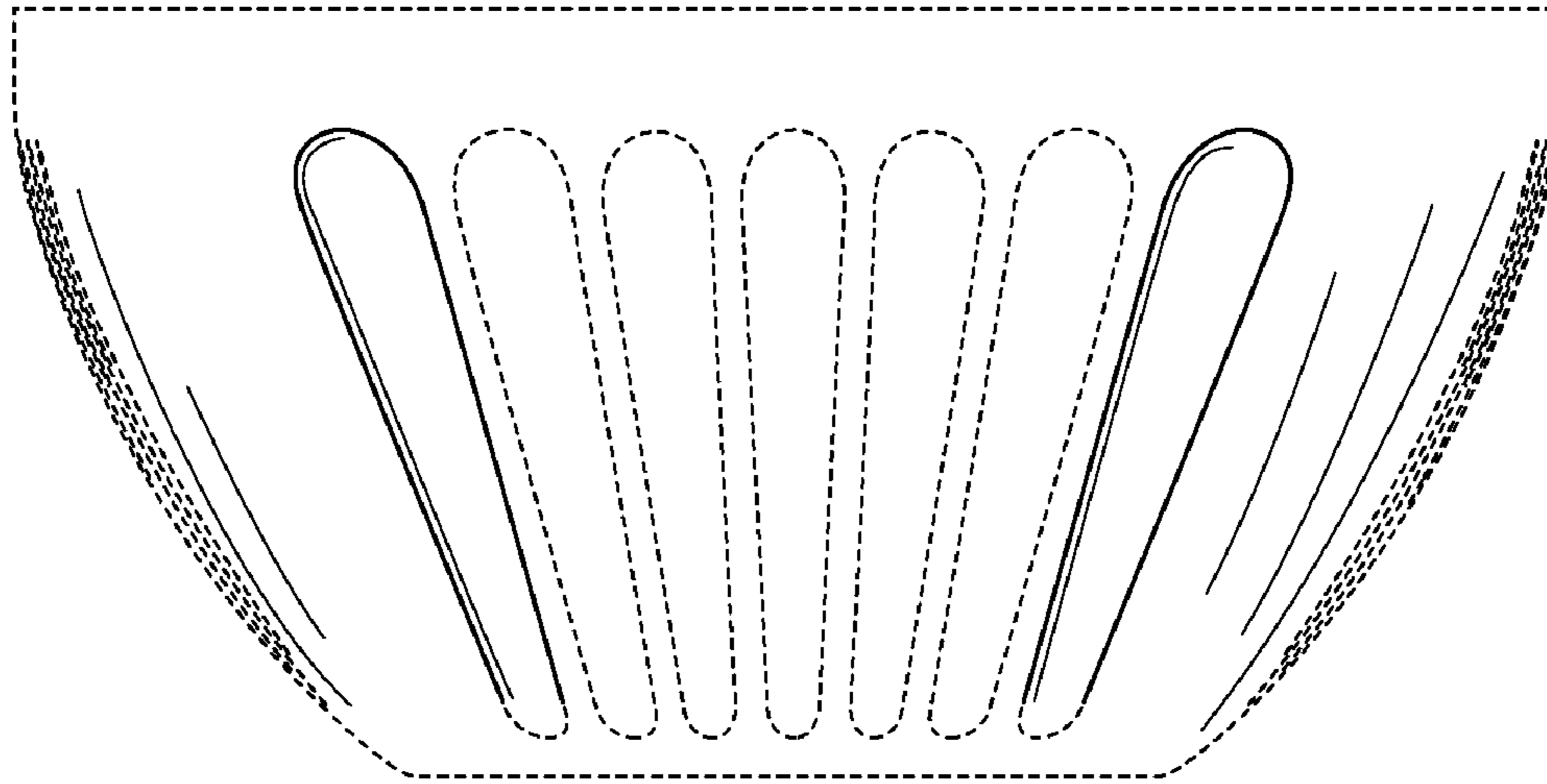


FIG. 4

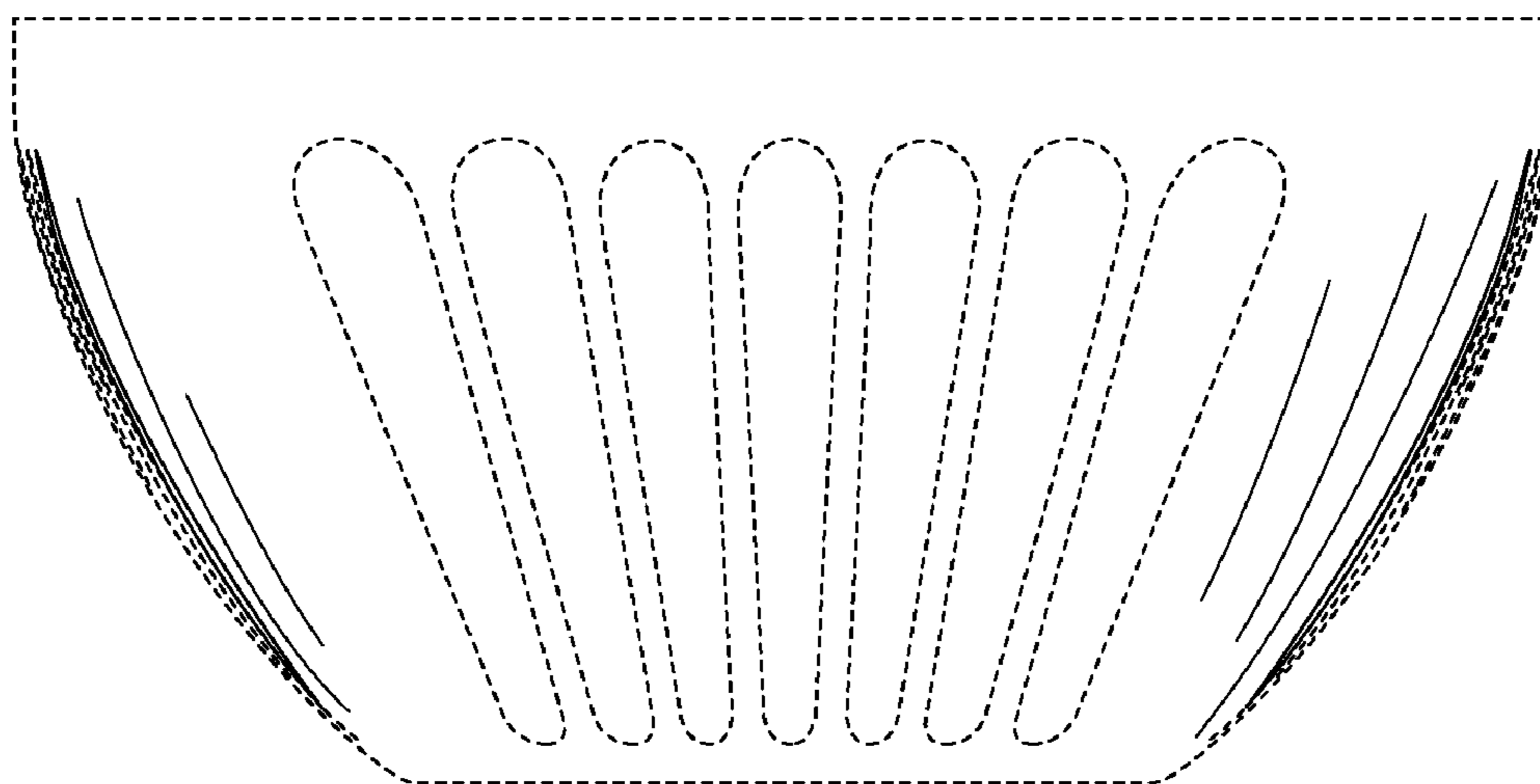


FIG. 5

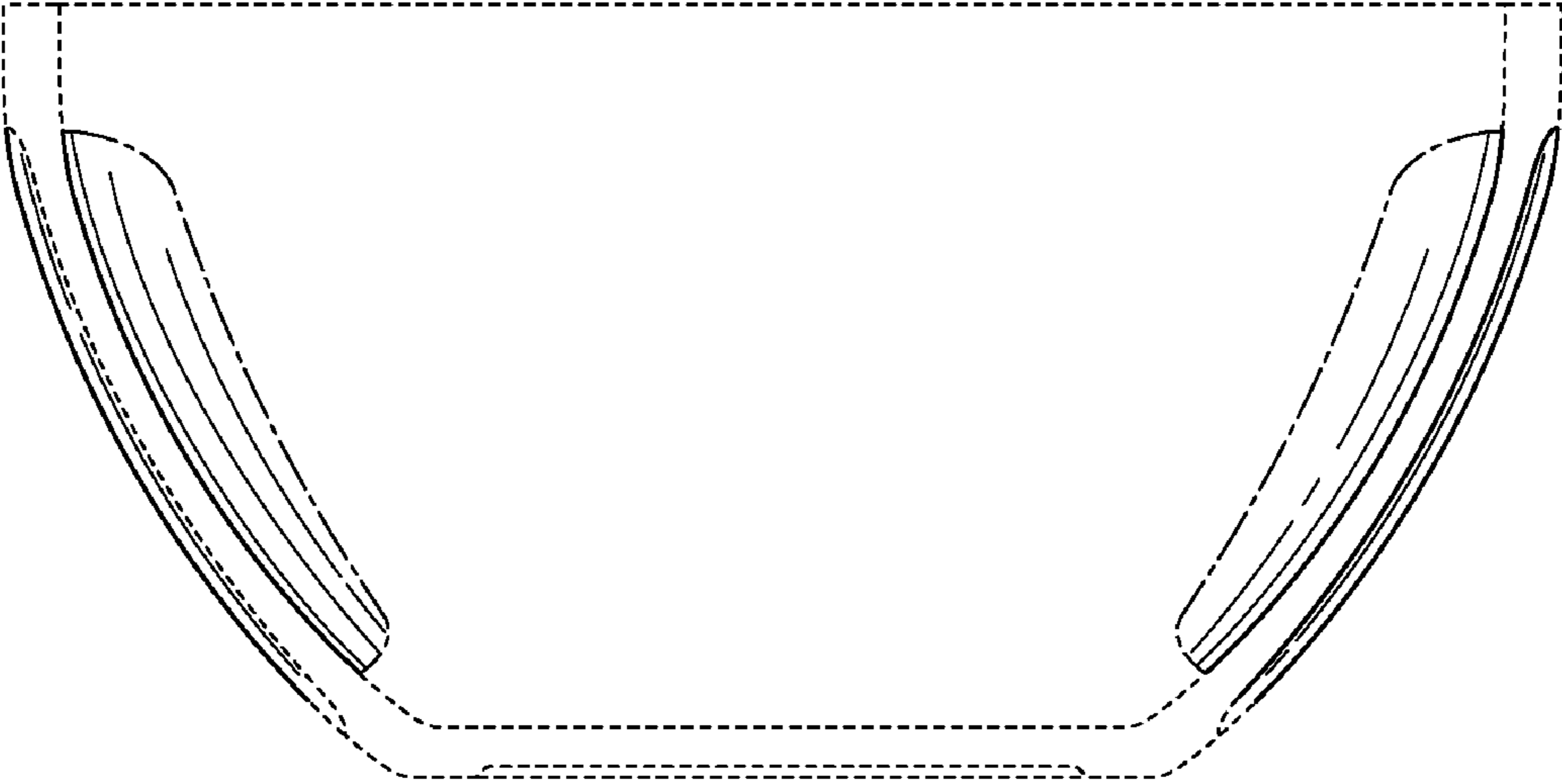


FIG. 6