



US00D640898S

(12) **United States Design Patent**
Sandor et al.

(10) **Patent No.:** **US D640,898 S**
(45) **Date of Patent:** **** Jul. 5, 2011**

(54) **MIXING PADDLE**

(75) Inventors: **James A. Sandor**, Trumbull, CT (US);
Kam Fai Fung, Tuen Mun (CN)

(73) Assignee: **Conair Corporation**, Stamford, CT
(US)

(**) Term: **14 Years**

(21) Appl. No.: **29/362,104**

(22) Filed: **May 20, 2010**

(51) **LOC (9) Cl.** **07-02**

(52) **U.S. Cl.** **D7/412; D7/376; D7/378; D7/384**

(58) **Field of Classification Search** D7/305-311,
D7/317-318, 368, 372, 376-386, 412-415,
D7/665; D24/130, 220; 99/326, 348, 508-511;
241/30-37.5, 101.01-101.2, 166-169.1,
241/285.1-285.3, 291, 292.1; 248/309.2;
366/64-67, 98, 142, 197-211, 241-254,
366/279-292, 341-347; 416/75-76, 70 R,
416/163; 425/456

See application file for complete search history.

(56) **References Cited**

U.S. PATENT DOCUMENTS

| | | | | | | |
|--------------|----|---|---------|----------------|-------|----------|
| D90,534 | S | * | 8/1933 | McArdle et al. | | D7/383 |
| D279,499 | S | * | 7/1985 | Case | | D24/220 |
| 4,938,125 | A | * | 7/1990 | Wong | | 99/326 |
| 4,942,807 | A | * | 7/1990 | Wong | | 99/348 |
| D529,336 | S | * | 10/2006 | Katz et al. | | D7/414 |
| D534,393 | S | * | 1/2007 | de Groote | | D7/376 |
| 2005/0258286 | A1 | * | 11/2005 | Katz et al. | | 241/37.5 |

* cited by examiner

Primary Examiner — Ricky Pham
(74) *Attorney, Agent, or Firm* — Lawrence Cruz

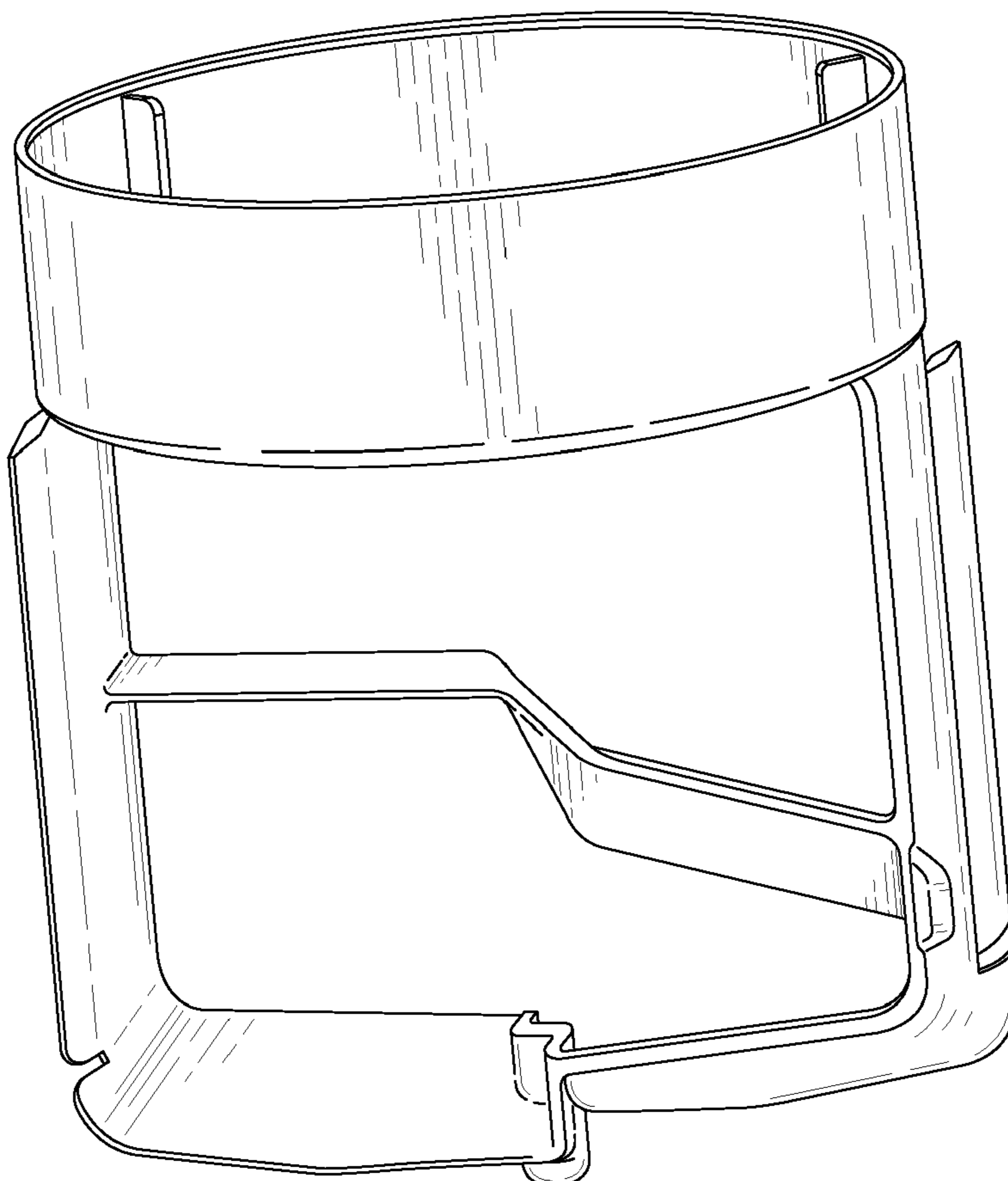
(57) **CLAIM**

The ornamental design for a mixing paddle, as shown and described.

DESCRIPTION

FIG. 1 is a perspective view of a mixing paddle showing a new design;
FIG. 2 is a front elevational view thereof;
FIG. 3 is a rear elevational view thereof;
FIG. 4 is a left side elevational view thereof;
FIG. 5 is a right side elevation view thereof;
FIG. 6 is a top plan view thereof; and,
FIG. 7 is a bottom plan view thereof.

1 Claim, 4 Drawing Sheets



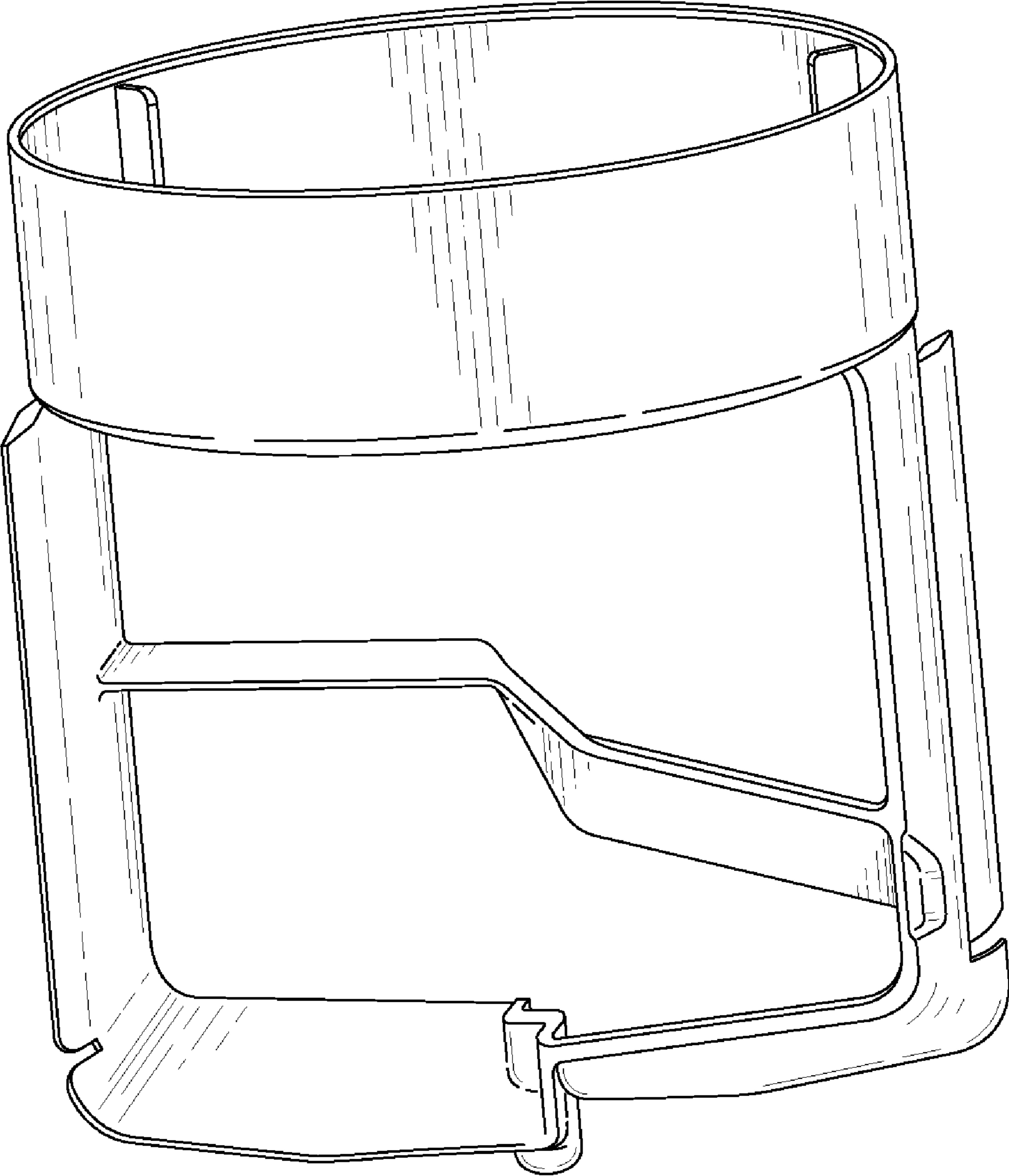


FIG. 1

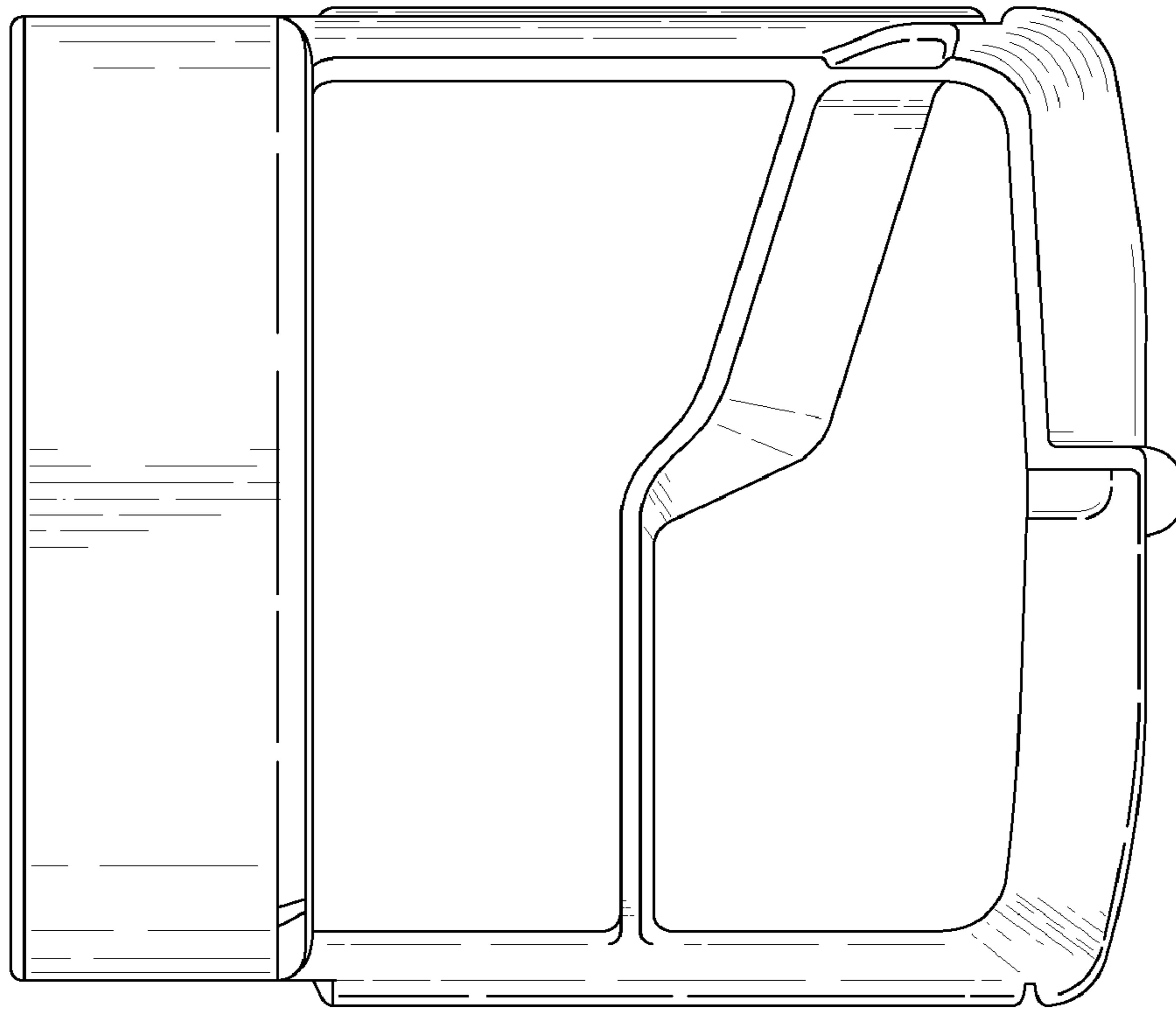


FIG. 3

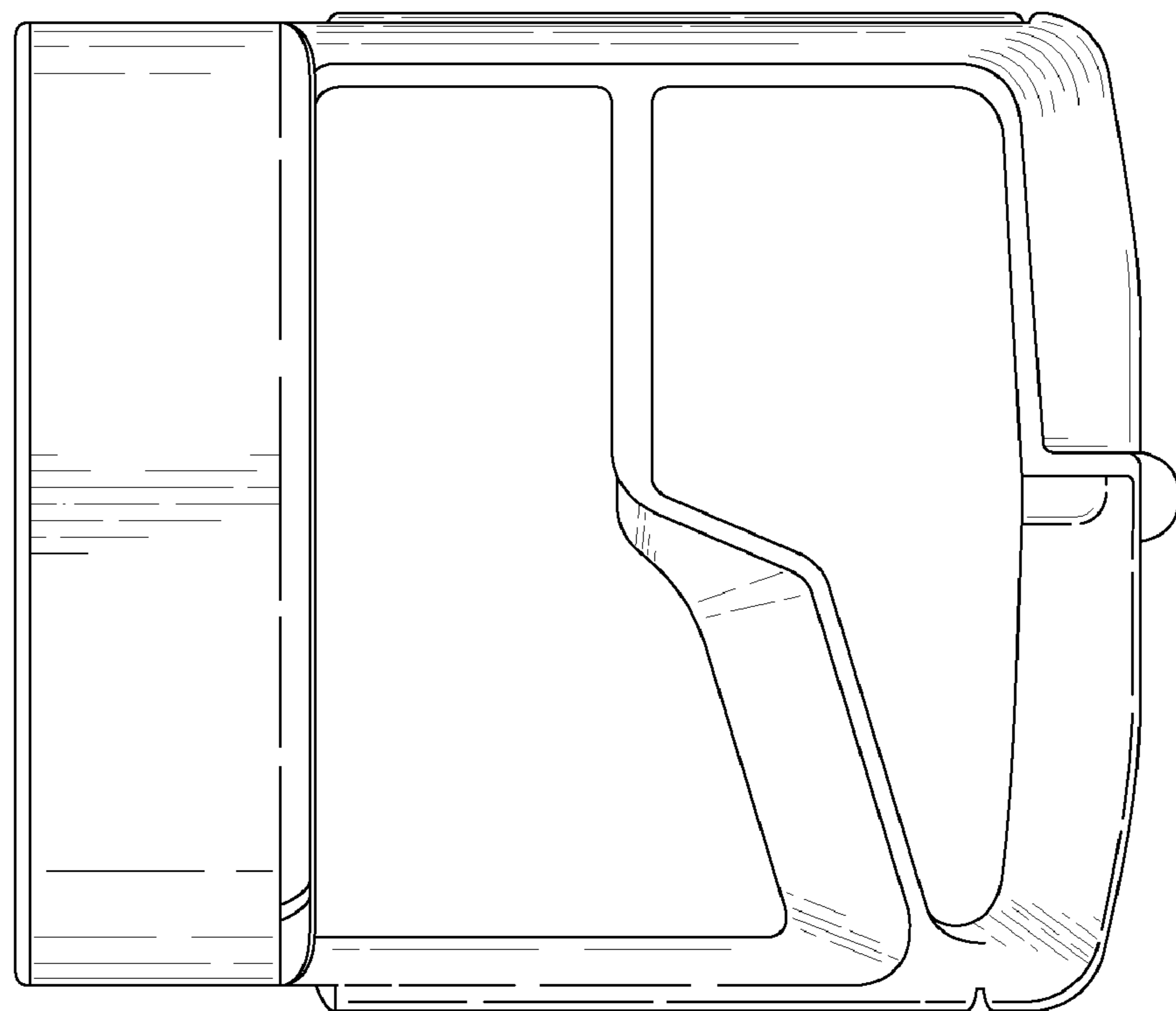


FIG. 2

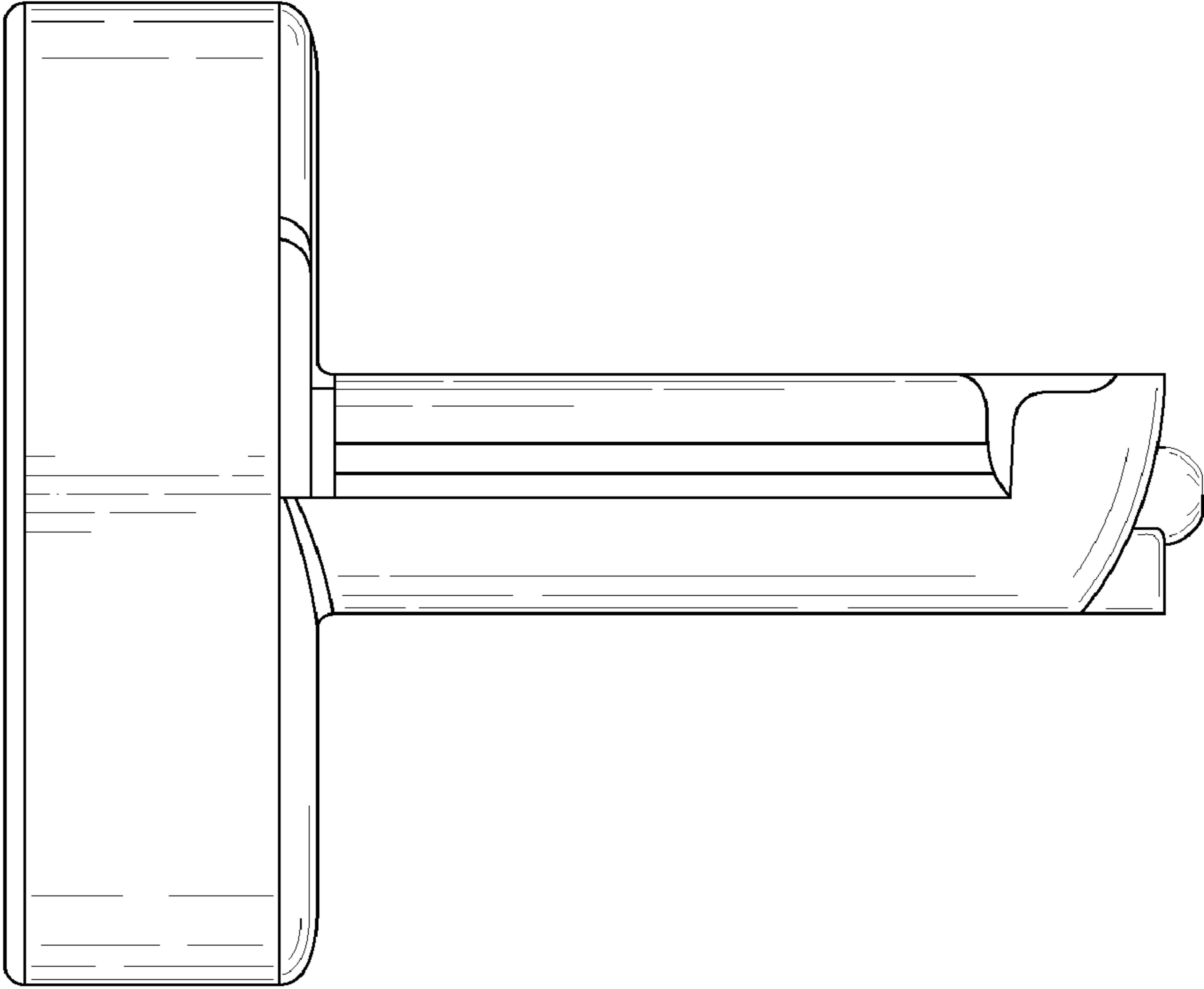


FIG. 5

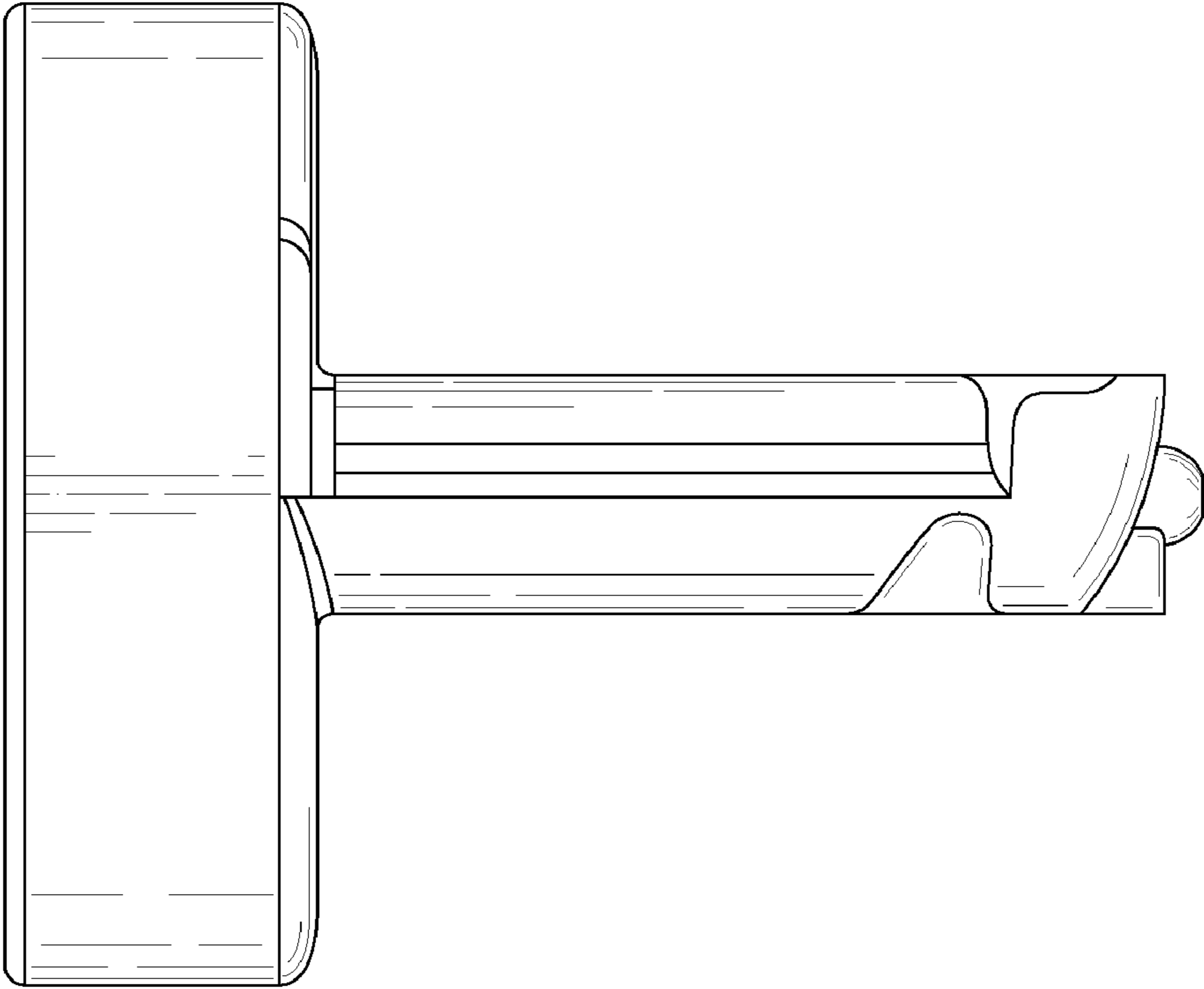


FIG. 4

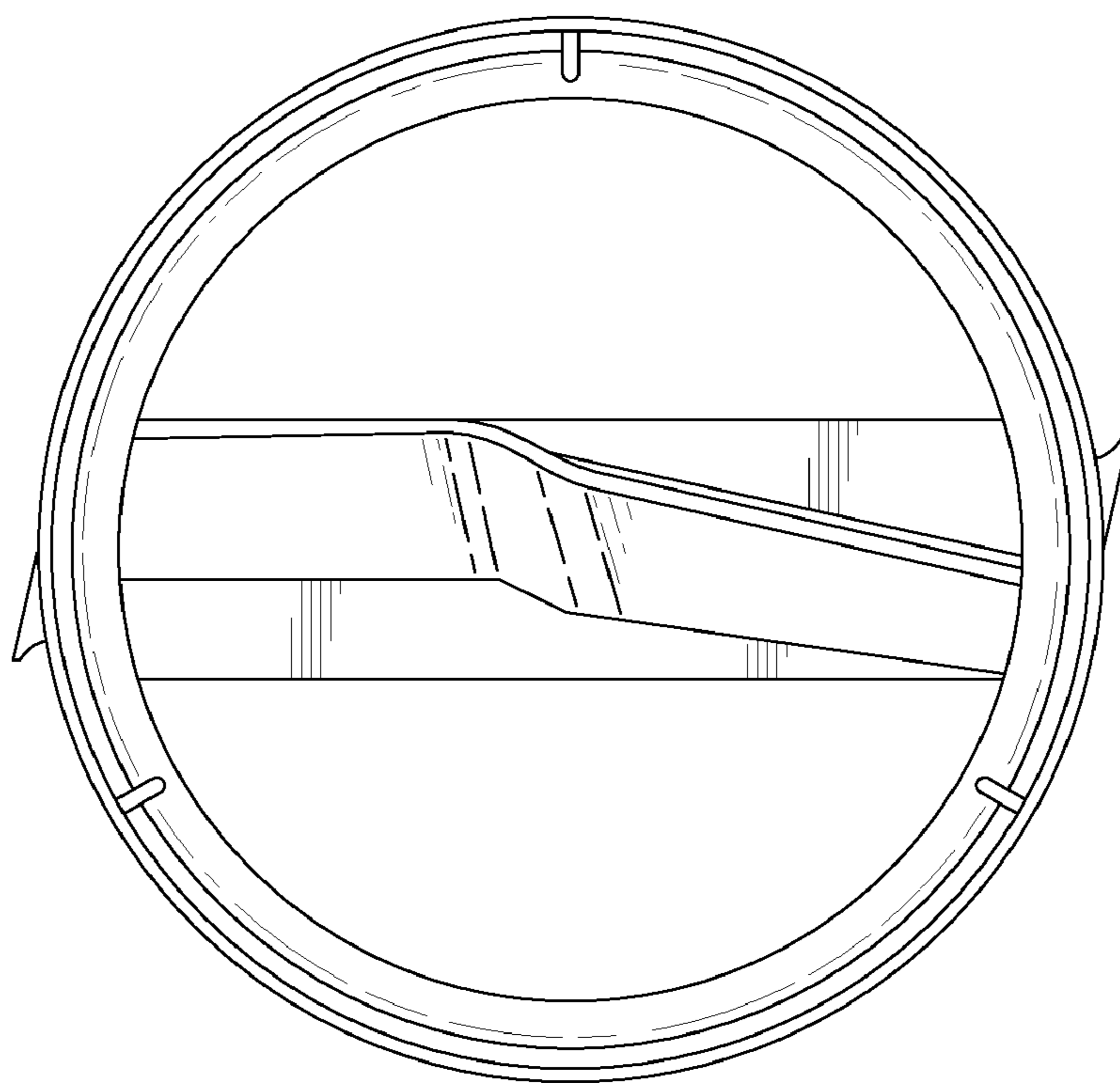


FIG. 6

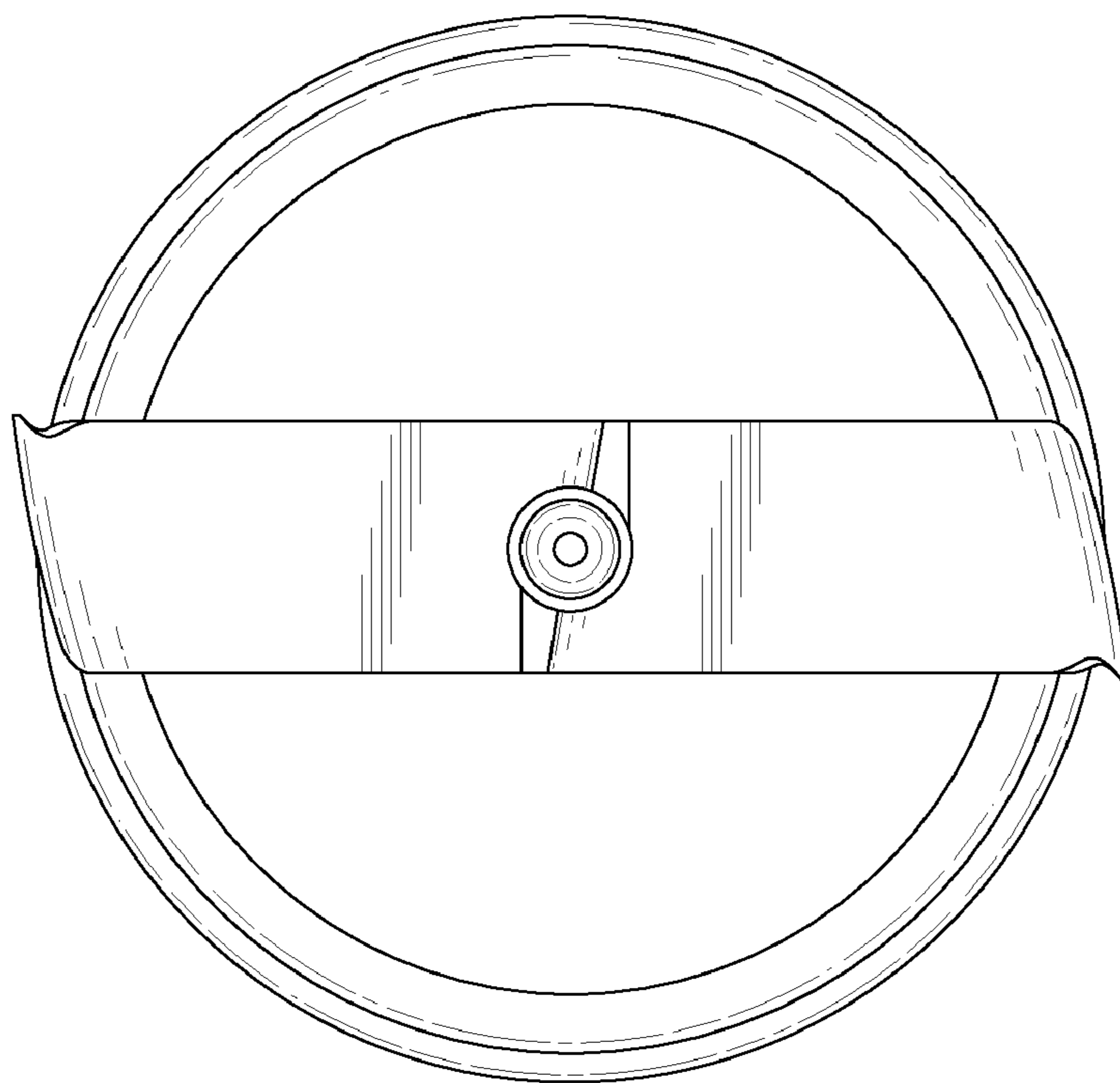


FIG. 7