



US00D640895S

(12) **United States Design Patent**
Tosdale et al.

(10) **Patent No.:** **US D640,895 S**
(45) **Date of Patent:** **** Jul. 5, 2011**

(54) **PAN**
(75) Inventors: **David R. Tosdale**, Manitowoc, WI (US);
Theresa M. Mayer, Sheboygan, WI
(US); **Ronald J. McGettrick**,
Sheboygan, WI (US)
(73) Assignee: **The Vollrath Company, L.L.C.**,
Sheboygan, WI (US)

D417,361 S 12/1999 Mittmann et al.
D422,836 S 4/2000 Mittmann
D427,482 S 7/2000 Mittmann
D431,148 S 9/2000 Mittmann
D432,866 S * 10/2000 Harrison D7/545
D435,390 S 12/2000 Mittmann
D443,173 S 6/2001 Danielsen et al.
D446,993 S 8/2001 Zank
D446,994 S 8/2001 Zank
D449,205 S 10/2001 Zank

(Continued)

(**) Term: **14 Years**

FOREIGN PATENT DOCUMENTS

(21) Appl. No.: **29/375,857**

WO WO-00/59351 10/2000

(Continued)

(22) Filed: **Sep. 28, 2010**

OTHER PUBLICATIONS

(51) **LOC (9) Cl.** **07-02**

(52) **U.S. Cl.** **D7/354**

(58) **Field of Classification Search** D3/304,
D3/307-309; D7/323, 354-363, 402, 543-545,
D7/554.3-554.4, 560, 585-588; D9/425,
D9/456, 760-761; 99/324, 339, 426; 206/514-515,
206/518-519; 220/23.2-23.6, 573.1-573.3,
220/657, 912; 249/117, 126

U.S. Appl. No. 11/623,557, filed Jan. 16, 2007, Liebrecht.

(Continued)

See application file for complete search history.

Primary Examiner — Ricky Pham

(74) *Attorney, Agent, or Firm* — Foley & Lardner LLP

(56) **References Cited**

(57) **CLAIM**

We claim the ornamental design for a pan, as shown and described.

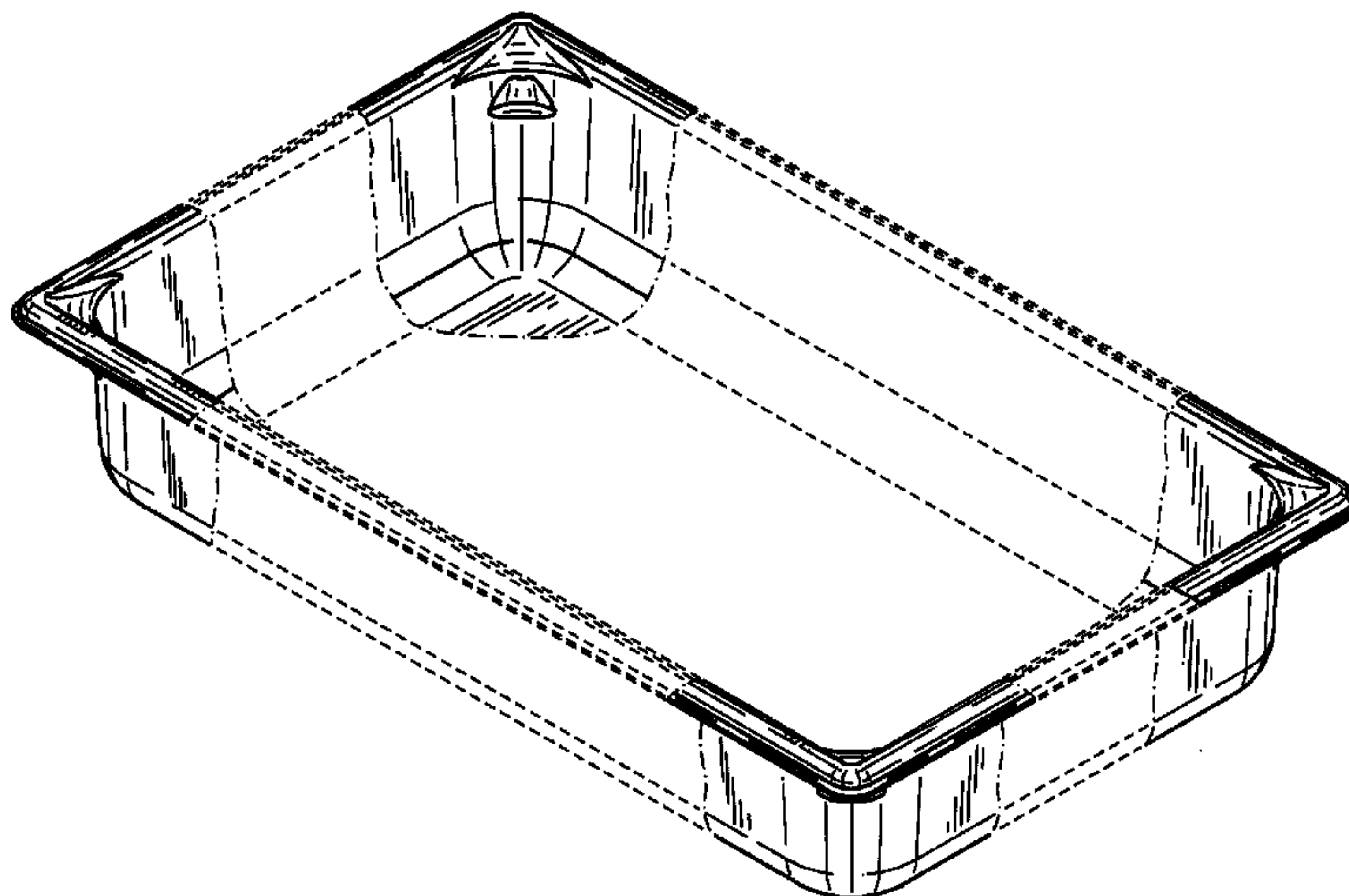
U.S. PATENT DOCUMENTS

DESCRIPTION

2,602,568 A * 7/1952 Kinney, Jr. 206/519
D287,809 S * 1/1987 Alexander D7/359
4,660,734 A 4/1987 Heaney et al.
D291,526 S * 8/1987 Heaney et al. D7/354
4,804,092 A * 2/1989 Jones 206/519
4,828,112 A 5/1989 Vollrath et al.
D305,410 S * 1/1990 Tyler D9/425
5,035,327 A 7/1991 Denzin et al.
5,131,708 A 7/1992 Denzin
D333,944 S 3/1993 Denzin et al.
D375,652 S * 11/1996 Hayes D7/354
5,632,398 A 5/1997 Baltus et al.
D382,440 S 8/1997 Fonville
5,676,276 A * 10/1997 Zielinski et al. 220/657
5,762,226 A 6/1998 Baltus et al.

FIG. 1 is a front perspective view from above of the claimed design;
FIG. 2 is a top view of the claimed design;
FIG. 3 is a right side view of the claimed design, the left side view is a mirror image of FIG. 3.;
FIG. 4 is a front view of the claimed design, the rear view is a mirror image of FIG. 4; and,
FIG. 5 is a bottom view of the claimed design.
Any broken lines in the drawings are for illustrative purposes only and form no part of the claimed design.

1 Claim, 5 Drawing Sheets



US D640,895 S

Page 2

U.S. PATENT DOCUMENTS

6,349,843 B1 2/2002 Mittmann et al.
D454,751 S 3/2002 Zank
6,415,945 B1 7/2002 Zank et al.
D469,300 S * 1/2003 Nakazawa D7/354
6,557,720 B2 5/2003 Tosdale et al.
6,568,534 B2 5/2003 Zank
D517,366 S * 3/2006 Oztiryaki D7/354
D529,755 S * 10/2006 Lobman et al. D7/356
7,347,327 B2 * 3/2008 Lobman et al. 206/518
D569,169 S * 5/2008 Munson D7/354
D575,095 S * 8/2008 Schreiber-Pethan et al. .. D7/354
D596,893 S 7/2009 Tosdale et al.
D597,371 S 8/2009 Tosdale et al.
D613,108 S 4/2010 Tosdale et al.
D620,305 S 7/2010 Tosdale et al.
D620,306 S 7/2010 Tosdale et al.
7,866,503 B2 * 1/2011 Liebzeit 220/573.1

2001/0019060 A1 9/2001 Zank
2005/0252814 A1 * 11/2005 Lobman et al. 206/518
2008/0169294 A1 7/2008 Liebzeit
2008/0169295 A1 7/2008 Liebzeit
2008/0185390 A1 8/2008 Liebzeit
2008/0296307 A1 12/2008 Liebzeit
2010/0071567 A1 3/2010 Tosdale et al.
2010/0181321 A1 7/2010 Liebzeit

FOREIGN PATENT DOCUMENTS

WO WO 2008/088352 A1 7/2008

OTHER PUBLICATIONS

U.S. Appl. No. 29/366,399, filed Jul. 23, 2010, Tosdale et al.
Vollrath, Equipment and Smallwares Catalog, 2010-2011,
Smallwares, 21 pages.

* cited by examiner

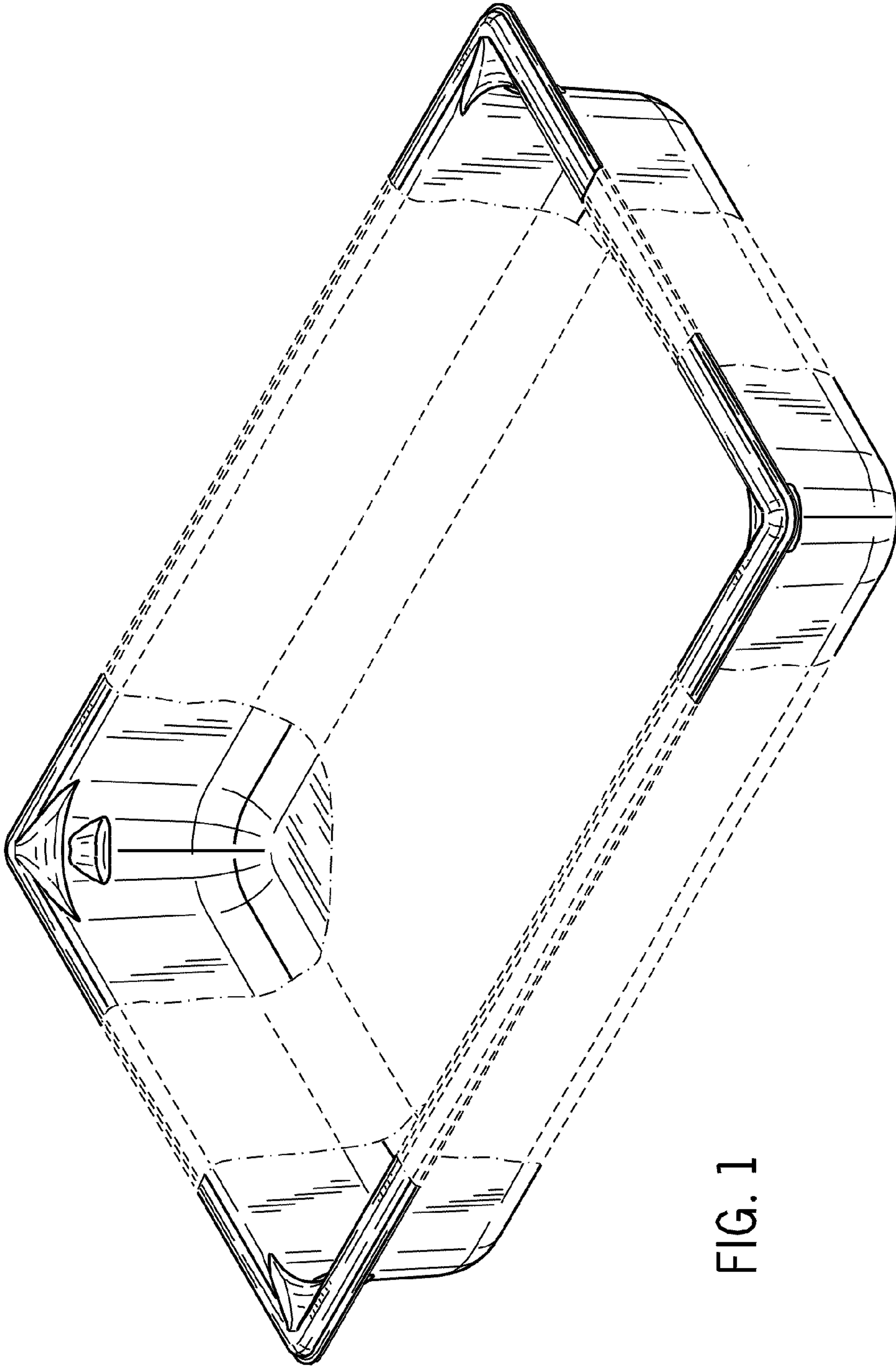


FIG. 1

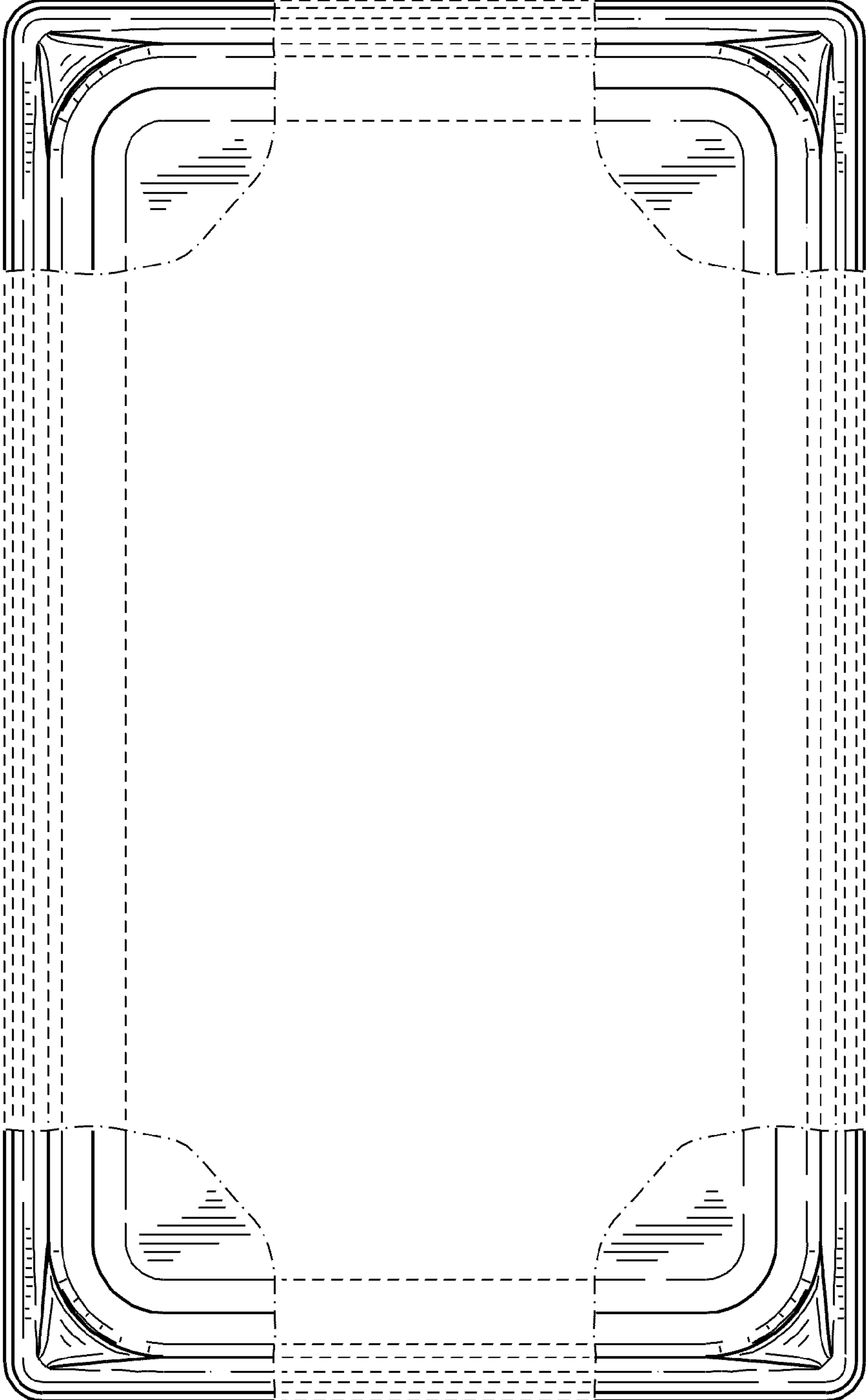


FIG. 2



FIG. 3

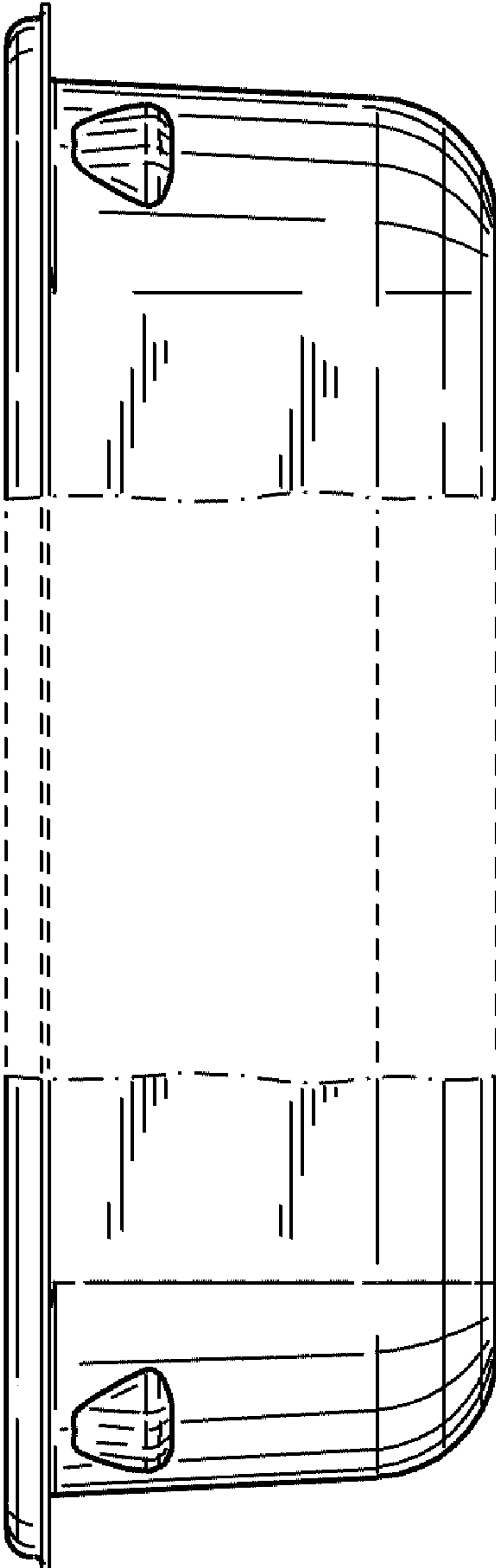


FIG. 4

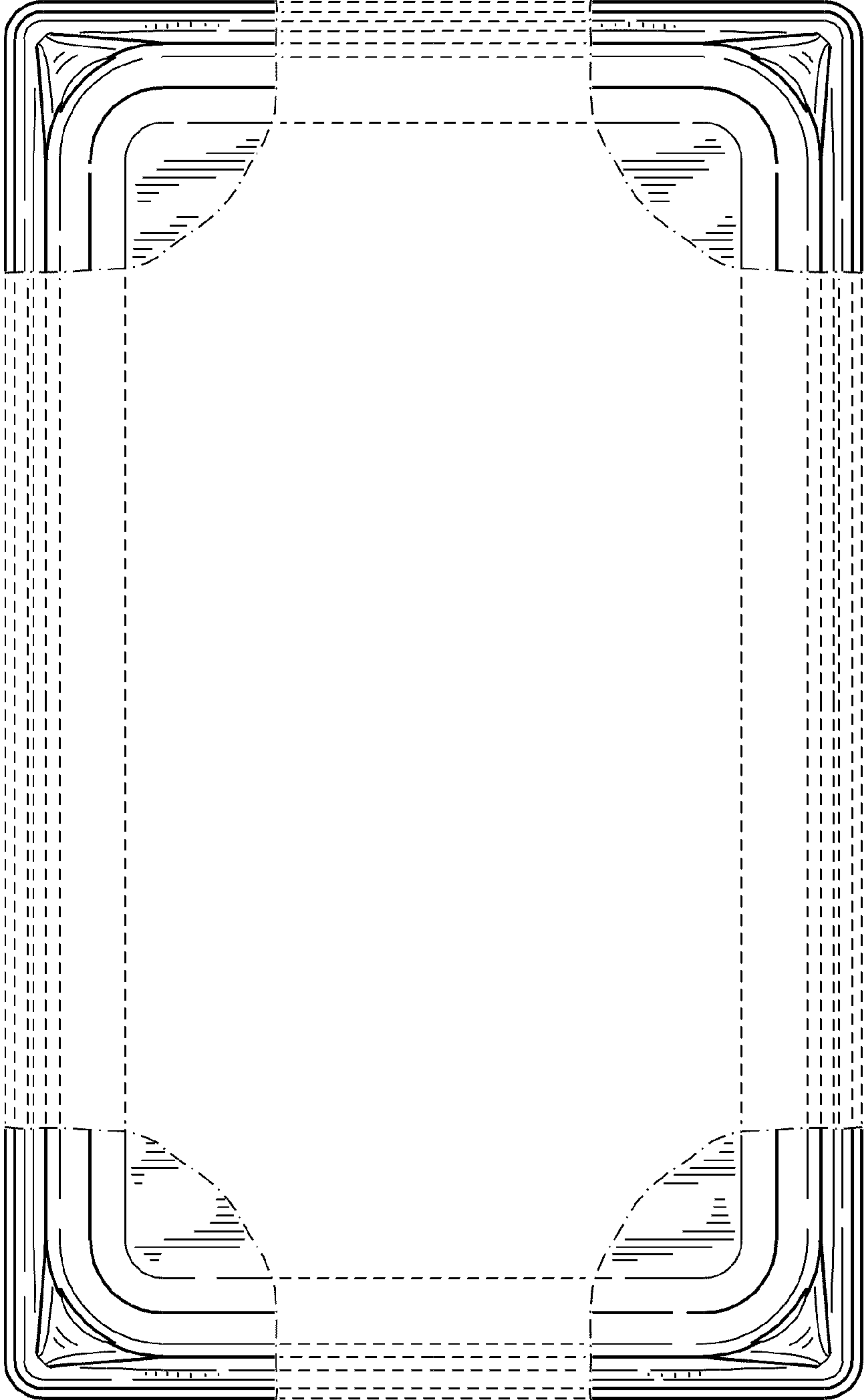


FIG. 5