



US00D640893S

(12) **United States Design Patent**
Lindquist et al.

(10) **Patent No.:** **US D640,893 S**

(45) **Date of Patent:** **** Jul. 5, 2011**

(54) **TOASTER**

(75) Inventors: **Scott Lindquist**, Doral, FL (US);
Augusto Picozza, Boca Raton, FL (US)

(73) Assignee: **Sunbeam Products, Inc.**, Boca Raton,
FL (US)

(**) Term: **14 Years**

(21) Appl. No.: **29/356,752**

(22) Filed: **Mar. 2, 2010**

(51) **LOC (9) Cl.** **07-02**

(52) **U.S. Cl.** **D7/330**

(58) **Field of Classification Search** D7/323,
D7/328-334, 340-341, 346, 350.4, 354-365,
D7/367, 390, 402, 405-411; 99/326-327,
99/329 R, 331-332, 341, 349, 357, 375, 385-389,
99/392, 423; 219/385-392, 405, 443.1, 450.1,
219/489, 492, 532; 426/233, 523
See application file for complete search history.

(56) **References Cited**

U.S. PATENT DOCUMENTS

D424,861 S * 5/2000 Hughes D7/330
D428,759 S * 8/2000 Hughes D7/330

D472,421 S * 4/2003 To D7/330
D473,093 S * 4/2003 To D7/330
D490,267 S * 5/2004 Berthier D7/330
D522,305 S * 6/2006 Morgan D7/330
D548,512 S * 8/2007 Nakatani D7/330
D552,918 S * 10/2007 Kim et al. D7/330
D553,421 S * 10/2007 Kim et al. D7/330
D567,570 S * 4/2008 O'Loughlin D7/330

* cited by examiner

Primary Examiner — Ricky Pham

(74) *Attorney, Agent, or Firm* — Michael J. Corrigan

(57) **CLAIM**

The ornamental design for a toaster, shown and described.

DESCRIPTION

FIG. 1 is a top front right perspective view of the toaster showing the new design;
FIG. 2 is a front elevation view thereof;
FIG. 3 is a top plan view thereof;
FIG. 4 is a bottom plan view thereof;
FIG. 5 is a left side elevation view thereof;
FIG. 6 is a right side elevation view thereof; and,
FIG. 7 is a back elevation view thereof.
The broken lines in the drawings are for illustrative purposes only and form no part of the claimed design.

1 Claim, 4 Drawing Sheets

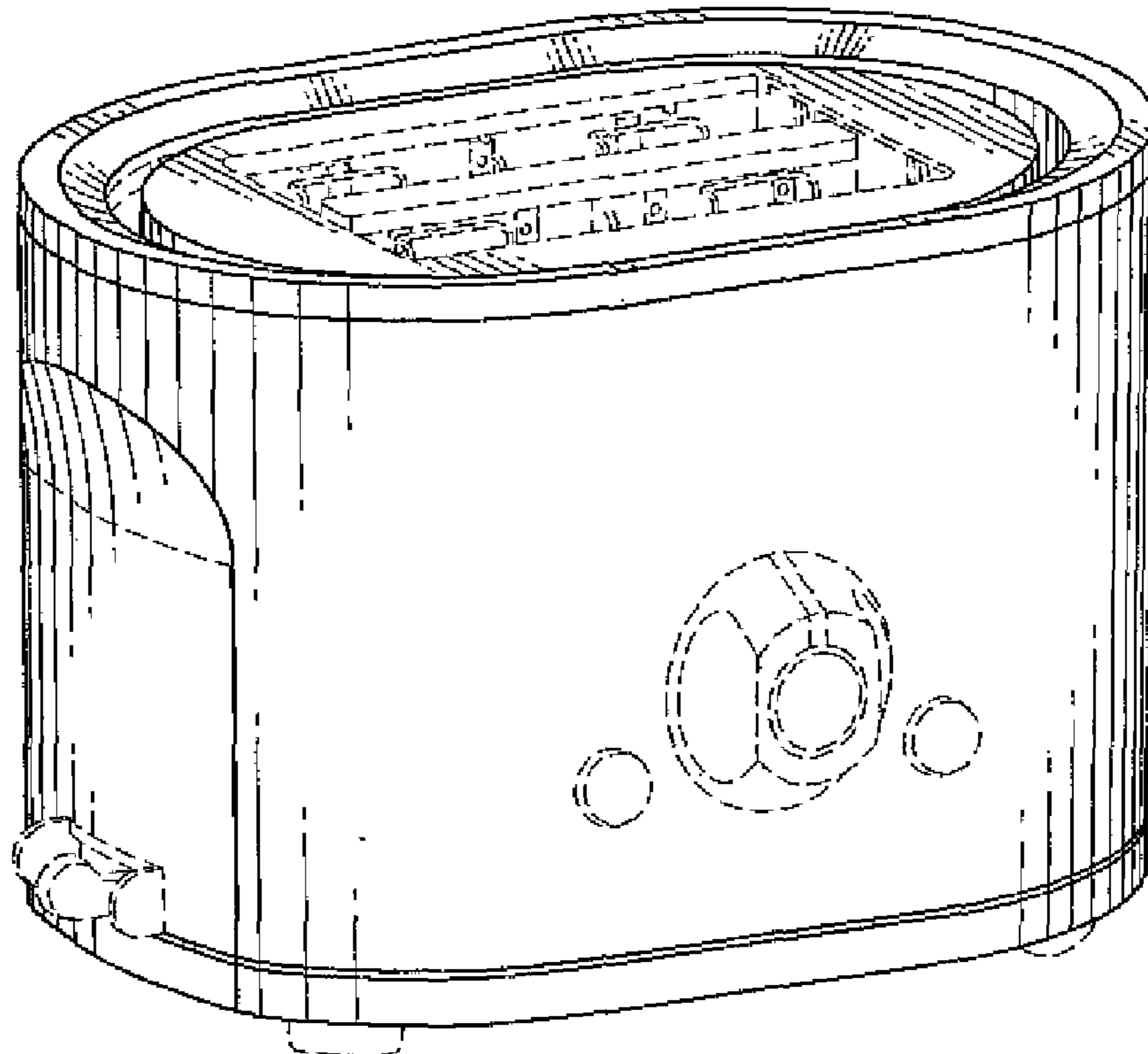


FIG. 1

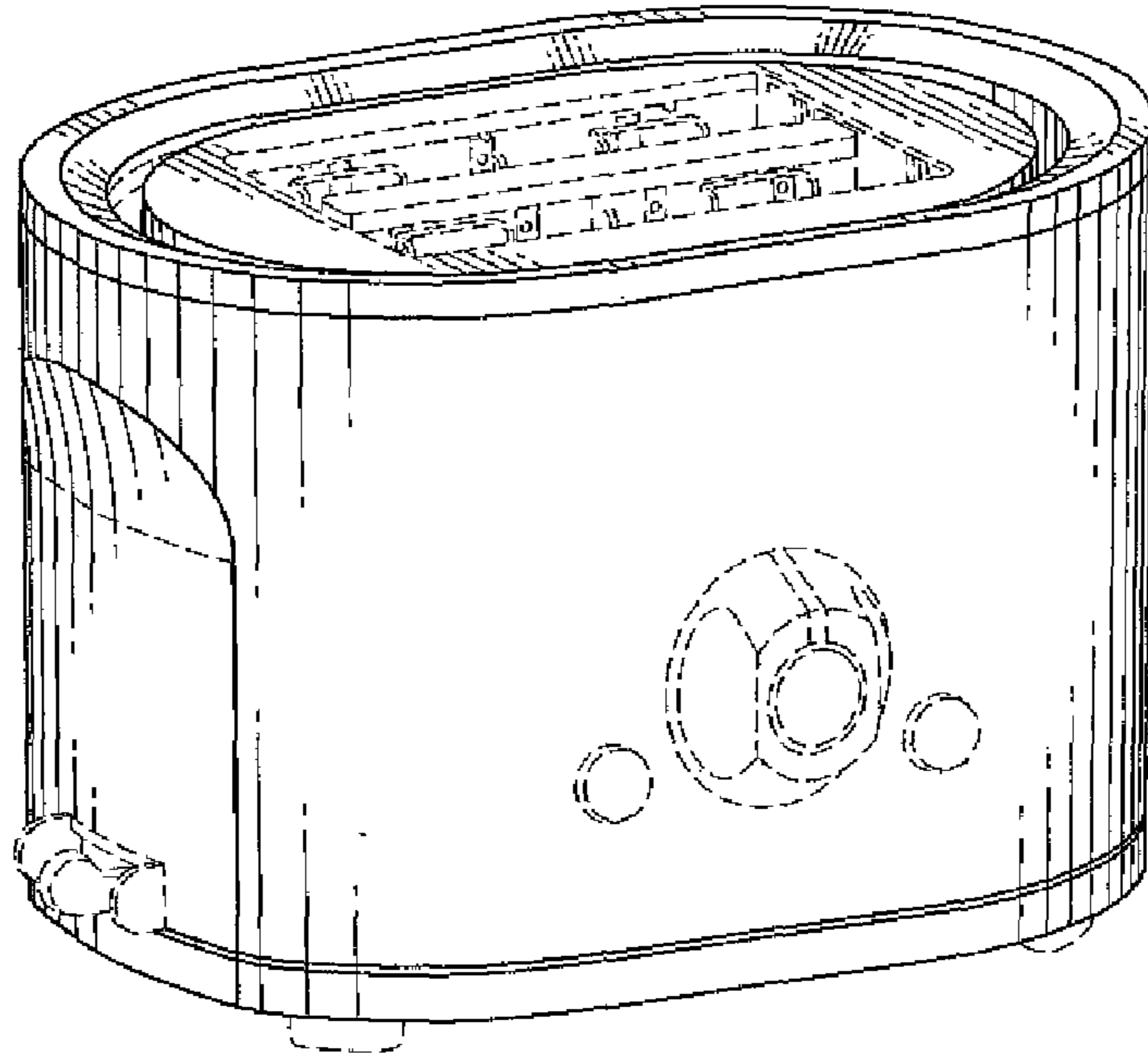


FIG. 2

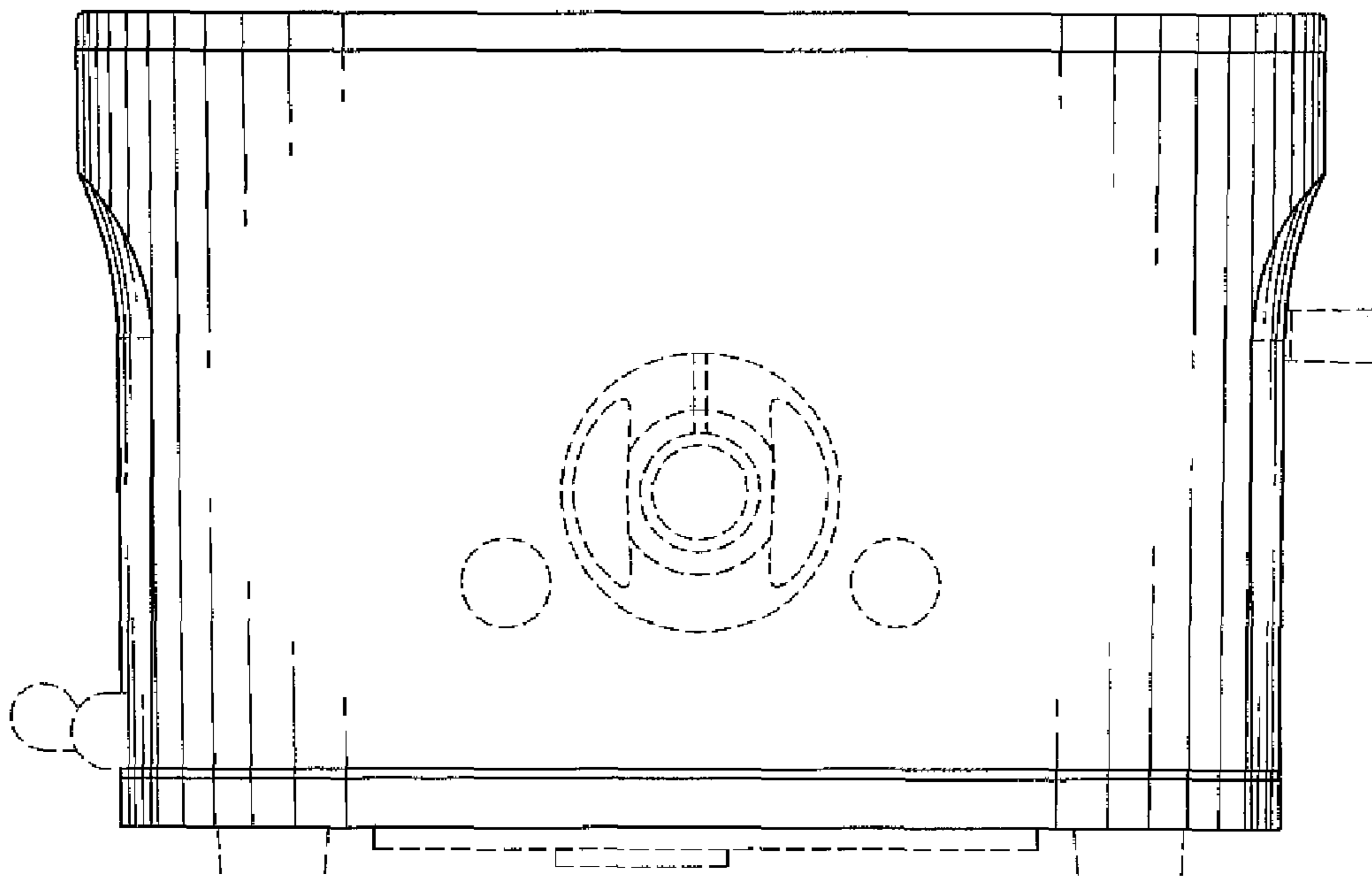


FIG. 3

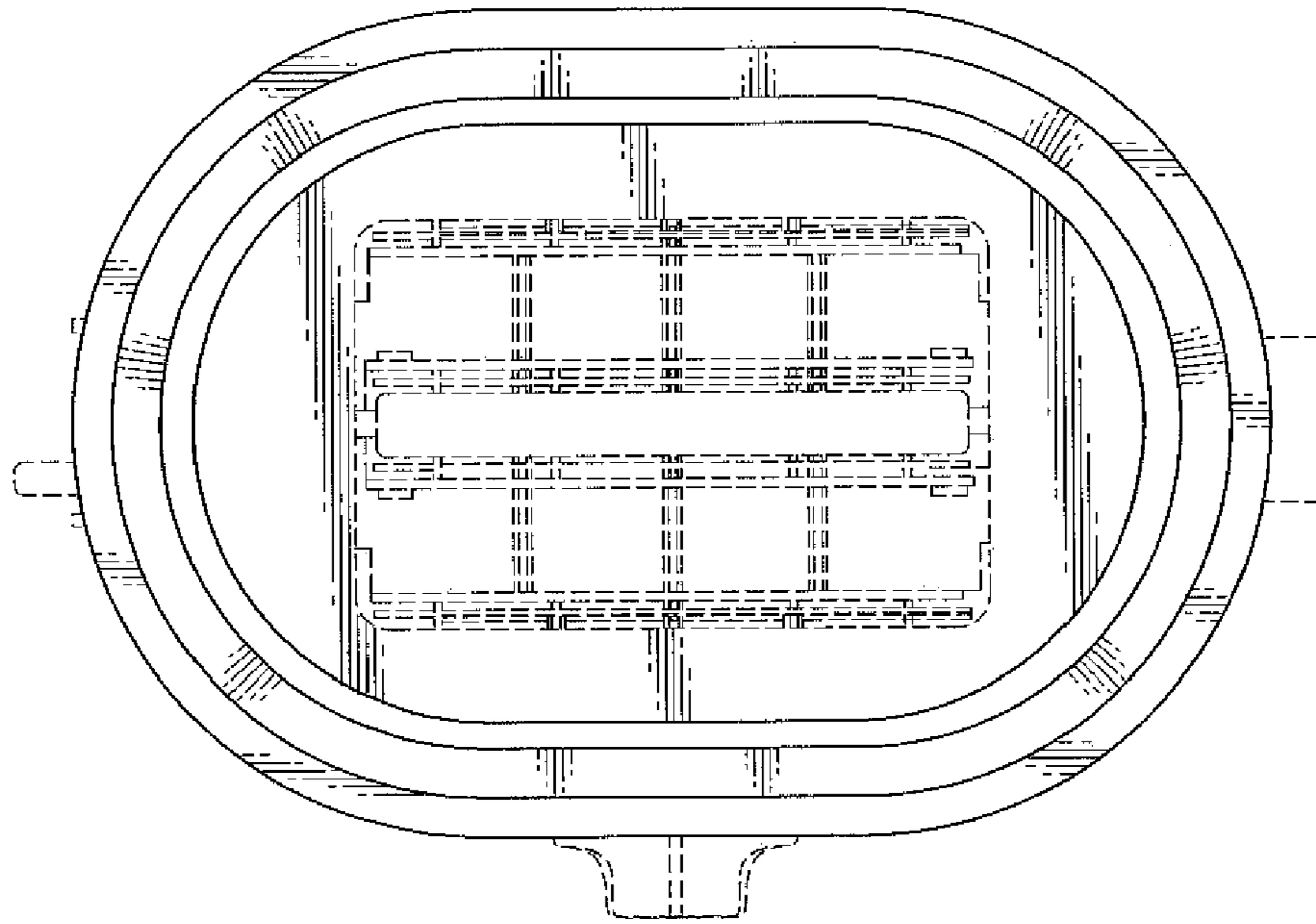


FIG. 4

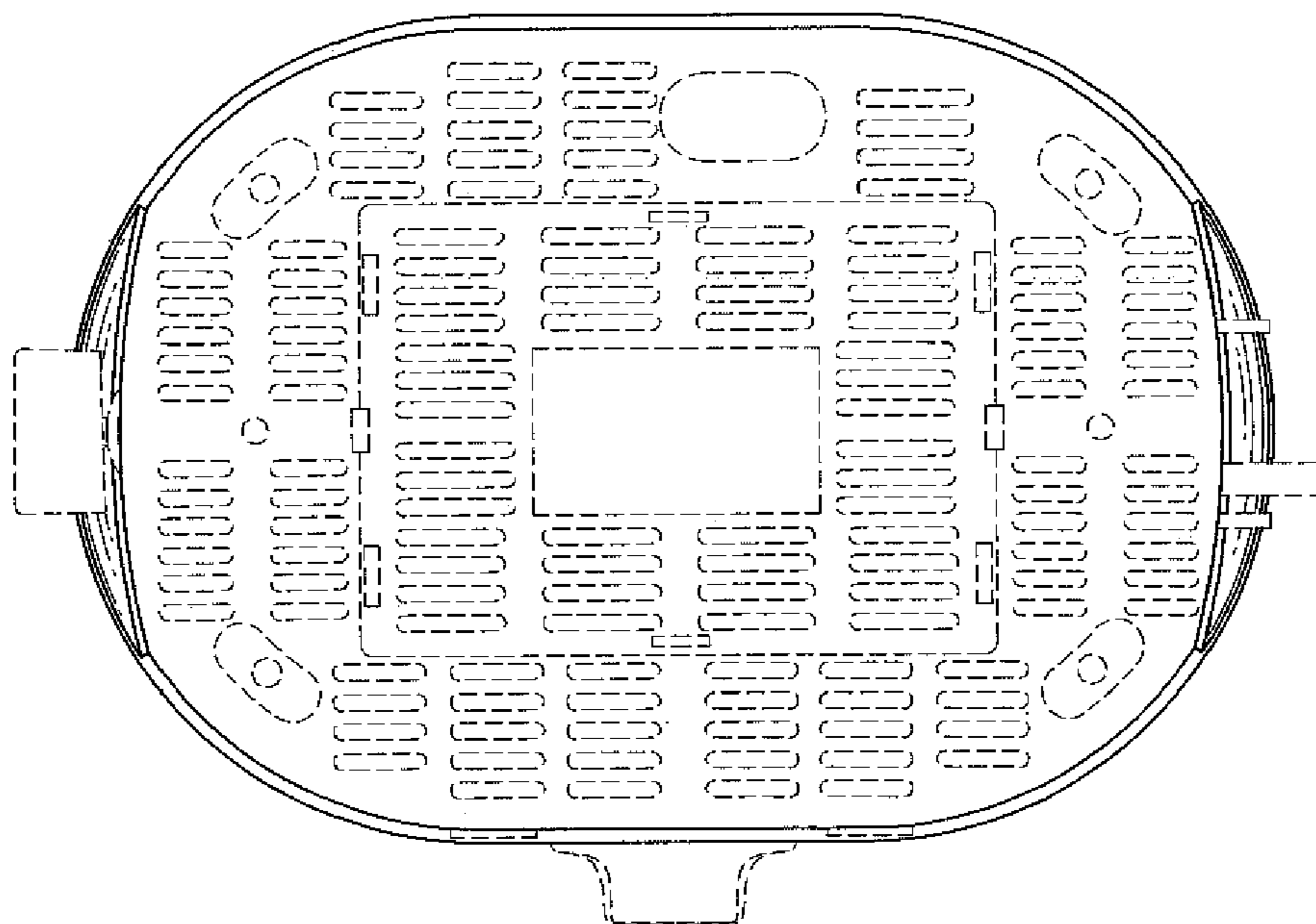


FIG. 5

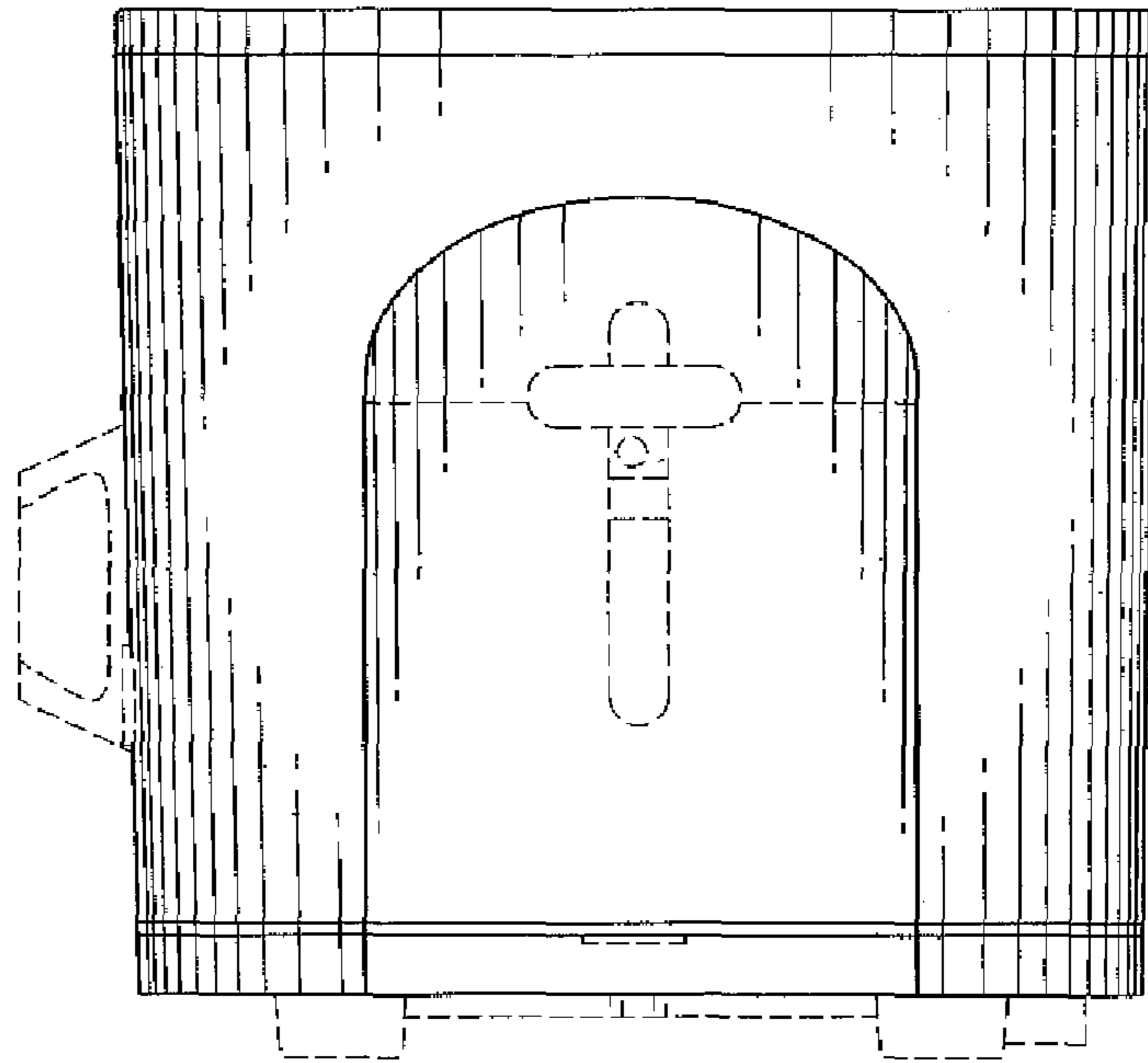


FIG. 6

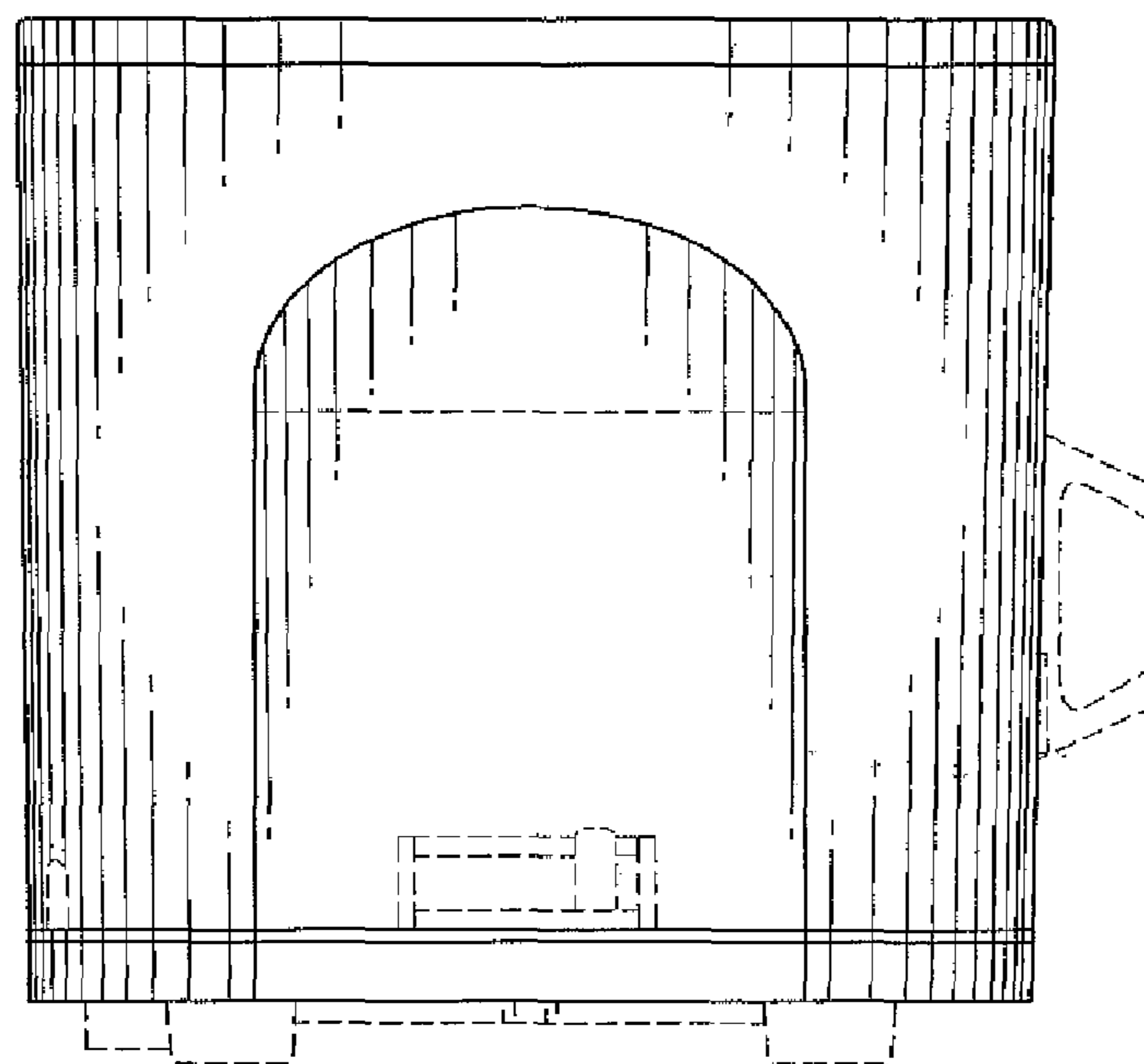


FIG. 7

