

US00D640889S

(12) **United States Design Patent**
Wahl et al.

(10) **Patent No.:** **US D640,889 S**
(45) **Date of Patent:** **** Jul. 5, 2011**

(54) **BED HEADBOARD**

(75) Inventors: **Paul J. Wahl**, Ferdinand, IN (US);
Sherry A. Foster, Jasper, IN (US);
Cynthia A. Wehr, Jasper, IN (US);
Deaderia W. Morris, Frederick, MD
(US)

(73) Assignee: **Kimball International, Inc.**, Jasper, IN
(US)

(**) Term: **14 Years**

(21) Appl. No.: **29/356,339**

(22) Filed: **Feb. 24, 2010**

(51) **LOC (9) Cl.** **06-06**

(52) **U.S. Cl.** **D6/505**

(58) **Field of Classification Search** D6/383,
D6/388, 392-395, 505-508, 492, 494; 5/53.1,
5/907, 279.1, 280, 281, 2.1, 600, 612, 620
See application file for complete search history.

(56) **References Cited**

U.S. PATENT DOCUMENTS

D96,148 S	7/1935	Walker	
D106,301 S	* 10/1937	Krick	D6/505
D144,872 S	5/1946	Rhodes	
2,666,213 A	* 1/1954	Bash	5/131
D175,195 S	7/1955	Streng	
D214,741 S	7/1969	Dean	
D233,873 S	12/1974	Mills	
D241,395 S	9/1976	Perl et al.	
D285,505 S	9/1986	Billiet	
D318,768 S	8/1991	Westland et al.	
D334,478 S	4/1993	Rogers	
D341,732 S	11/1993	Ferguson	
D343,073 S	1/1994	Black	
D371,017 S	6/1996	Walters, III et al.	
D407,245 S	3/1999	Lewis	
D429,100 S	* 8/2000	Cain	D6/505
D440,071 S	4/2001	Hutton	
D451,700 S	12/2001	Vaaler	
D485,451 S	1/2004	De Blois	
D488,640 S	4/2004	Domack	
D497,503 S	* 10/2004	Rozenboom	D6/505
D498,370 S	11/2004	Paus	

D503,866 S	* 4/2005	Mohundro	D6/505
D504,251 S	4/2005	Kreiss	
D529,309 S	10/2006	Juneau et al.	
D540,570 S	4/2007	Bibi	
D546,589 S	7/2007	Kreiss	
D569,127 S	5/2008	Kanhasamy	
D575,964 S	9/2008	Liu	

* cited by examiner

Primary Examiner — Janice Seeger

(74) *Attorney, Agent, or Firm* — Baker & Daniels LLP

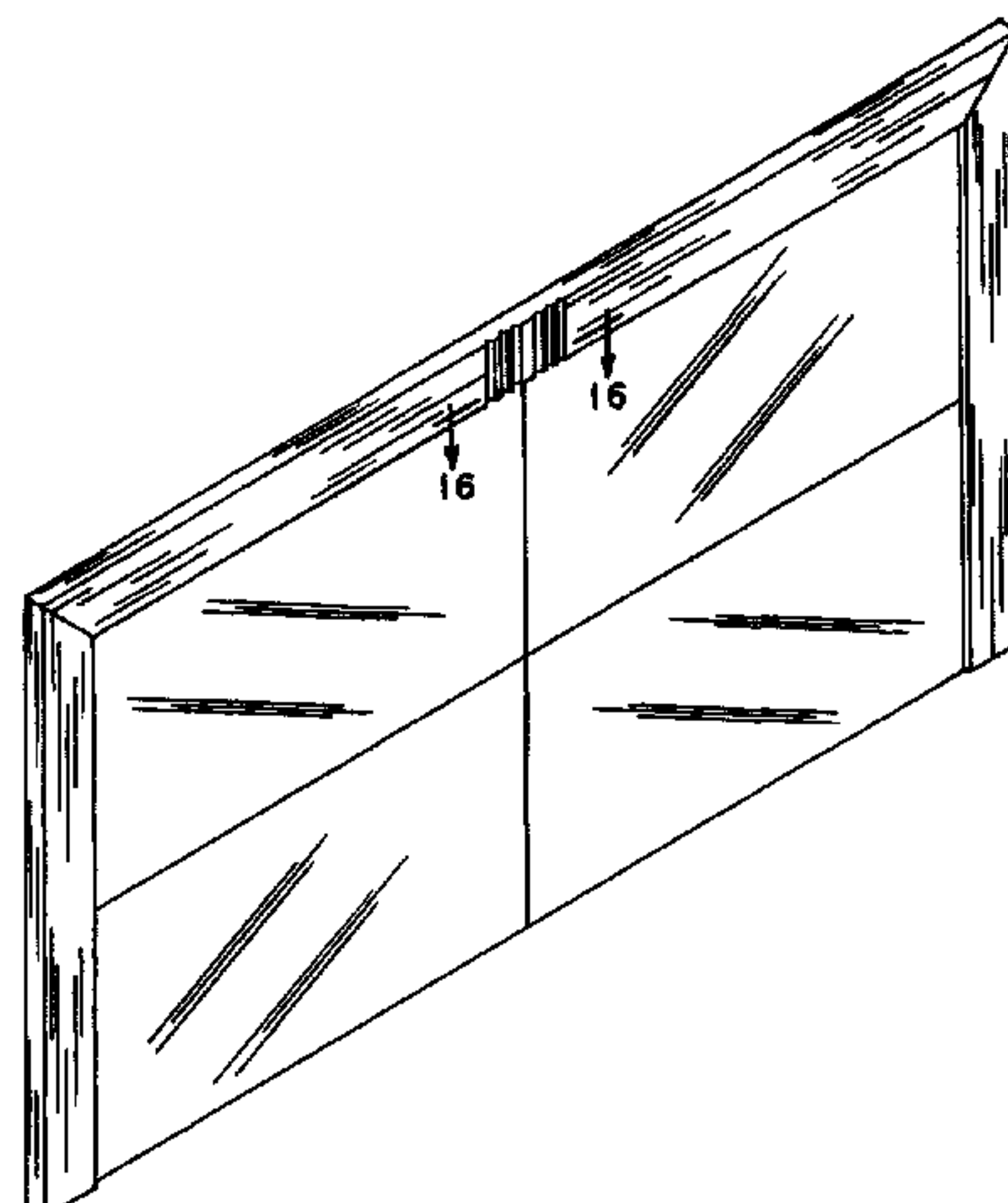
(57) **CLAIM**

The ornamental design for a bed headboard, as shown and described.

DESCRIPTION

FIG. 1 is a front perspective view of a bed headboard according to a first embodiment;
 FIG. 2 is a front view thereof;
 FIG. 3 is a side view thereof, it being understood that the left and right sides are identical;
 FIG. 4 is a top view thereof; and
 FIG. 5 is a bottom view thereof.
 FIG. 6 is a front perspective view of a bed headboard according to a second embodiment, having a width less than that of the first embodiment;
 FIG. 7 is a front view thereof;
 FIG. 8 is a side view thereof, it being understood that the left and right sides are identical;
 FIG. 9 is a top view thereof; and
 FIG. 10 is a bottom view thereof.
 FIG. 11 is a front perspective view of a bed headboard according to a third embodiment, having a width less than that of the second embodiment;
 FIG. 12 is a front view thereof;
 FIG. 13 is a side view thereof, it being understood that the left and right sides are identical;
 FIG. 14 is a top view thereof;
 FIG. 15 is a bottom view thereof; and,
 FIG. 16 is a sectional view, taken along line 16-16 of FIG. 1 through the vertical groove detail, it being understood that this sectional view also corresponds to the same vertical groove detail shown in FIGS. 2, 4, 5, 6, 7, 9, 10, 11, 12, 14, and 15.

1 Claim, 6 Drawing Sheets



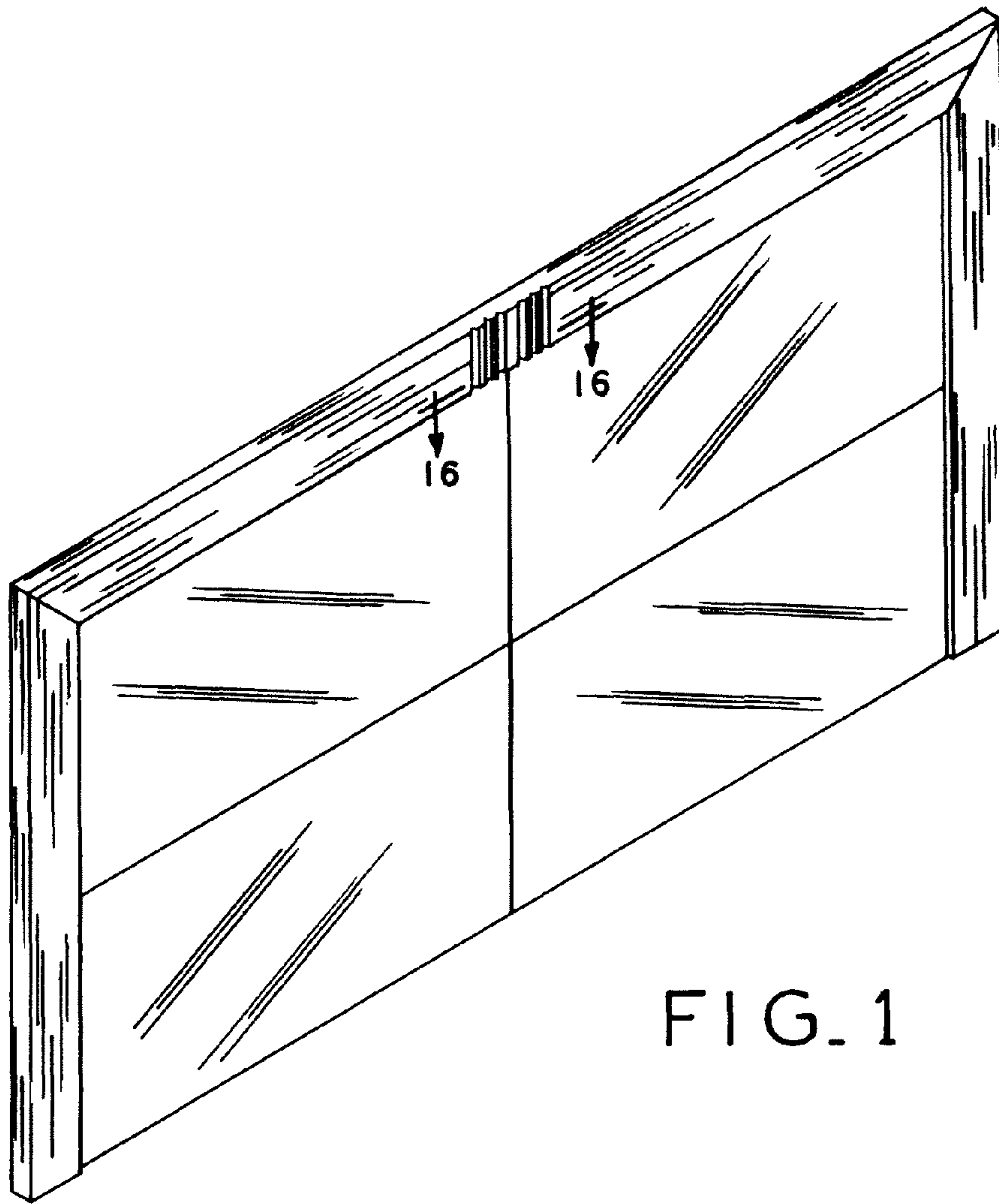


FIG. 1

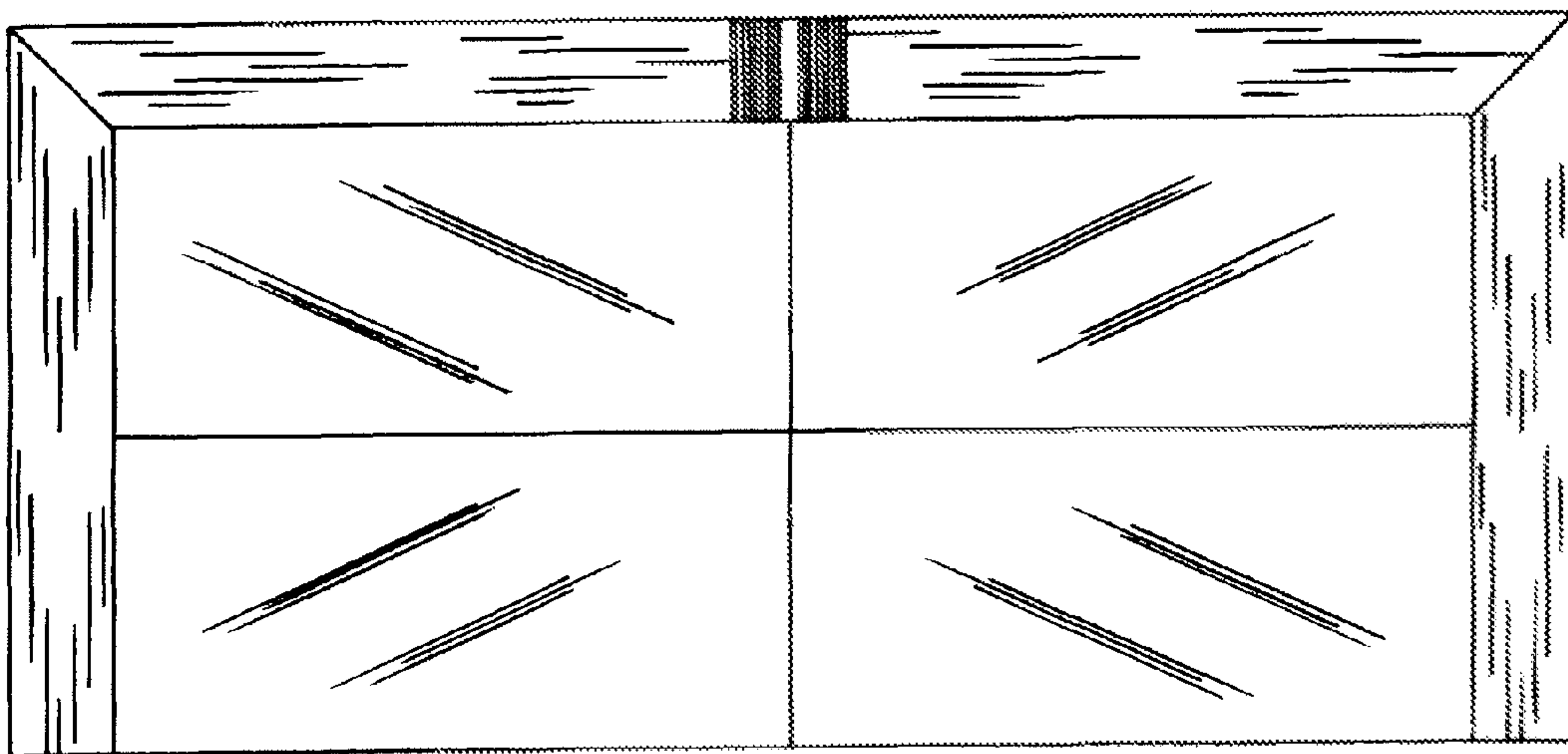


FIG. 2



FIG. 3



FIG. 4



FIG. 5

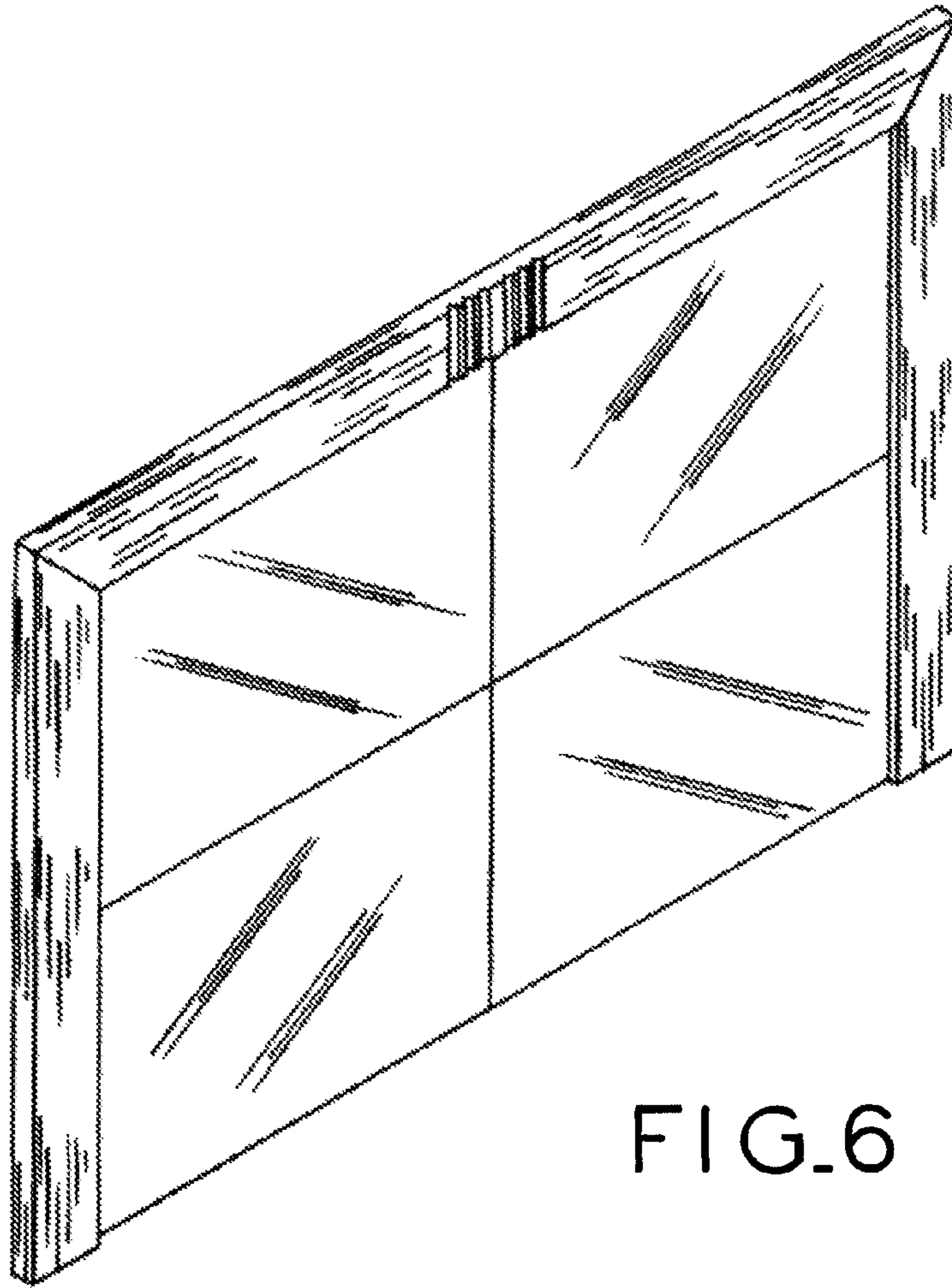


FIG. 6

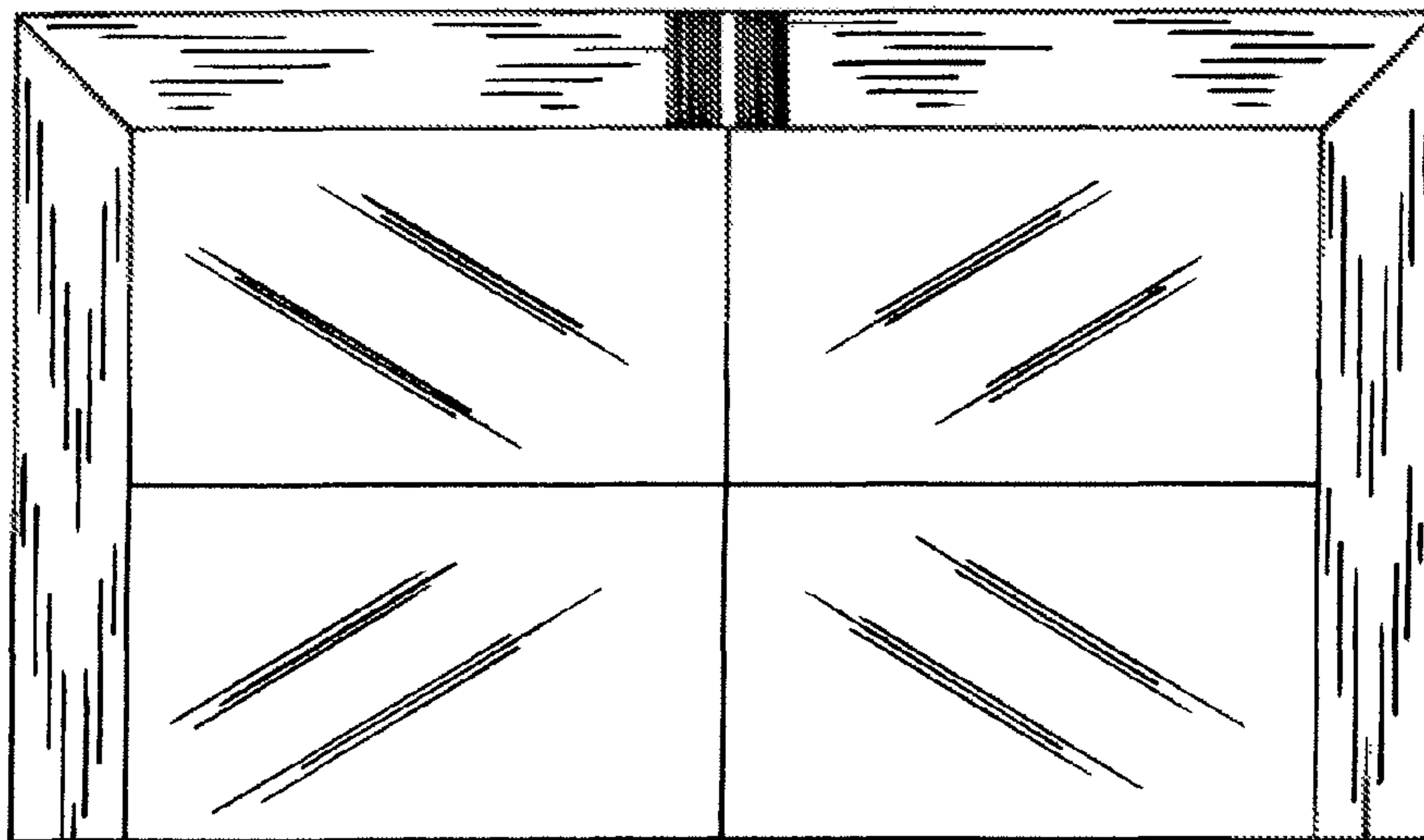


FIG. 7



FIG. 8



FIG. 9



FIG. 10

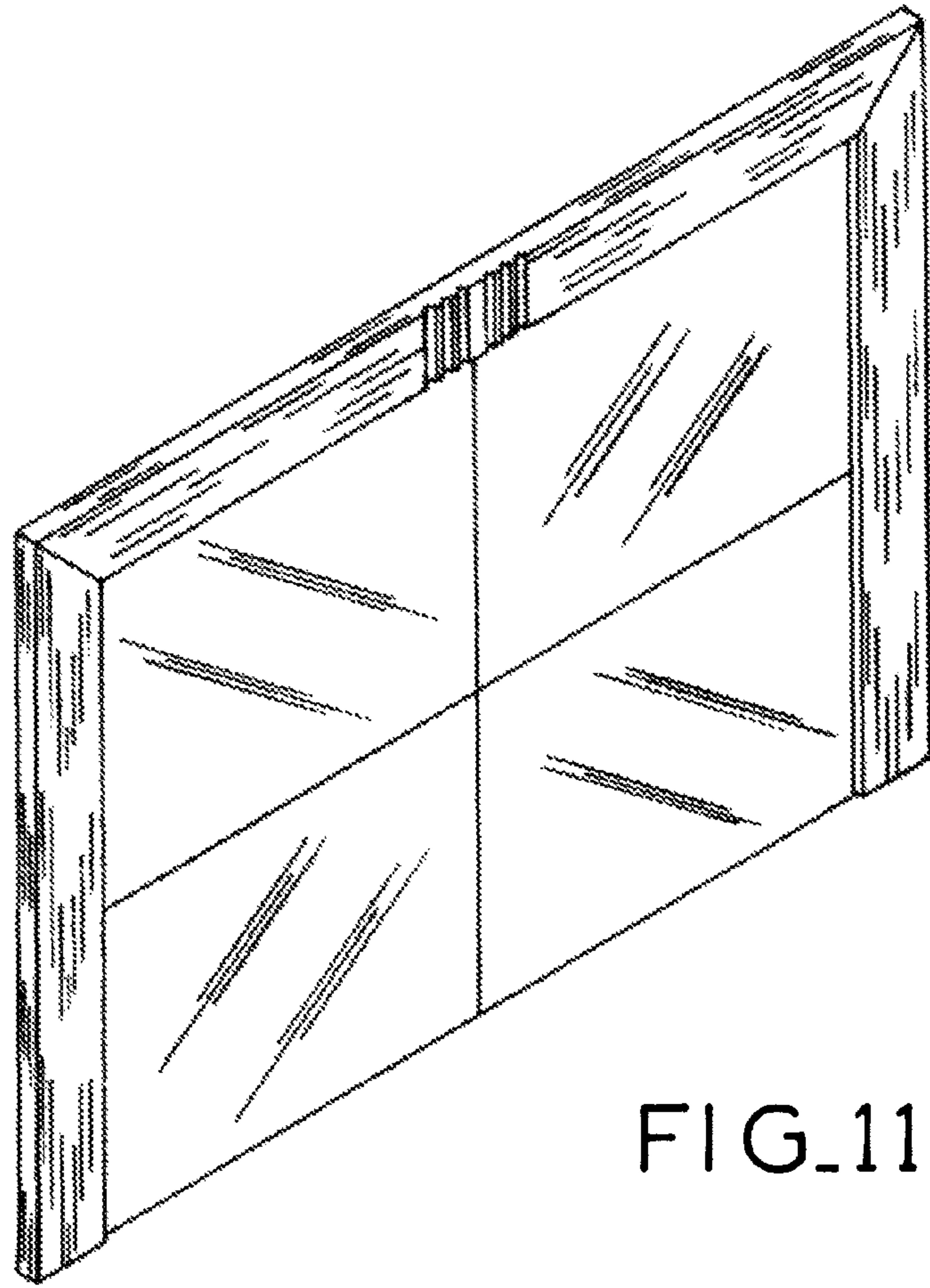


FIG. 11

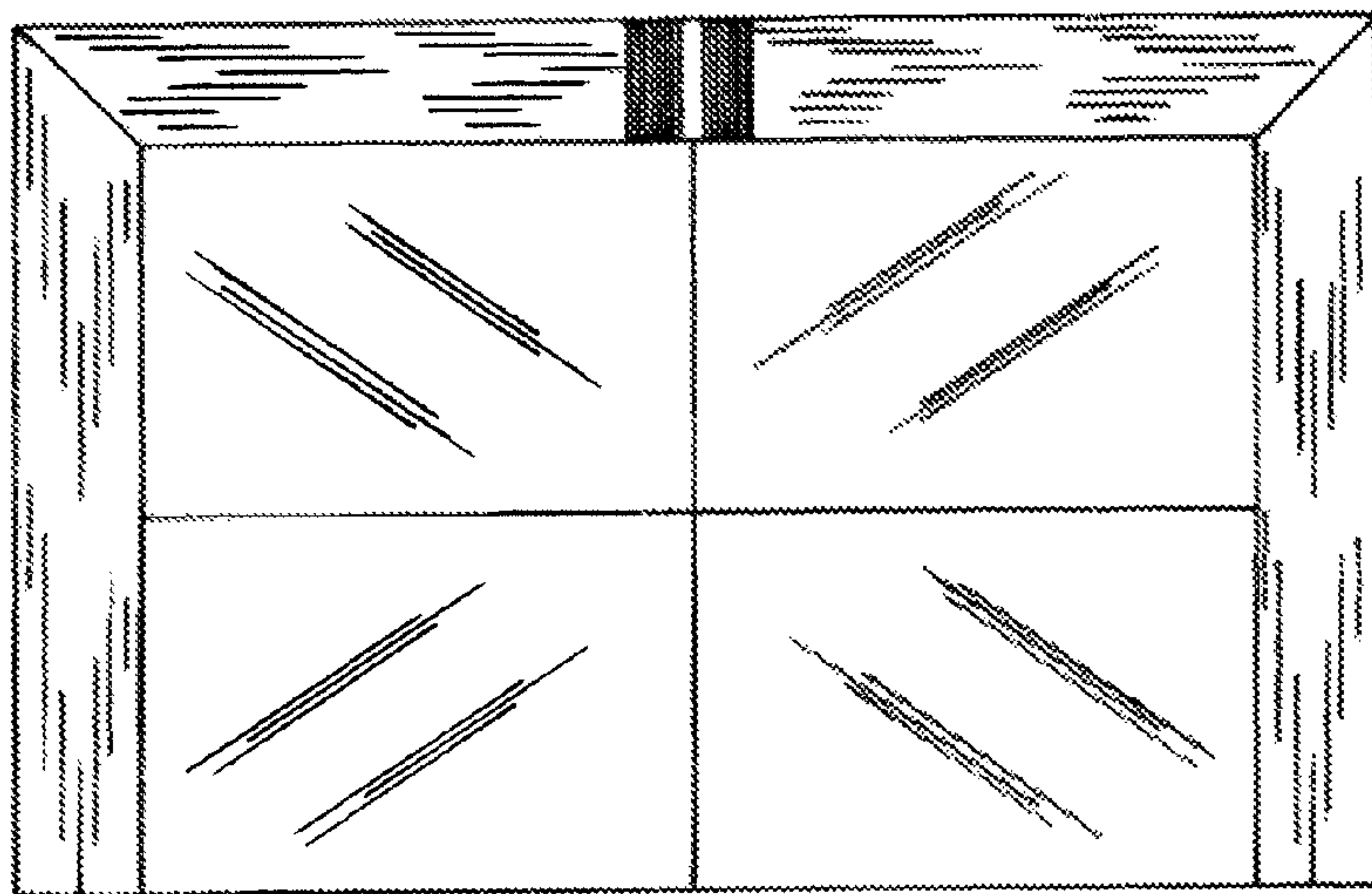


FIG. 12



FIG. 13



FIG. 14

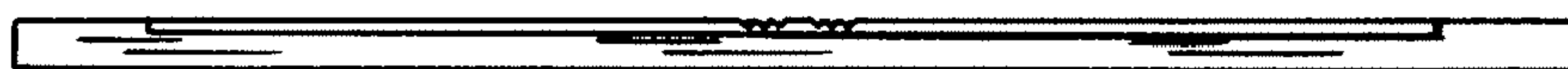


FIG. 15



FIG. 16