



US00D640888S

(12) **United States Design Patent**
Wahl et al.

(10) **Patent No.:** **US D640,888 S**
(45) **Date of Patent:** **** Jul. 5, 2011**

(54) **BED HEADBOARD**

(75) Inventors: **Paul J. Wahl**, Ferdinand, IN (US);
Sherry A. Foster, Jasper, IN (US);
Cynthia A. Wehr, Jasper, IN (US);
Deaderia W. Morris, Frederick, MD
(US)

(73) Assignee: **Kimball International, Inc.**, Jasper, IN
(US)

(**) Term: **14 Years**

(21) Appl. No.: **29/356,336**

(22) Filed: **Feb. 24, 2010**

(51) **LOC (9) Cl.** **06-06**

(52) **U.S. Cl.** **D6/505**

(58) **Field of Classification Search** D6/383,
D6/388, 392-395, 505-508, 492, 494; 5/53.1,
5/907, 279.1, 280, 281, 2.1, 600, 612, 620;
D25/138, 157

See application file for complete search history.

(56) **References Cited**

U.S. PATENT DOCUMENTS

1,724,740 A *	8/1929	Utzman	206/231
D96,148 S	7/1935	Walker		
D144,872 S	5/1946	Rhodes		
D175,195 S	7/1955	Streng		
D191,273 S *	9/1961	Knoll	D6/494
D195,470 S *	6/1963	Knoll	D6/494
D214,741 S	7/1969	Dean		
D233,873 S	12/1974	Mills		
D241,395 S	9/1976	Perl et al.		
D285,505 S	9/1986	Billiet		
D318,768 S	8/1991	Westland et al.		
D334,478 S	4/1993	Rogers		
D341,732 S	11/1993	Ferguson		
D343,073 S	1/1994	Black		
D371,017 S	6/1996	Walters, III et al.		
D407,245 S	3/1999	Lewis		
D440,071 S	4/2001	Hutton		

D451,700 S	12/2001	Vaaler		
D485,451 S	1/2004	De Blois		
D488,640 S	4/2004	Domack		
D498,370 S	11/2004	Paus		
D504,251 S	4/2005	Kreiss		
D504,256 S *	4/2005	Ritossa et al.	D6/505
D507,440 S *	7/2005	Juneau et al.	D6/505
D529,309 S	10/2006	Juneau et al.		
D540,570 S	4/2007	Bibi		
D546,589 S	7/2007	Kreiss		
D569,127 S	5/2008	Kanhasamy		
D575,964 S	9/2008	Liu		

* cited by examiner

Primary Examiner — Janice Seeger

(74) *Attorney, Agent, or Firm* — Baker & Daniels LLP

(57) **CLAIM**

The ornamental design for a bed headboard, as shown and described.

DESCRIPTION

FIG. 1 is a front perspective view of a bed headboard according to a first embodiment;

FIG. 2 is a front view thereof;

FIG. 3 is a left side view thereof; and

FIG. 4 is a right side view thereof.

FIG. 5 is a front perspective view of a bed headboard design according to a second embodiment, the design having a width less than that of the first embodiment; and

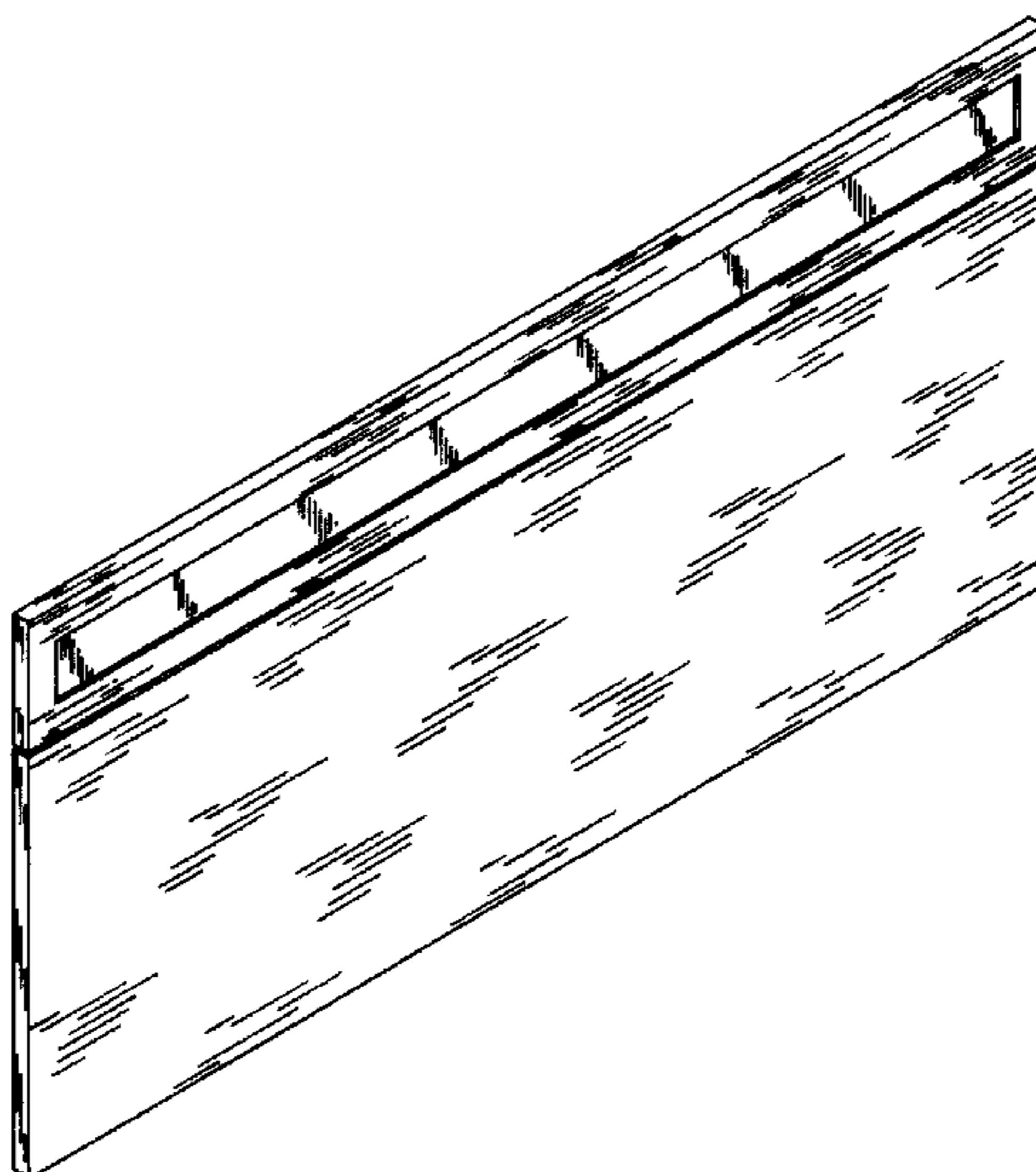
FIG. 6 is a front view thereof, it being understood that the left and right side views are identical to those of the first embodiment.

FIG. 7 is a front perspective view of a bed headboard design according to a third embodiment, the design having a width less than that of the second embodiment; and,

FIG. 8 is a front view thereof, it being understood that the left and right side views are identical to those of the first embodiment.

The rear and bottom of the bed headboard form no part of the claimed design.

1 Claim, 4 Drawing Sheets



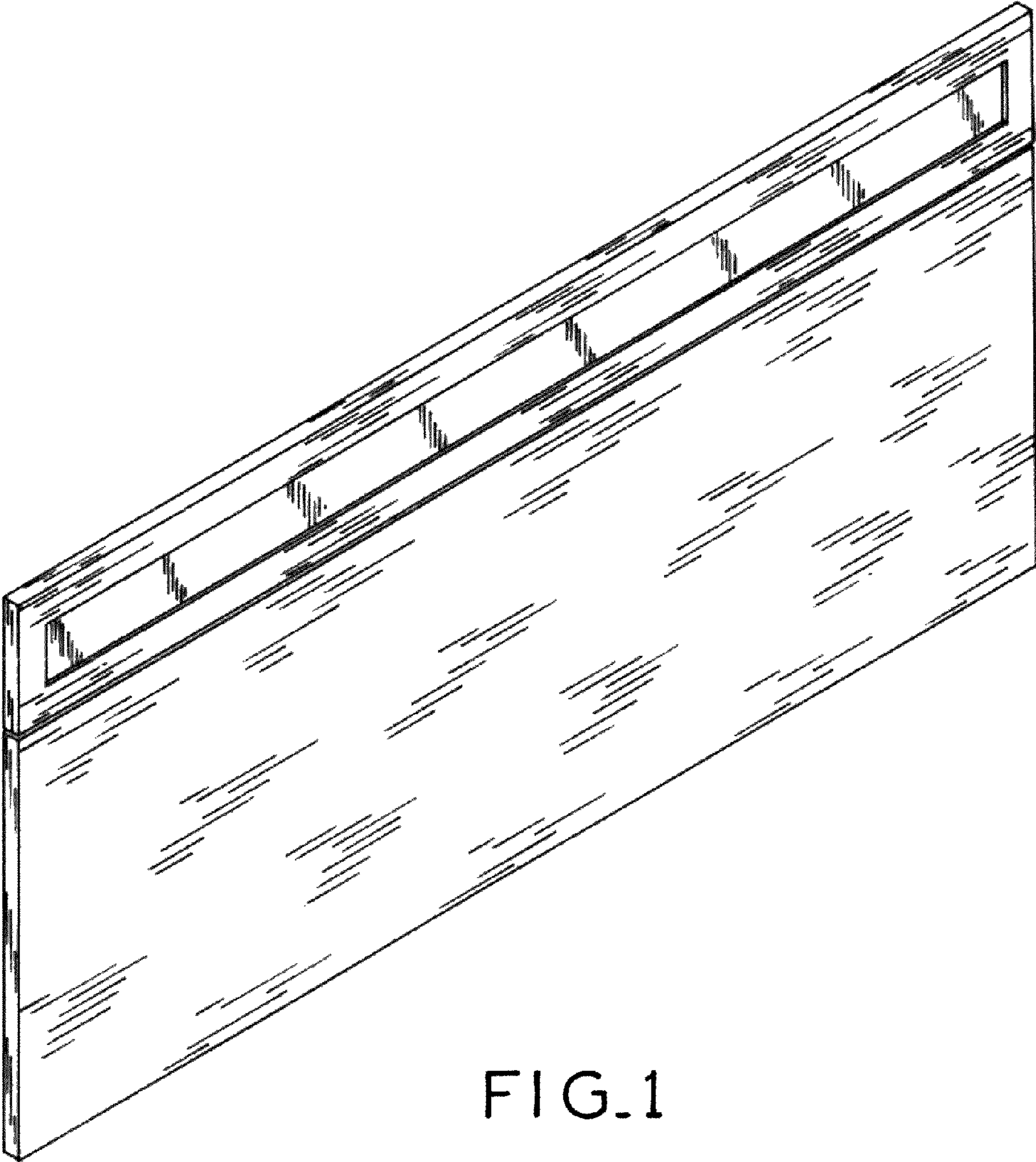


FIG.1



FIG. 4

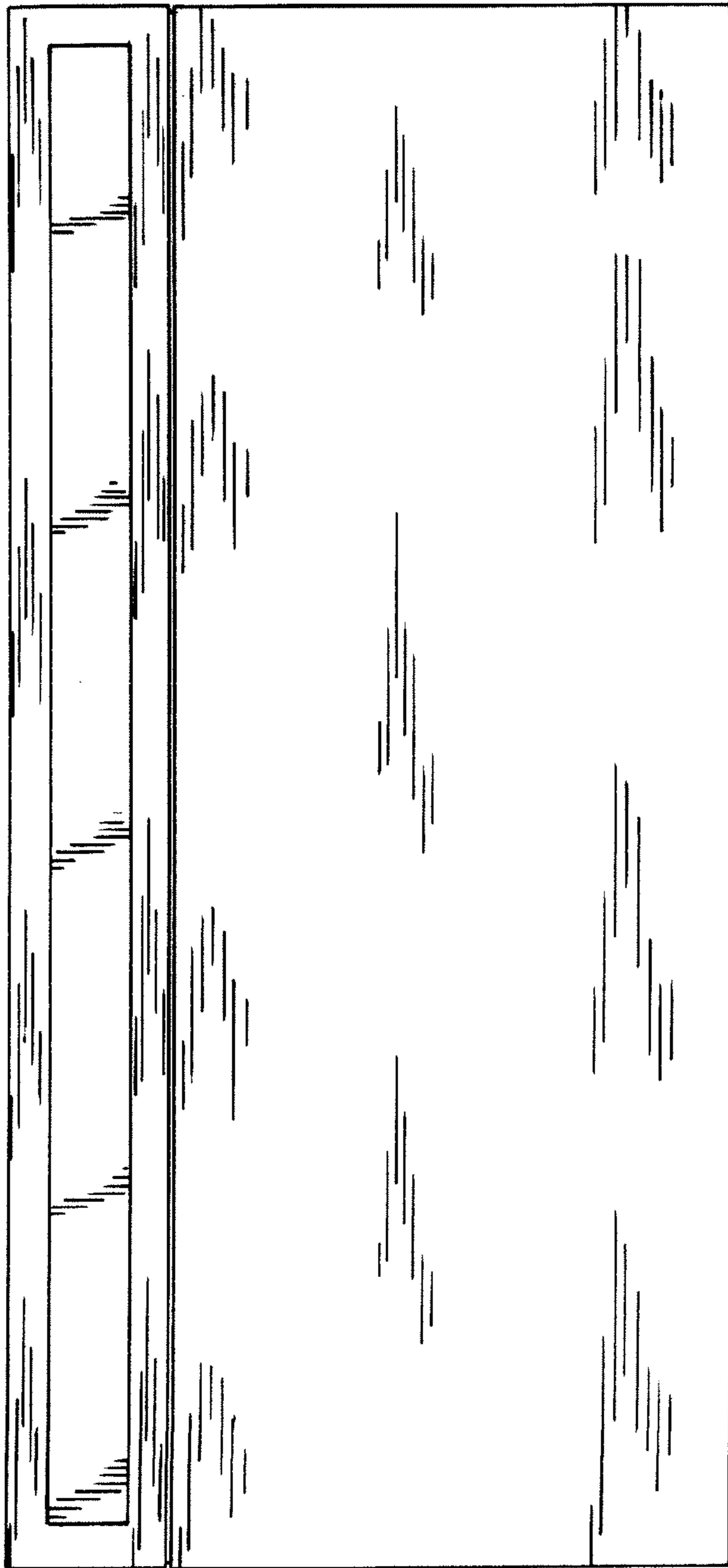


FIG. 2



FIG. 3

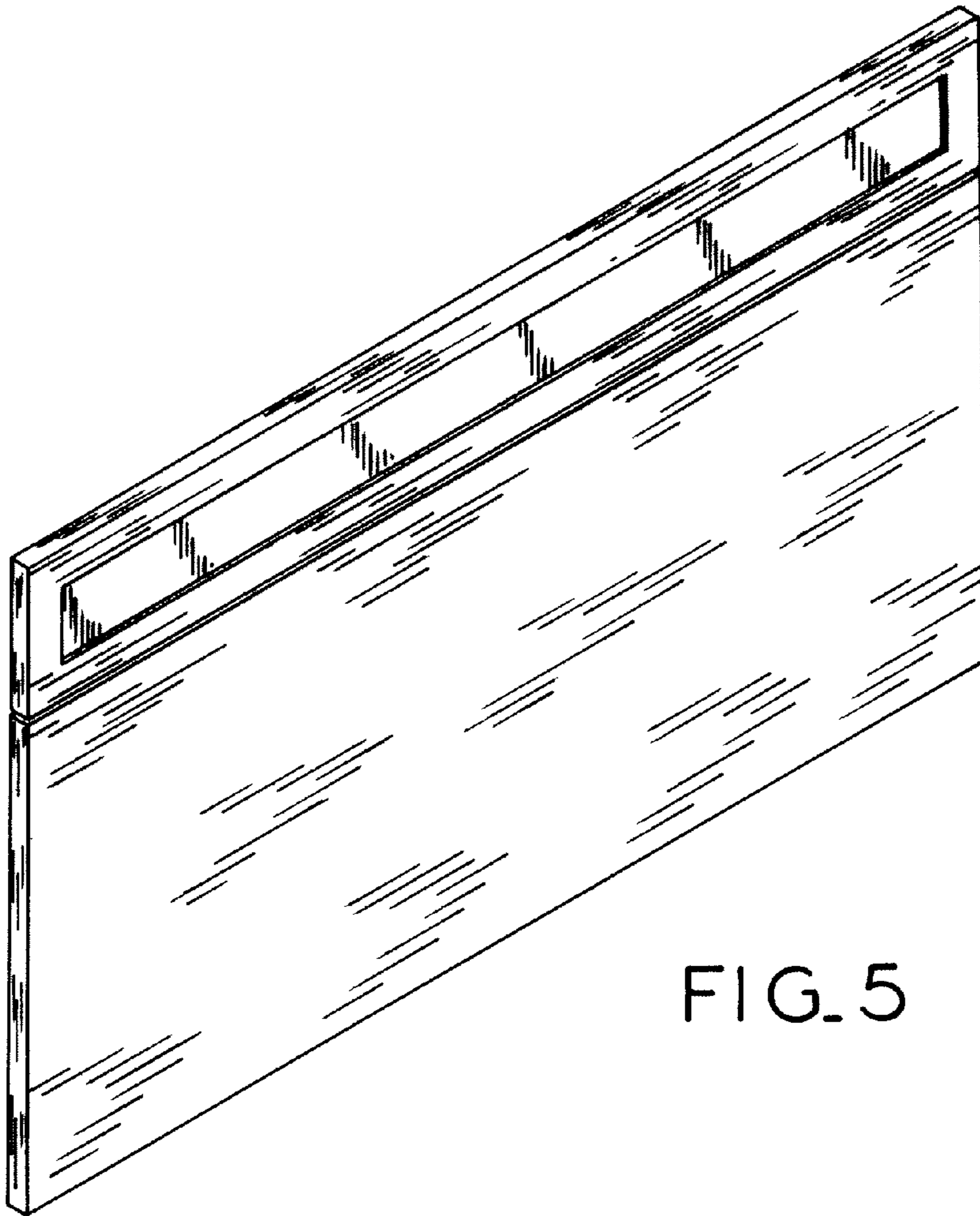


FIG. 5

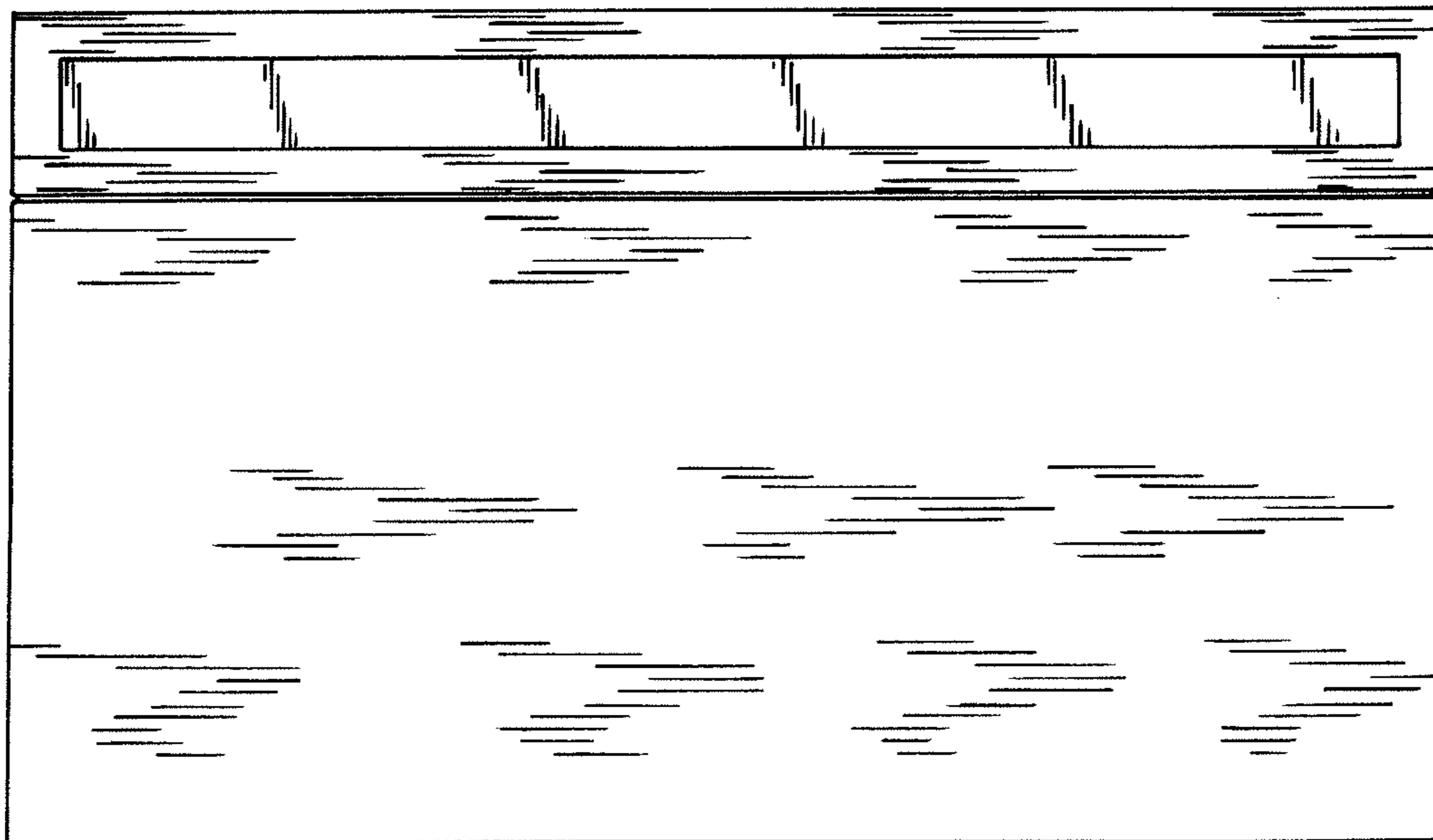


FIG. 6

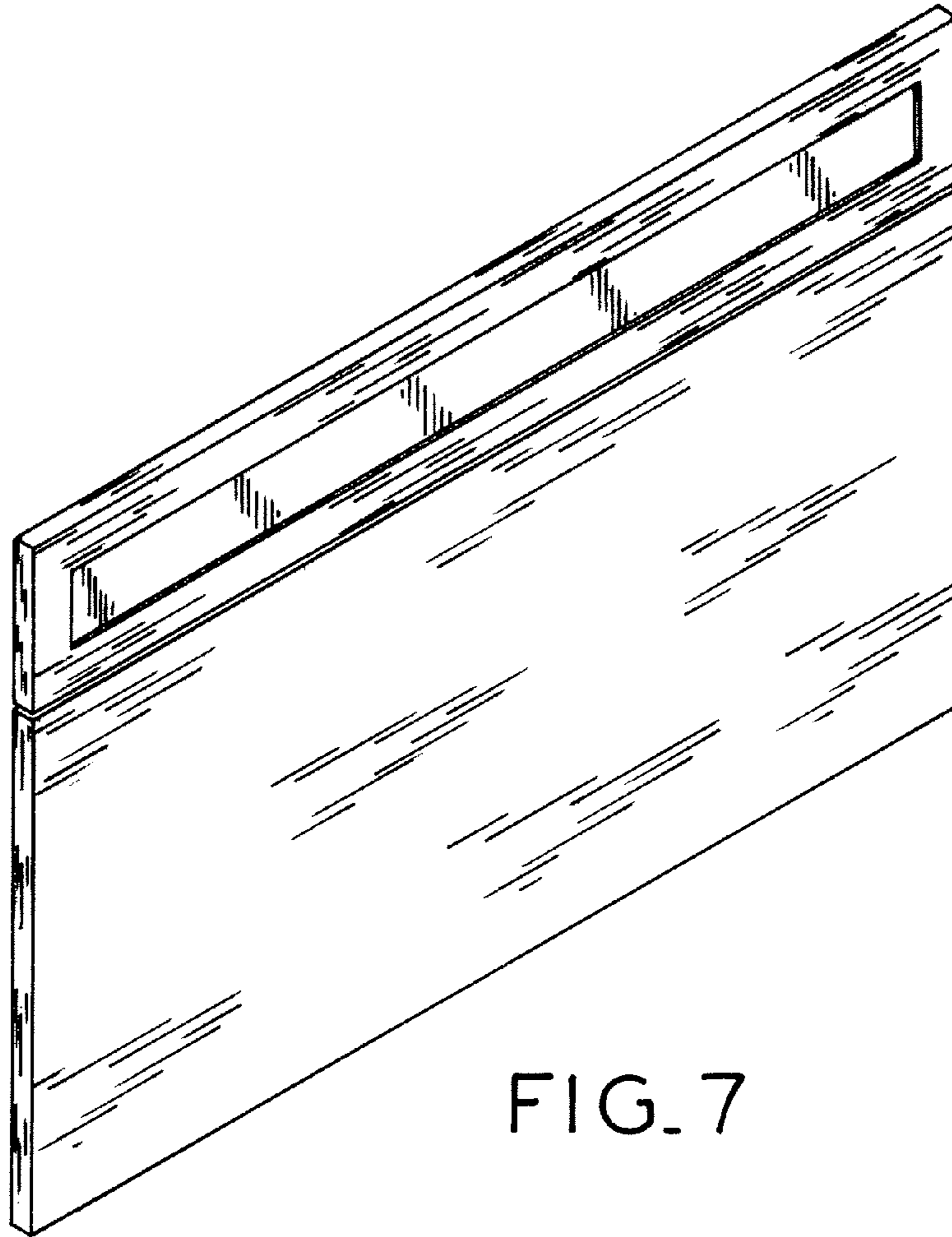


FIG. 7

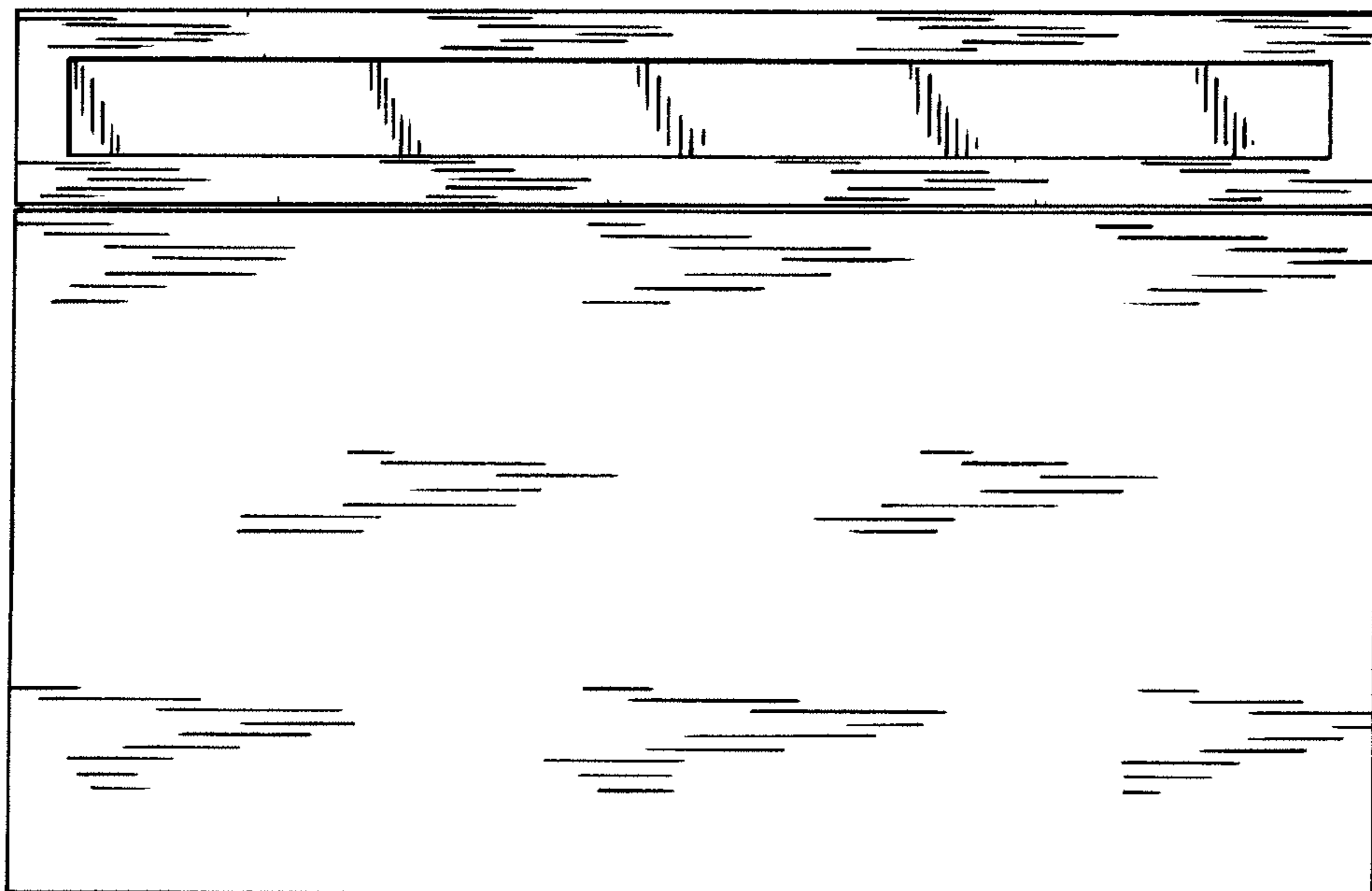


FIG. 8