



US00D640885S

(12) **United States Design Patent**
Clark

(10) **Patent No.:** **US D640,885 S**

(45) **Date of Patent:** **** Jul. 5, 2011**

(54) **TABLE**

(75) Inventor: **David A. Clark**, Charlotte, NC (US)

(73) Assignee: **Universal Furniture International, Inc.**, High Point, NC (US)

(**) Term: **14 Years**

(21) Appl. No.: **29/356,911**

(22) Filed: **Mar. 4, 2010**

(51) **LOC (9) Cl.** **06-03**

(52) **U.S. Cl.** **D6/480**

(58) **Field of Classification Search** D6/480-489,
D6/495, 499, 451, 429-431; 108/153.1,
108/156, 157, 161; 248/188, 188.1, 188.7,
248/188.8

See application file for complete search history.

(56) **References Cited**

U.S. PATENT DOCUMENTS

D90,849 S	*	10/1933	Kayser	D6/430
D249,858 S	*	10/1978	Gageby	D6/485
D442,391 S	*	5/2001	Wu	D6/436
D454,732 S	*	3/2002	Frenkler et al.	D6/480
D511,911 S	*	11/2005	Light et al.	D6/480
D530,941 S	*	10/2006	Domack et al.	D6/480

* cited by examiner

Primary Examiner — Janice Seeger

(74) *Attorney, Agent, or Firm* — MacCord Mason PLLC

(57) **CLAIM**

The ornamental design for a table, as shown and described.

DESCRIPTION

FIG. 1 is a front perspective view of a table, showing my new design;

FIG. 2 is a front elevational view of the table of FIG. 1, the rear being a mirror image thereof;

FIG. 3 is a front elevational view of the table with an extension leaf inserted;

FIG. 4 is a side elevational view of the table of FIG. 1, the opposite side being a mirror image thereof;

FIG. 5 is a top plan view of the table of FIG. 1;

FIG. 6 is a front perspective view of a table, showing an alternate embodiment of my new design;

FIG. 7 is a front elevational view of the table of FIG. 6, the rear being a mirror image thereof;

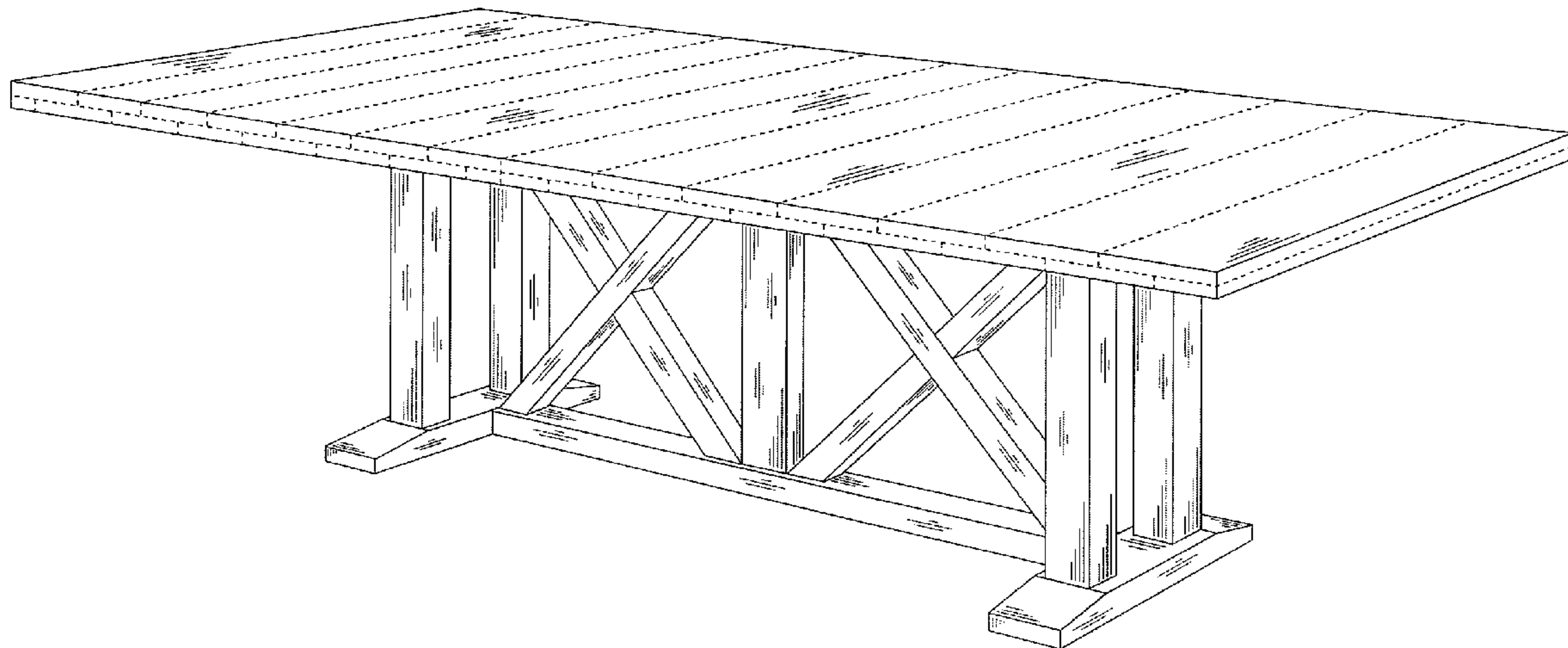
FIG. 8 is a front elevational view of the table of FIG. 6 with an extension leaf inserted;

FIG. 9 is a side elevational view of the table of FIG. 6, the opposite side being a mirror image thereof; and,

FIG. 10 is a top plan view of the table of FIG. 6.

The elements shown in dotted lines are for illustrative purposes only and form no part of the claimed design.

1 Claim, 10 Drawing Sheets



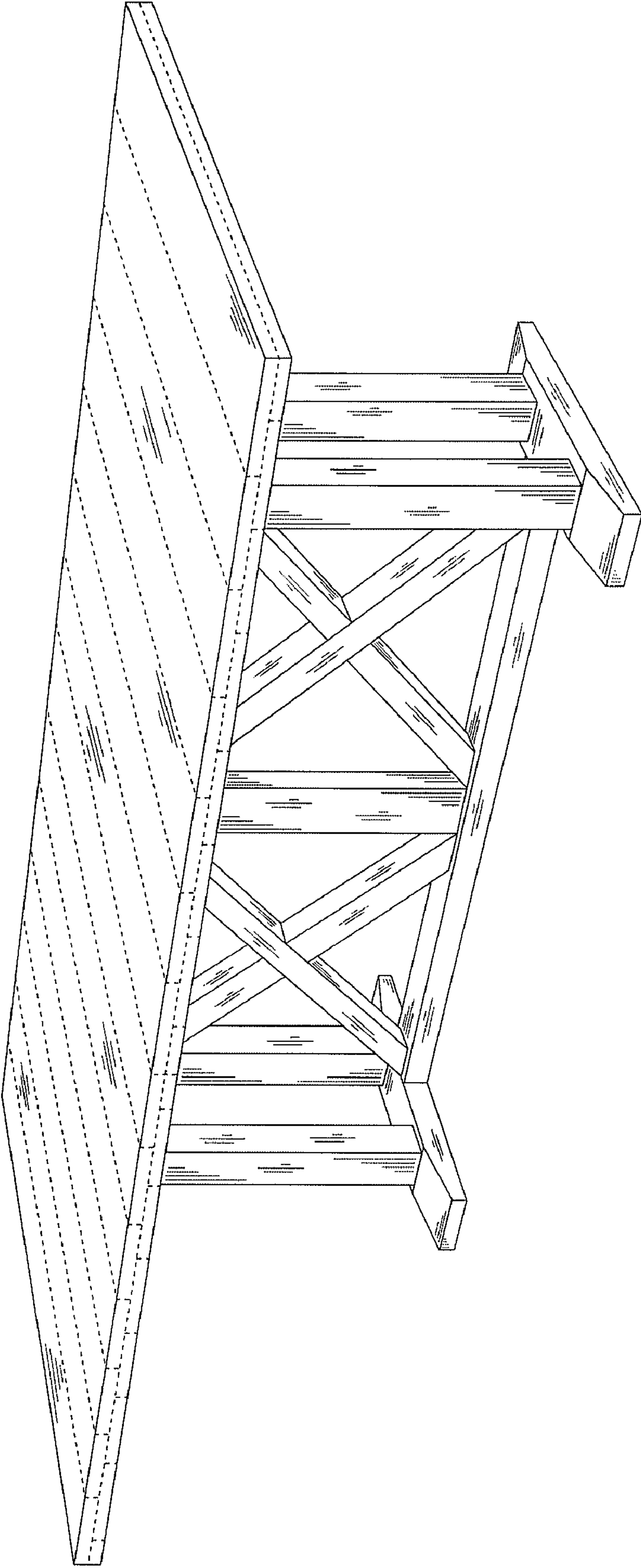


FIG. 1

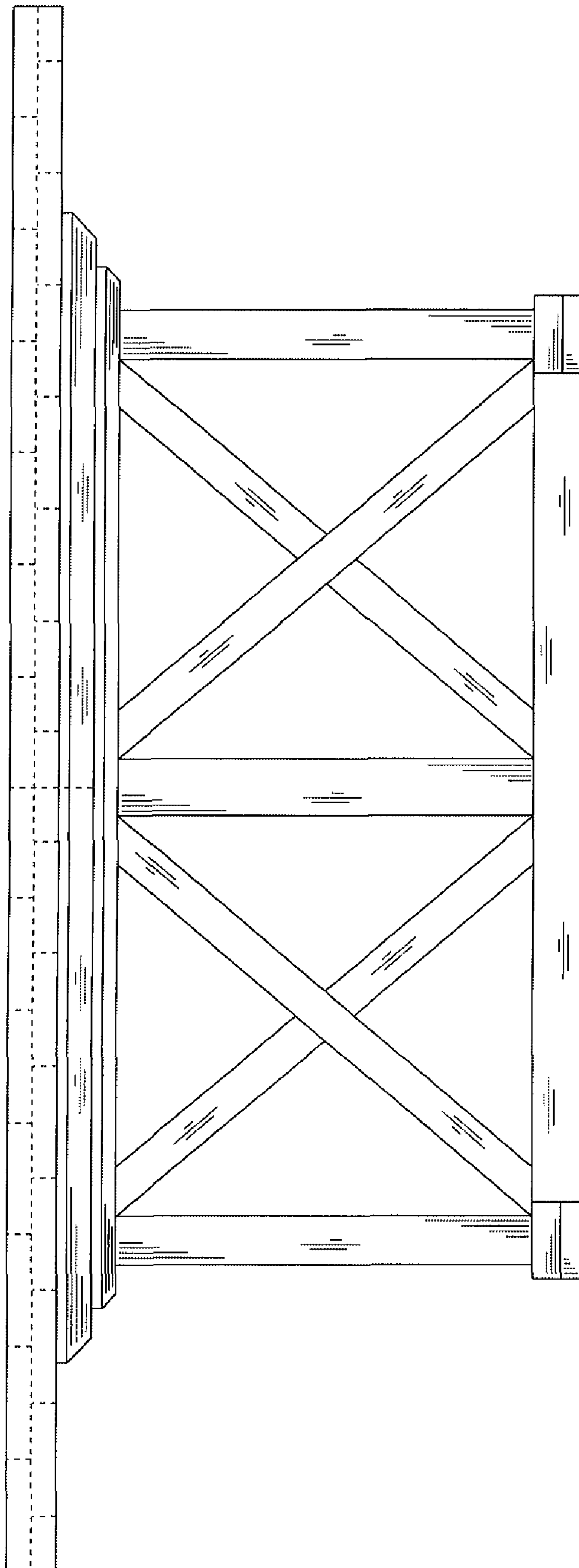


FIG. 2

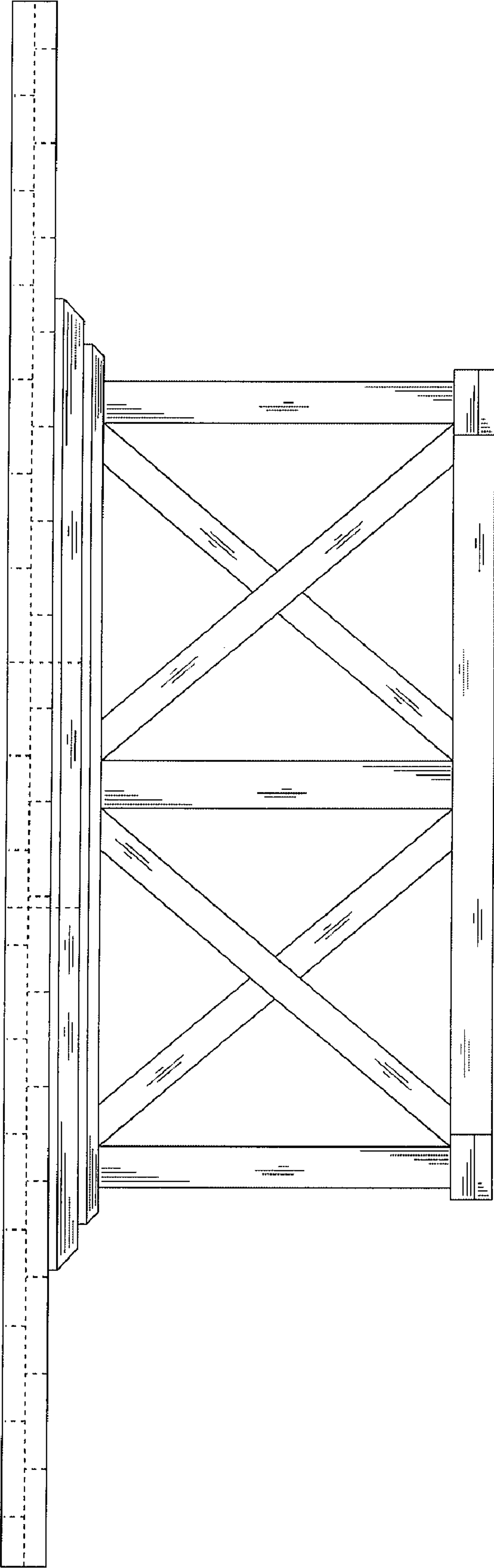


FIG. 3

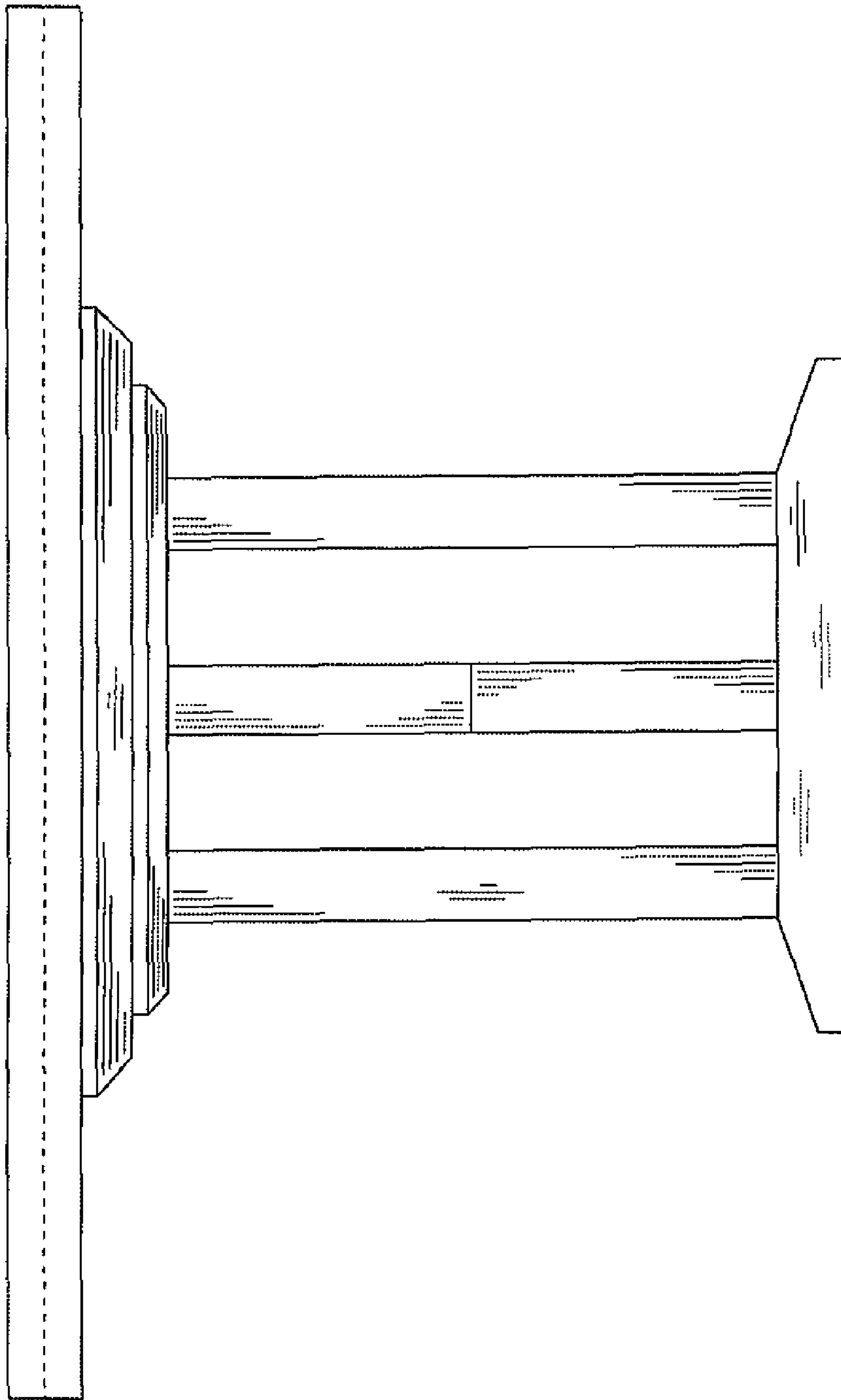


FIG. 4

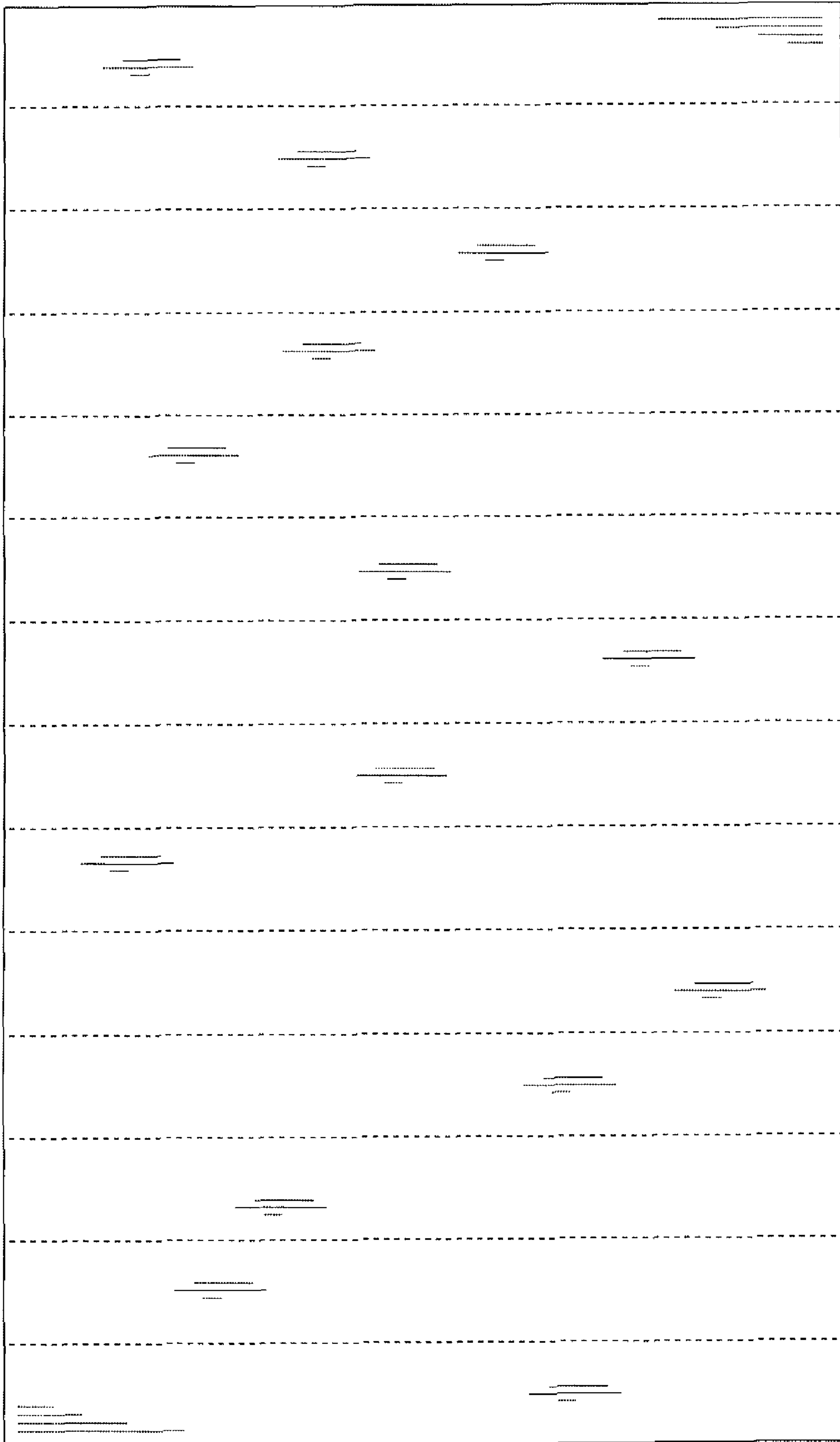


FIG. 5

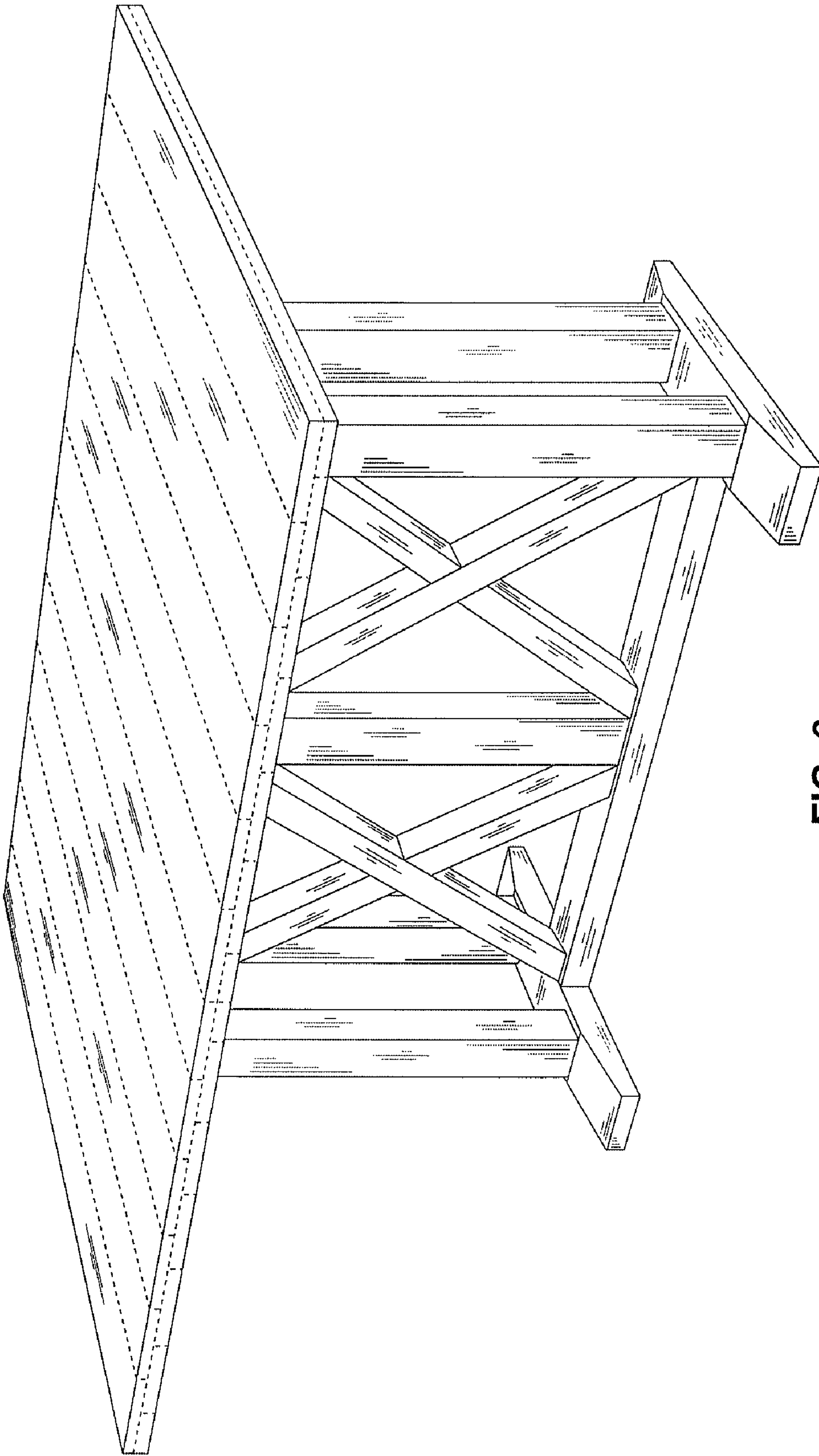


FIG. 6

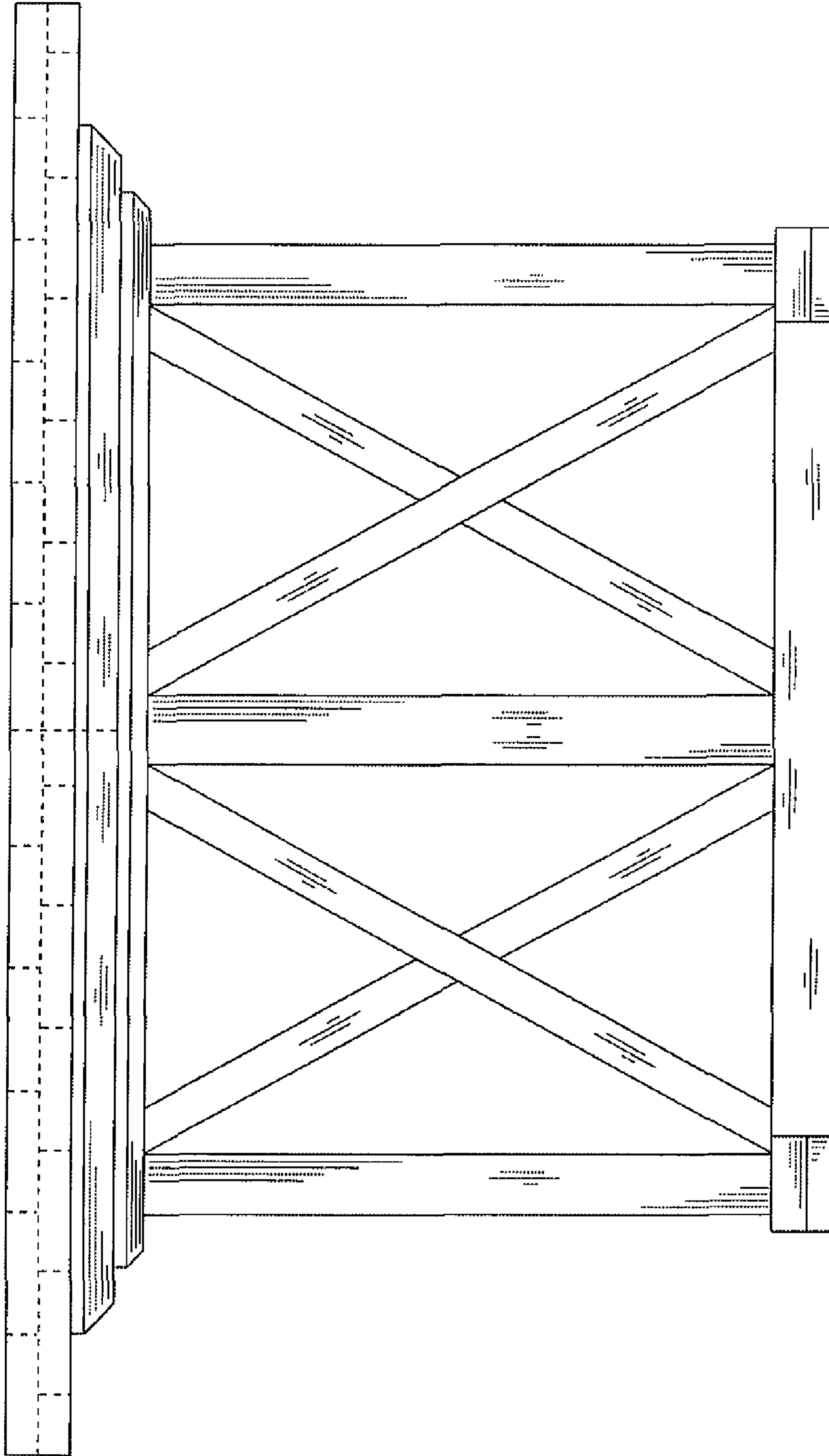


FIG. 7

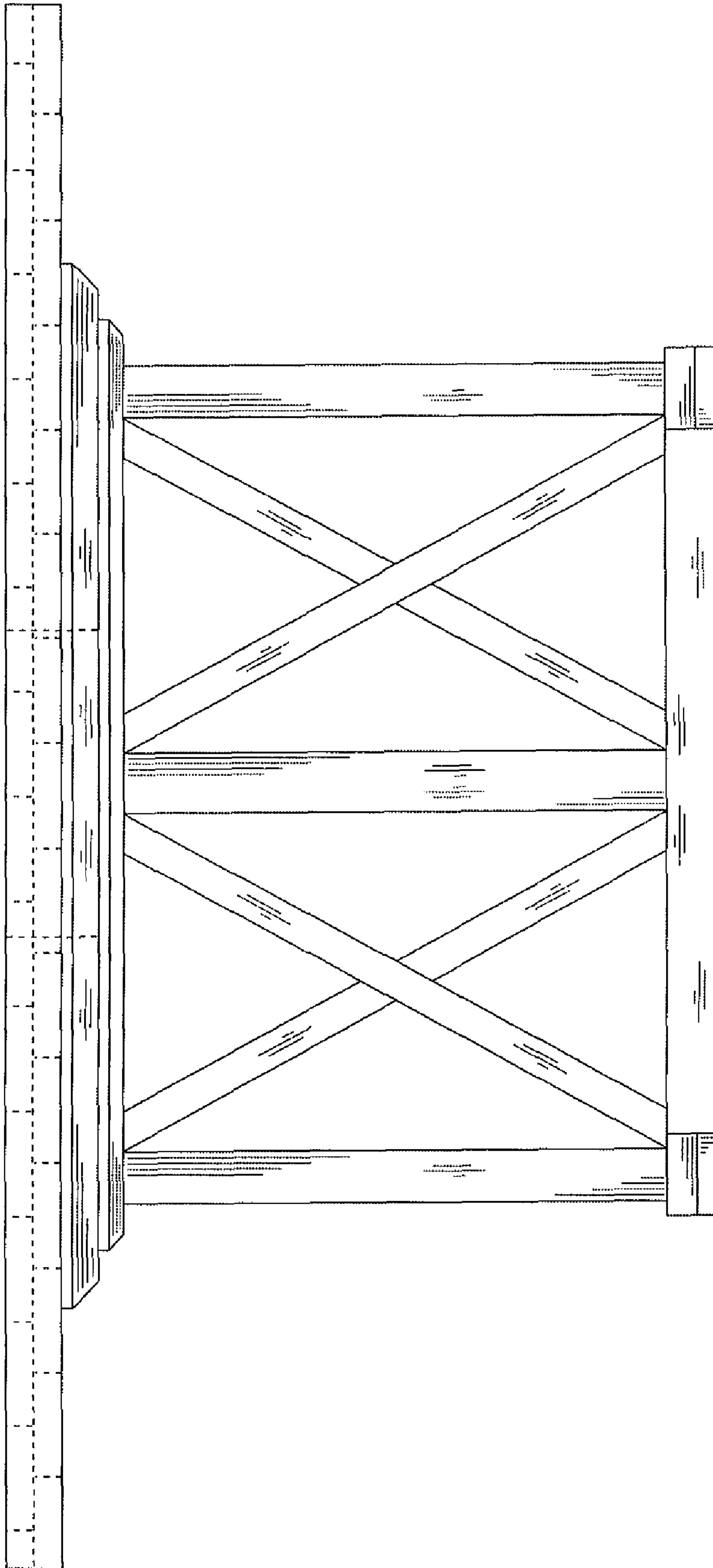


FIG. 8

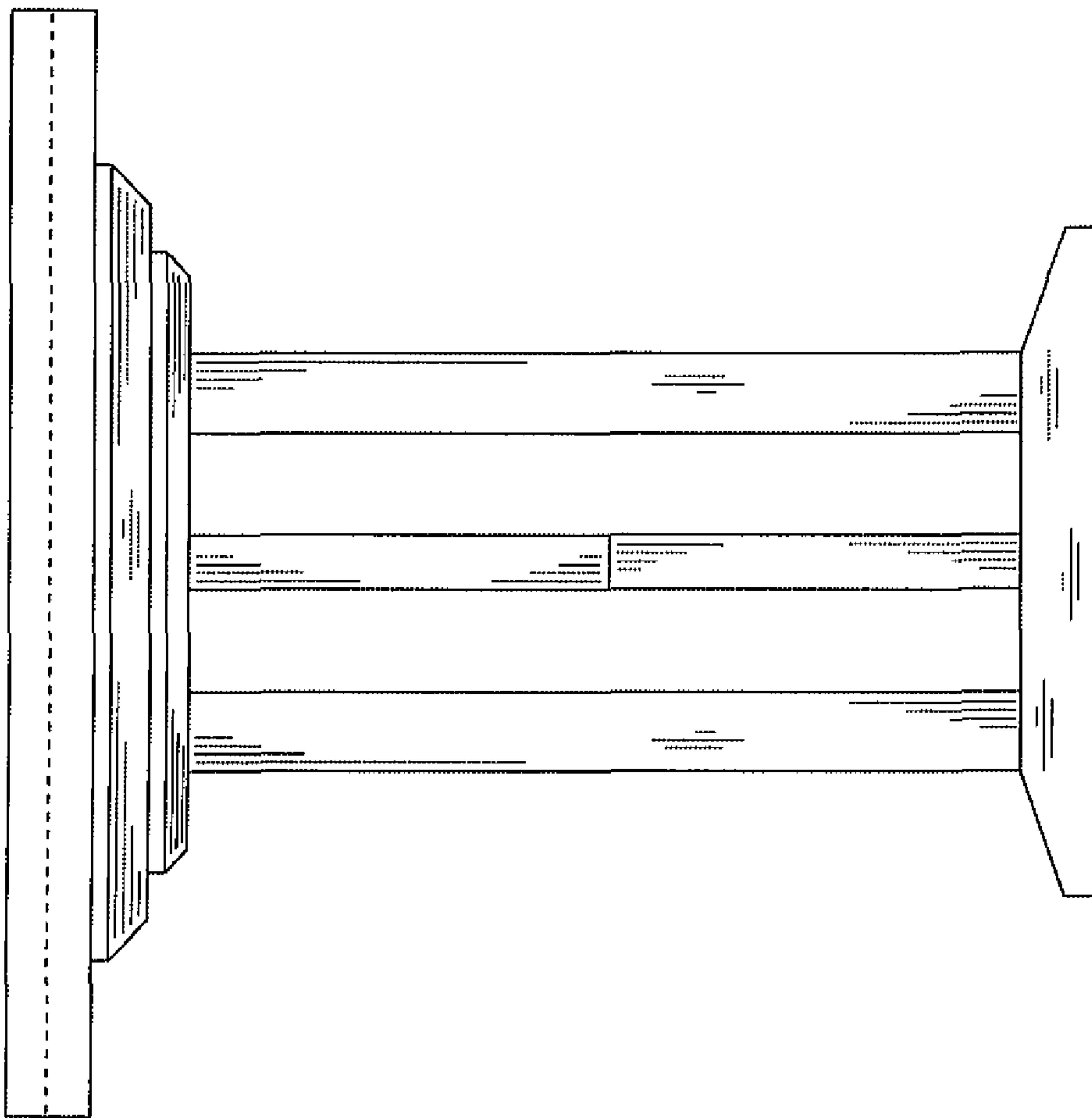


FIG. 9

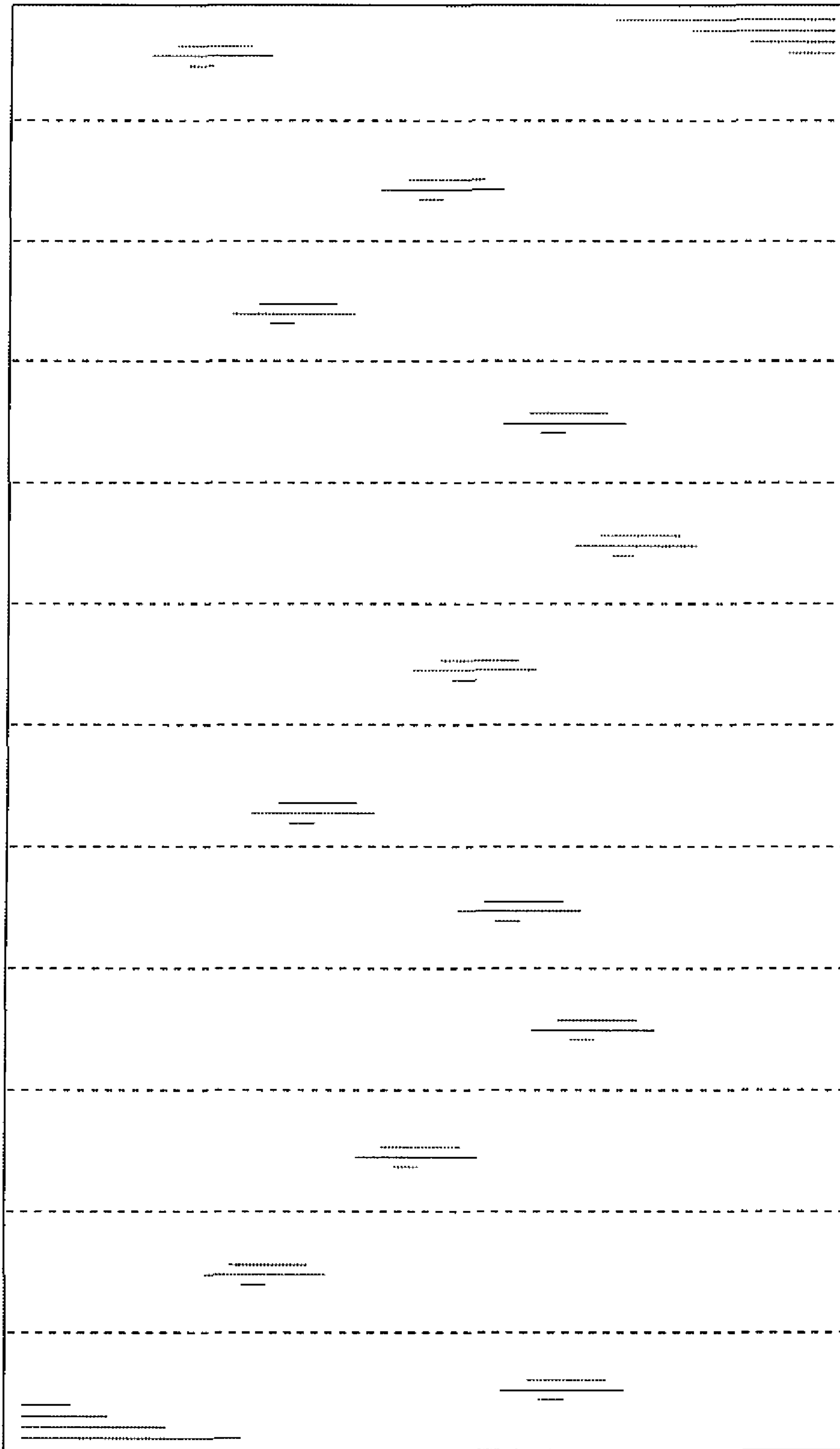


FIG. 10