

US00D640884S

(12) **United States Design Patent**
Tiemann

(10) **Patent No.:** **US D640,884 S**

(45) **Date of Patent:** **** Jul. 5, 2011**

(54) **CAROUSEL FOR HOLDING COSMETICS**
(75) Inventor: **Frank R. Tiemann**, Madison Lake, MN
(US)
(73) Assignee: **Nifty Home Products, Inc.**, Madison
Lake, MN (US)

(**) Term: **14 Years**

(21) Appl. No.: **29/382,500**

(22) Filed: **Jan. 4, 2011**

(51) **LOC (9) Cl.** **06-04**

(52) **U.S. Cl.** **D6/458**

(58) **Field of Classification Search** D6/396,
D6/397, 409, 410, 449, 450, 453-470; 211/1,
211/13.1, 69.1, 70, 70.1, 70.6, 74, 77, 78,
211/85.1, 85.2, 85.4, 85.5, 85.31, 126.9,
211/134, 191.1, 182; D3/306; D7/600.1,
D7/600.2, 707; 220/485

See application file for complete search history.

(56) **References Cited**

U.S. PATENT DOCUMENTS

74,945	A	*	2/1868	Sherwood	211/74
RE6,125	E	*	11/1874	Sherwood	211/74
D190,107	S	*	4/1961	Glaser	D6/458
D191,812	S	*	11/1961	Tirlet	D6/458
D239,579	S	*	4/1976	Taub	D6/458
D314,294	S	*	2/1991	Axhamre	D6/458
D418,998	S	*	1/2000	Glassenberg	D6/458
D513,874	S	*	1/2006	Hardy et al.	D3/306
D527,205	S	*	8/2006	Axhamre	D6/458

D536,936	S	2/2007	Tiemann	
D544,308	S	6/2007	Tiemann	
D567,553	S	*	4/2008	Post et al. D6/510
D586,185	S	2/2009	Tiemann	
D609,057	S	2/2010	Hertaus	
D609,533	S	2/2010	Tiemann	
D617,124	S	6/2010	Snider	
D620,280	S	7/2010	Snider	
D621,640	S	8/2010	Tiemann	
D626,382	S	11/2010	Tiemann	
D629,655	S	12/2010	Tiemann	
D634,978	S	3/2011	Tiemann	
2005/0077299	A1	*	4/2005	Cheng et al. 220/485
2007/0045206	A1	3/2007	Tiemann	

* cited by examiner

Primary Examiner — Mary Ann Calabrese

(74) *Attorney, Agent, or Firm* — Thomas J. Nikolai; Nikolai & Mersereau, P.A.

(57) **CLAIM**

The ornamental design for the “carousel for holding cosmetics,” as shown and described.

DESCRIPTION

FIG. 1 is a perspective view of the carousel for holding cosmetics;

FIG. 2 is a front view thereof;

FIG. 3 is a top view thereof;

FIG. 4 is a side view thereof;

FIG. 5 is a back view thereof;

FIG. 6 is a second side view thereof; and,

FIG. 7 is a bottom view thereof.

1 Claim, 7 Drawing Sheets

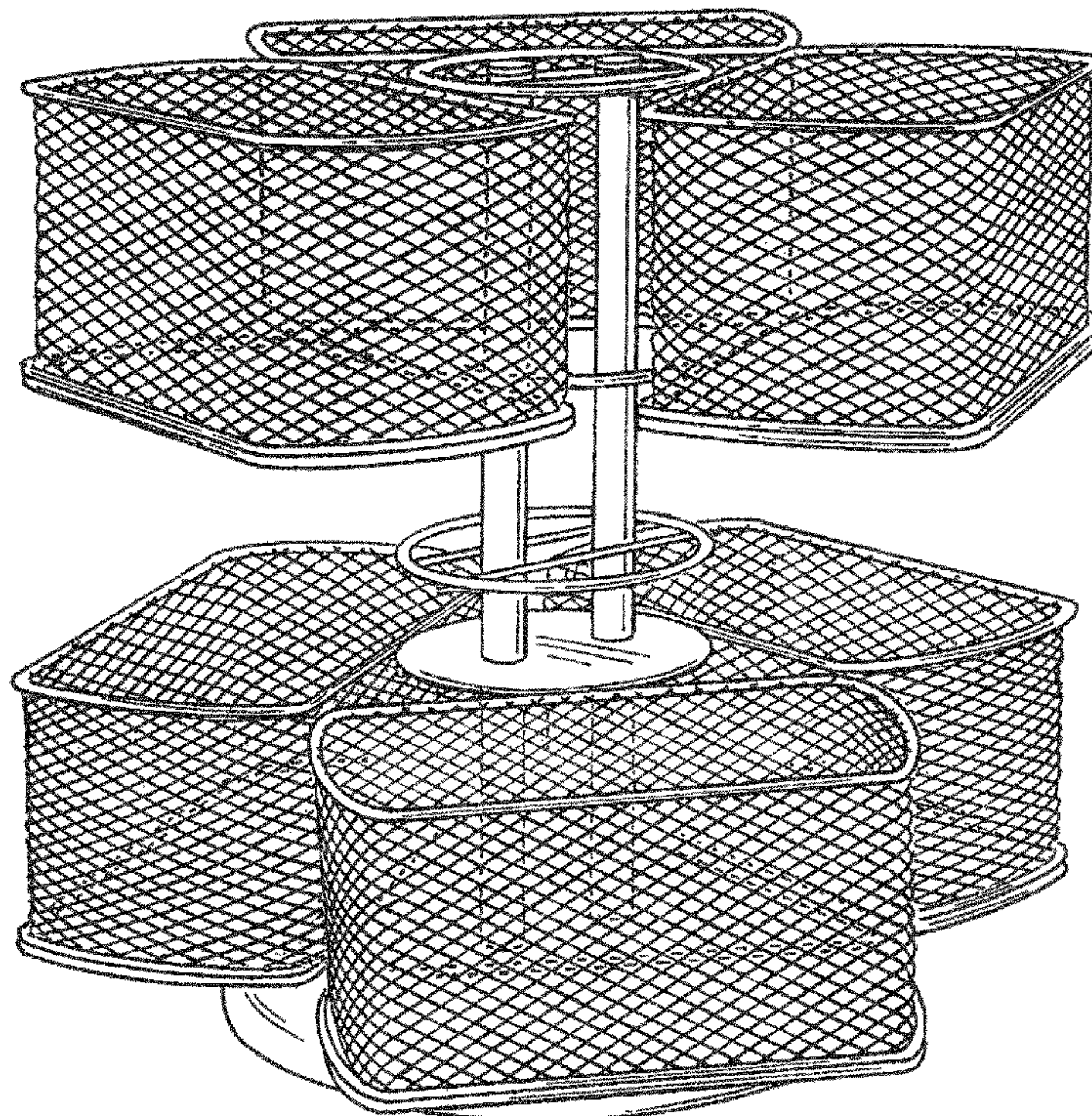


FIG. 1

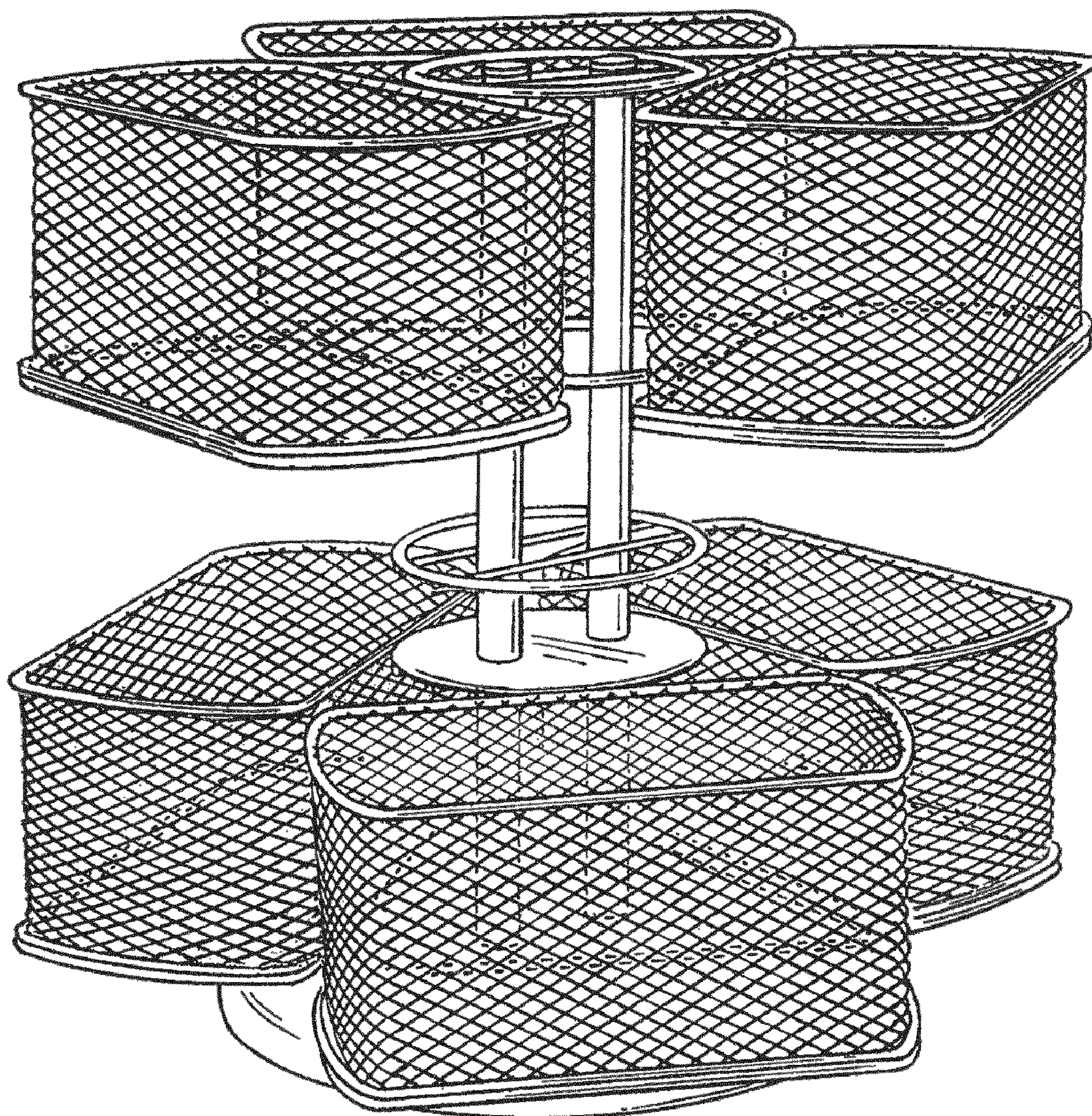


FIG. 2

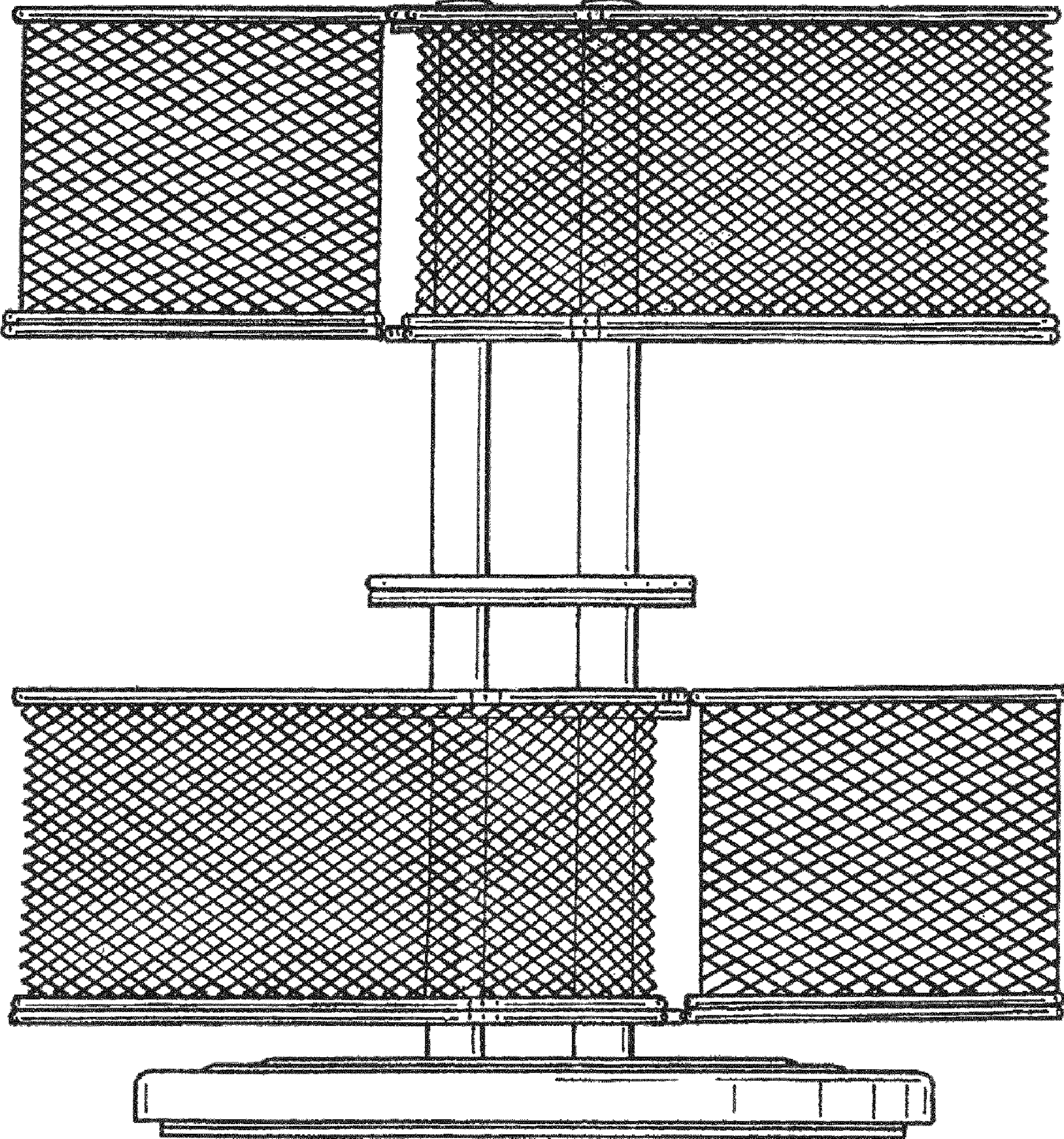


FIG. 3

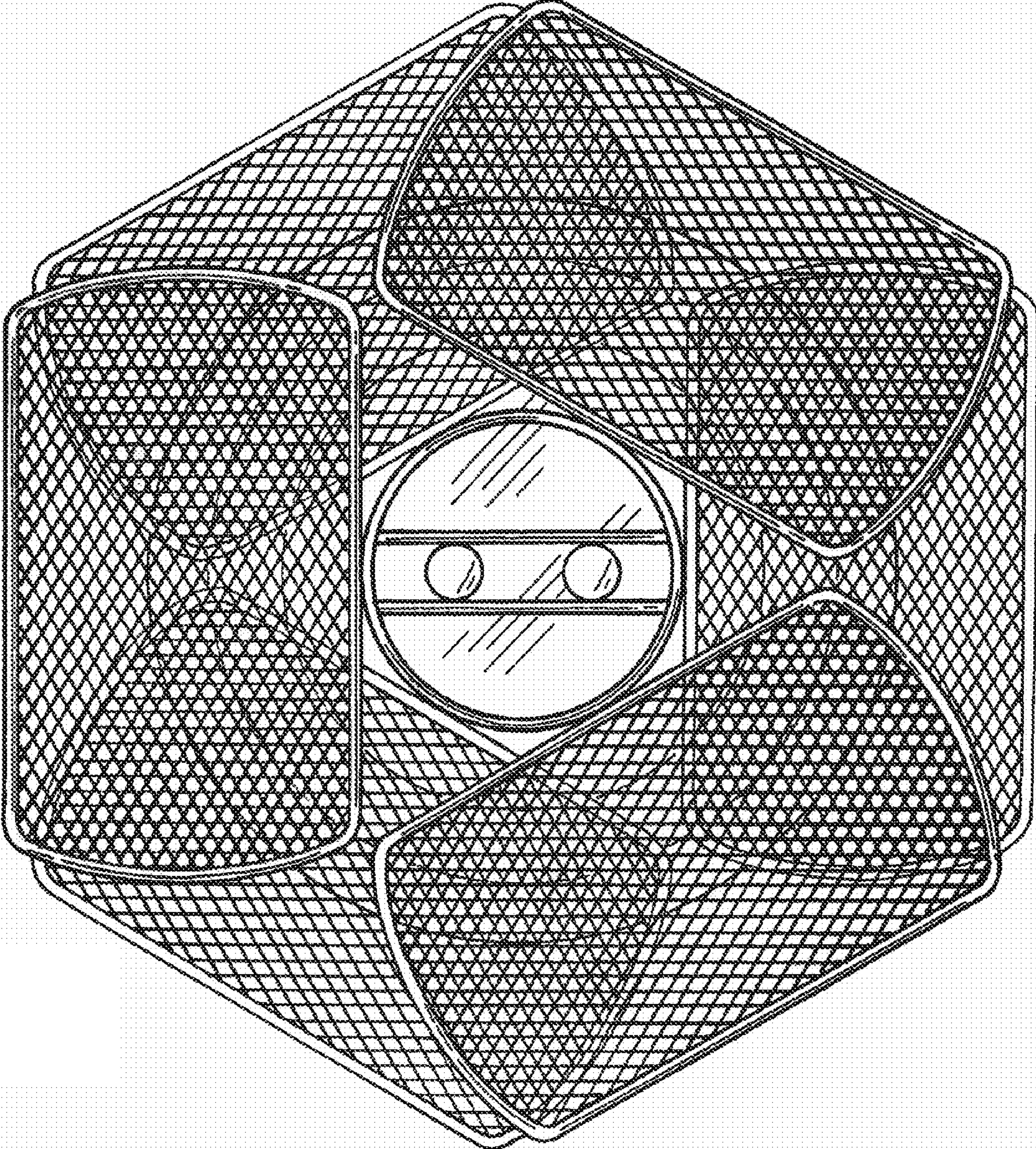


FIG. 4

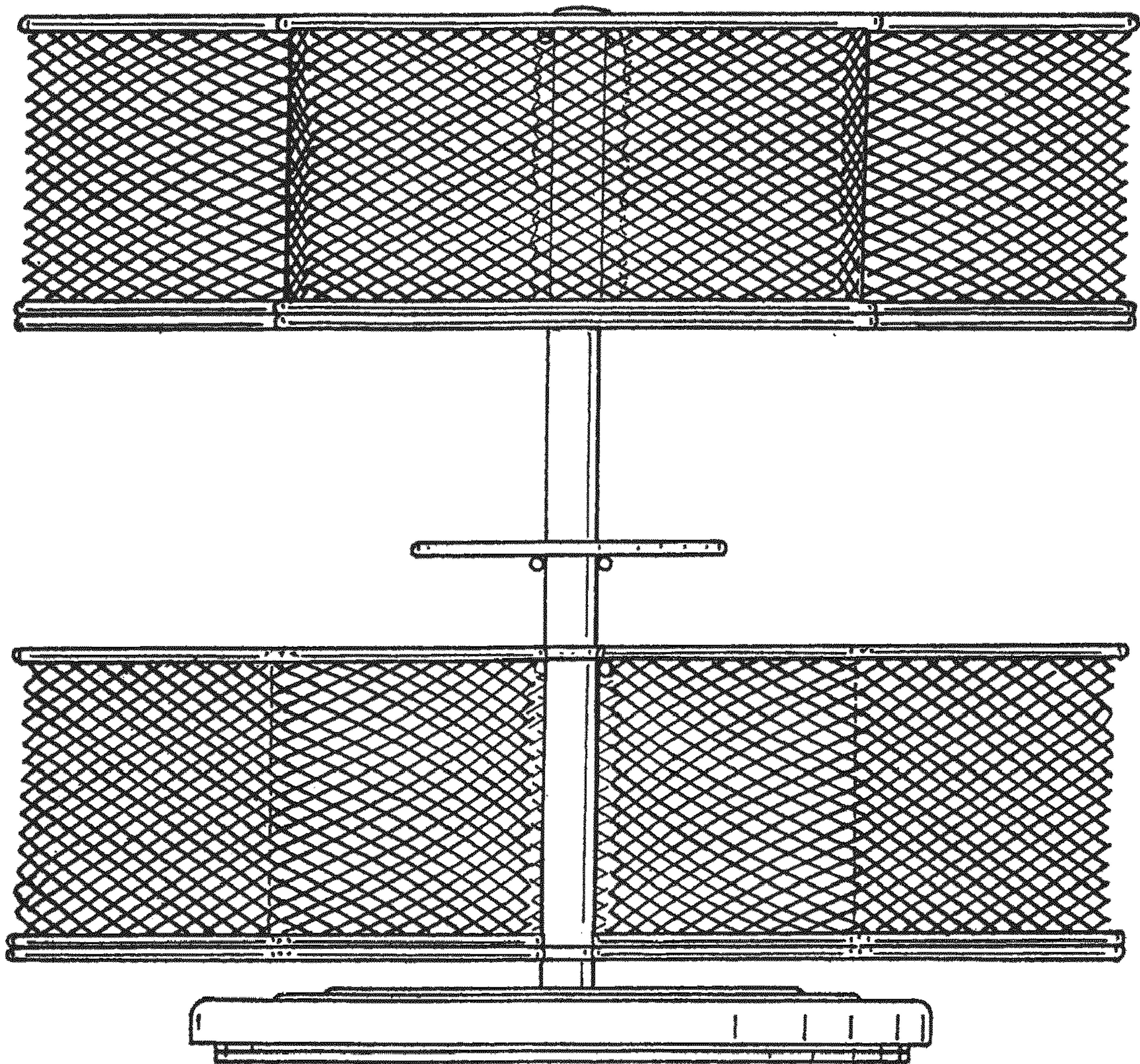


FIG. 5

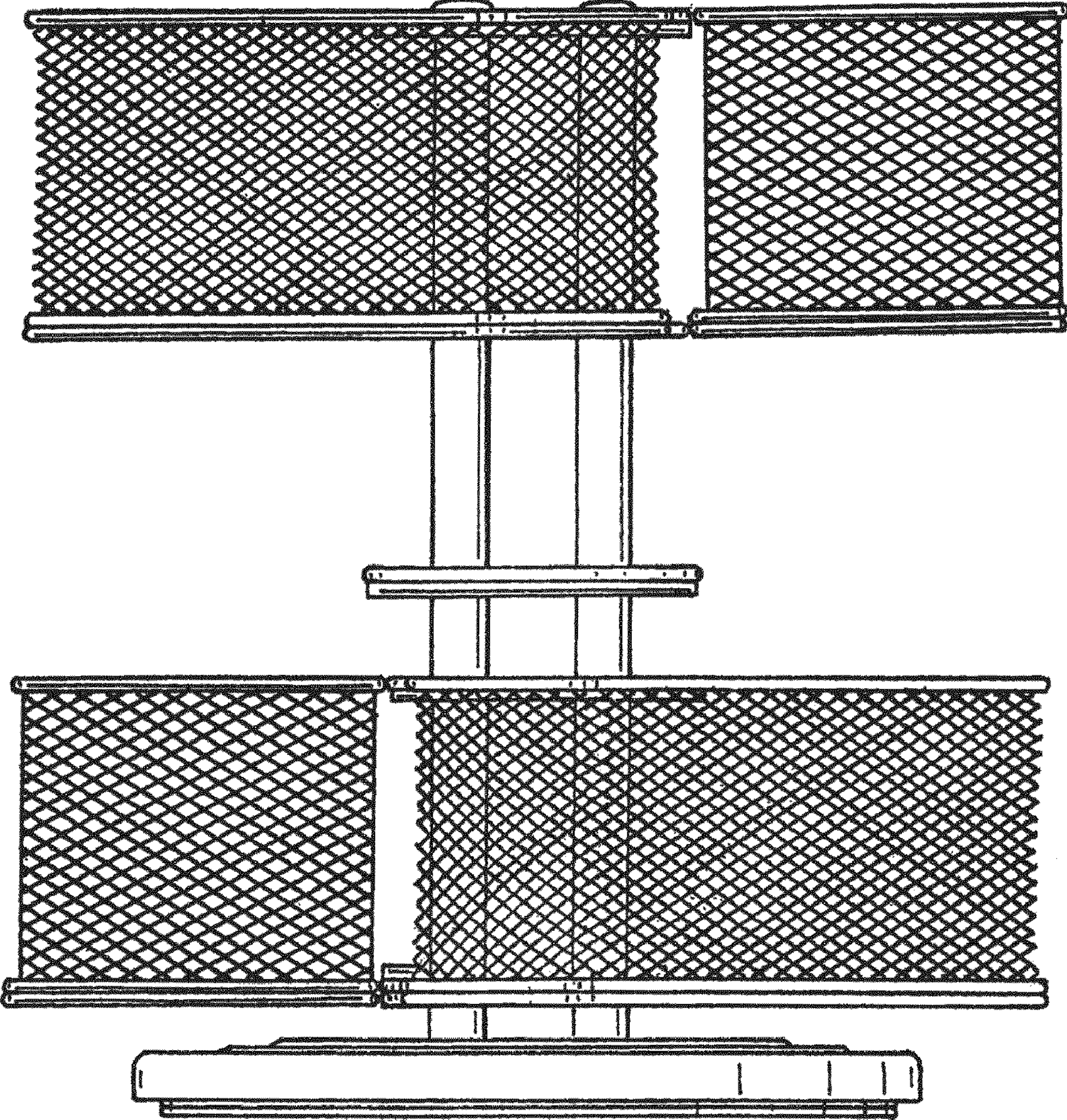


FIG. 6

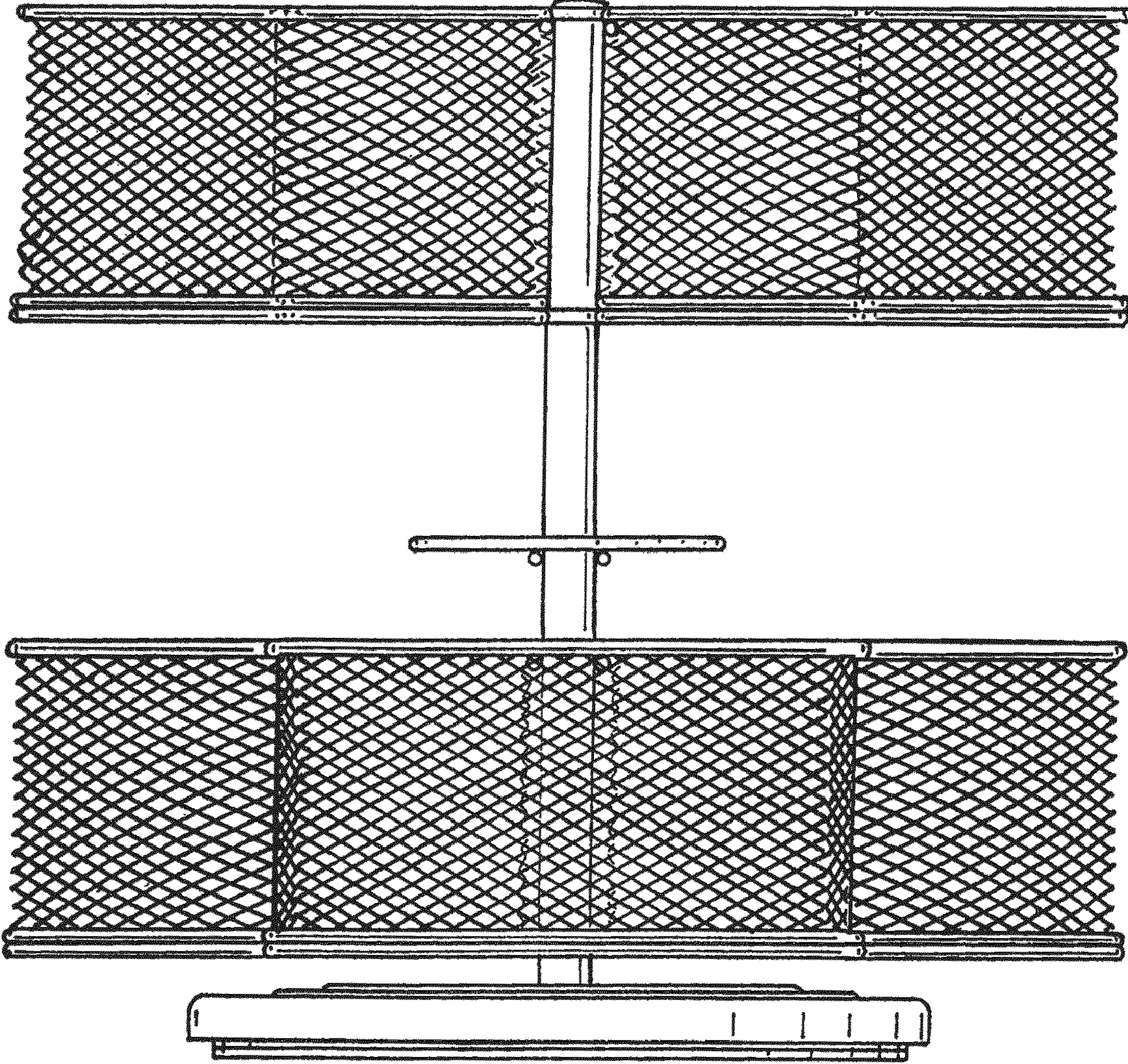


FIG. 7

