



US00D640883S

(12) **United States Design Patent**  
**Colfer et al.**

(10) **Patent No.:** **US D640,883 S**

(45) **Date of Patent:** **\*\* Jul. 5, 2011**

(54) **WORKSTATION**

(76) Inventors: **Rochelle Susan Colfer**,  
Buckinghamshire (GB); **Amanda Hill**,  
Bucks (GB)

(\*\*) Term: **14 Years**

(21) Appl. No.: **29/382,669**

(22) Filed: **Jan. 6, 2011**

(51) **LOC (9) Cl.** ..... **06-02**

(52) **U.S. Cl.** ..... **D6/397**

(58) **Field of Classification Search** ..... D6/396-397,  
D6/406.3, 406.4, 406.5, 406.6, 449, 466-467,  
D6/511; D7/553.2, 553.3, 553.4, 553.5,  
D7/545; 108/26, 26.2, 32, 43; D19/75, 77-78,  
D19/81, 91-92; 206/561-565

See application file for complete search history.

D567,543 S \* 4/2008 McFaddin ..... D6/469  
D573,940 S \* 7/2008 Heneghan et al. .... D12/425  
D588,140 S \* 3/2009 Hsu et al. .... D14/447  
D588,830 S \* 3/2009 Chochinov et al. .... D6/406.3  
D606,774 S \* 12/2009 Kohli ..... D6/406.6  
D608,270 S \* 1/2010 Priestman ..... D12/345  
D618,476 S \* 6/2010 Maddux ..... D6/491

\* cited by examiner

*Primary Examiner* — Elizabeth Albert

*Assistant Examiner* — Kelley Donnelly

(74) *Attorney, Agent, or Firm* — Webb IP Law Group; Jason  
P. Webb; Danny Y. H. Cheng

(57) **CLAIM**

The ornamental design for a workstation, as shown and  
described.

**DESCRIPTION**

FIG. 1 is a perspective view of a workstation showing my new  
design;

FIG. 2 is a front elevational view thereof;

FIG. 3 is a left side elevational view thereof;

FIG. 4 is a right side elevational view thereof;

FIG. 5 is a back elevational view thereof;

FIG. 6 is a top plan view thereof with workboards removed,  
showing my new design; and,

FIG. 7 is a bottom plan view of FIG. 1.

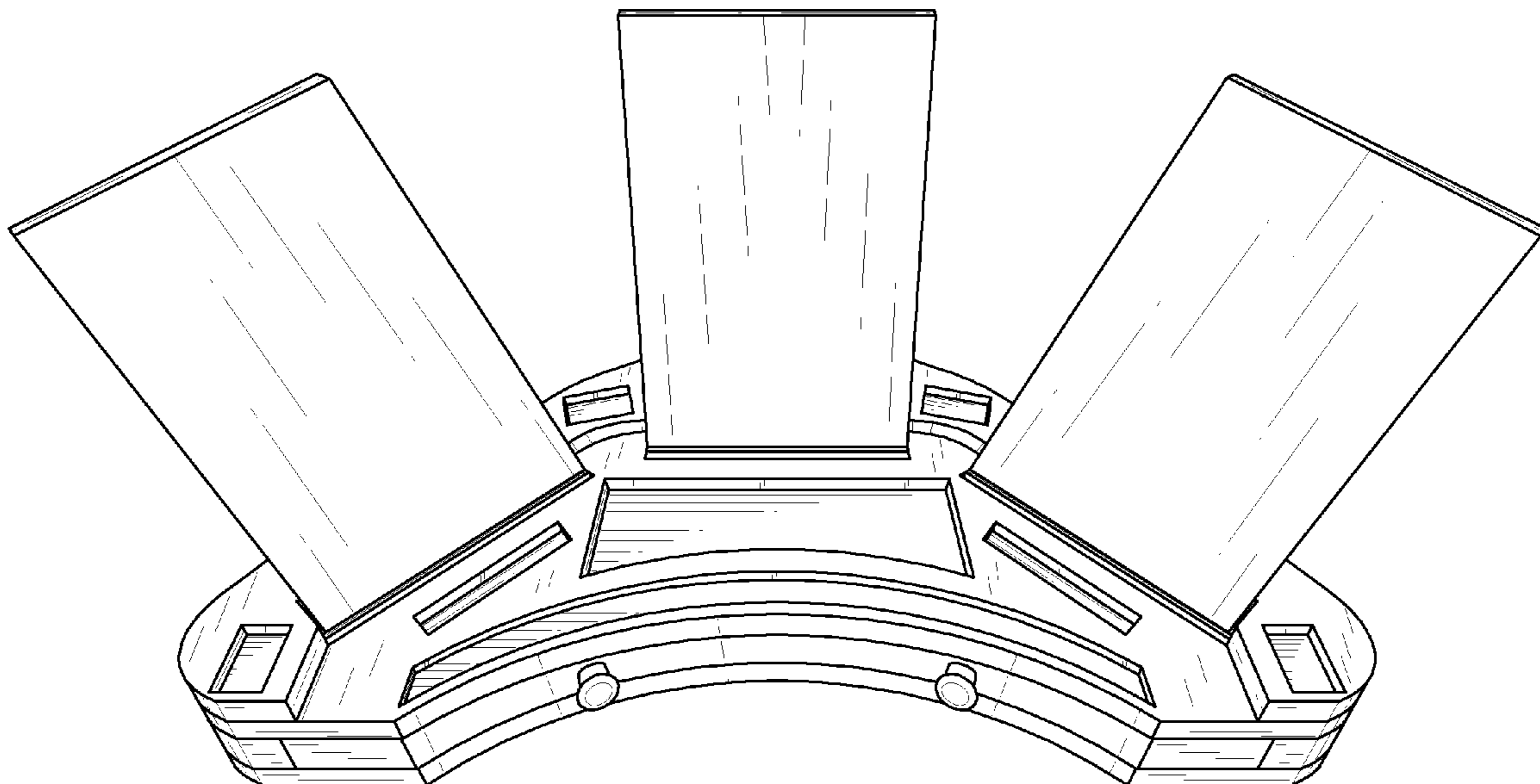
The broken lines are for the purpose of illustrating the envi-  
ronment of the article only and form no part of the claimed  
design.

(56) **References Cited**

U.S. PATENT DOCUMENTS

D288,513 S \* 3/1987 Shelly ..... D7/555  
D317,180 S \* 5/1991 Leszczak ..... D19/78  
D328,099 S \* 7/1992 Williams ..... D19/75  
D331,330 S \* 12/1992 Bennett et al. .... D6/406.3  
D363,643 S \* 10/1995 Eisenberg ..... D7/552.1  
D396,956 S \* 8/1998 Iversen et al. .... D3/313  
D423,290 S \* 4/2000 Green ..... D7/553.5  
D438,029 S \* 2/2001 Brey et al. .... D6/406.3  
6,305,532 B1 \* 10/2001 Overkamp ..... 206/217  
D550,467 S \* 9/2007 Koepke et al. .... D6/366

**1 Claim, 7 Drawing Sheets**



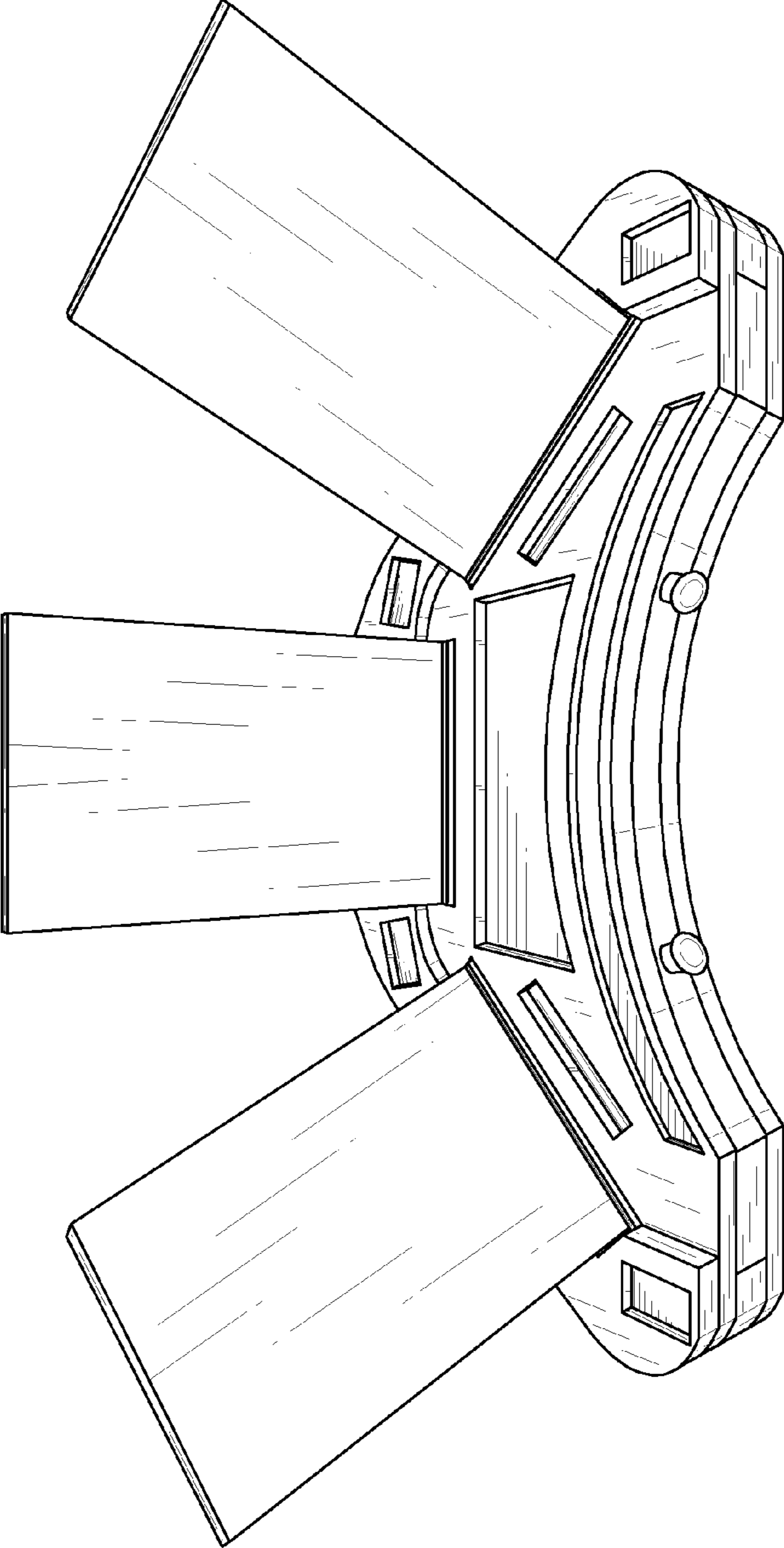


FIG. 1

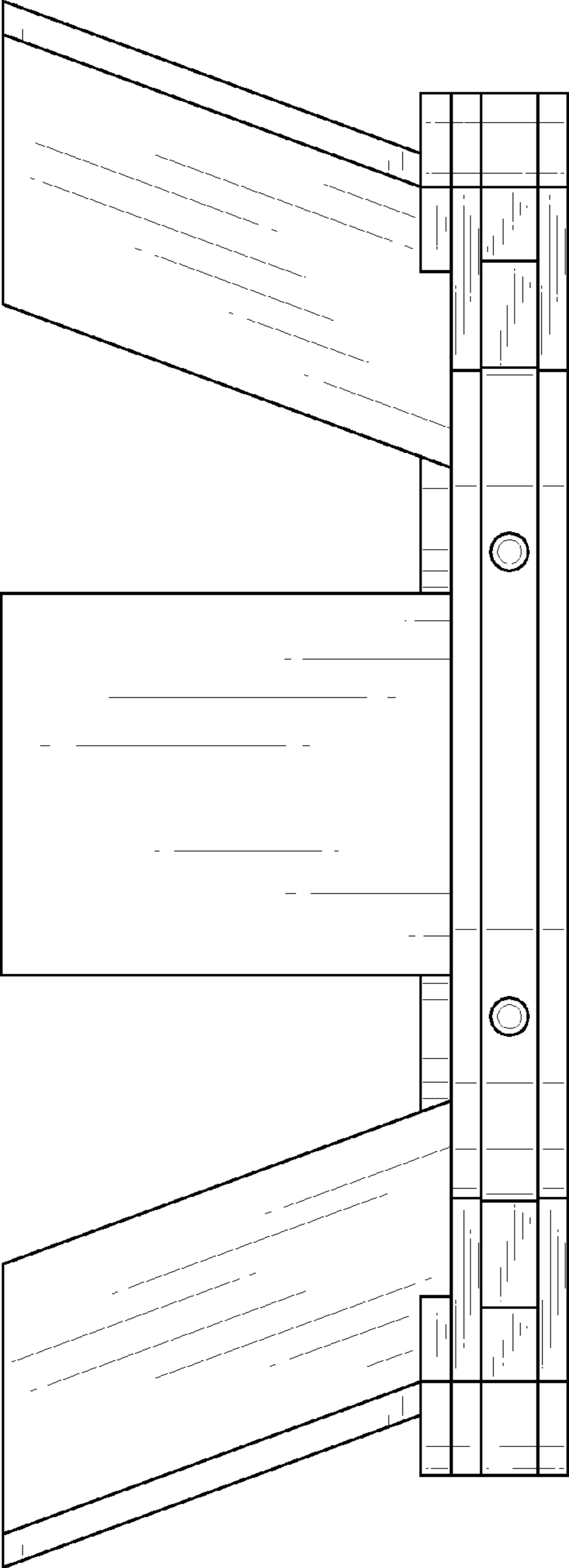


FIG. 2

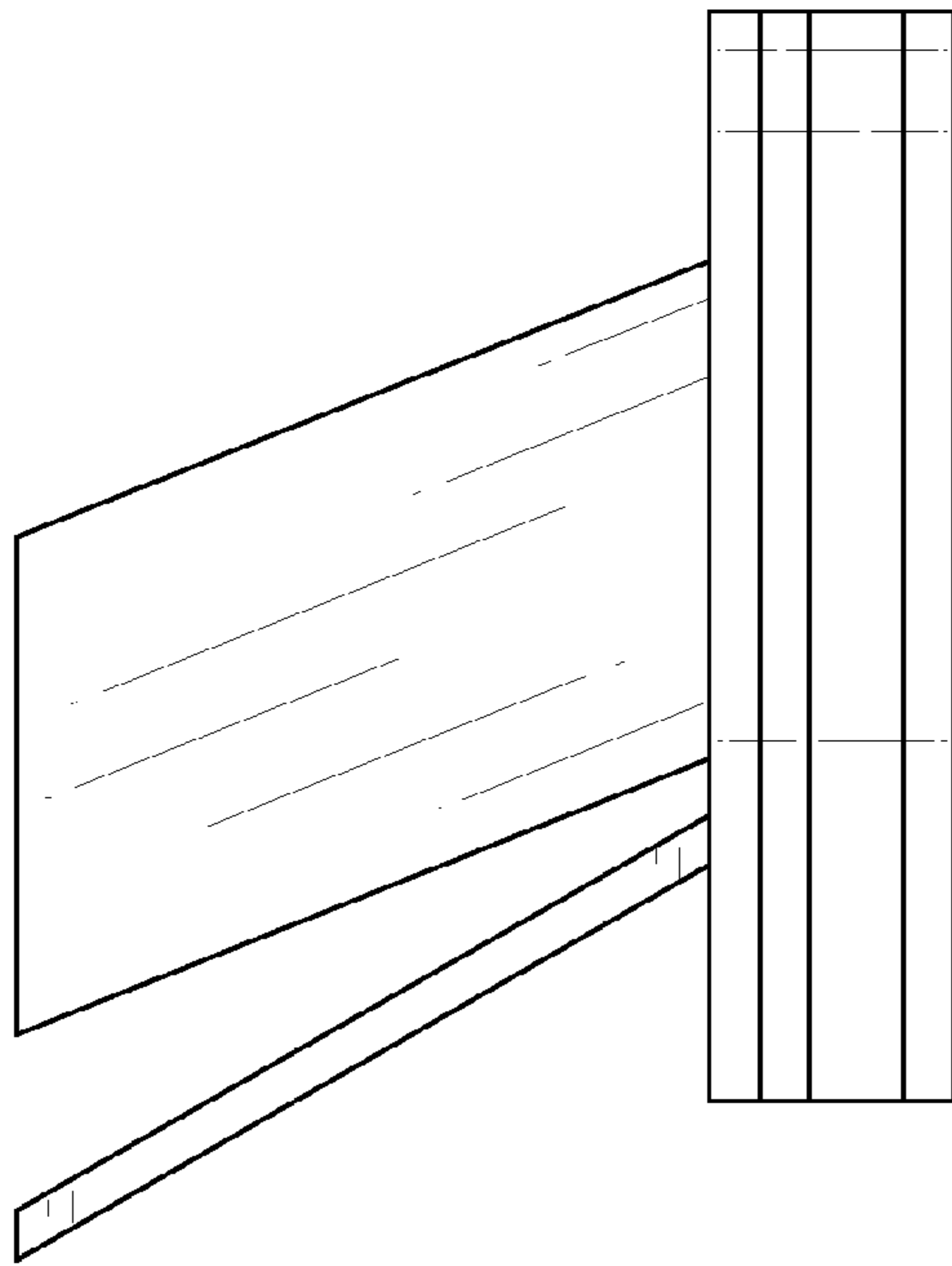


FIG. 3

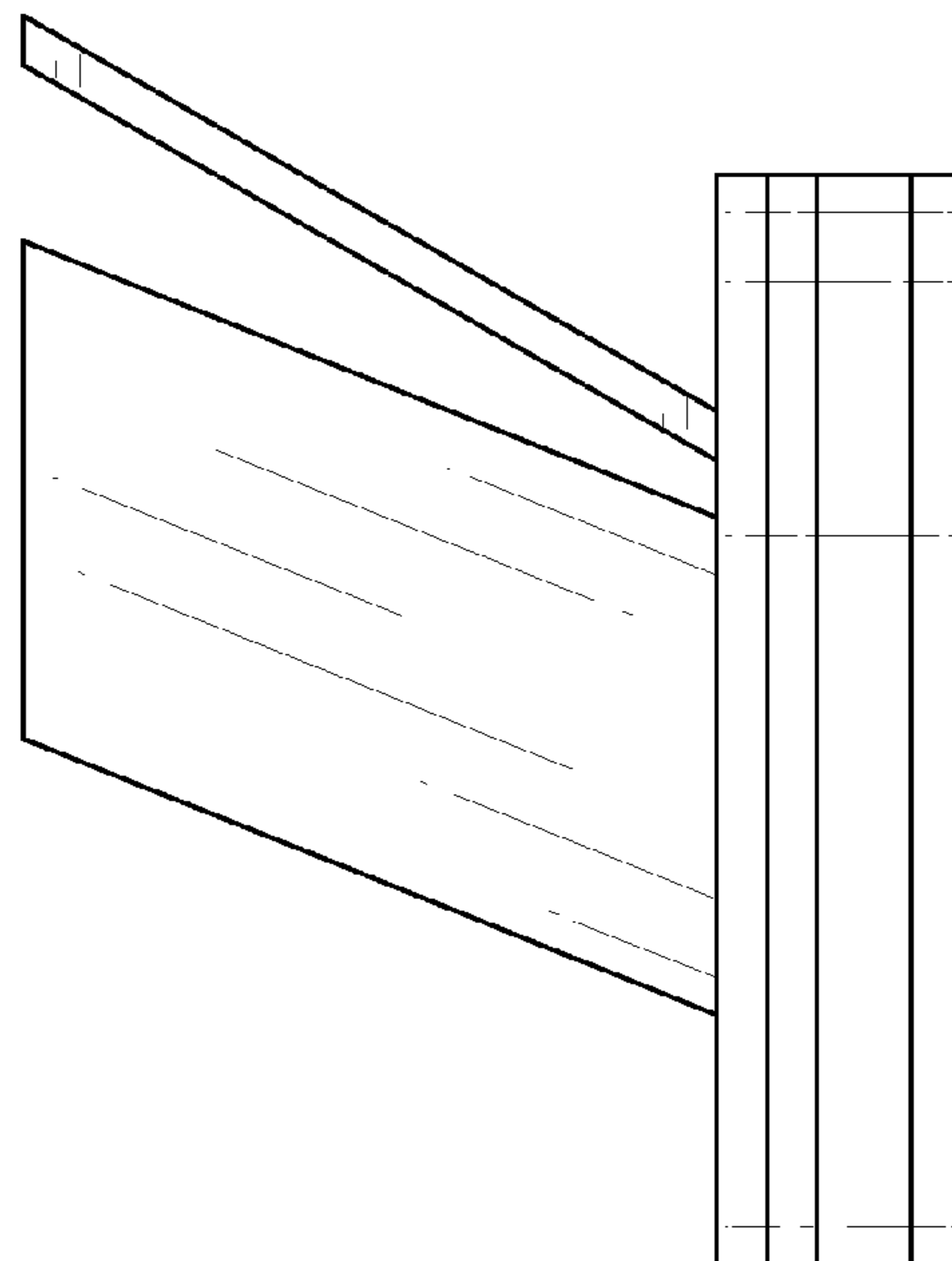


FIG. 4

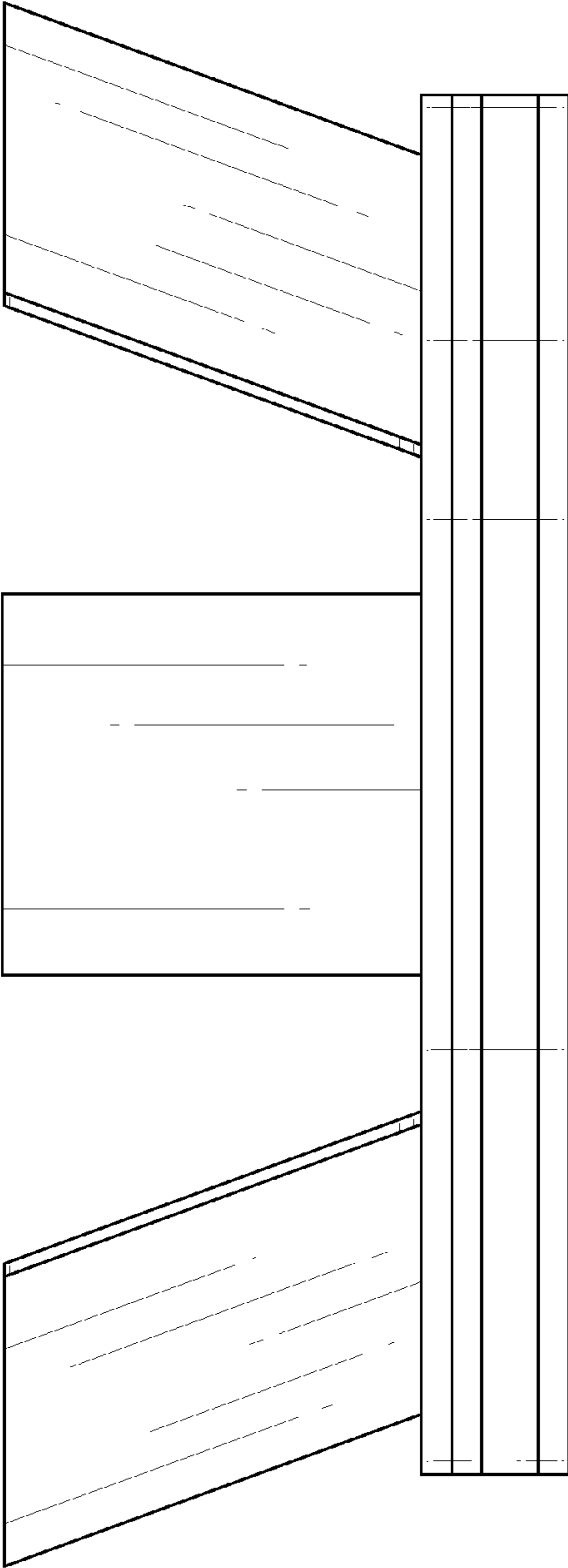


FIG. 5

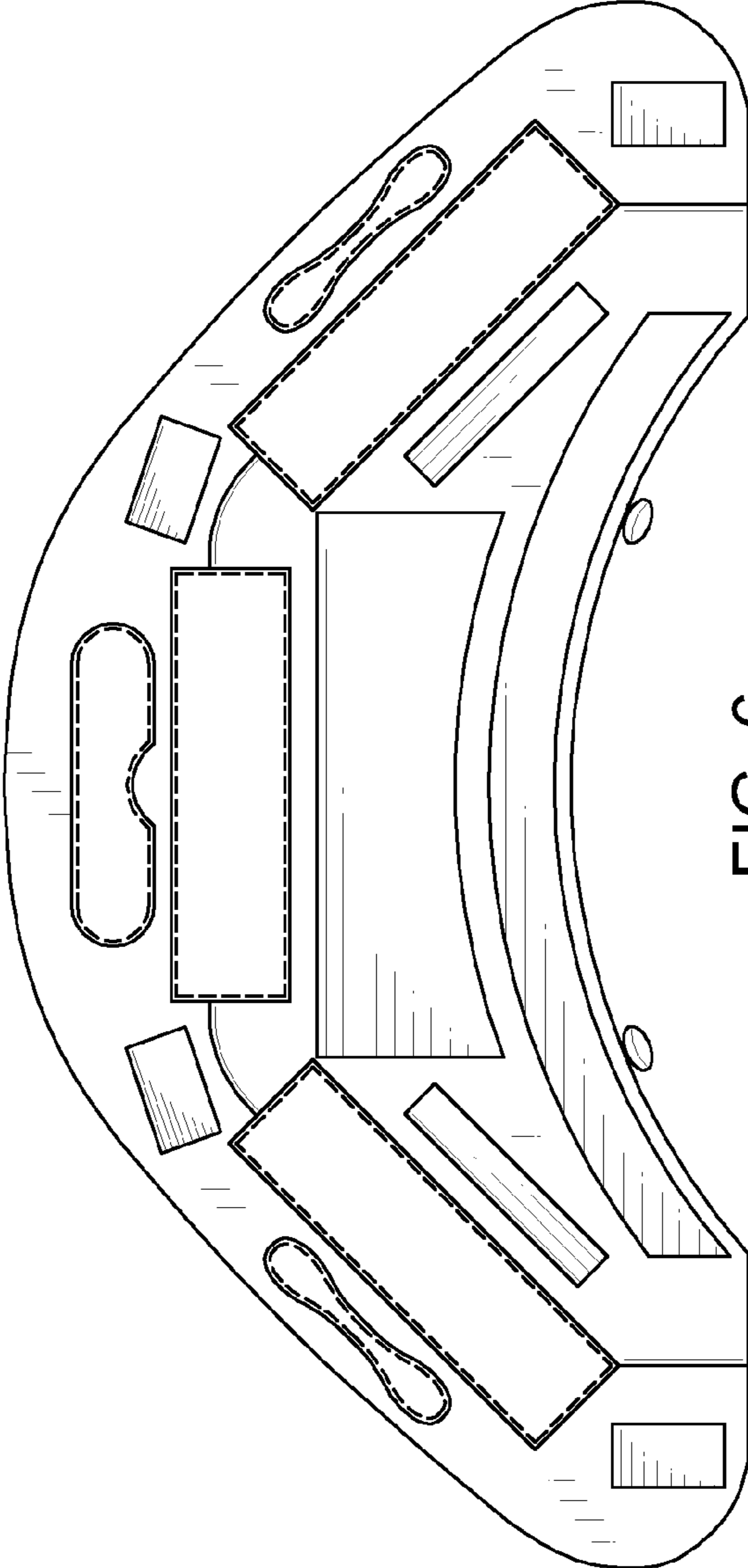


FIG. 6

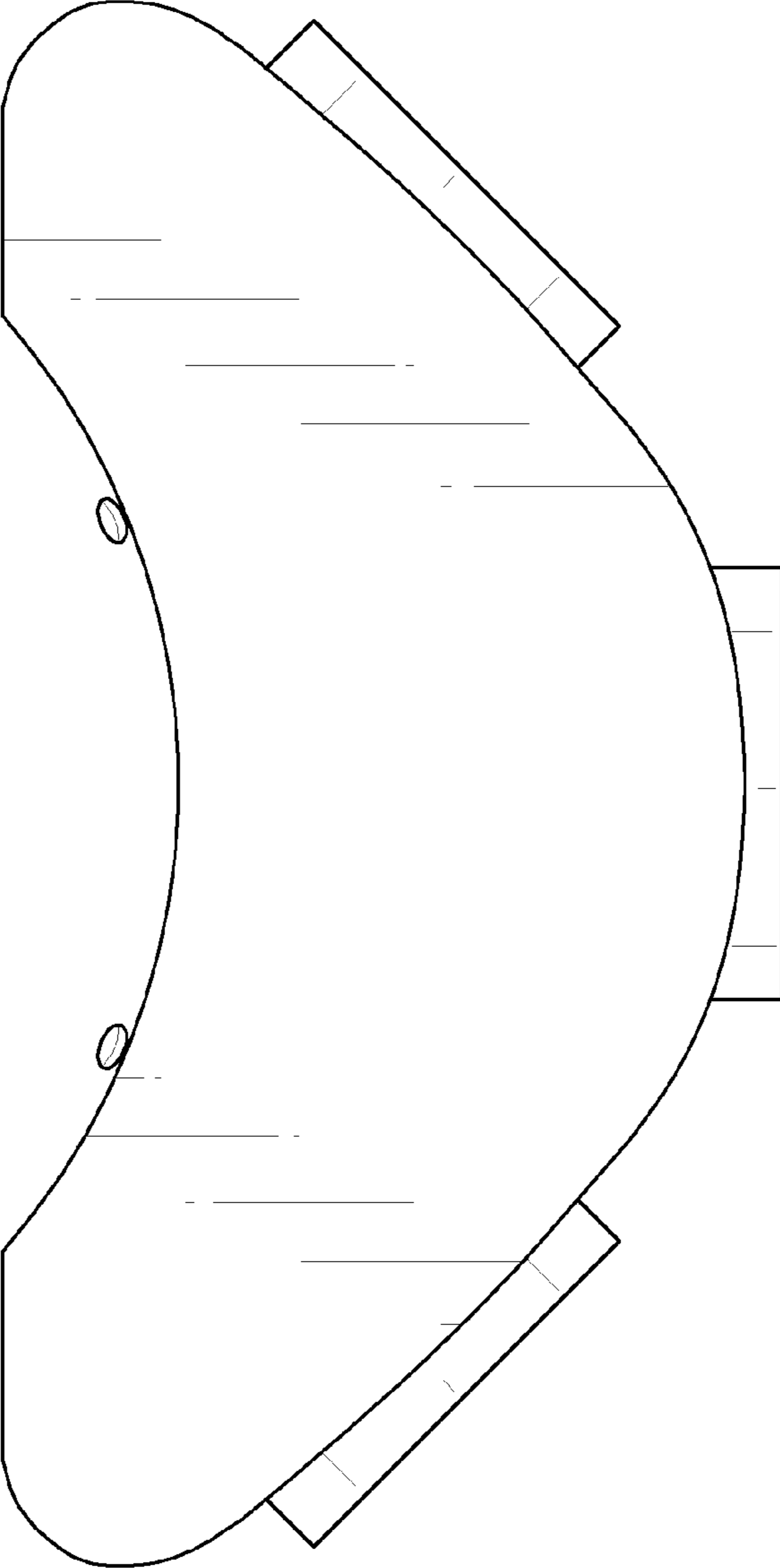


FIG. 7