



US00D640881S

(12) **United States Design Patent**
Marcomini

(10) **Patent No.:** **US D640,881 S**

(45) **Date of Patent:** **** Jul. 5, 2011**

(54) **CHAIR**

(76) Inventor: **Massimo Marcomini**, Lonato (IT)

(*) Notice: This patent is subject to a terminal disclaimer.

(**) Term: **14 Years**

(21) Appl. No.: **29/369,473**

(22) Filed: **Sep. 9, 2010**

(30) **Foreign Application Priority Data**

Mar. 11, 2010 (EM) 001680380-0018

(51) **LOC (9) Cl.** **06-01**

(52) **U.S. Cl.** **D6/375**

(58) **Field of Classification Search** D6/334-336,
D6/352, 355, 360-369, 370-375, 379-380,
D6/491, 498, 500-502, 601; 297/118, 284.4-284.5,
297/291, 297, 411.2, 411.27-411.29, 423.13,
297/452.13, 452.19, 452.21, 452.29, 452.3,
297/452.56, 452.64, 466

See application file for complete search history.

(56) **References Cited**

U.S. PATENT DOCUMENTS

D225,798 S * 1/1973 Torrey D6/375
D284,914 S * 8/1986 Nemschoff et al. D6/375

D293,169 S *	12/1987	Salvato	D6/334
D357,362 S *	4/1995	Pedersen	D6/355
D357,368 S *	4/1995	Pedersen	D6/371
D358,500 S *	5/1995	Pedersen	D6/371
D360,995 S *	8/1995	Pedersen	D6/371
D441,204 S *	5/2001	Bernich	D6/334
D534,363 S *	1/2007	Ng et al.	D6/335
D564,769 S *	3/2008	Alter Molina et al.	D6/371
D586,141 S *	2/2009	Massaud	D6/369
D596,866 S *	7/2009	Bergmann et al.	D6/369
D596,867 S *	7/2009	Bergmann et al.	D6/369

* cited by examiner

Primary Examiner — Ricky Pham

(74) *Attorney, Agent, or Firm* — Fattibene and Fattibene LLC; Paul A. Fattibene

(57) **CLAIM**

The ornamental design for a chair, as shown and described.

DESCRIPTION

FIG. 1 is a perspective view of a chair showing the new design;

FIG. 2 is a front elevation view thereof;

FIG. 3 is a rear elevation view thereof;

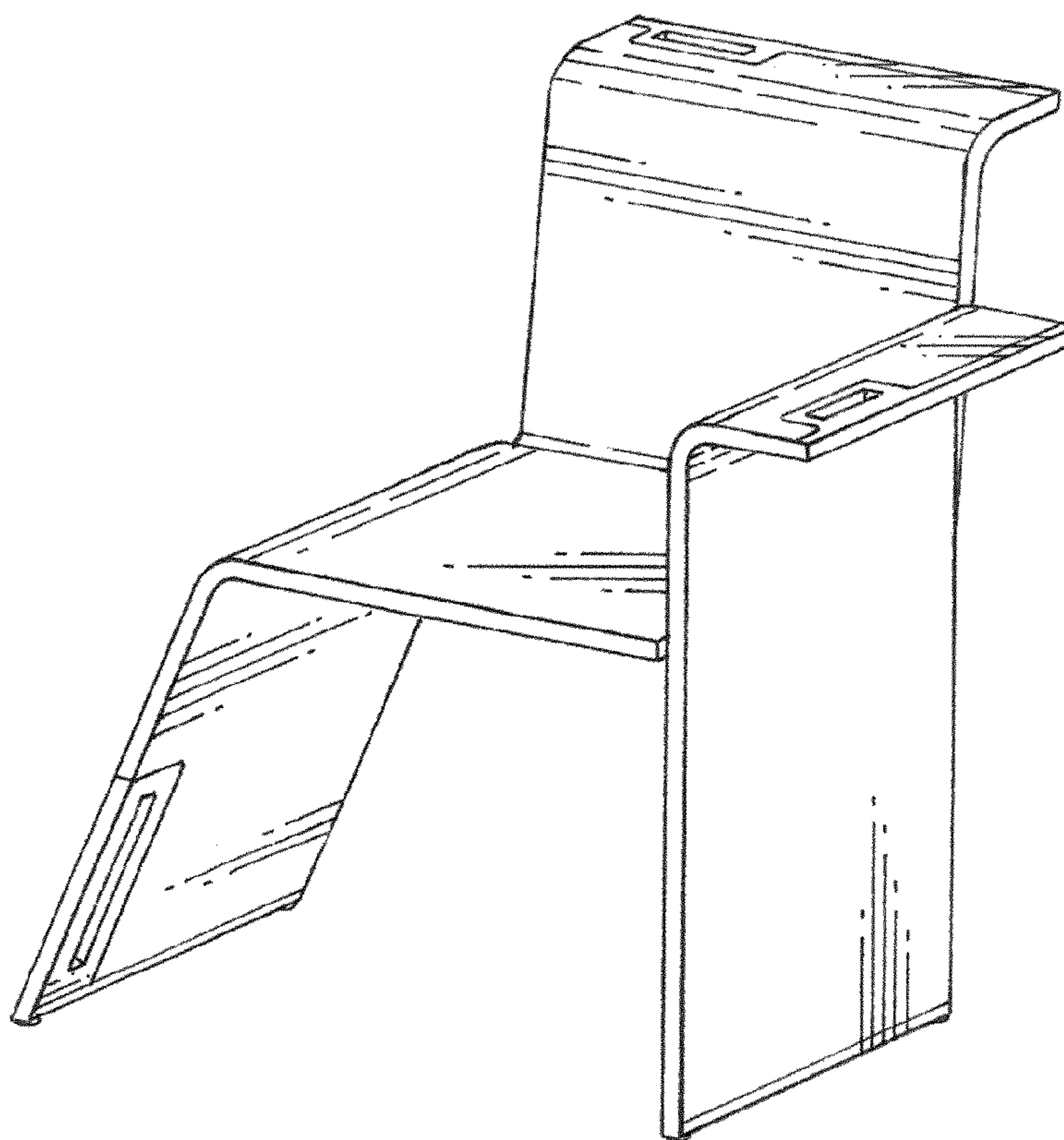
FIG. 4 is a left side elevation view thereof;

FIG. 5 is a right side elevation view thereof;

FIG. 6 is a top plan view thereof; and,

FIG. 7 is a bottom plan view thereof.

1 Claim, 4 Drawing Sheets



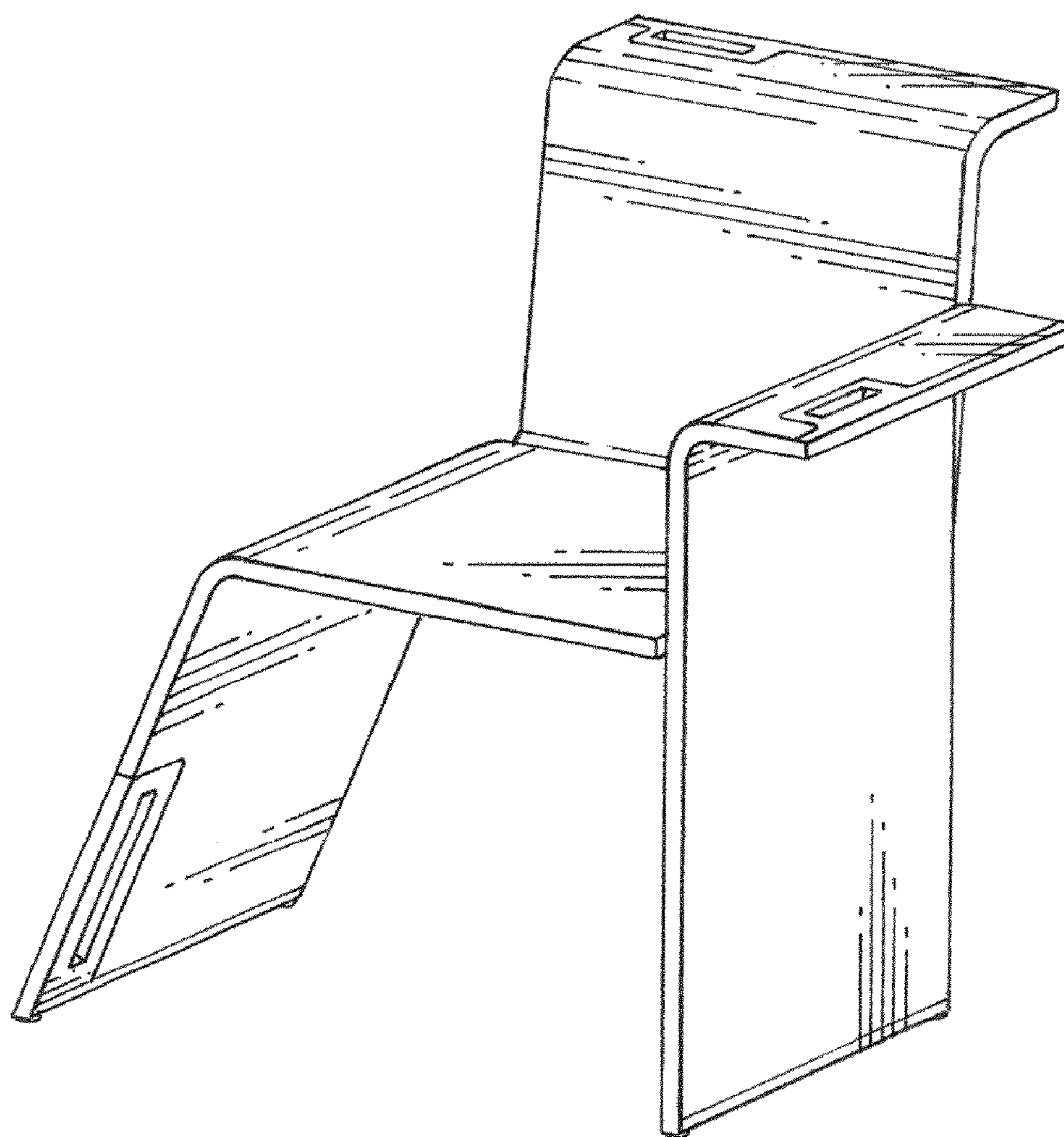


FIG. 1

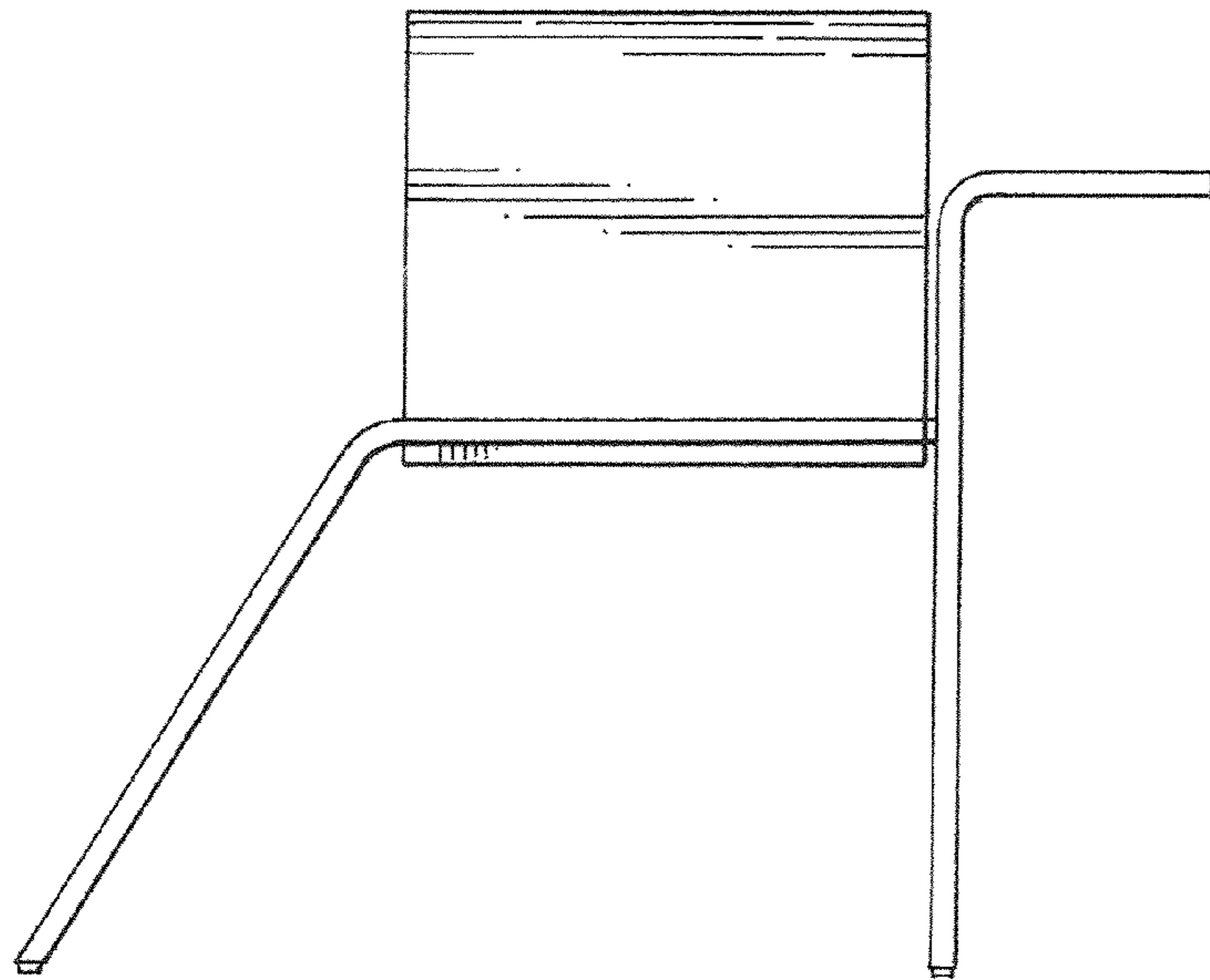


FIG. 2

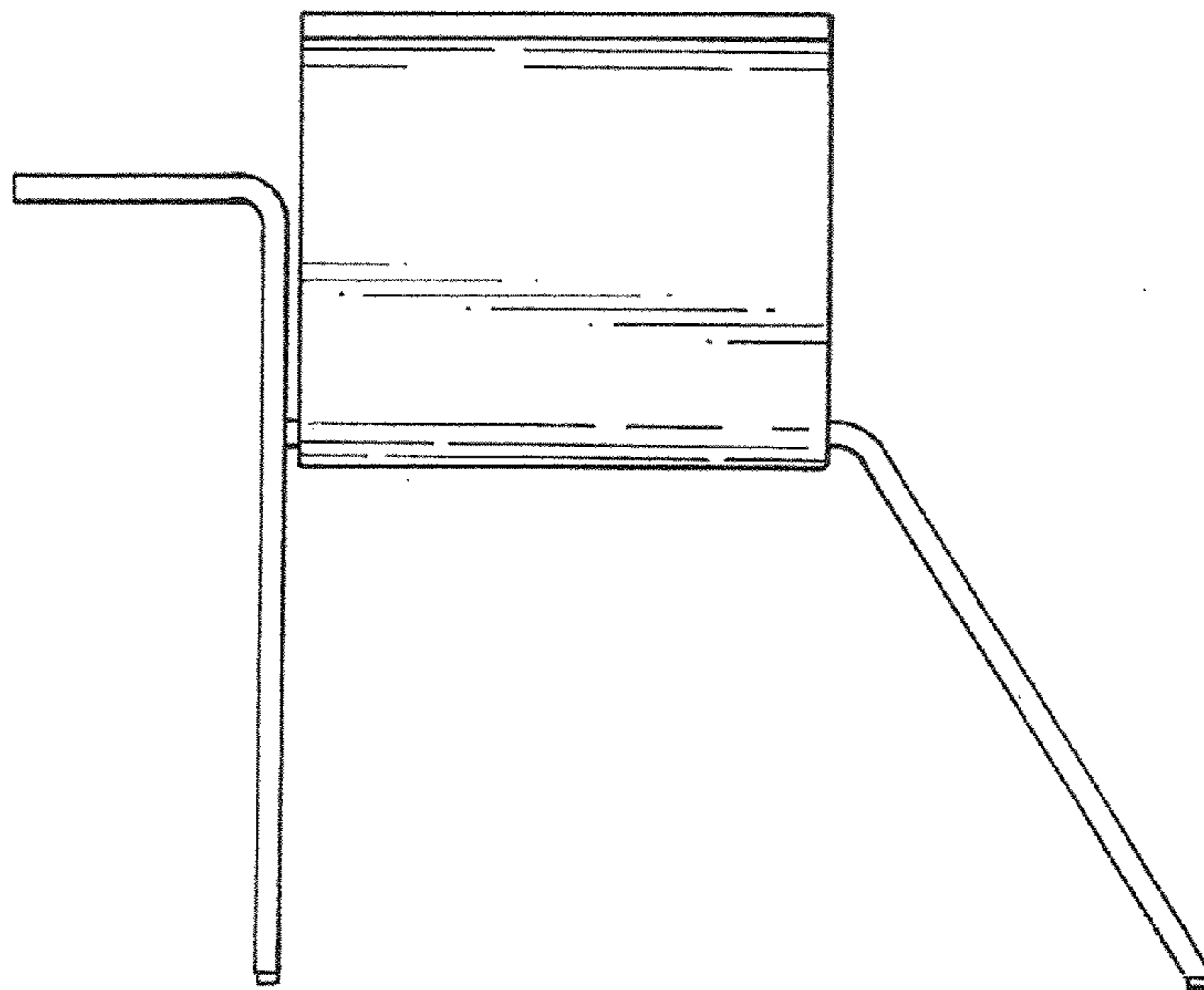


FIG. 3

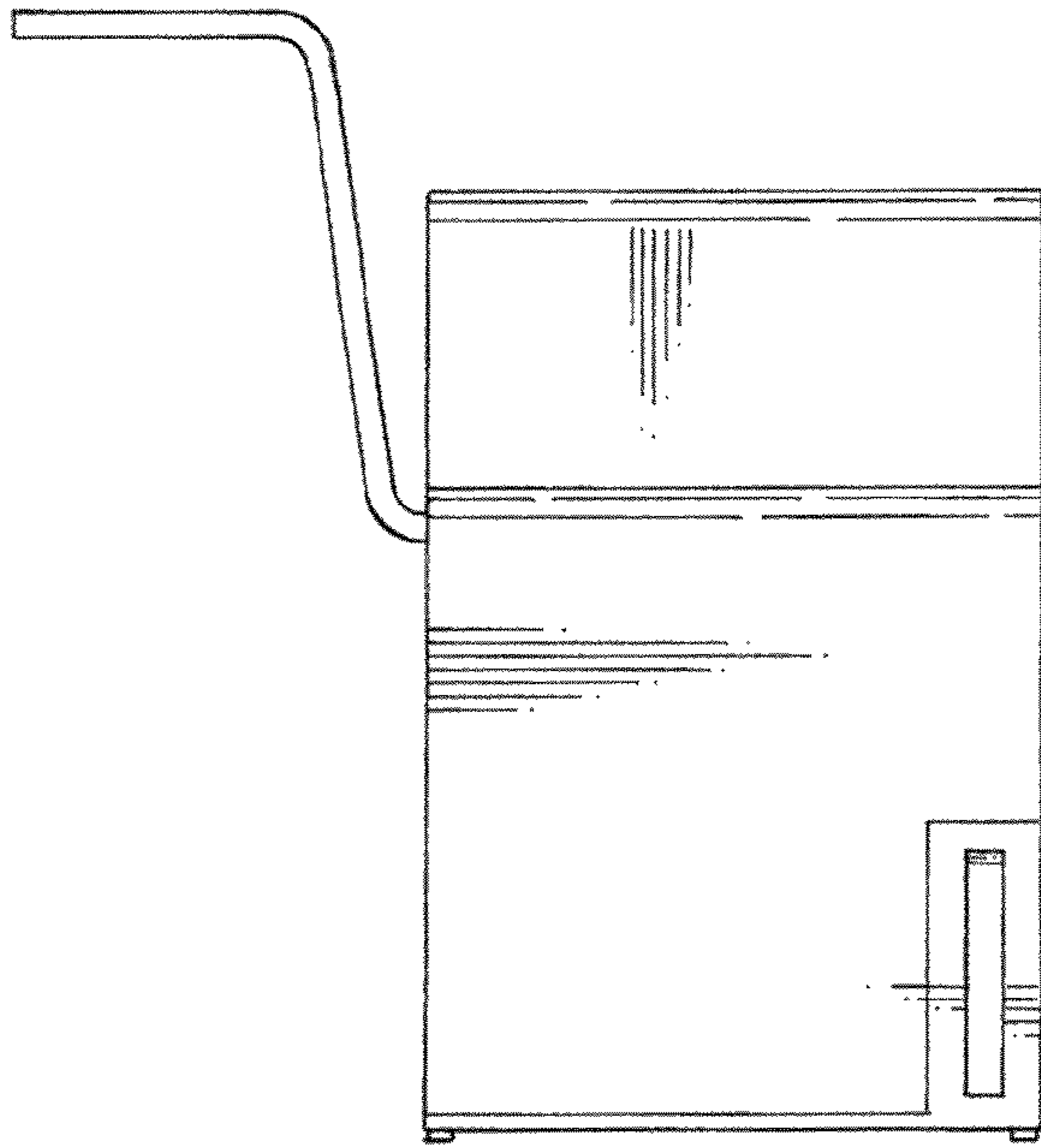


FIG. 4

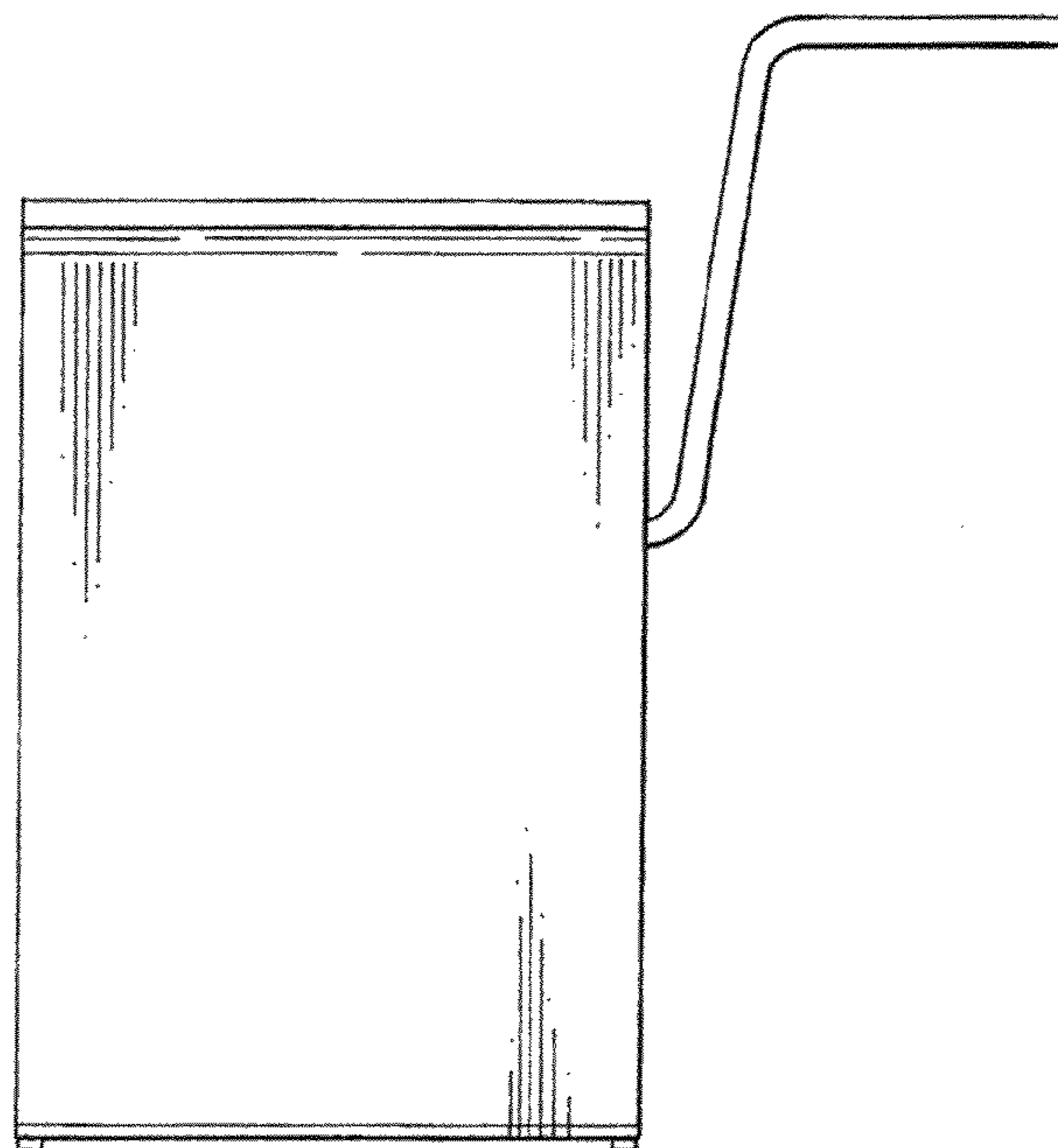


FIG. 5

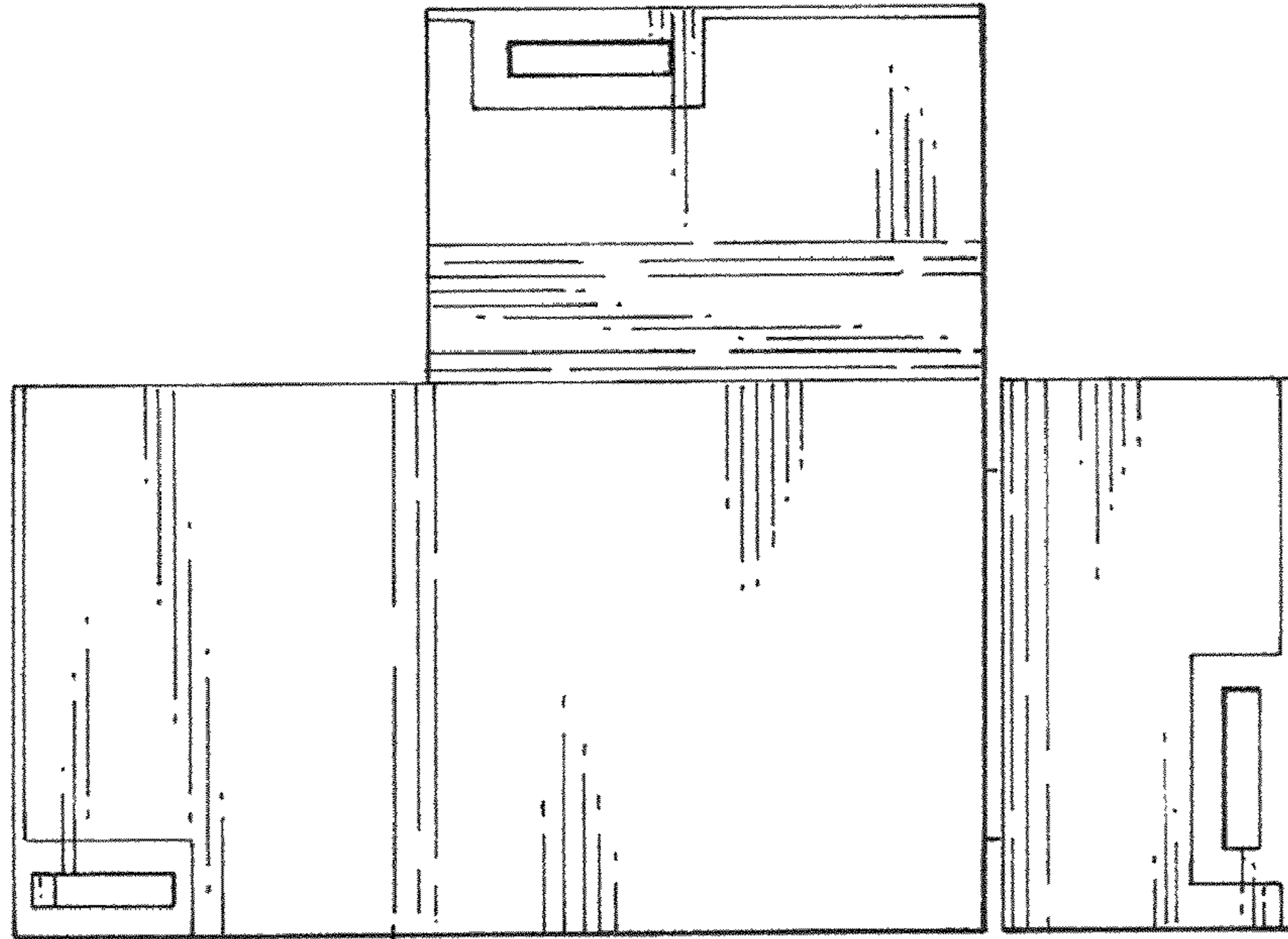


FIG. 6

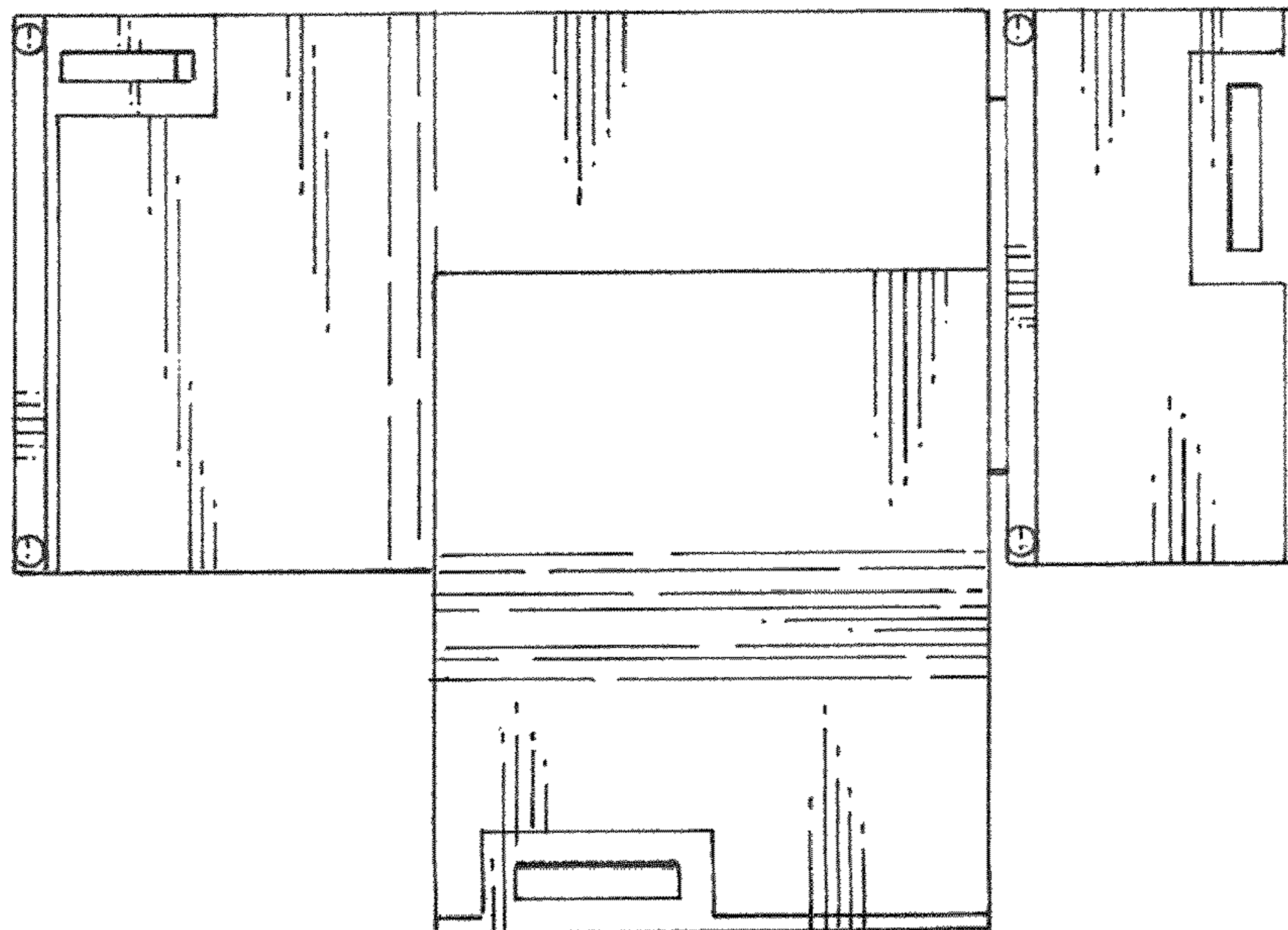


FIG. 7