



US00D640878S

(12) **United States Design Patent**
Huang et al.

(10) **Patent No.:** **US D640,878 S**

(45) **Date of Patent:** **** Jul. 5, 2011**

(54) **WHEELED STEP STOOL**

(76) Inventors: **Chia-Ling Huang**, Taichung (TW);
Chun-Lung Liu, Changhua County (TW)

(**) Term: **14 Years**

(21) Appl. No.: **29/385,593**

(22) Filed: **Feb. 16, 2011**

(51) **LOC (9) Cl.** **06-01**

(52) **U.S. Cl.** **D6/350**

(58) **Field of Classification Search** D6/340,
D6/349-354, 355, 491, 492, 500-502; 297/16.1,
297/16.2, 175, 181, 186, 187, 195.1, 215.16,
297/440.12, 461, 462, DIG. 2
See application file for complete search history.

(56) **References Cited**

U.S. PATENT DOCUMENTS

D184,390	S	*	2/1959	Cramer	D6/350
D216,508	S	*	1/1970	Dottinger	D6/350
3,559,761	A	*	2/1971	Wehner	182/15
3,599,750	A	*	8/1971	Serwer	182/15
D244,494	S	*	5/1977	Dottinger	D6/350
D262,419	S	*	12/1981	Cramer	D6/350

D524,069	S	*	7/2006	Lim	D6/350
D566,408	S	*	4/2008	Gonzalez	D6/350
D566,977	S	*	4/2008	Emge	D6/350
D566,978	S	*	4/2008	Gonzalez	D6/350
D570,125	S	*	6/2008	Gonzalez	D6/350

* cited by examiner

Primary Examiner — Sandra Snapp

(74) *Attorney, Agent, or Firm* — Muncy, Geissler, Olds & Lowe, PLLC

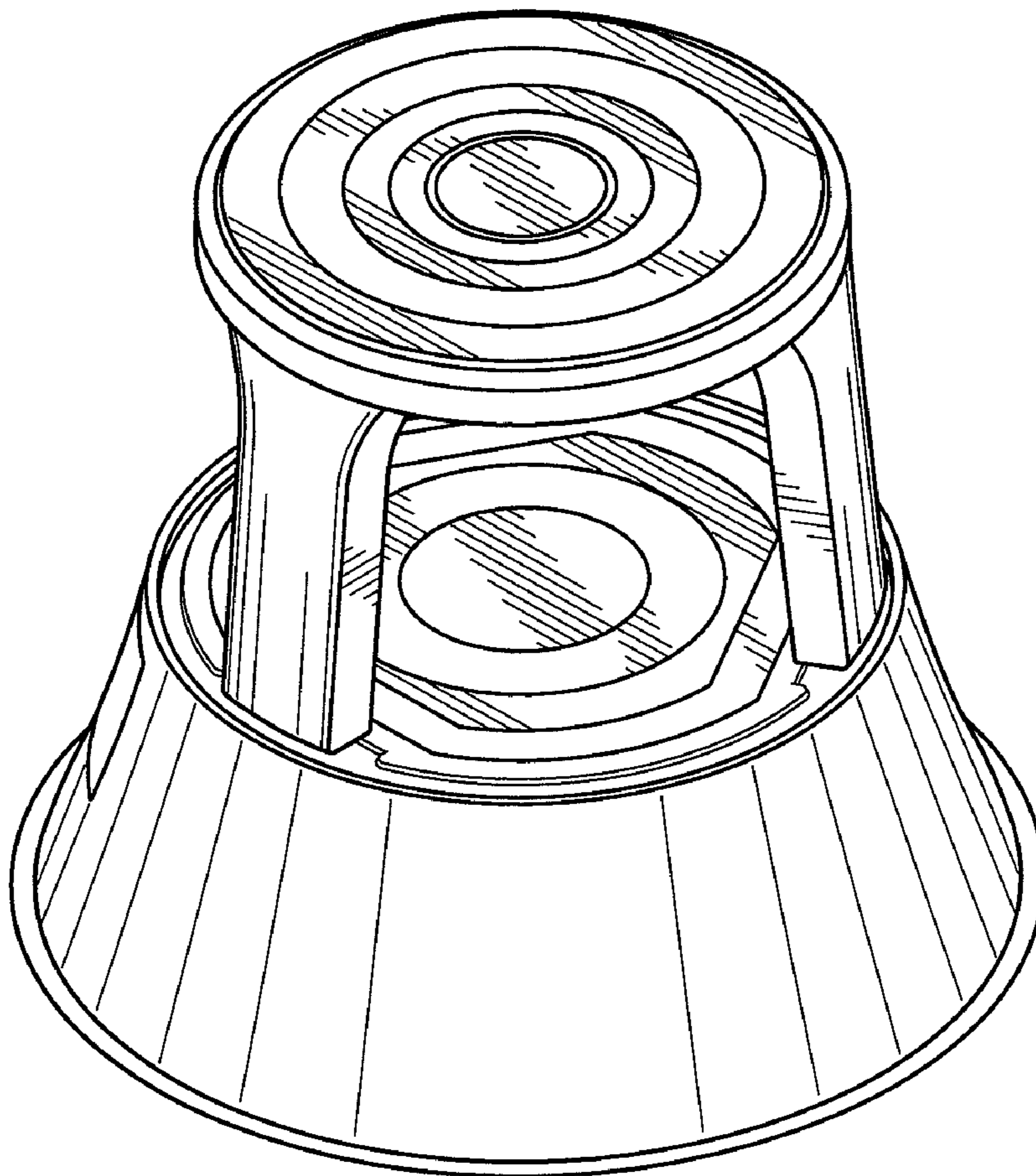
(57) **CLAIM**

The ornamental design for a wheeled step stool, as shown and described.

DESCRIPTION

FIG. 1 is a perspective view of a wheeled step stool showing our new design thereof;
FIG. 2 is a front elevational view thereof;
FIG. 3 is a rear elevational view thereof;
FIG. 4 is a left side elevational view thereof;
FIG. 5 is a right side elevational view thereof;
FIG. 6 is a top plan view thereof;
FIG. 7 is a bottom plan view thereof; and,
FIG. 8 is a perspective view from another angle.

1 Claim, 8 Drawing Sheets



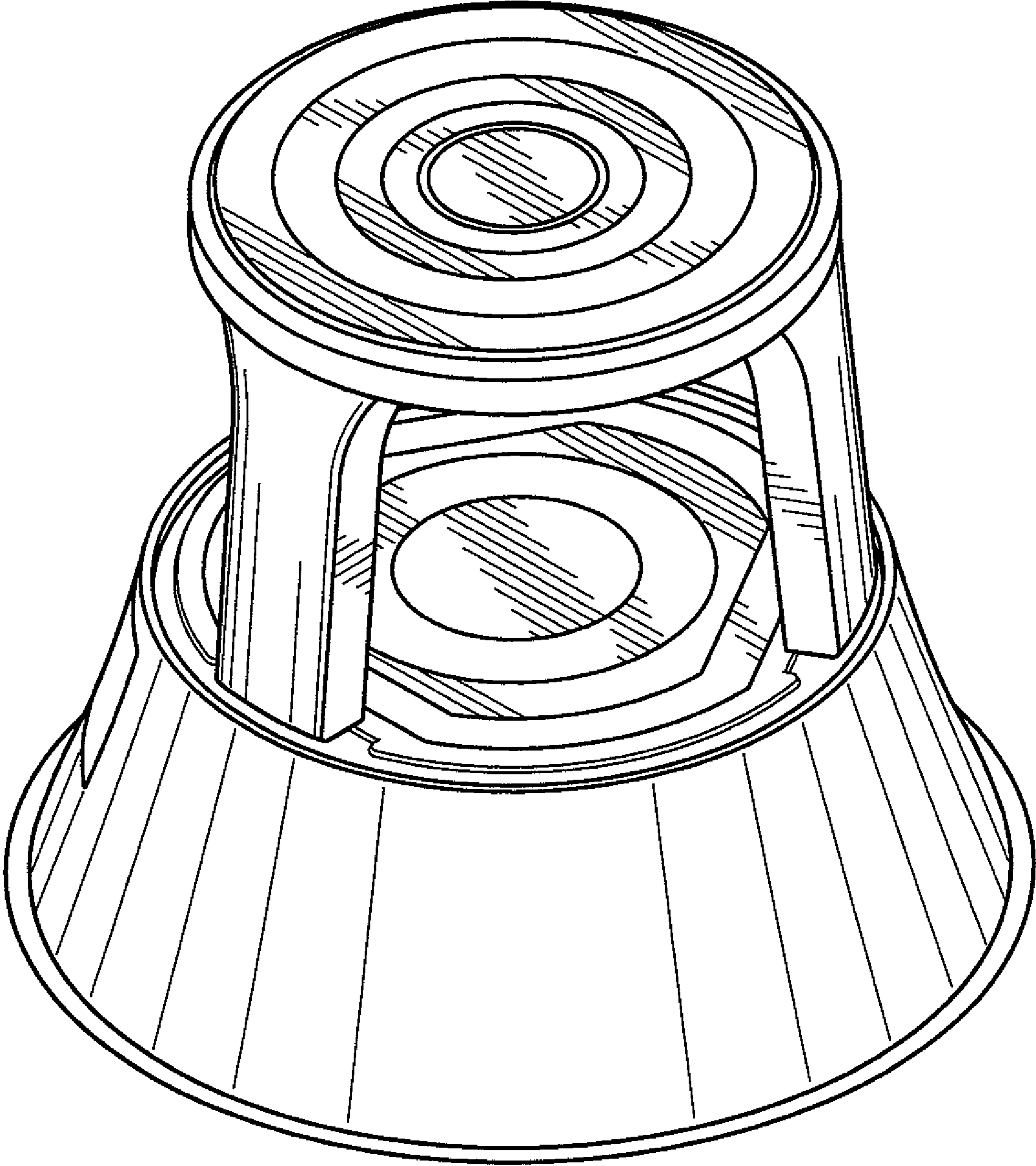


FIG. 1

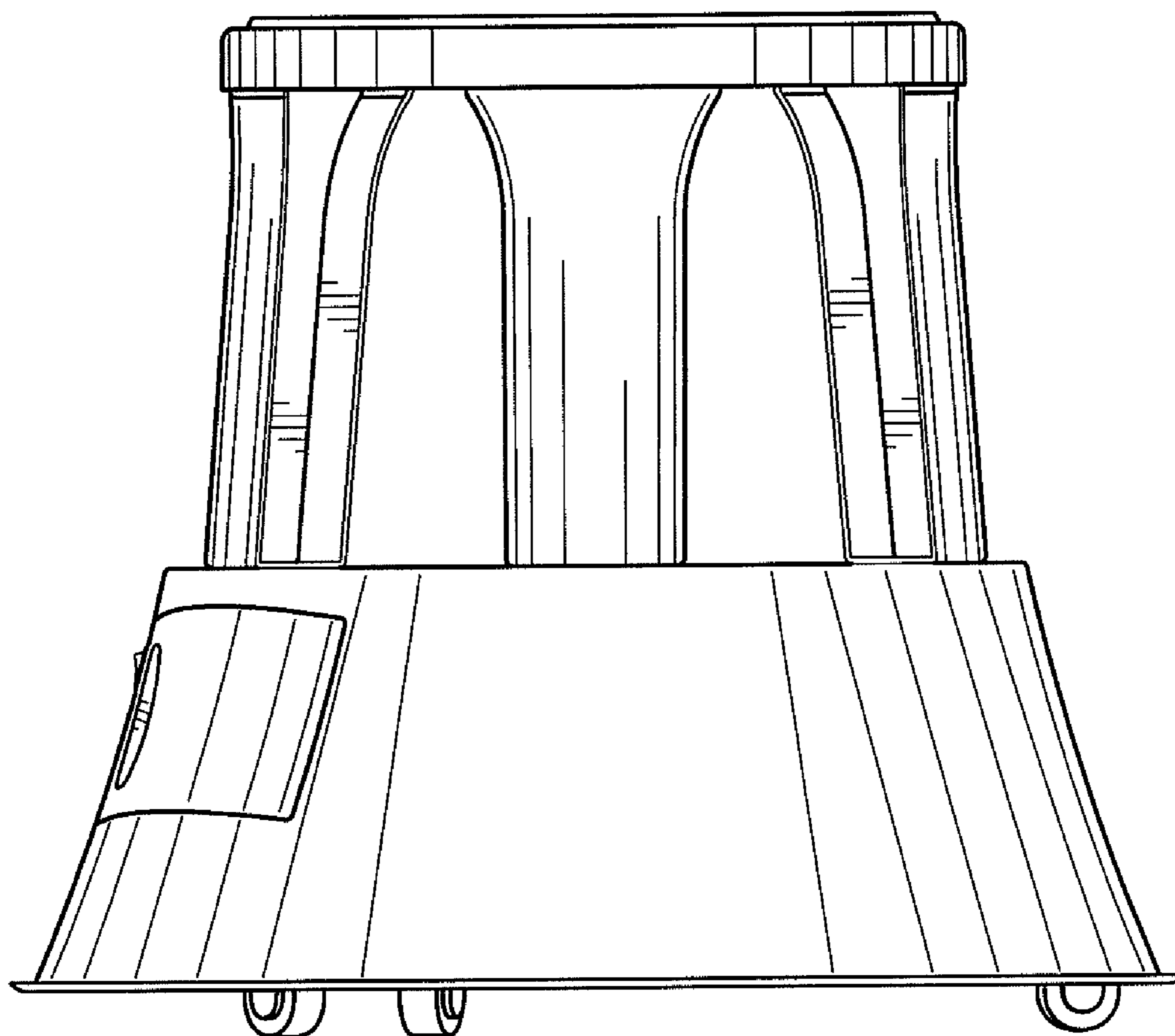


FIG. 2

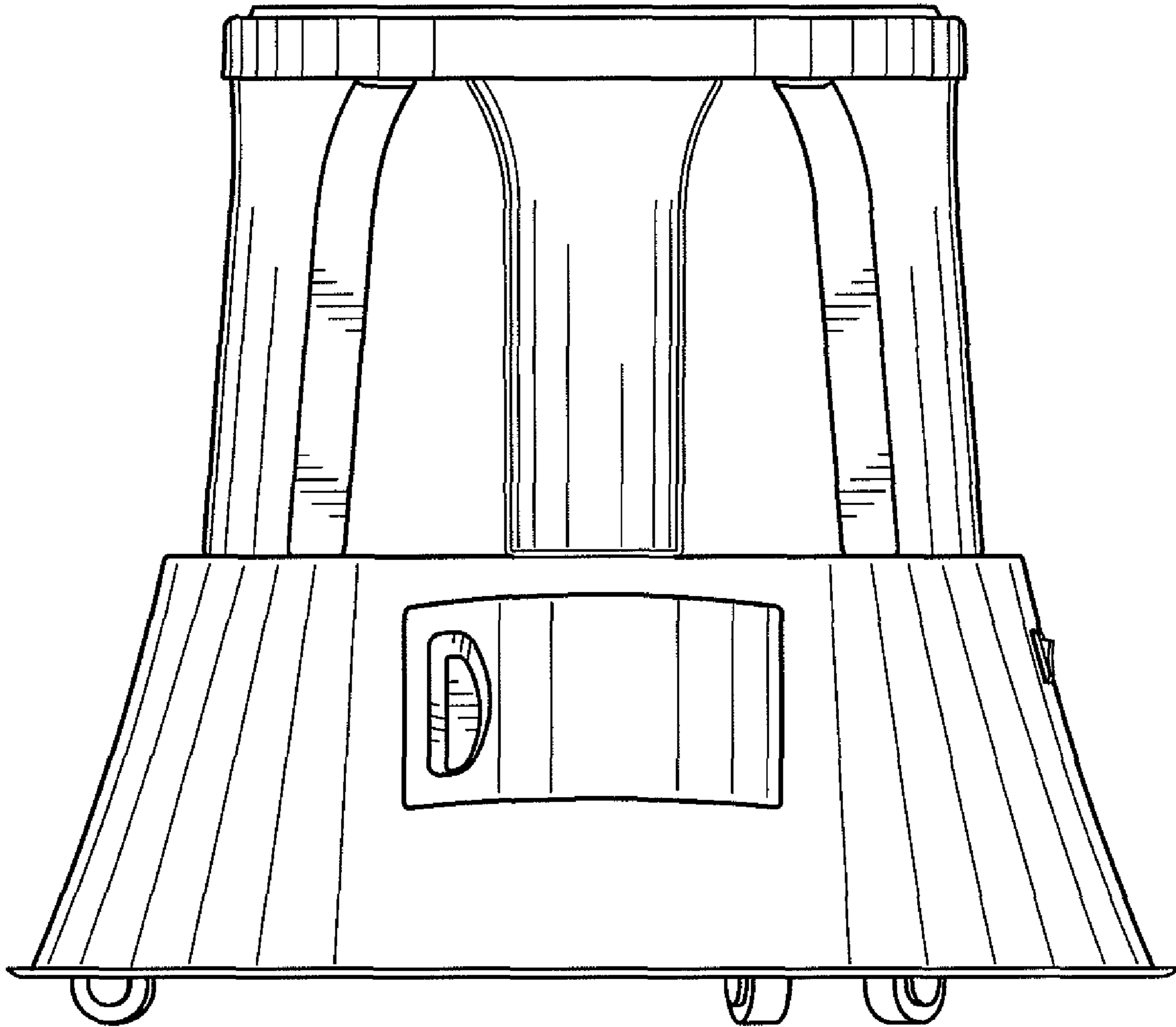


FIG. 3

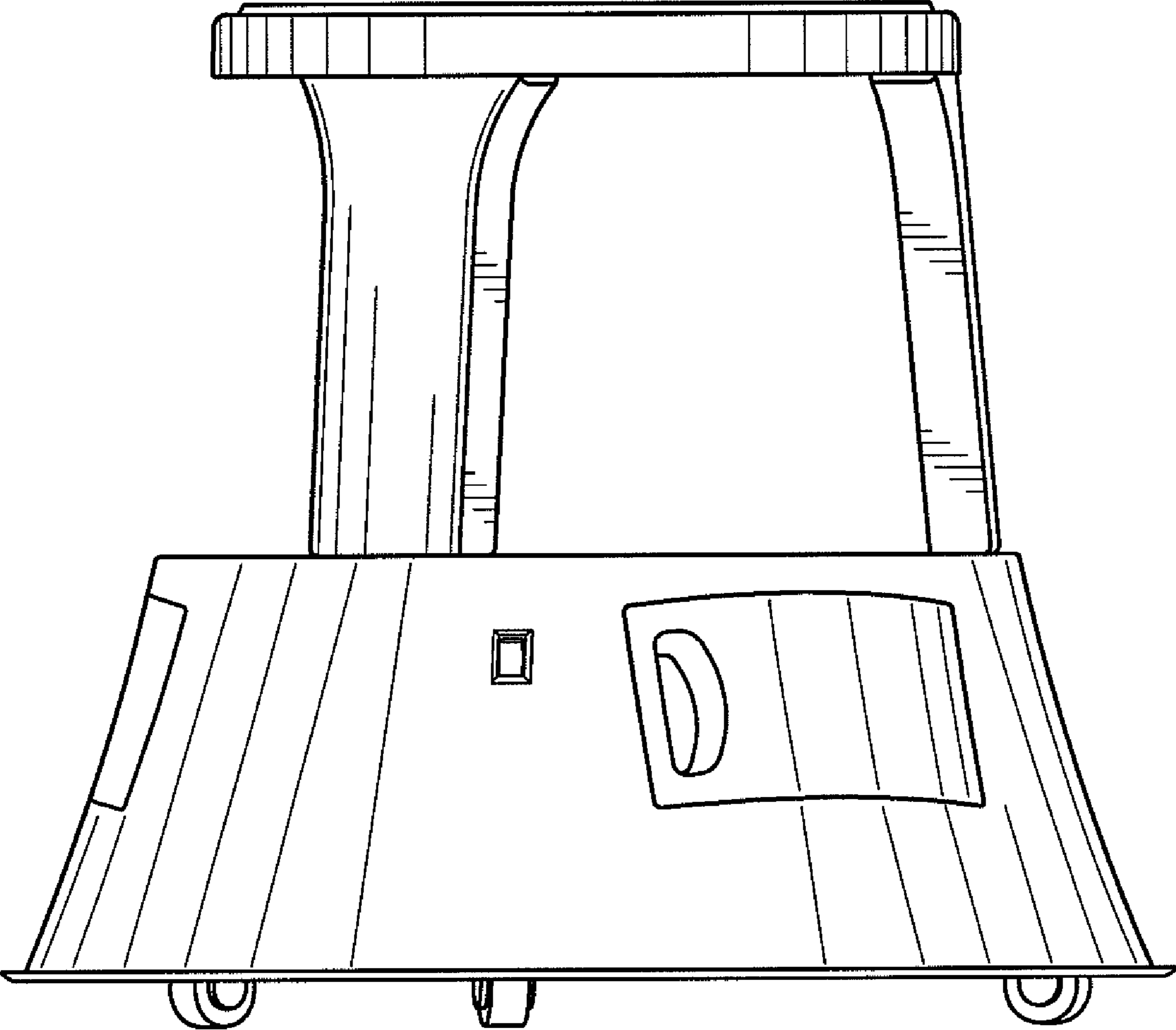


FIG. 4

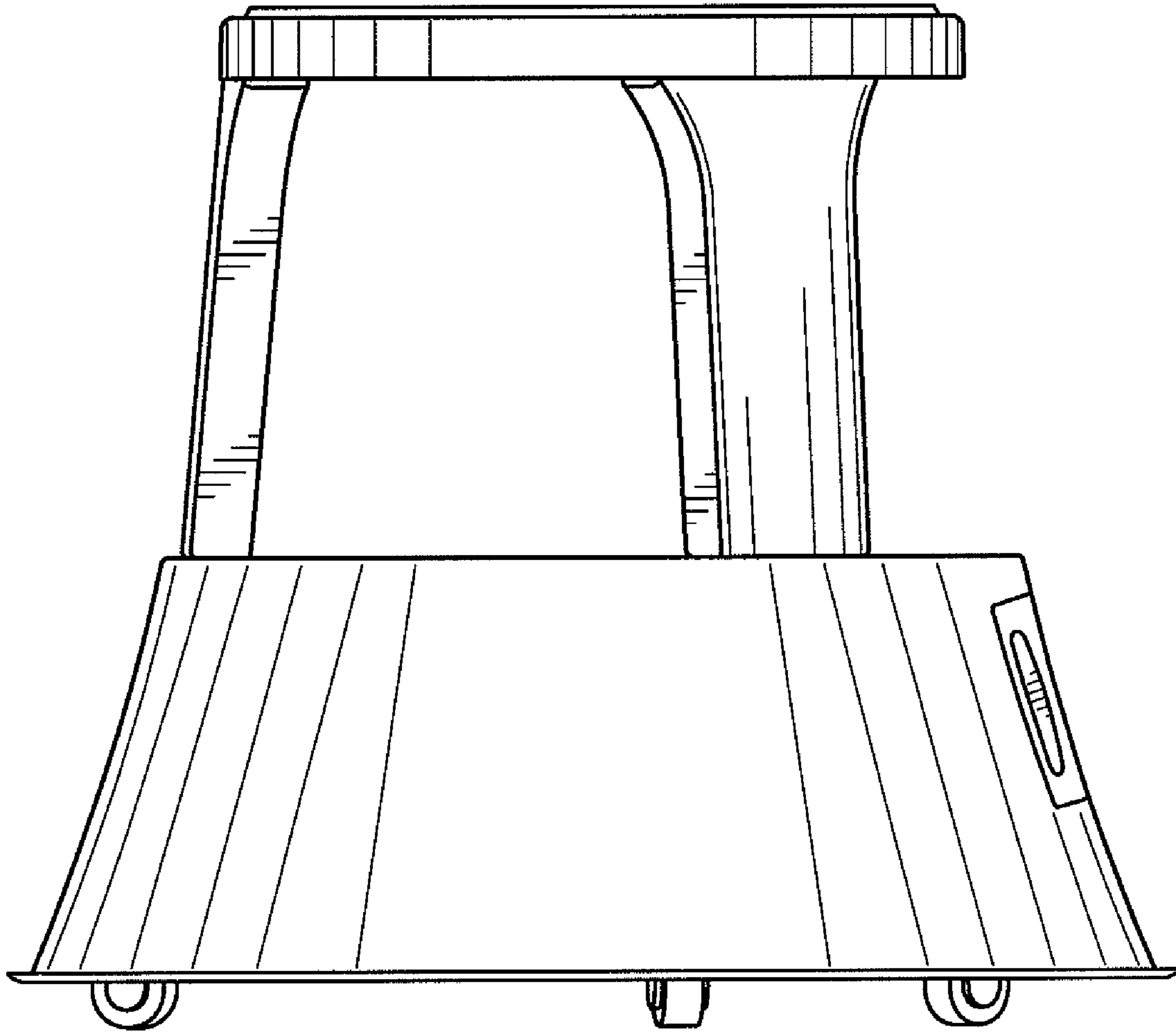


FIG. 5

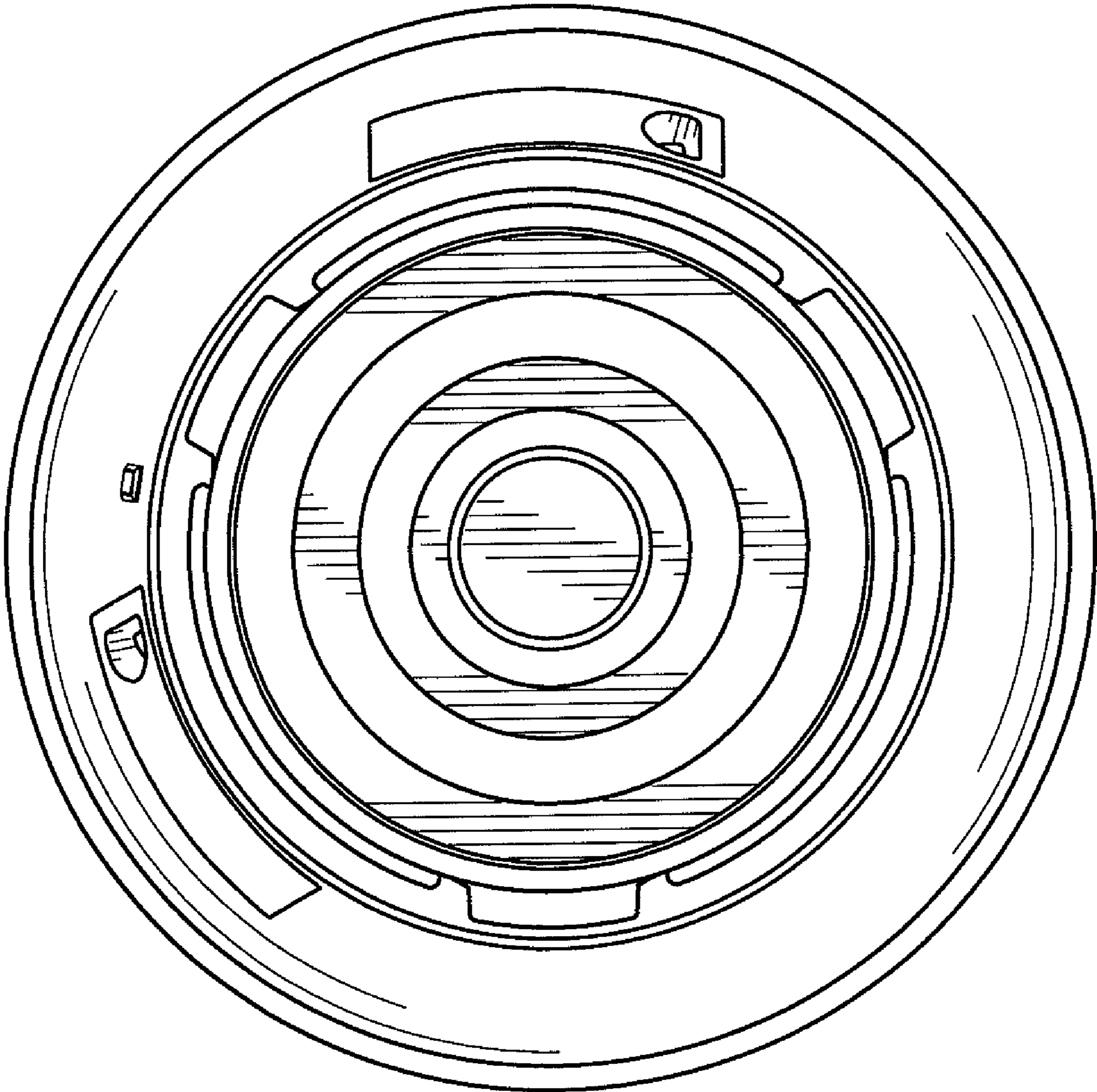


FIG. 6

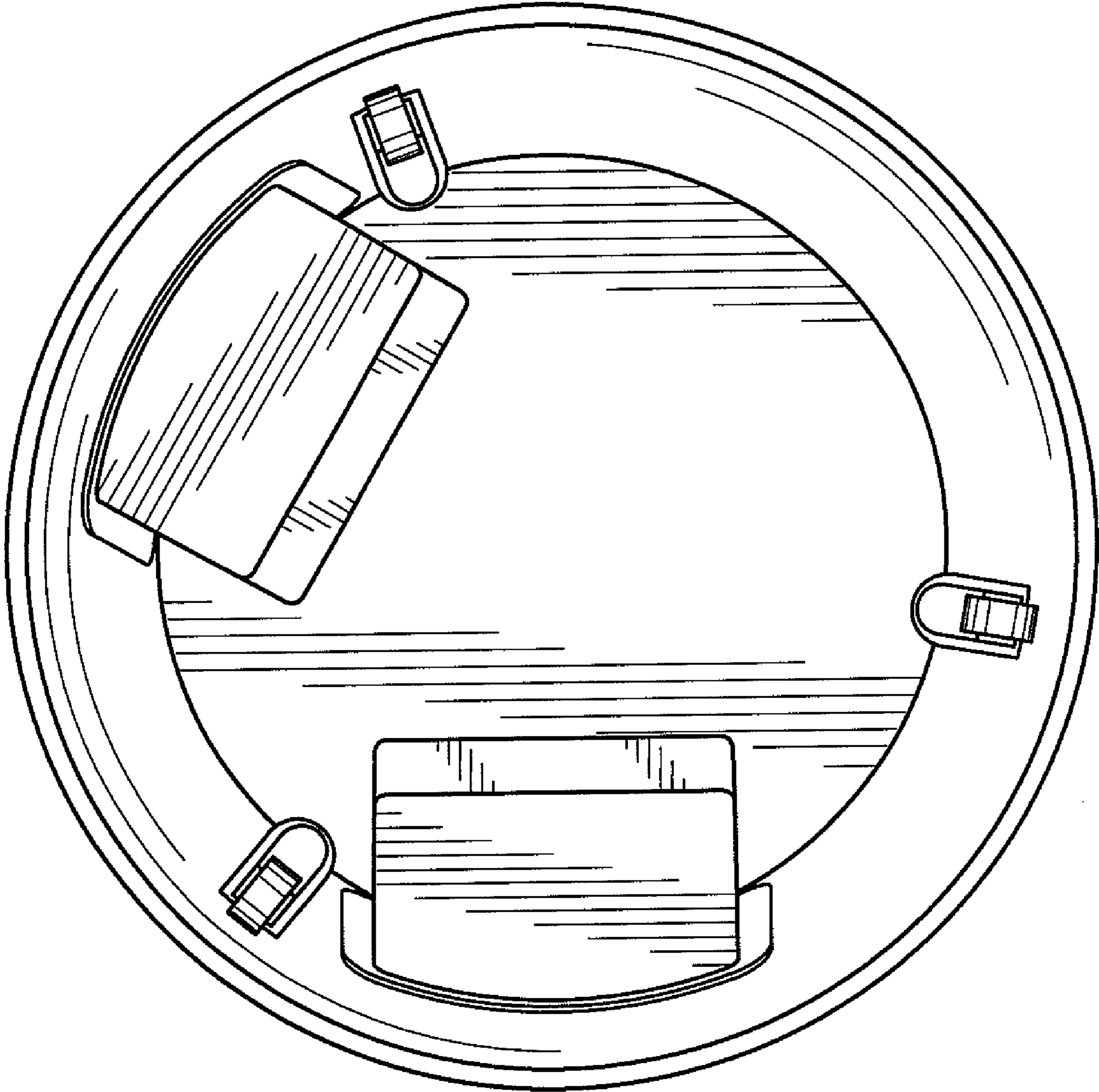


FIG. 7

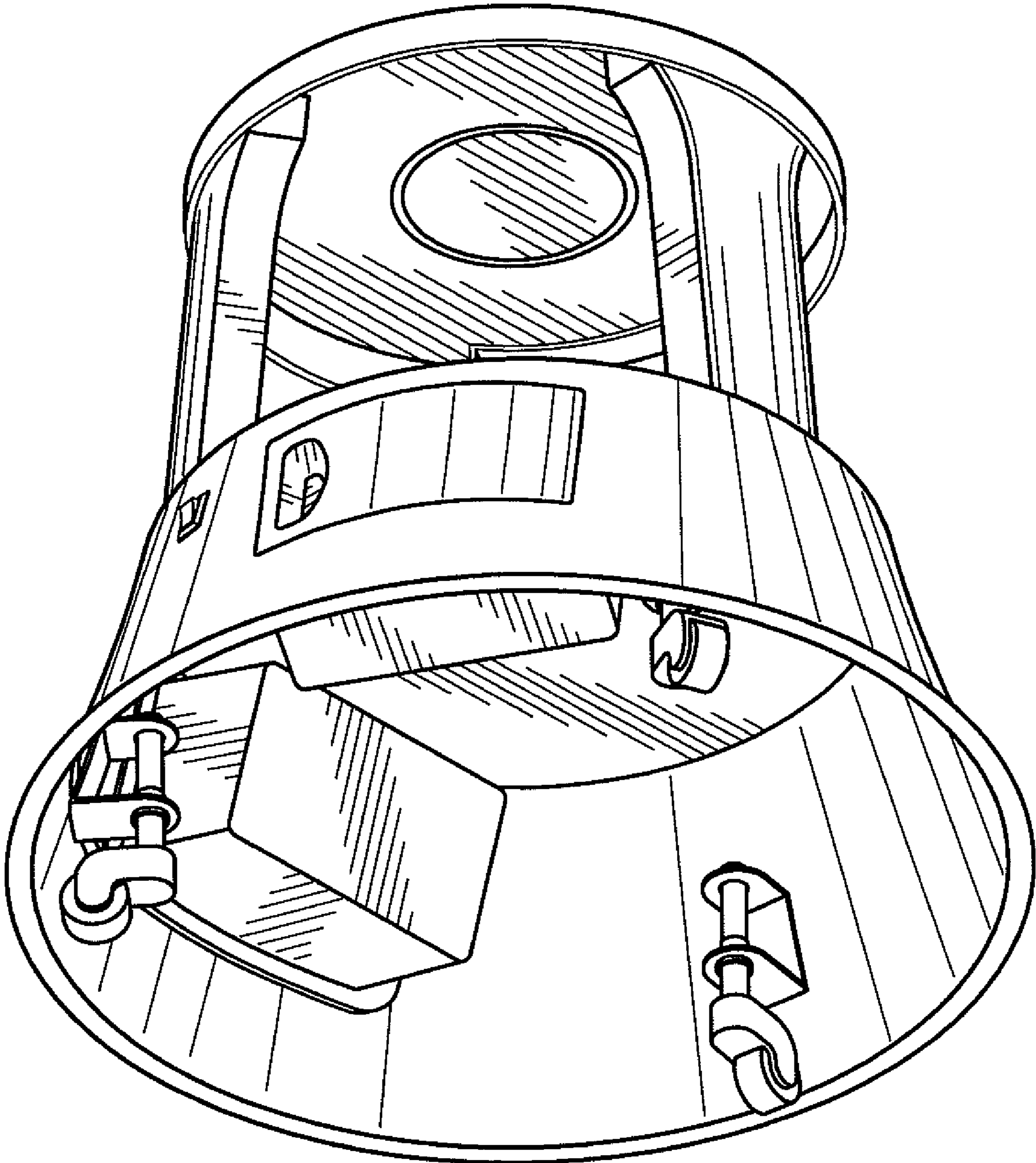


FIG. 8