



US00D640877S

(12) **United States Design Patent**
Kuo

(10) **Patent No.:** **US D640,877 S**

(45) **Date of Patent:** **** Jul. 5, 2011**

(54) **ADJUSTABLE MULTI-HANGER**

(76) Inventor: **Stanley Kuo**, Taipei (TW)

(**) Term: **14 Years**

(21) Appl. No.: **29/378,907**

(22) Filed: **Nov. 11, 2010**

(30) **Foreign Application Priority Data**

Dec. 30, 2009 (TW) 098306379

(51) **LOC (9) Cl.** **06-08**

(52) **U.S. Cl.** **D6/323**

(58) **Field of Classification Search** D6/315,
D6/320, 322, 323, 324, 328; D8/367, 372;
211/13.1, 85.3, 86.01, 181.1, 183; 223/85-98
See application file for complete search history.

(56) **References Cited**

U.S. PATENT DOCUMENTS

D275,437 S *	9/1984	Mize	D6/315
D369,909 S *	5/1996	Sacks	D6/315
D382,717 S *	8/1997	Rolnick et al.	D6/315
D383,315 S *	9/1997	Woodring	D6/315
D404,577 S *	1/1999	Schildkraut	D6/315

D411,372 S *	6/1999	Woodring	D6/315
D425,710 S *	5/2000	Willardson	D6/328
D457,331 S *	5/2002	Pinchuk	D6/315
D533,360 S *	12/2006	Chan	D6/315
D541,536 S *	5/2007	Christianson	D6/315
D621,625 S *	8/2010	Sharp	D6/315

* cited by examiner

Primary Examiner — Shanda C Hill

(74) *Attorney, Agent, or Firm* — WPAT, PC; Justin King

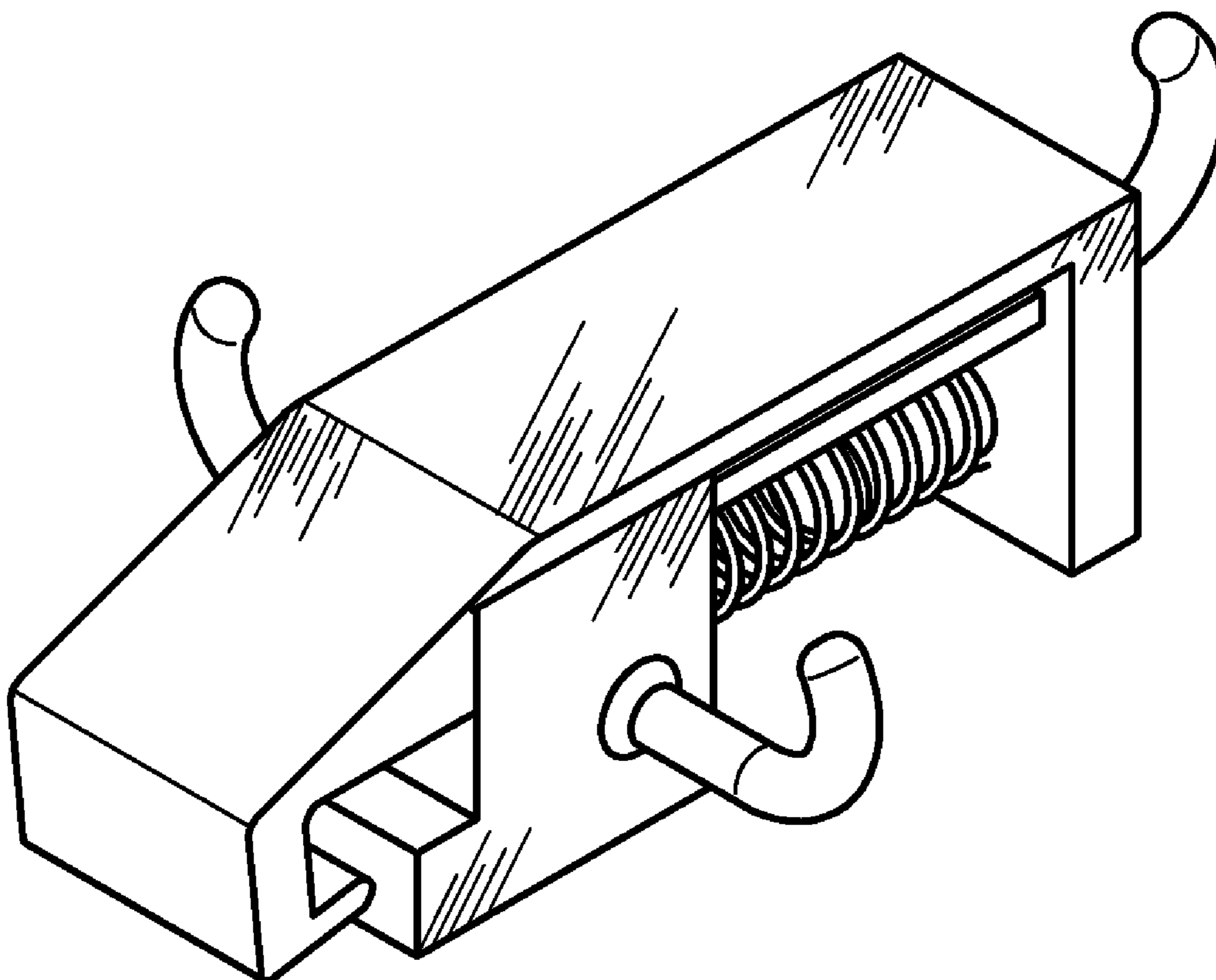
(57) **CLAIM**

The ornamental design for an adjustable multi-hanger, as shown and described.

DESCRIPTION

FIG. 1 is a perspective view of an adjustable multi-hanger showing my new design;
FIG. 2 is a front view thereof;
FIG. 3 is a rear view thereof;
FIG. 4 is a left view thereof;
FIG. 5 is a right view thereof;
FIG. 6 is a top plan view thereof; and,
FIG. 7 is a bottom plan view thereof.

1 Claim, 4 Drawing Sheets



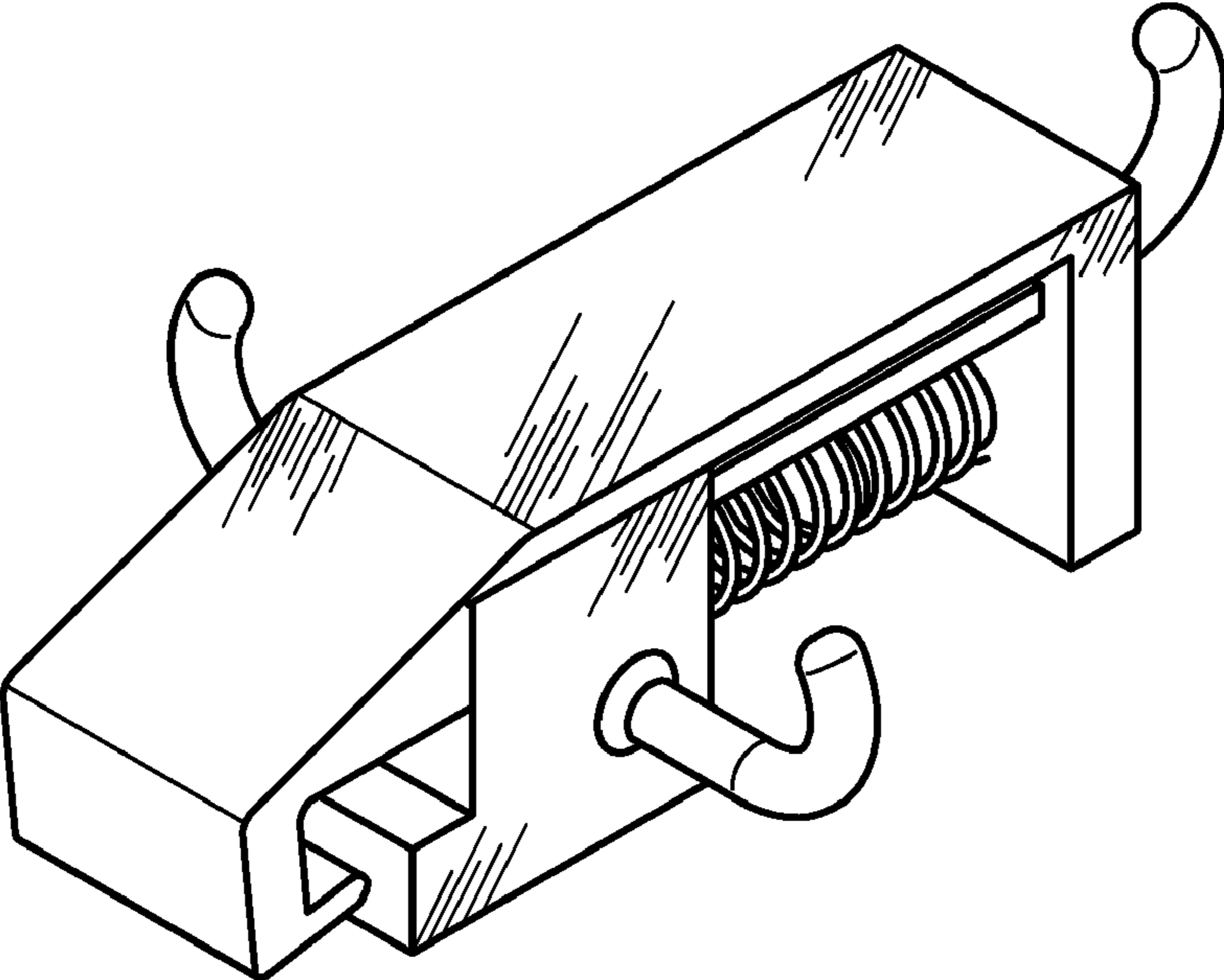


FIG.1

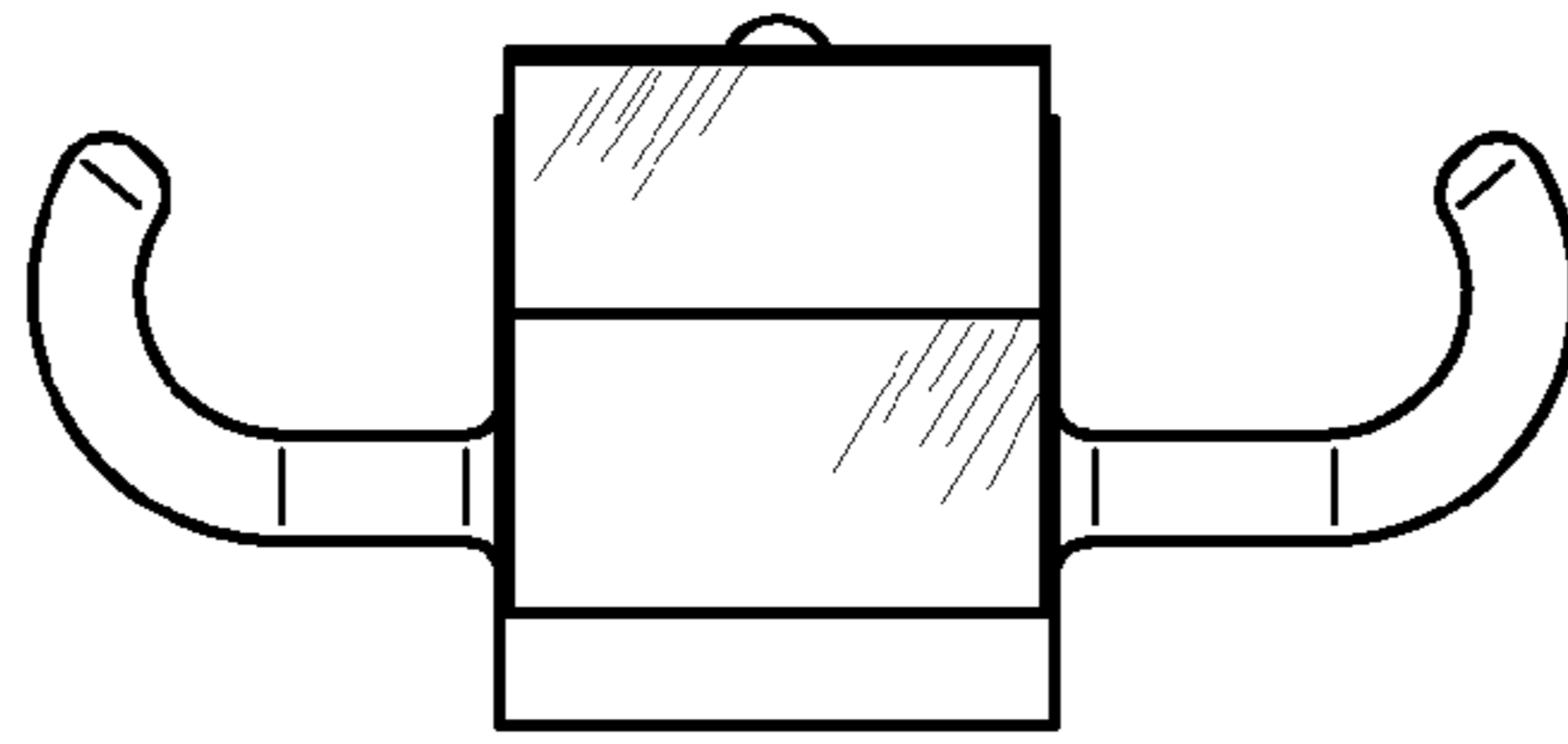


FIG. 2

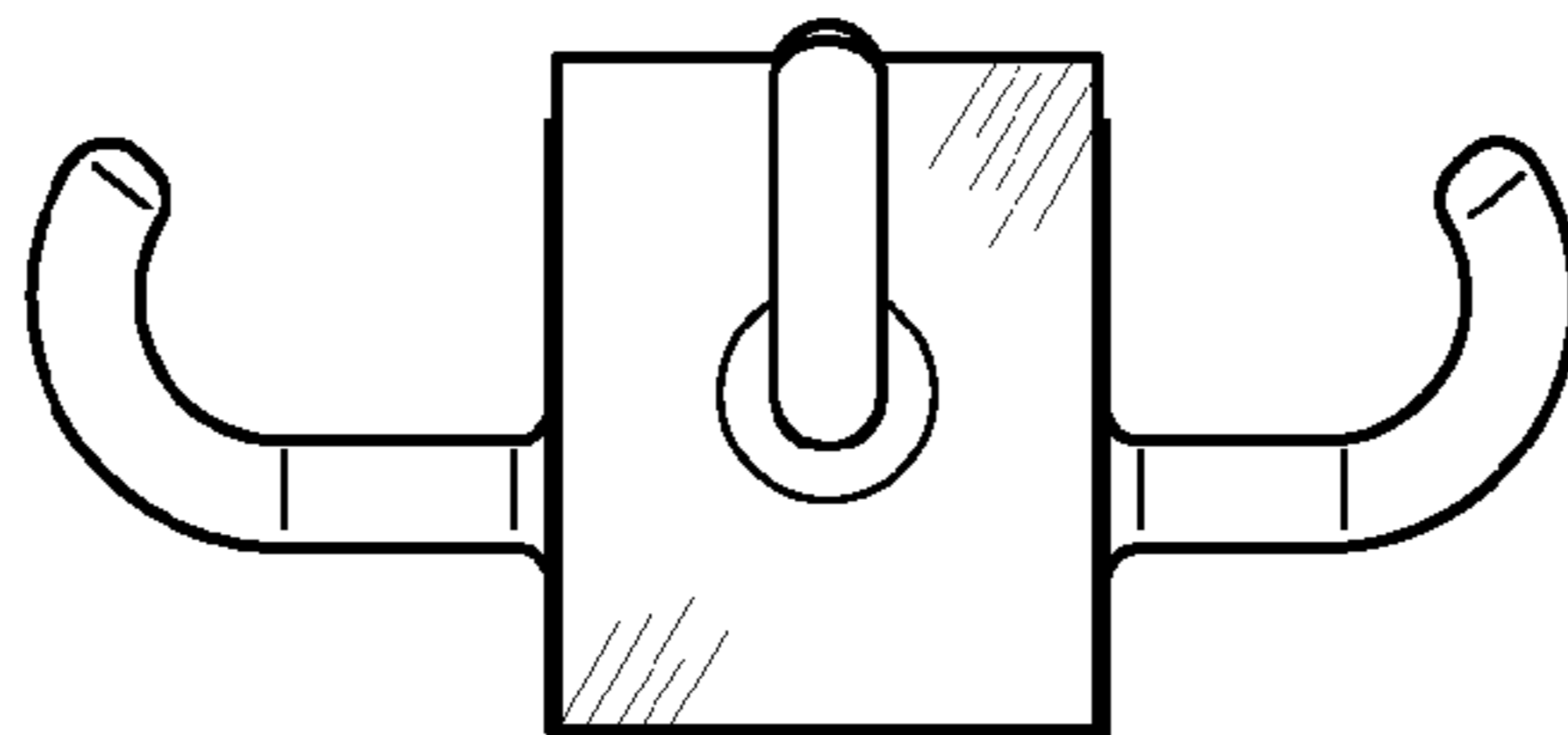


FIG. 3

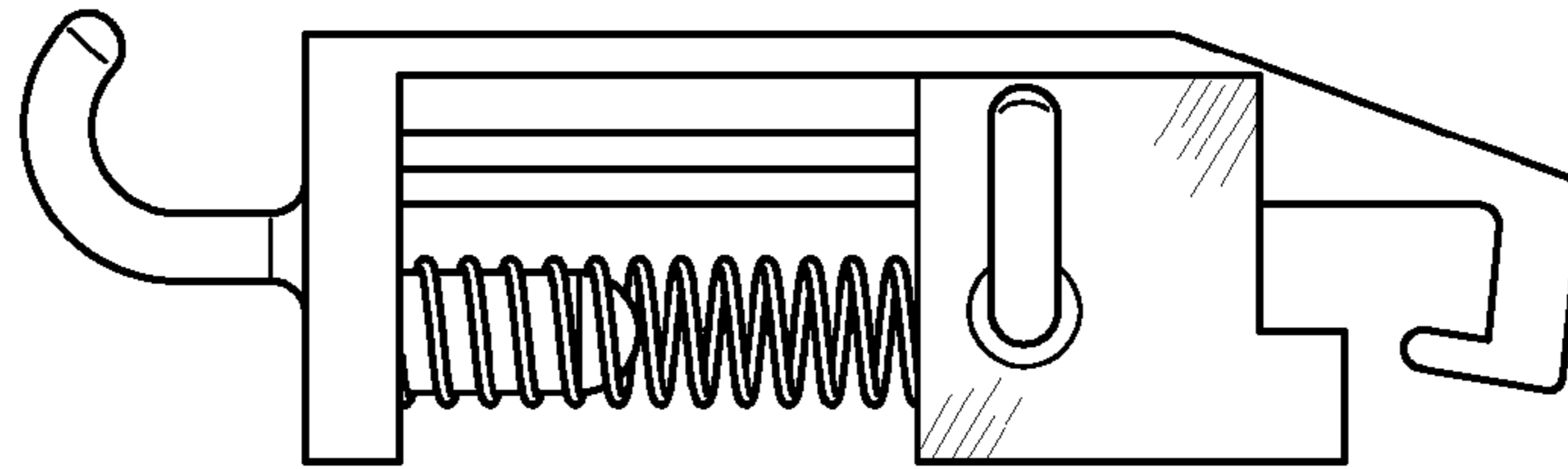


FIG. 4

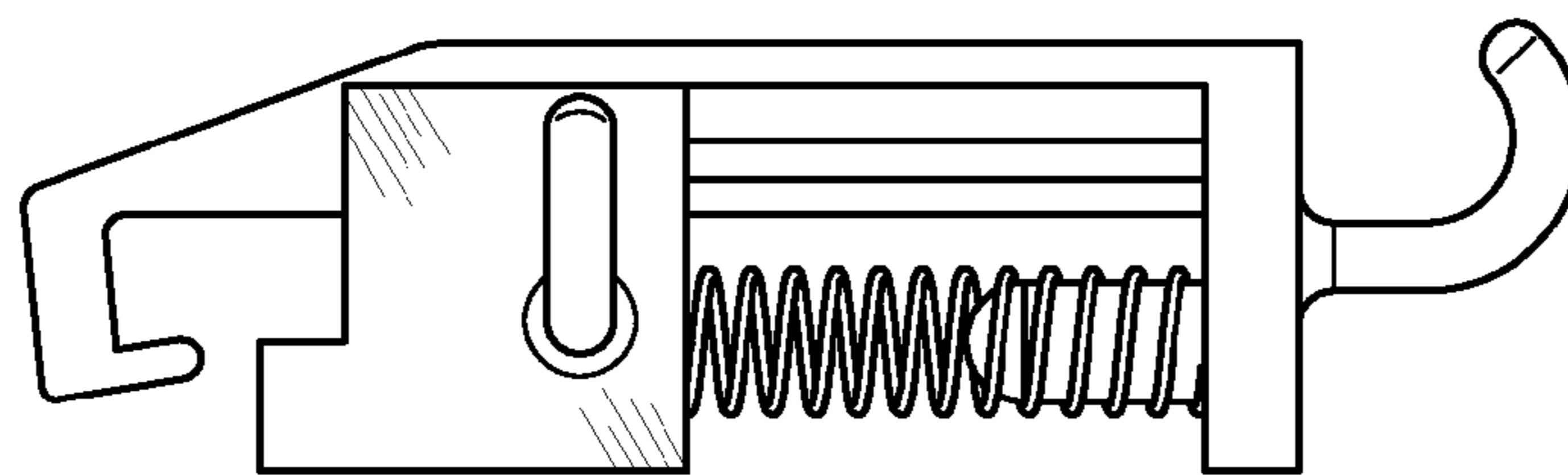


FIG. 5

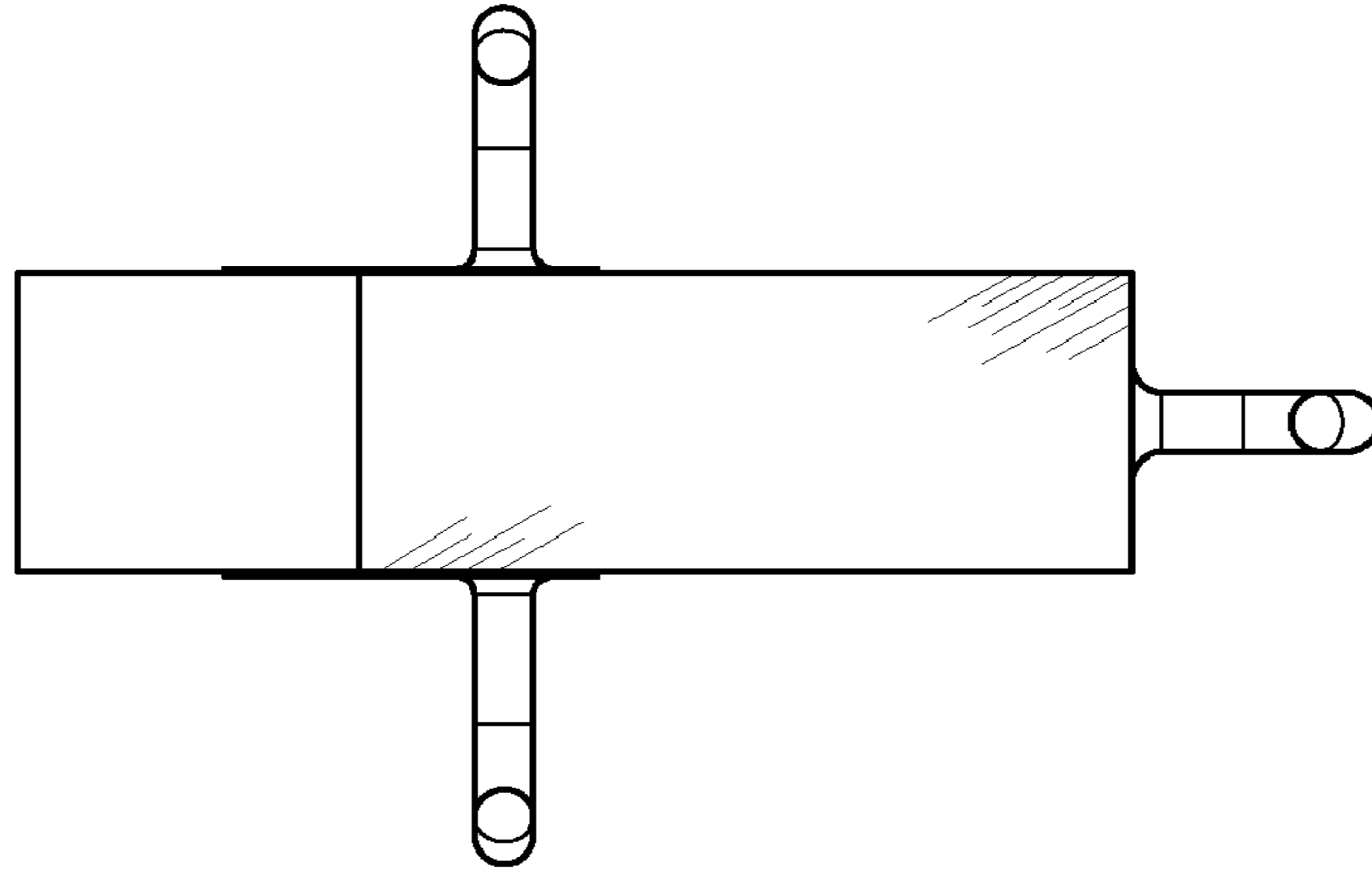


FIG. 6

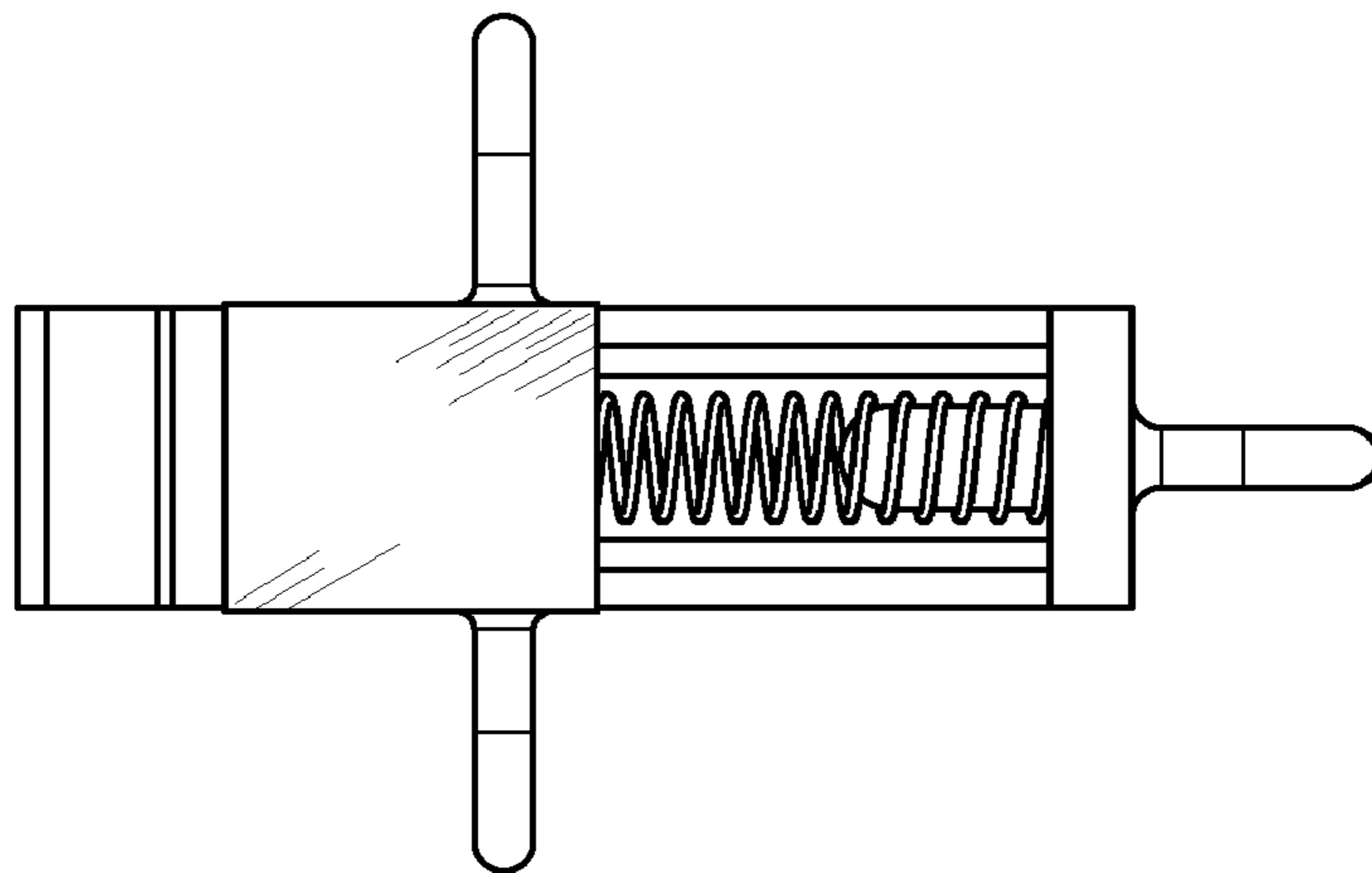


FIG. 7