



US00D640870S

(12) **United States Design Patent**
Regan et al.

(10) **Patent No.:** **US D640,870 S**

(45) **Date of Patent:** **** Jul. 5, 2011**

(54) **PRINT MEDIA CASE**

(75) Inventors: **Michael Regan**, Dublin (IE);
Arunkumar Madanagopal, San Diego,
CA (US); **Erin Parker Simon**,
Richmond, VA (US)

(73) Assignee: **Hewlett-Packard Development
Company, L.P.**, Houston, TX (US)

(**) Term: **14 Years**

(21) Appl. No.: **29/376,605**

(22) Filed: **Oct. 8, 2010**

(51) **LOC (9) Cl.** **03-01**

(52) **U.S. Cl.** **D3/299**

(58) **Field of Classification Search** D3/232-233,
D3/240-246, 272-273, 279, 299; 150/100,
150/103-110, 113-114, 118-119; 206/307,
206/308.1-308.3, 575, 574, 217, 541

See application file for complete search history.

(56) **References Cited**

U.S. PATENT DOCUMENTS

D306,654 S * 3/1990 Brown D3/299

D406,456 S * 3/1999 McDermott D3/232
D620,258 S * 7/2010 Fahrendorff D3/299
D631,247 S * 1/2011 Sabbah D3/232

* cited by examiner

Primary Examiner — Holly Baynham

(57) **CLAIM**

The ornamental design for a print media case, substantially as shown and described.

DESCRIPTION

FIG. 1 is a front-right perspective view of the design for the print media case with a lid in a closed position;

FIG. 2 is a front view thereof;

FIG. 3 is a rear view thereof;

FIG. 4 is a top view thereof;

FIG. 5 is a bottom view thereof; and

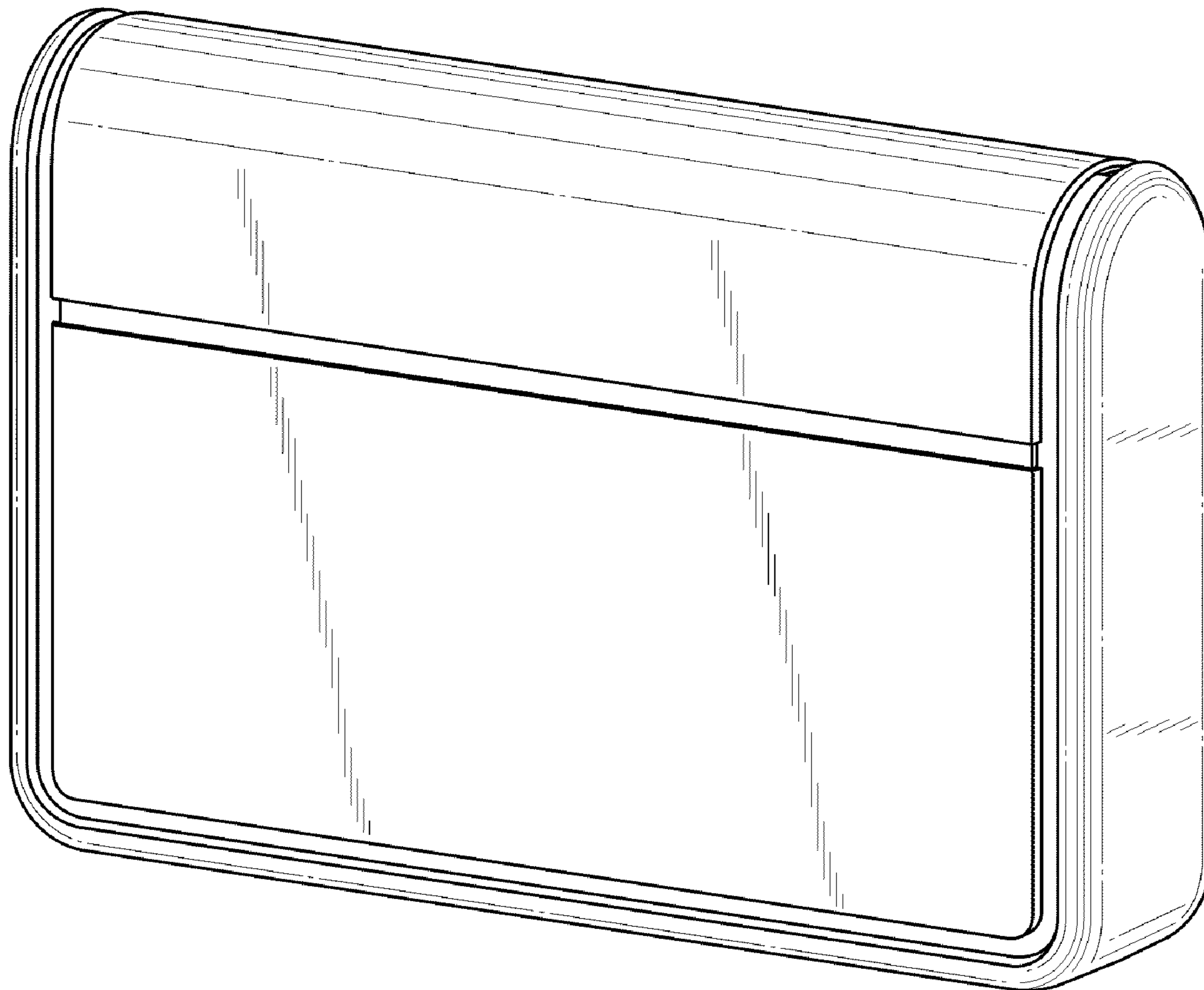
FIG. 6 is a right side view thereof;

FIG. 7 is a left side view thereof; and,

FIG. 8 is a front-right perspective view of the design for the print media case with the lid in an open position.

The broken lines representing a media element is for the purposes of illustrating environment and forms no part of the claimed design.

1 Claim, 6 Drawing Sheets



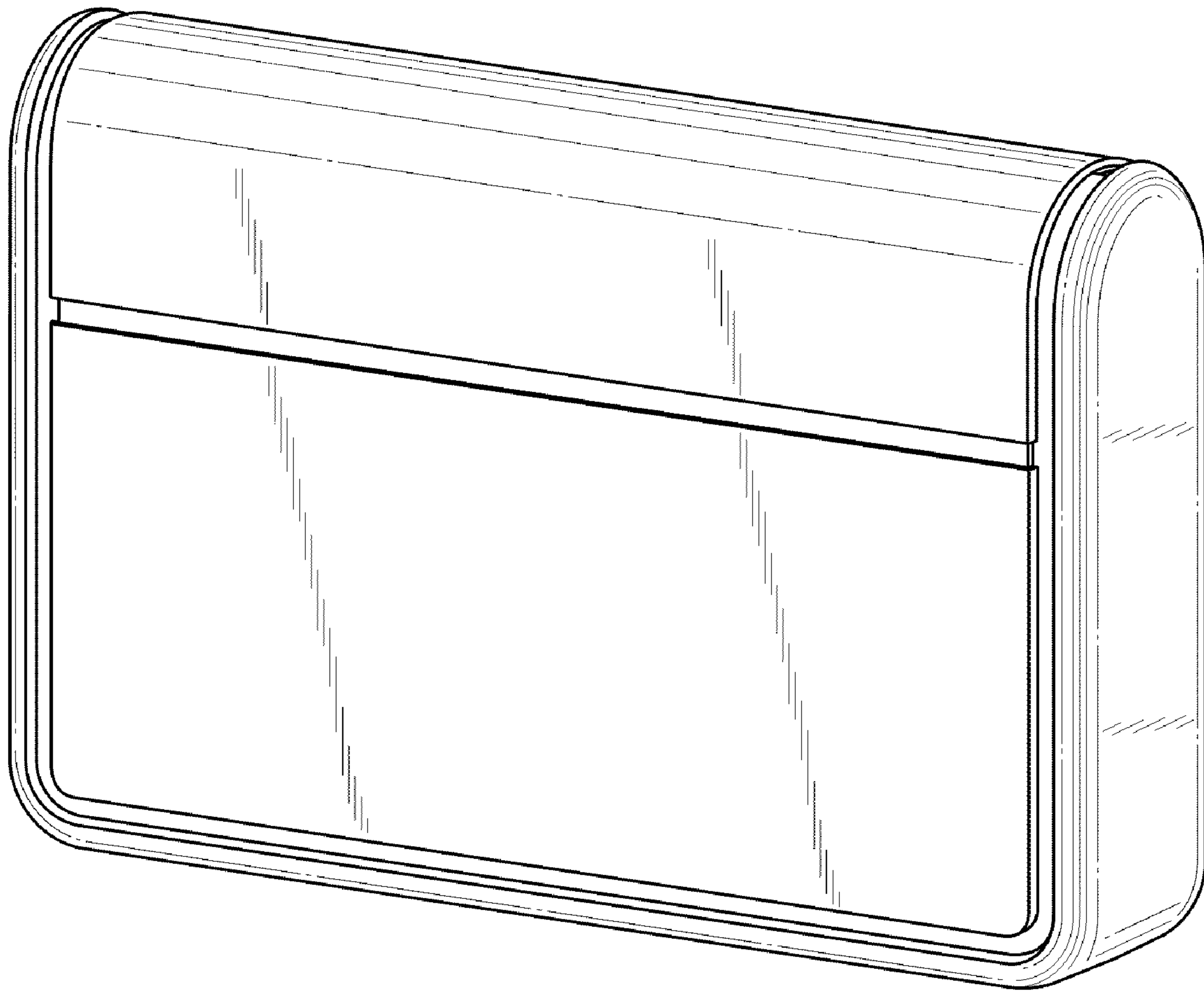


Fig. 1

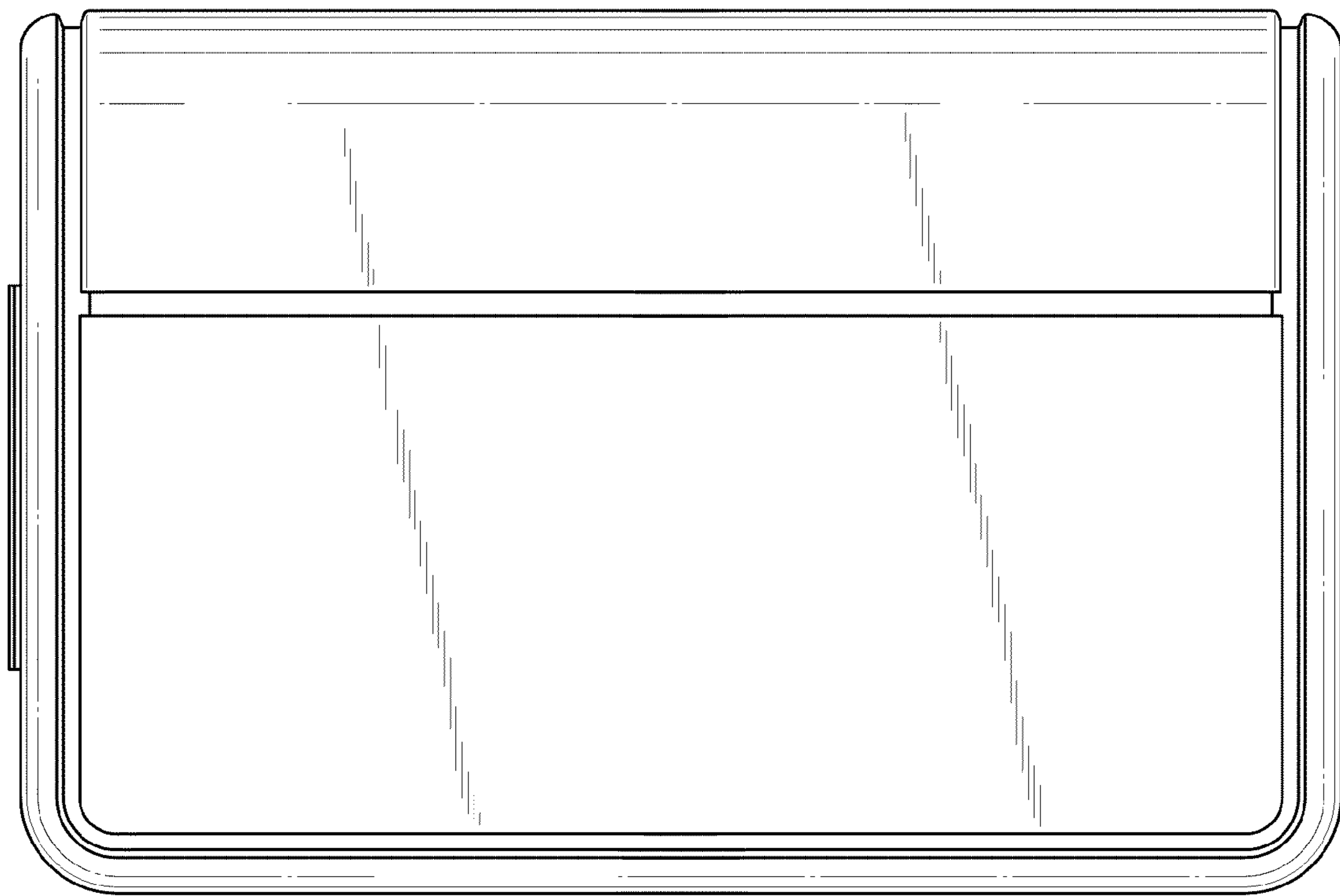


Fig. 2

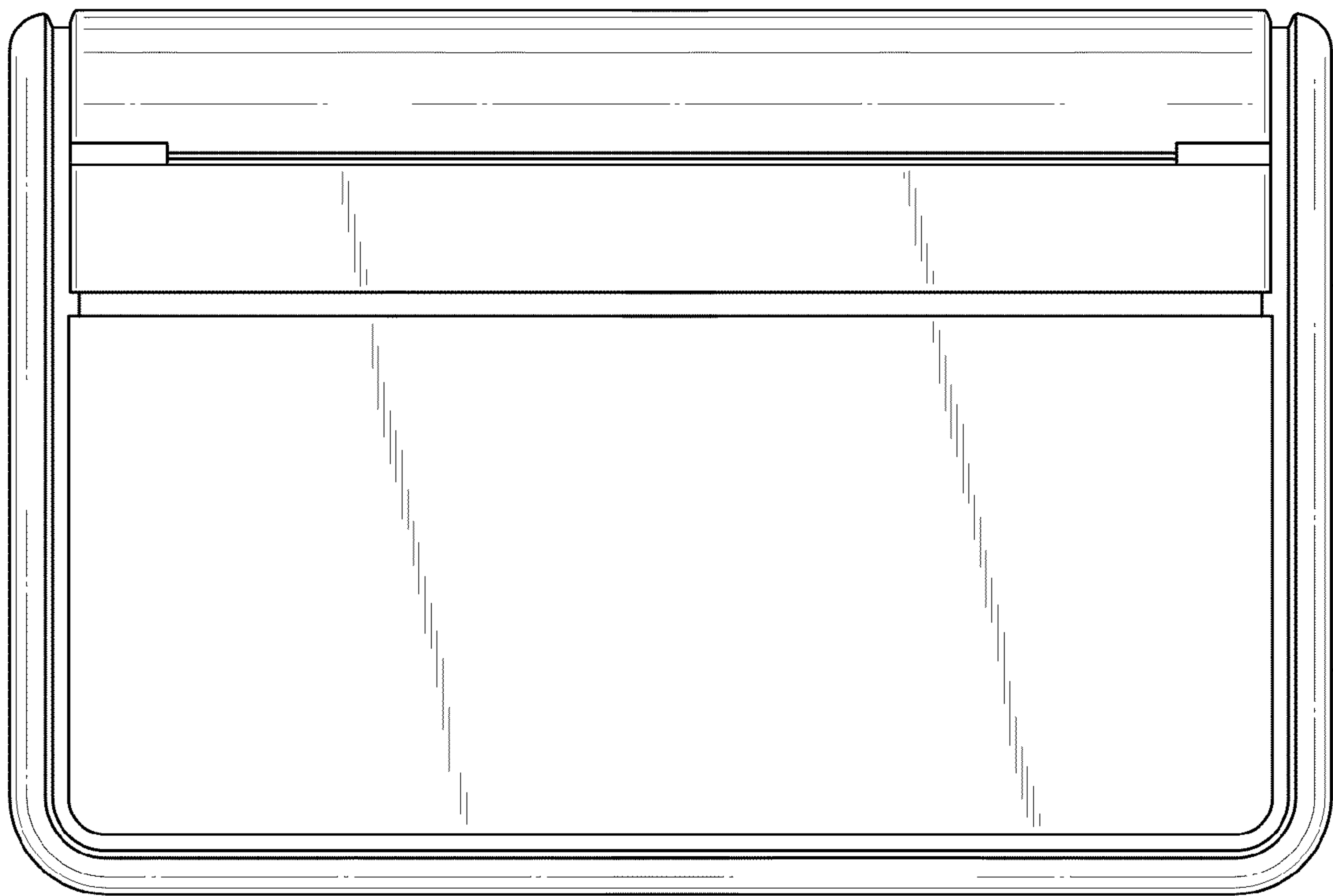


Fig. 3

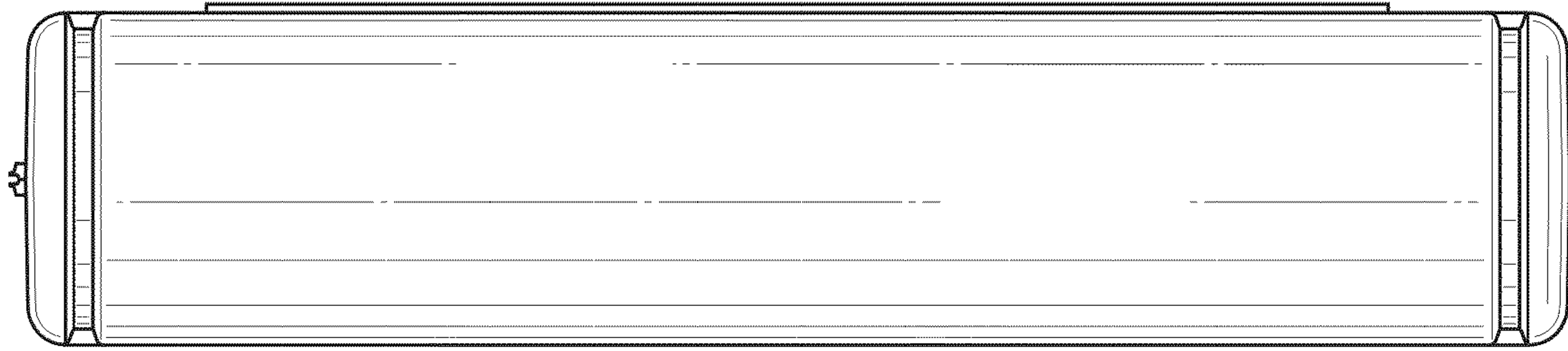


Fig. 4

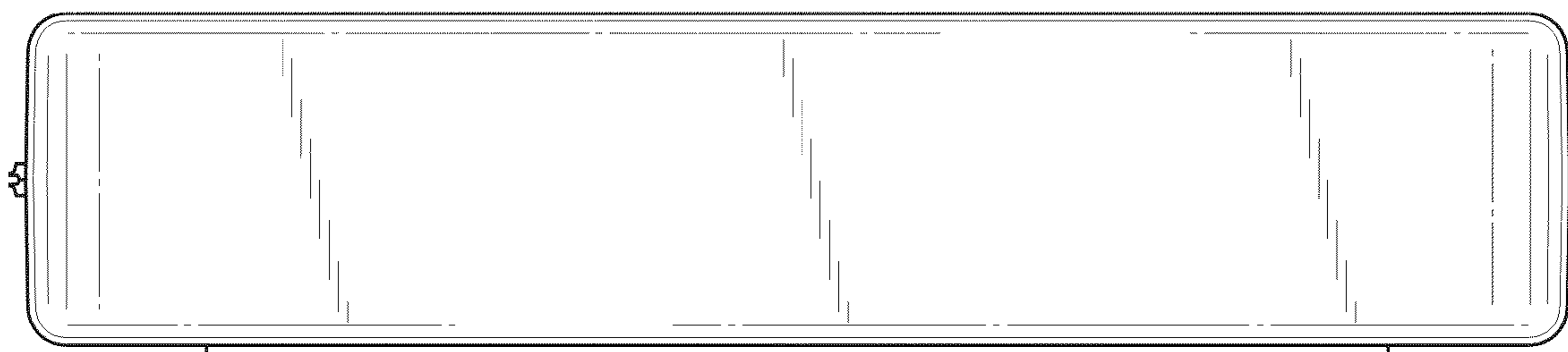


Fig. 5

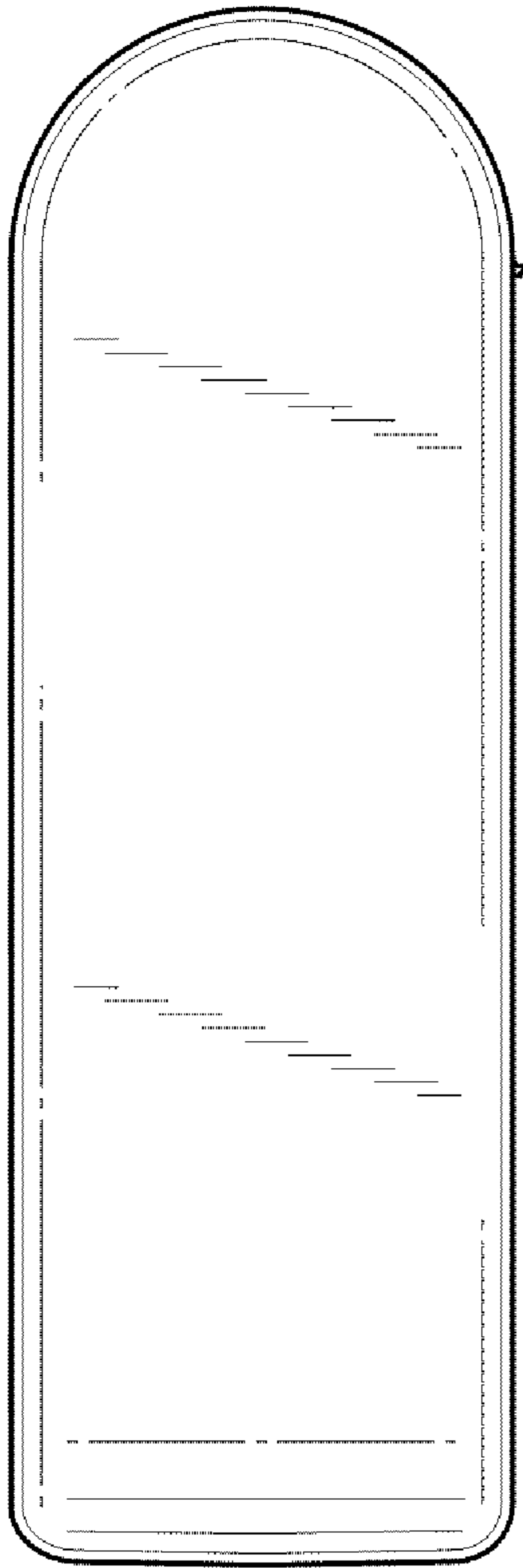


Fig. 6

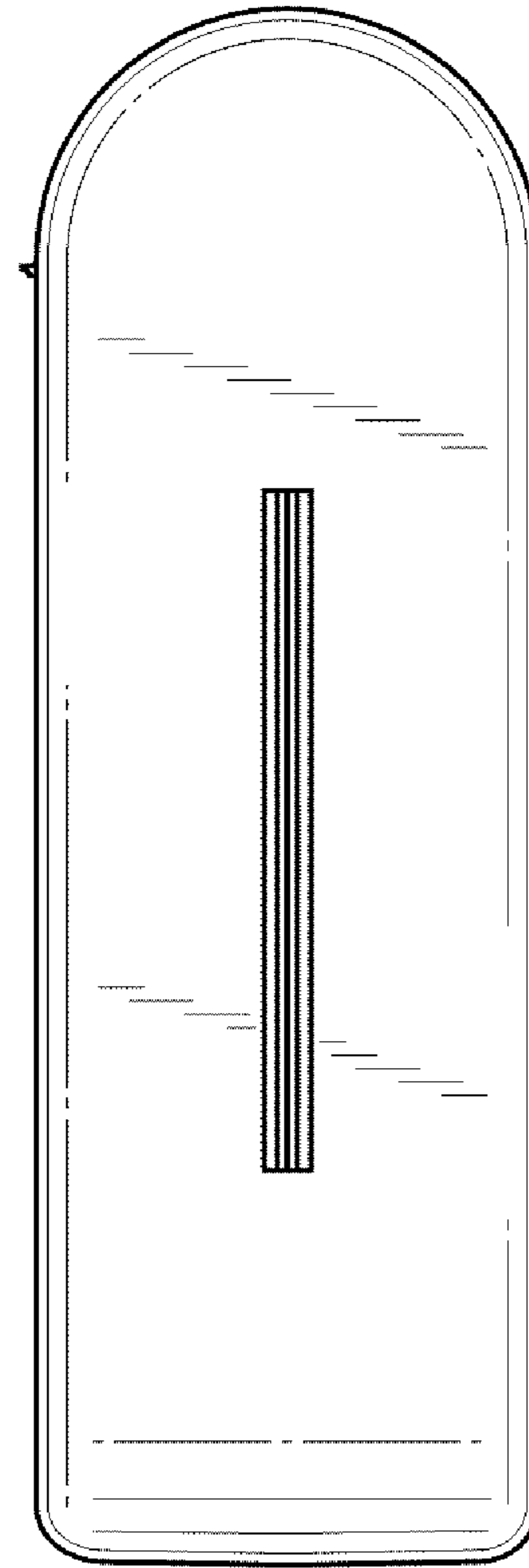


Fig. 7

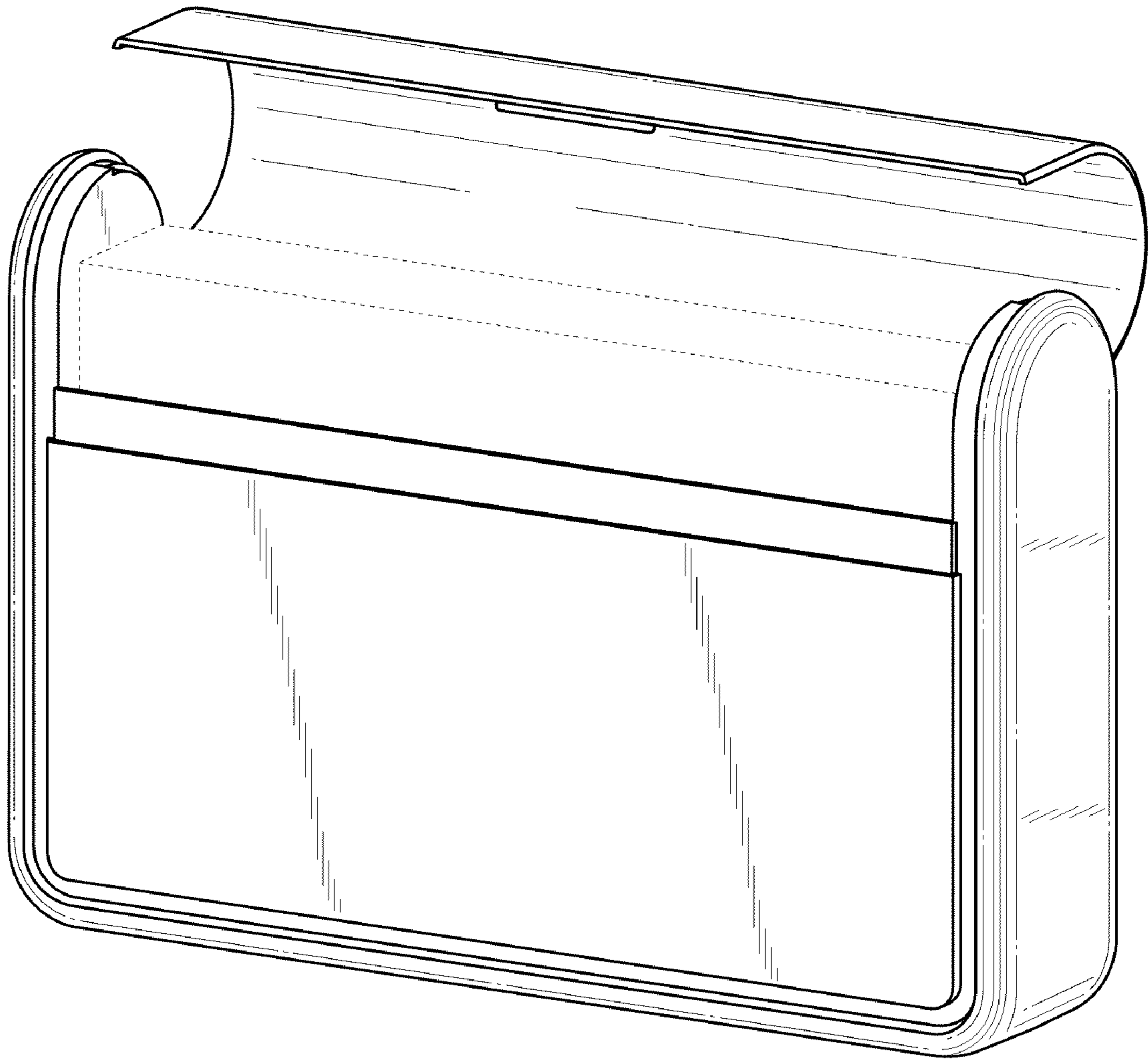


Fig. 8