



US00D640869S

(12) **United States Design Patent**
Katz et al.

(10) **Patent No.:** **US D640,869 S**

(45) **Date of Patent:** **** Jul. 5, 2011**

(54) **ROLLING CONTAINER ASSEMBLY**

(75) Inventors: **Amir Katz**, Bat-Heffer (IL); **Eitan Landau**, Ramat-Gan (IL)

(73) Assignee: **The Stanley Works Israel Ltd.**, Rosh Ha' Ayin (IL)

(**) Term: **14 Years**

(21) Appl. No.: **29/341,862**

(22) Filed: **Aug. 13, 2009**

(51) **LOC (9) Cl.** **03-01**

(52) **U.S. Cl.** **D3/279**

(58) **Field of Classification Search** D3/272,
D3/273, 276, 281, 282, 291, 294, 302, 307,
D3/318, 905; D34/29; 190/19, 24; 206/349,
206/372, 373; 220/4.27; 280/47.18, 47.19,
280/47.35; 414/490

See application file for complete search history.

(56) **References Cited**

U.S. PATENT DOCUMENTS

4,118,048	A *	10/1978	Spranger et al.	280/47.35
5,518,258	A *	5/1996	Cox	280/30
5,683,097	A *	11/1997	Fenton et al.	280/655.1
D437,484	S *	2/2001	Tiramani et al.	D3/279
6,347,847	B1 *	2/2002	Tiramani et al.	312/108
6,371,320	B2 *	4/2002	Sagol	220/4.27
D462,170	S *	9/2002	Chen et al.	D3/279
6,601,930	B2 *	8/2003	Tiramani et al.	312/108
D482,171	S *	11/2003	Vui et al.	D34/25

6,983,946	B2 *	1/2006	Sullivan et al.	280/79.11
7,328,905	B2 *	2/2008	Guirlinger	280/47.19
7,503,569	B2 *	3/2009	Duvigneau	280/47.18
2002/0030336	A1 *	3/2002	Bootsman	280/47.19
2007/0273114	A1 *	11/2007	Katz	280/47.18
2009/0288970	A1 *	11/2009	Katz et al.	206/349
2010/0052276	A1 *	3/2010	Brunner	280/47.35
2010/0290877	A1 *	11/2010	Landau et al.	414/490

* cited by examiner

Primary Examiner — Karen E Eldridge Powers

(74) *Attorney, Agent, or Firm* — Pillsbury Winthrop Shaw Pittman LLP

(57) **CLAIM**

The ornamental design for a rolling container assembly, as shown and described.

DESCRIPTION

FIG. 1 is a perspective isometric view according to my design;

FIG. 2 is a front elevation view of the design of FIG. 1;

FIG. 3 is a rear elevation view of the design of FIG. 1;

FIG. 4 is a left side elevation view of the design of FIG. 1;

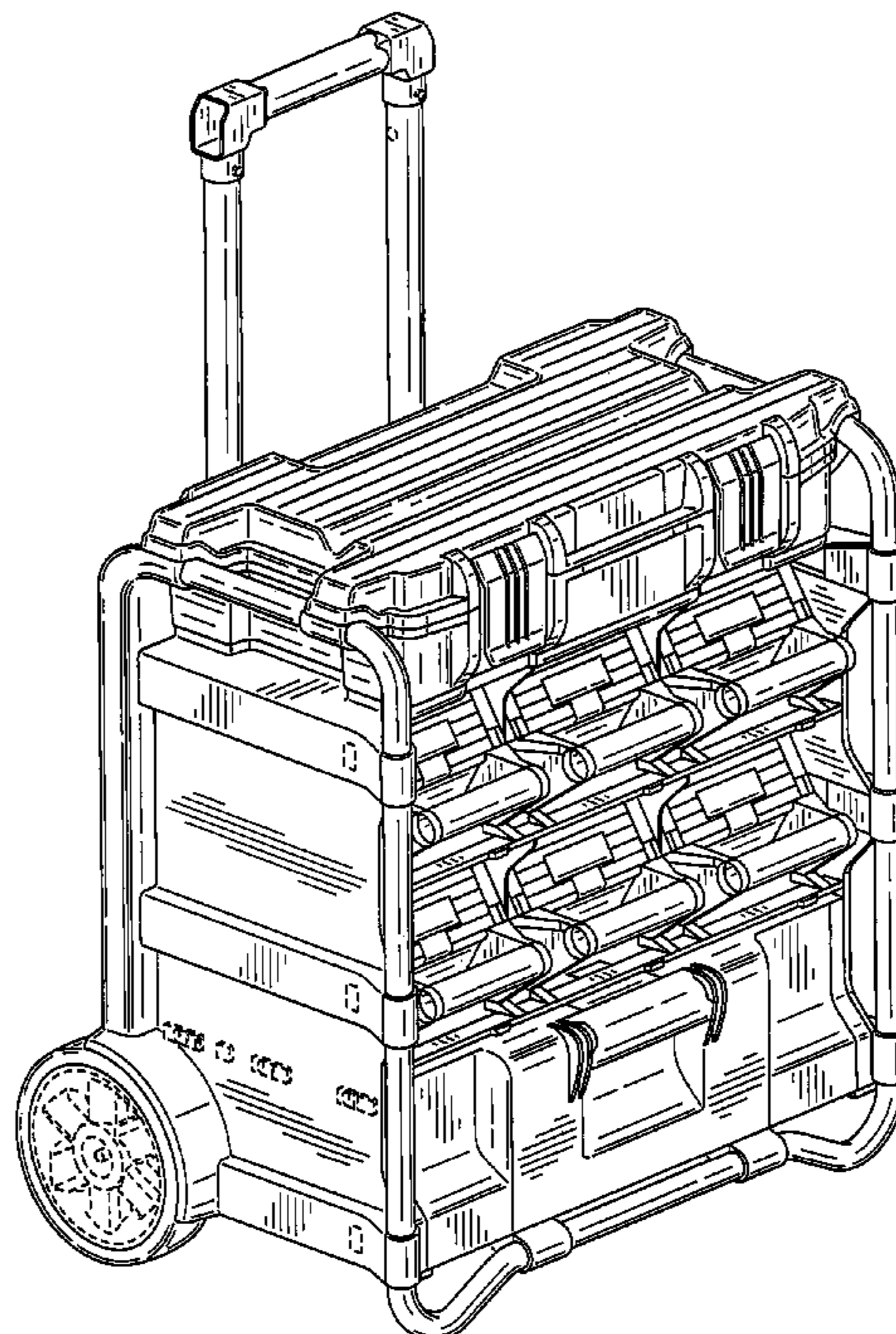
FIG. 5 is a right side elevation view of the design of FIG. 1;

FIG. 6 is a top plan view of the design of FIG. 1; and,

FIG. 7 is a bottom plan view of the design of FIG. 1.

The broken lines shown in the drawings illustrate features of the article to which the design is applied that form no part of the claim.

1 Claim, 6 Drawing Sheets



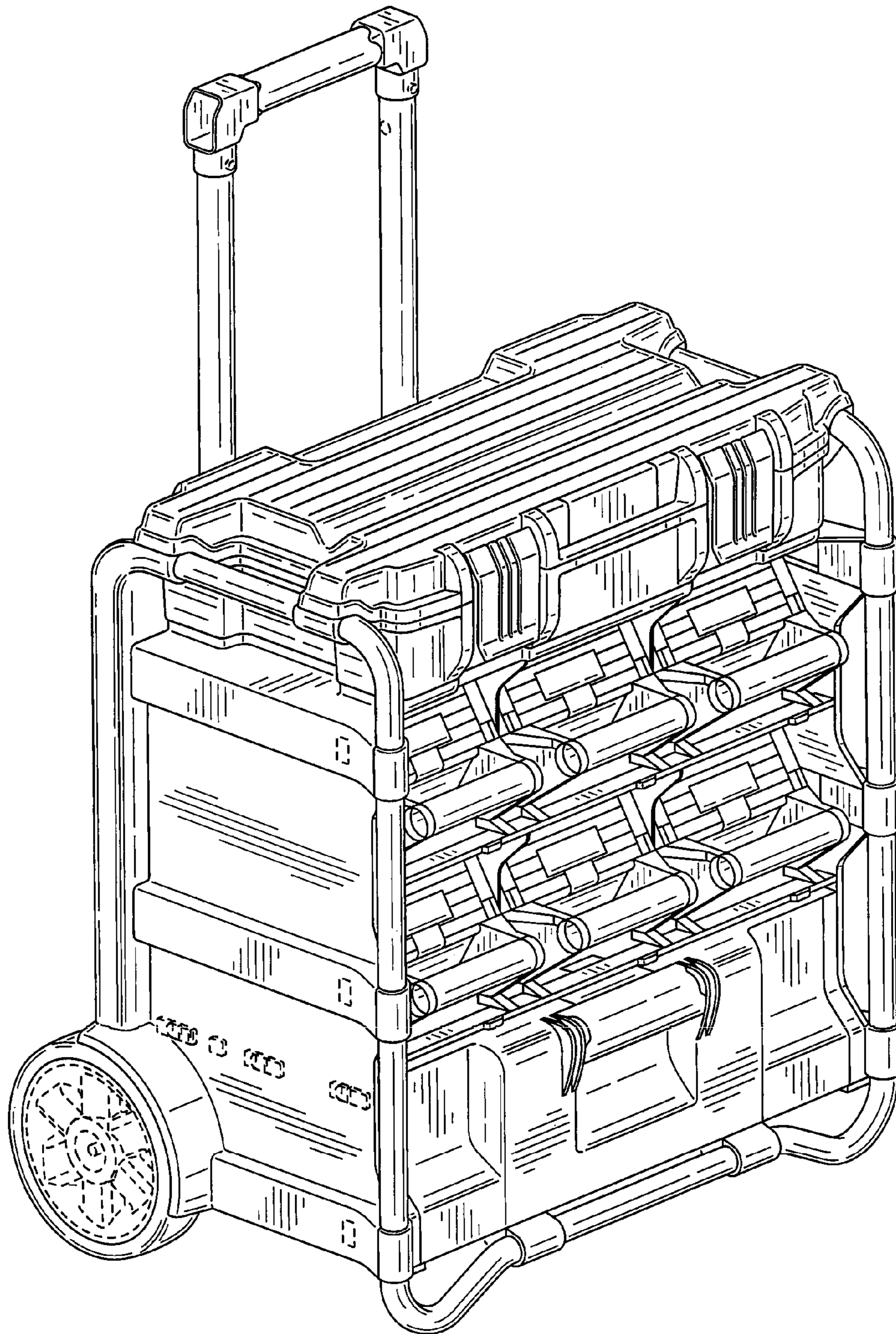


FIG. 1

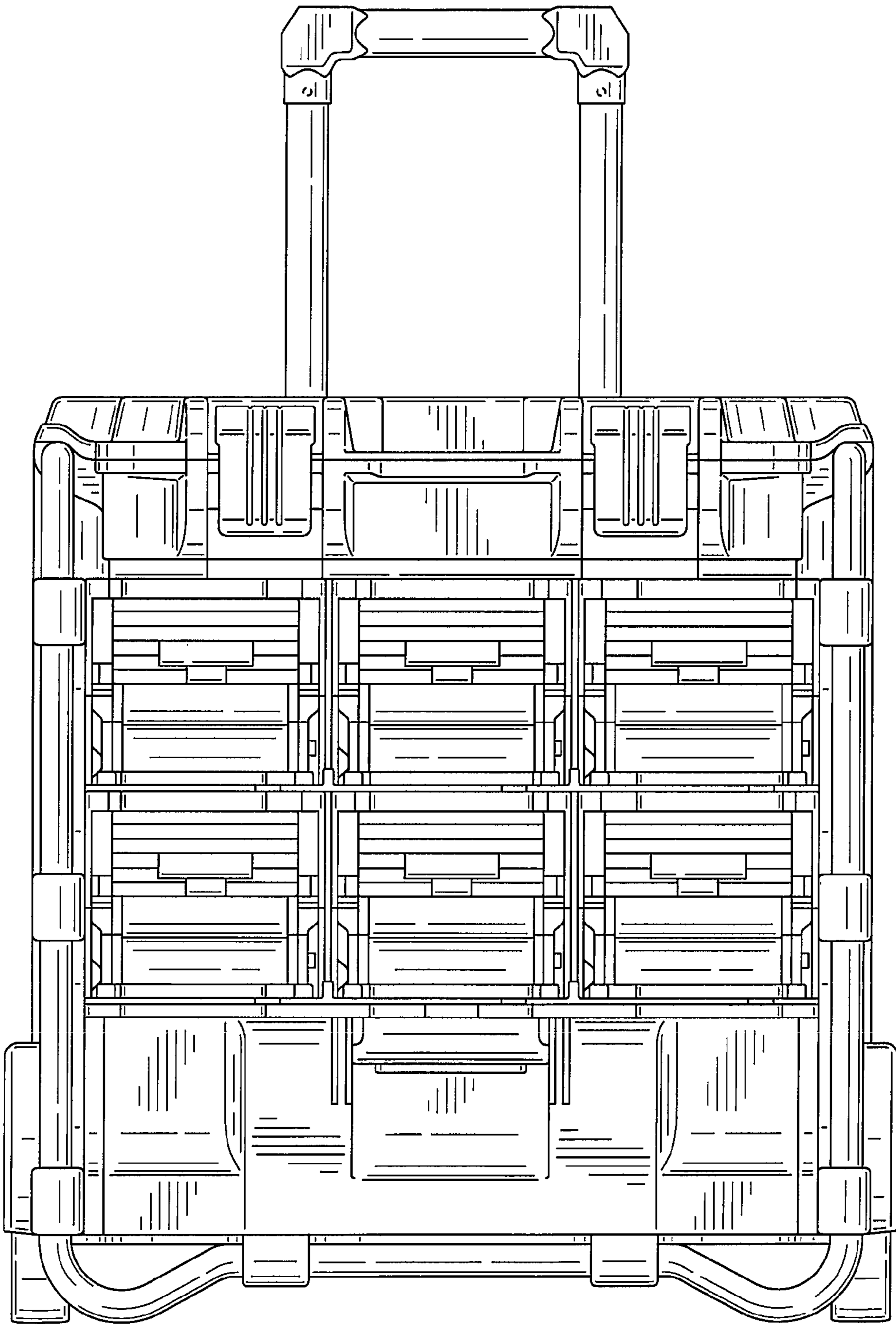


FIG. 2

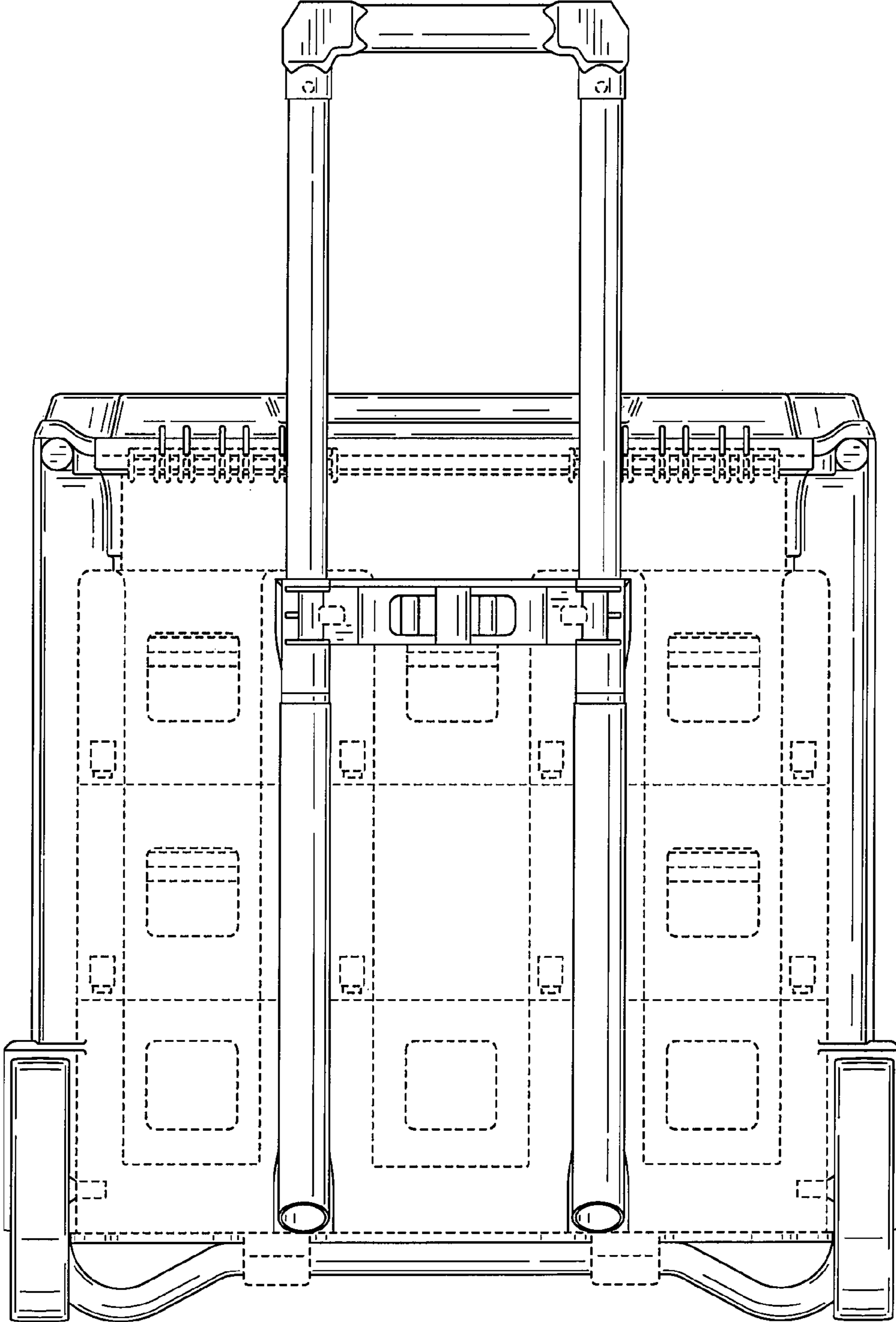


FIG. 3

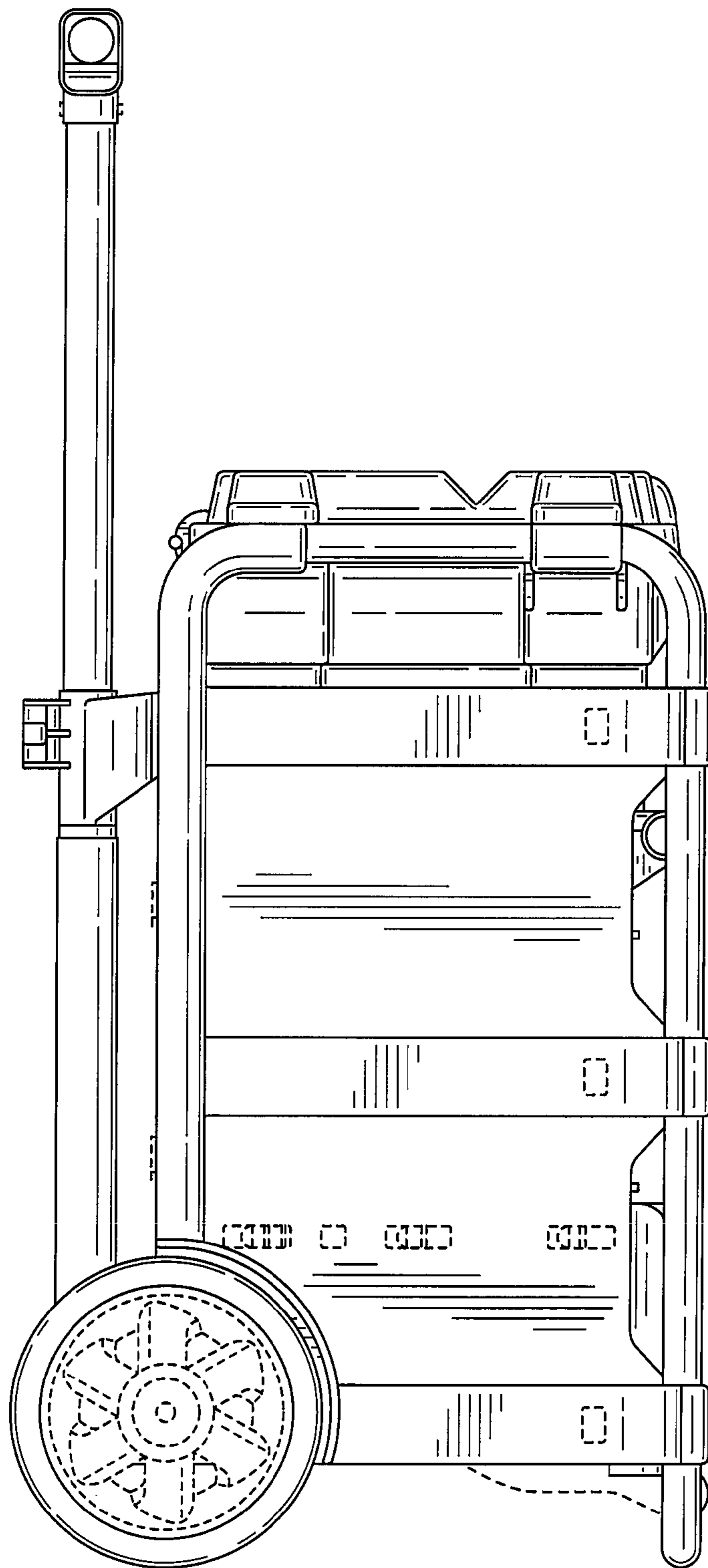


FIG. 4

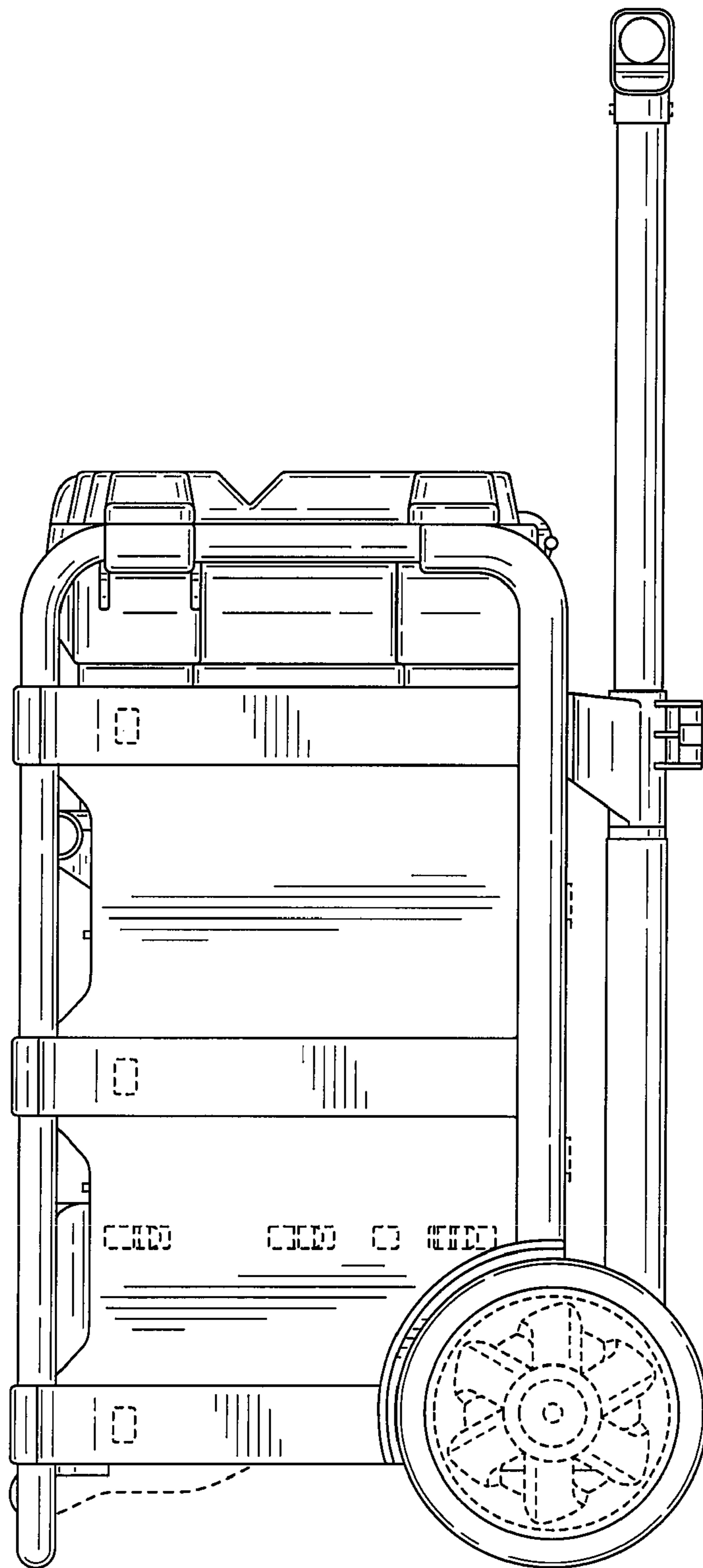


FIG. 5

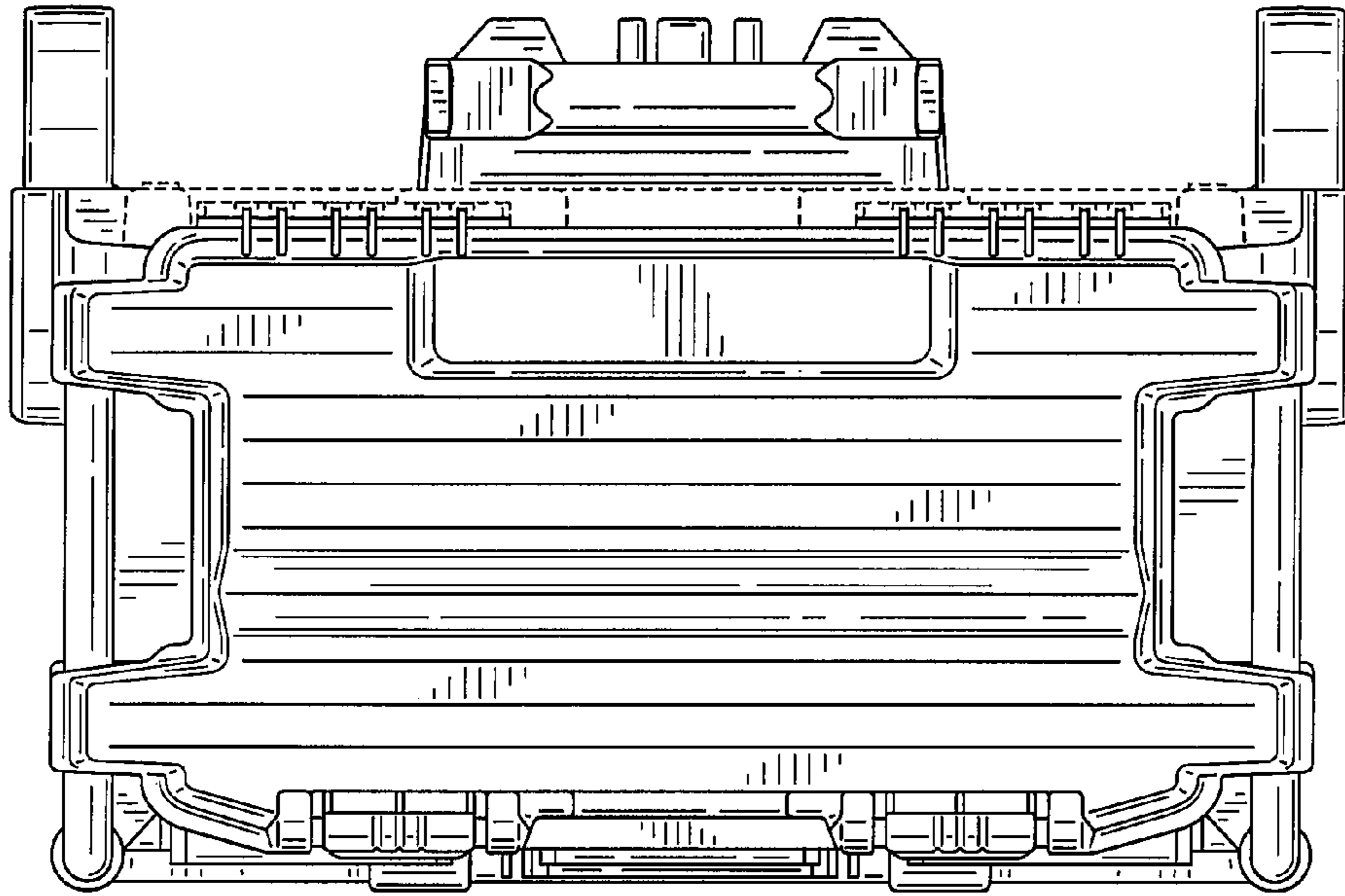


FIG. 6

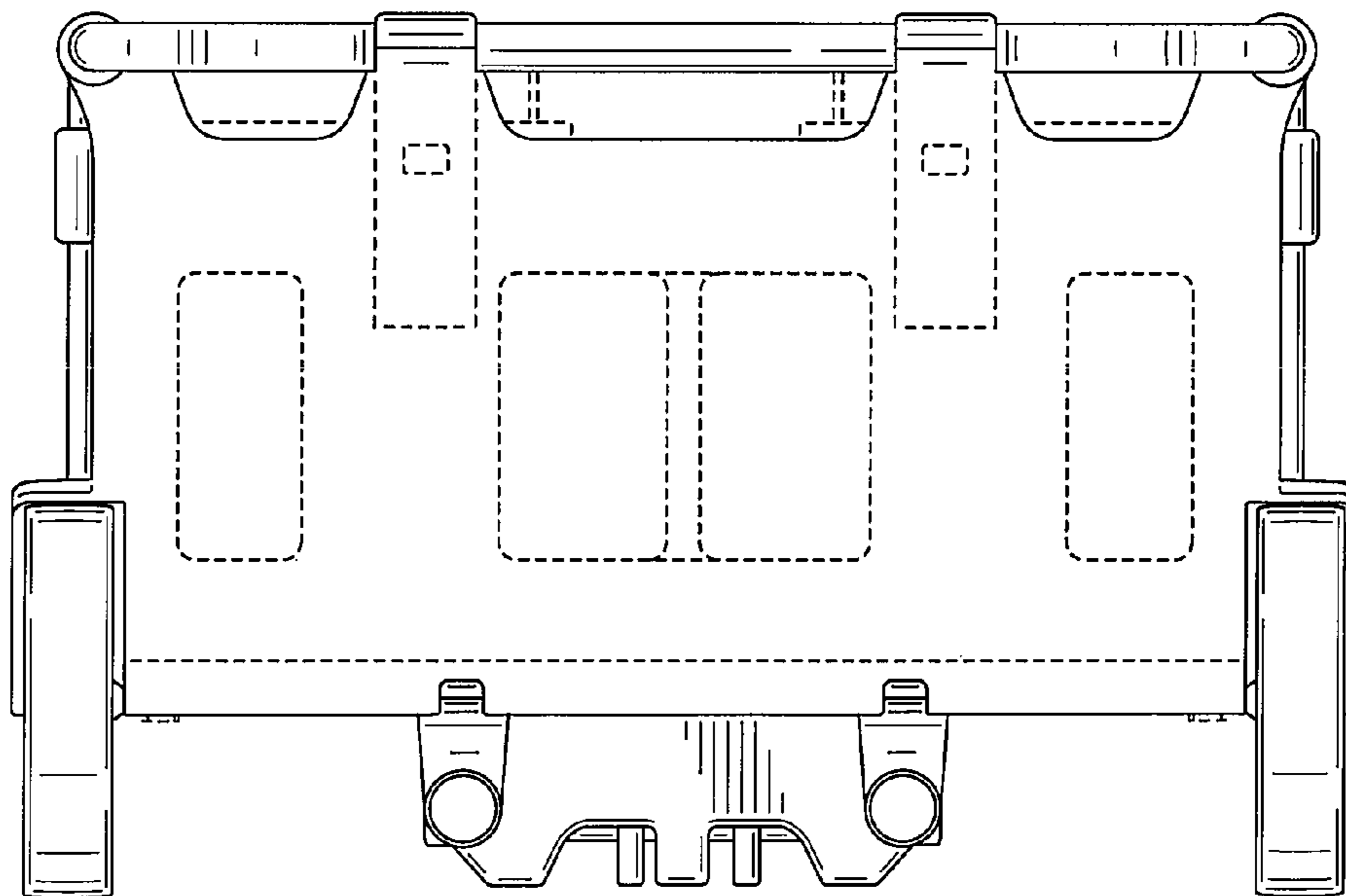


FIG. 7