



US00D640868S

(12) **United States Design Patent**
Jongchul

(10) **Patent No.:** **US D640,868 S**
(45) **Date of Patent:** **** Jul. 5, 2011**

(54) **CARRY-ON BAG WITH EASY ACCESS
OPENING TO INTERIOR**

(76) Inventor: **Hong Jongchul**, Doraville, GA (US)

(*) Notice: This patent is subject to a terminal disclaimer.

(**) Term: **14 Years**

(21) Appl. No.: **29/313,830**

(22) Filed: **Feb. 13, 2009**

Related U.S. Application Data

(63) Continuation-in-part of application No. 29/307,590, filed on Apr. 29, 2008, now Pat. No. Des. 597,309.

(51) **LOC (9) Cl.** **03-01**

(52) **U.S. Cl.** **D3/279; D3/283; D3/902**

(58) **Field of Classification Search** D3/273,
D3/318-319, 321, 902, 217, 274, 276, 278-279,
D3/283-290; 190/18 A, 100, 103-104, 107,
190/109, 111-113, 115-116, 119

See application file for complete search history.

(56) **References Cited**

U.S. PATENT DOCUMENTS

D352,395 S * 11/1994 King D3/279

(Continued)

Primary Examiner — Philip S Hyder

Assistant Examiner — Roselyne Cody

(57) **CLAIM**

I claim the ornamental design for a carry-on bag with easy access opening to the interior, as shown and described.

DESCRIPTION

FIG. 1 is a front, right side perspective view of the carry-on bag with easy access opening to the interior according to the present invention, in a closed condition;

FIG. 2 is a front, right side perspective view thereof with its top pocket open and the access panel closed;

FIG. 3 is a front, right side perspective view thereof with the top pocket flipped down and the access panel open;

FIG. 4 is a top view thereof with the top pocket and the access panel as shown in FIG. 3;

FIG. 5 is a front view thereof with the top pocket and the access panel closed;

FIG. 6 is a front view thereof with the top pocket and the access panel as shown in FIG. 3;

FIG. 7 is a right side view thereof with the top pocket and the access panel closed;

FIG. 8 is right side view thereof with the top pocket and the access panel as shown in FIG. 3;

FIG. 9 is a left side view thereof with the top pocket and the access panel closed;

FIG. 10 is a left side view thereof with the top pocket open and the access panel closed;

FIG. 11 is a back view thereof;

FIG. 12 is a bottom view thereof as shown in FIG. 1; and

FIG. 13 is a back, right side perspective view thereof with its handle for rolling extended.

FIG. 14 is a front, right side perspective view of an alternate embodiment of the carry-on bag with easy access opening to the interior according to the present invention, in a closed condition;

FIG. 15 is a front, right side perspective view thereof with its top pocket open and the interior access panel partially open;

FIG. 16 is a top view thereof with the top pocket open;

FIG. 17 is a front view thereof with the top pocket closed;

FIG. 18 is a front view thereof with the top pocket and the access panel as shown in FIG. 15;

FIG. 19 is a right side view thereof with the top pocket closed;

FIG. 20 is a right side view thereof with the top pocket and the access panel as shown in FIG. 15;

FIG. 21 is a left side view thereof with the top pocket closed;

FIG. 22 is a left side view thereof with the top pocket and the access panel as shown in FIG. 15;

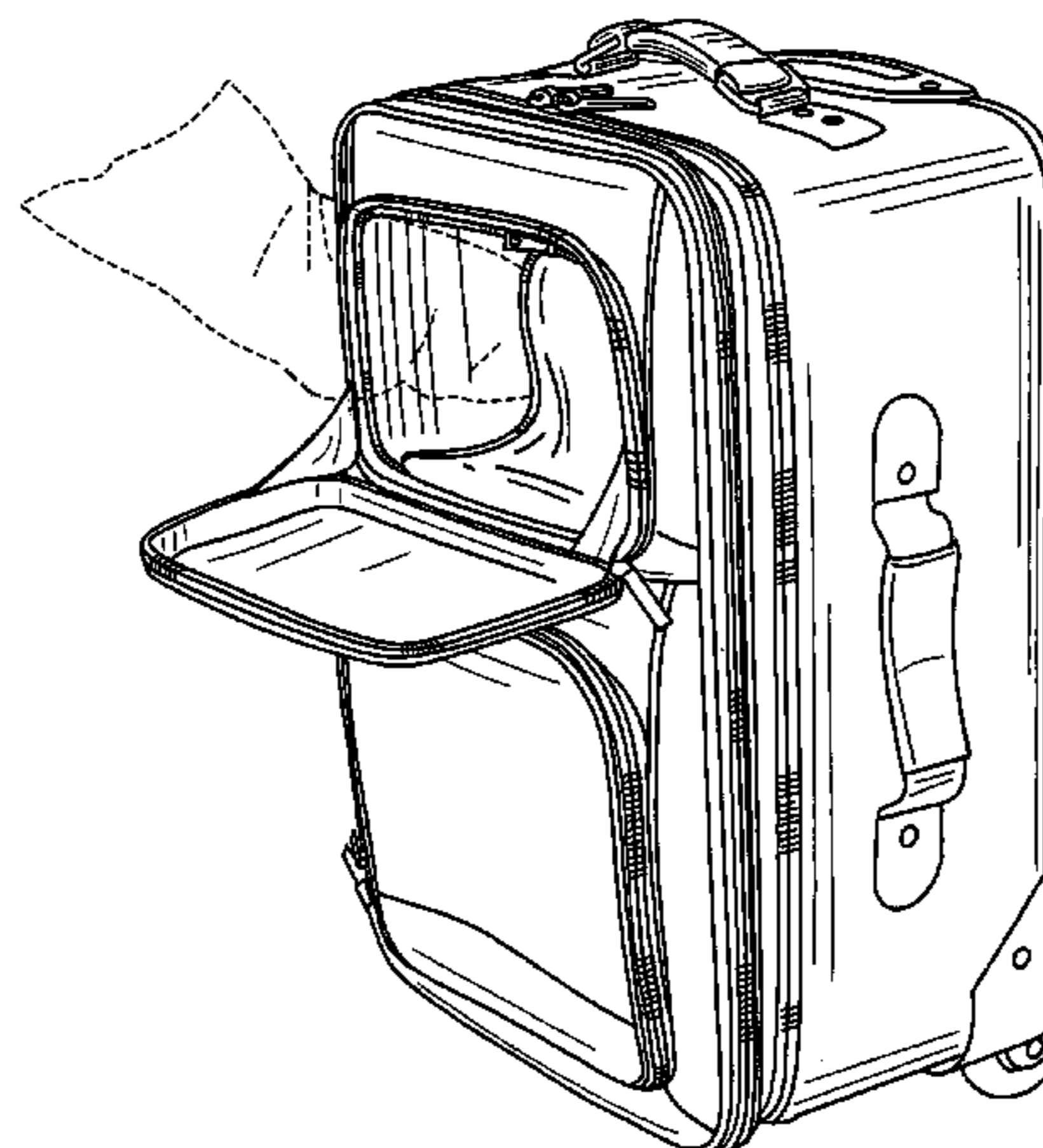
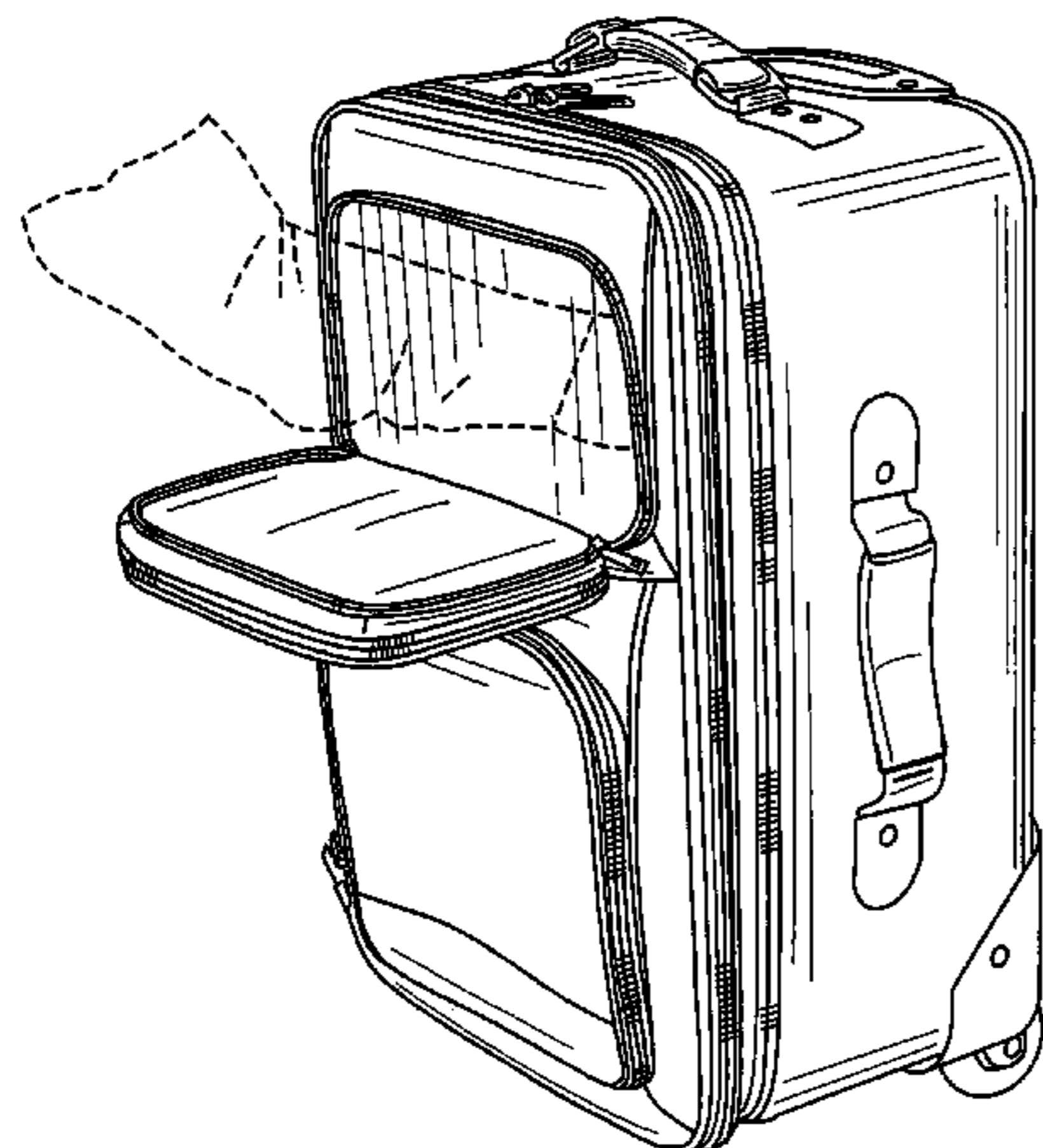
FIG. 23 is a back view thereof;

FIG. 24 is a bottom view thereof; and,

FIG. 25 is a back, right side perspective view thereof with its handle for rolling extended.

In FIGS. 3 and 15, a baggage inspector's arm, reaching into the bag's interior, is shown in dashed lines for illustrative purposes only, forming no part of the claimed design.

1 Claim, 12 Drawing Sheets



US D640,868 S

Page 2

U.S. PATENT DOCUMENTS

D381,511	S *	7/1997	Krulik	D3/279	D514,317	S *	2/2006	Conforti	D3/285
5,676,223	A *	10/1997	Cunningham	190/109	D516,870	S *	3/2006	Martinez et al.	D7/607
D416,680	S *	11/1999	Latshaw	D3/286	D517,804	S *	3/2006	Davenport et al.	D3/279
D419,299	S *	1/2000	Bauer	D3/279	D518,293	S *	4/2006	Lam	D3/273
6,076,641	A *	6/2000	Kinzer et al.	190/18 A	D526,484	S *	8/2006	Flint	D3/283
D431,906	S *	10/2000	Livingston	D3/279	D534,353	S *	1/2007	Hsieh	D3/279
D460,618	S *	7/2002	Szyf	D3/279	D541,530	S *	5/2007	Sijmons	D3/279
D485,432	S *	1/2004	Desrochers	D3/216	D554,862	S *	11/2007	Hsieh	D3/279
D495,879	S *	9/2004	Bernbaum et al.	D3/279	D560,450	S *	1/2008	Tagliati et al.	D7/709
D507,111	S *	7/2005	Renz et al.	D3/319	D573,422	S *	7/2008	Tagliati et al.	D7/709
D507,876	S *	8/2005	Fadely	D3/279	D573,793	S *	7/2008	Bakker	D3/301
6,923,302	B2 *	8/2005	Godshaw et al.	190/109	D575,059	S *	8/2008	Cappiello et al.	D3/283
6,953,110	B2 *	10/2005	Santy et al.	190/125					

* cited by examiner

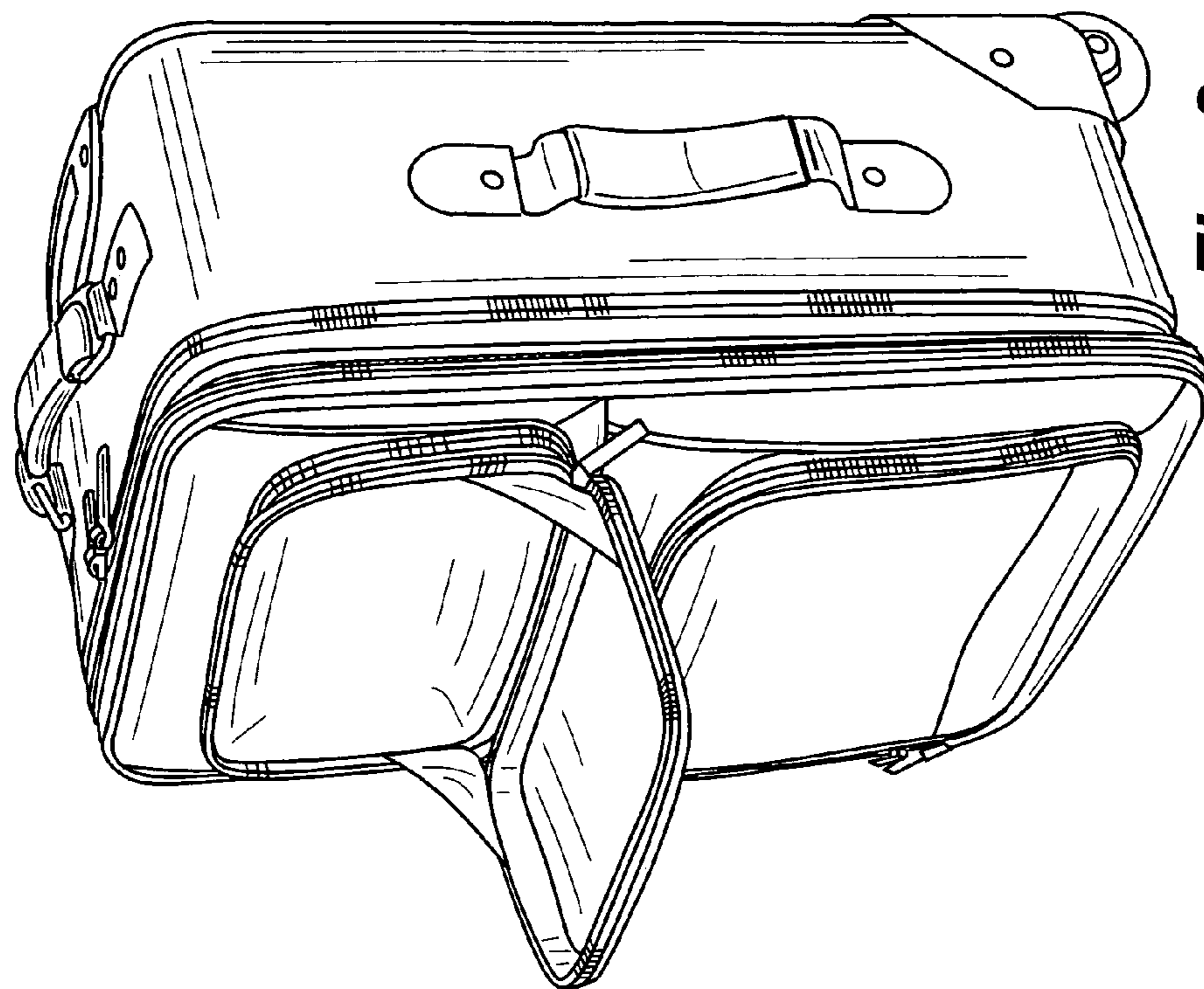


Fig. 2

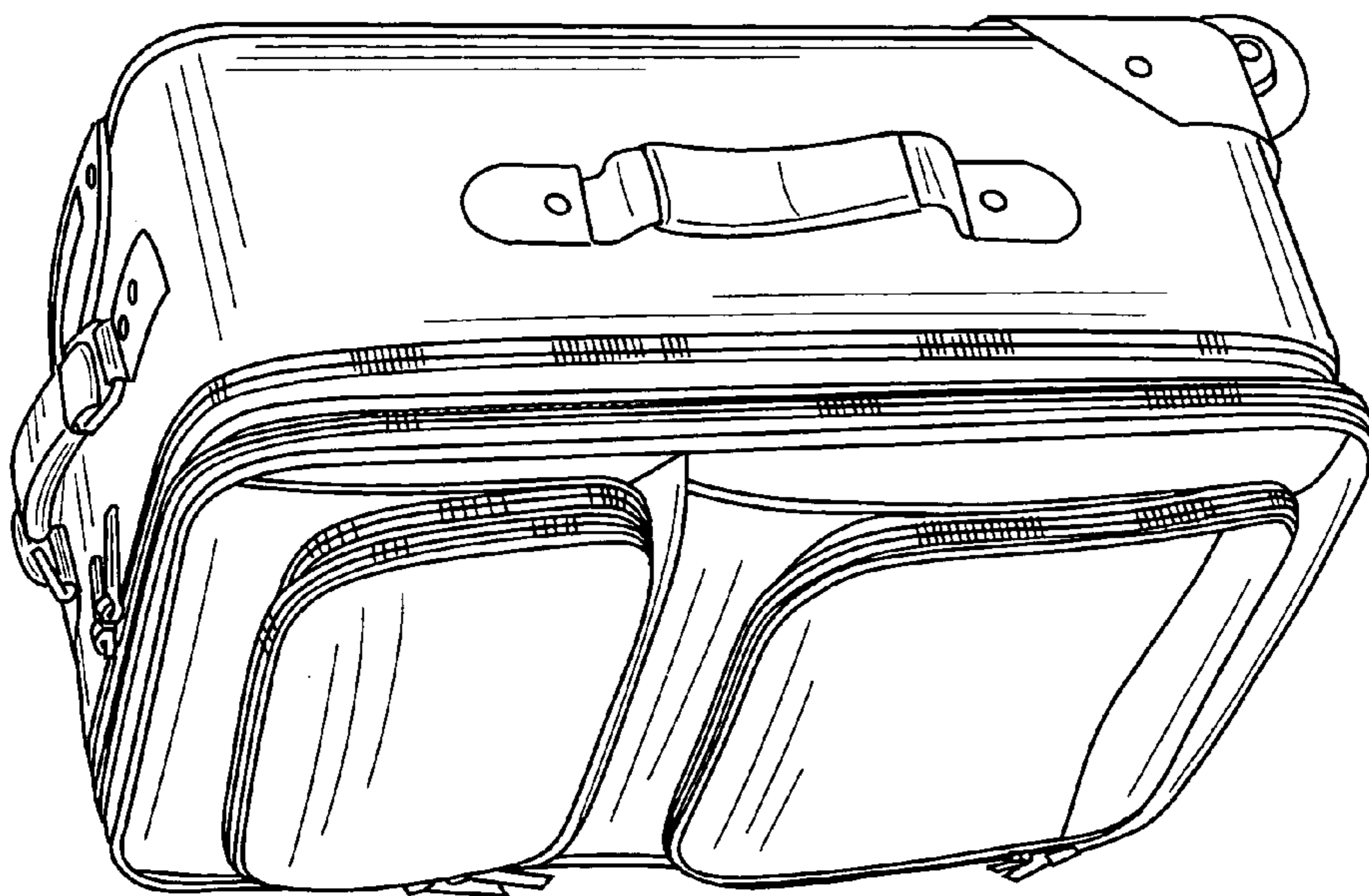


Fig. 1

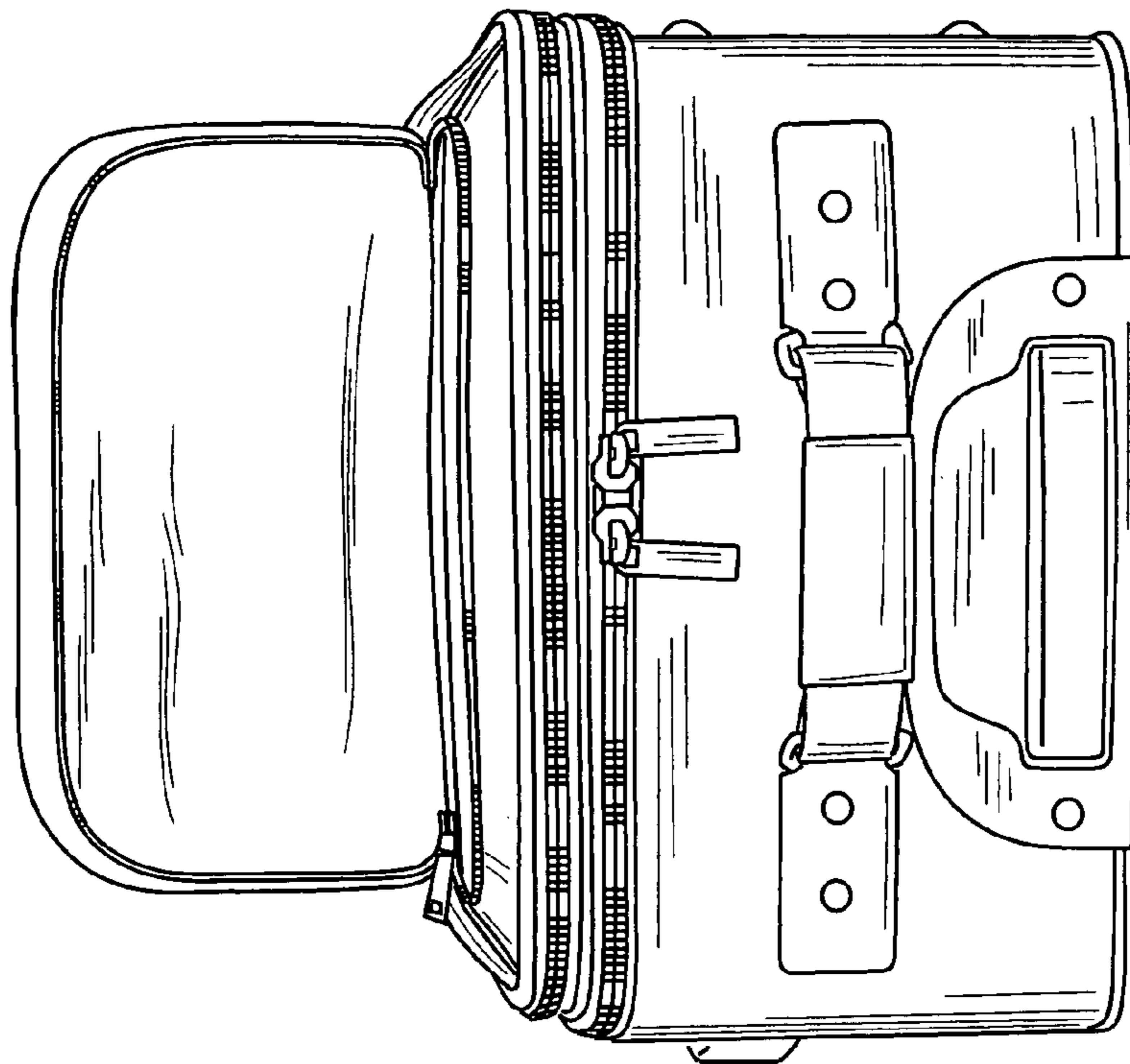


Fig. 4

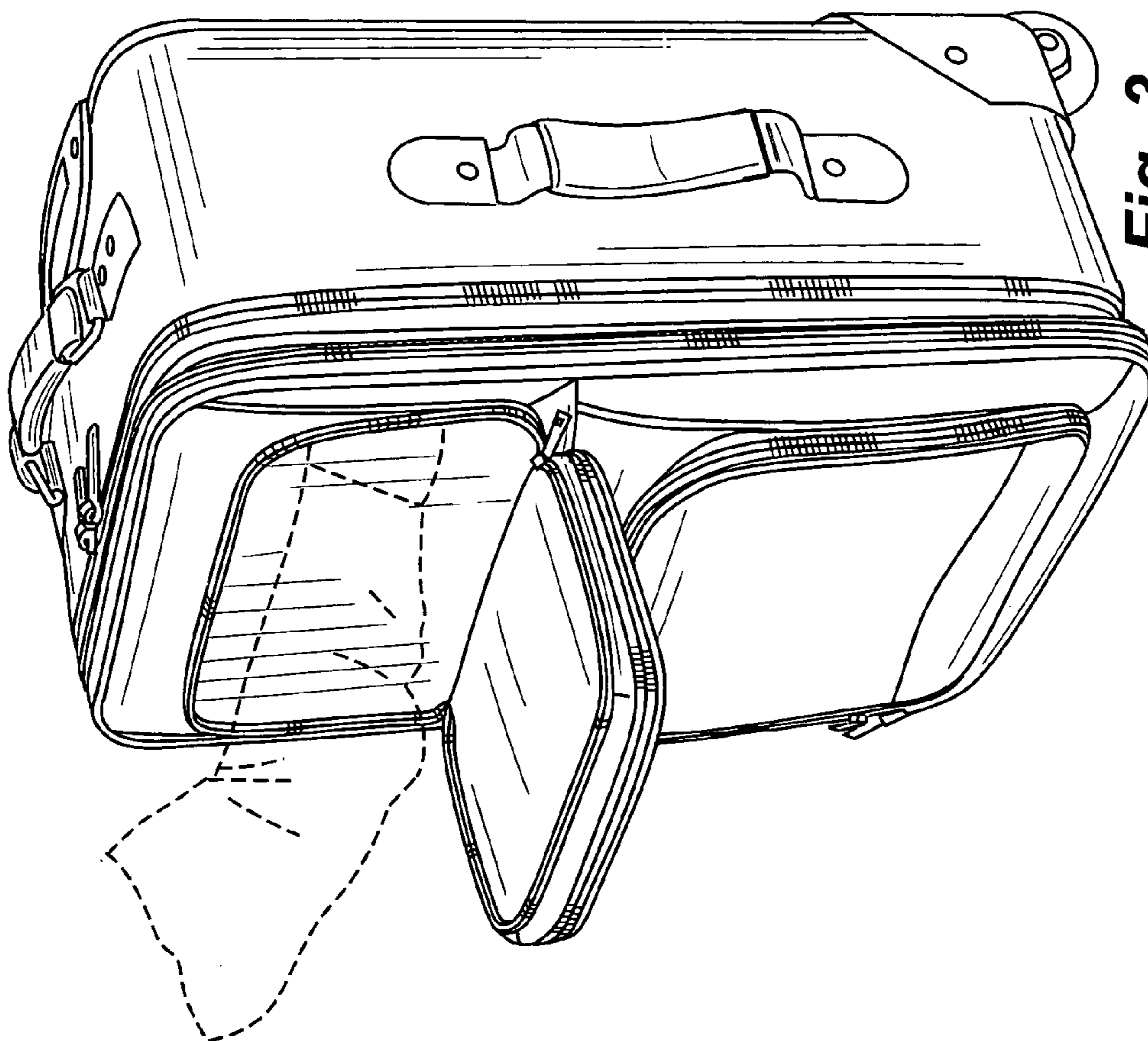


Fig. 3

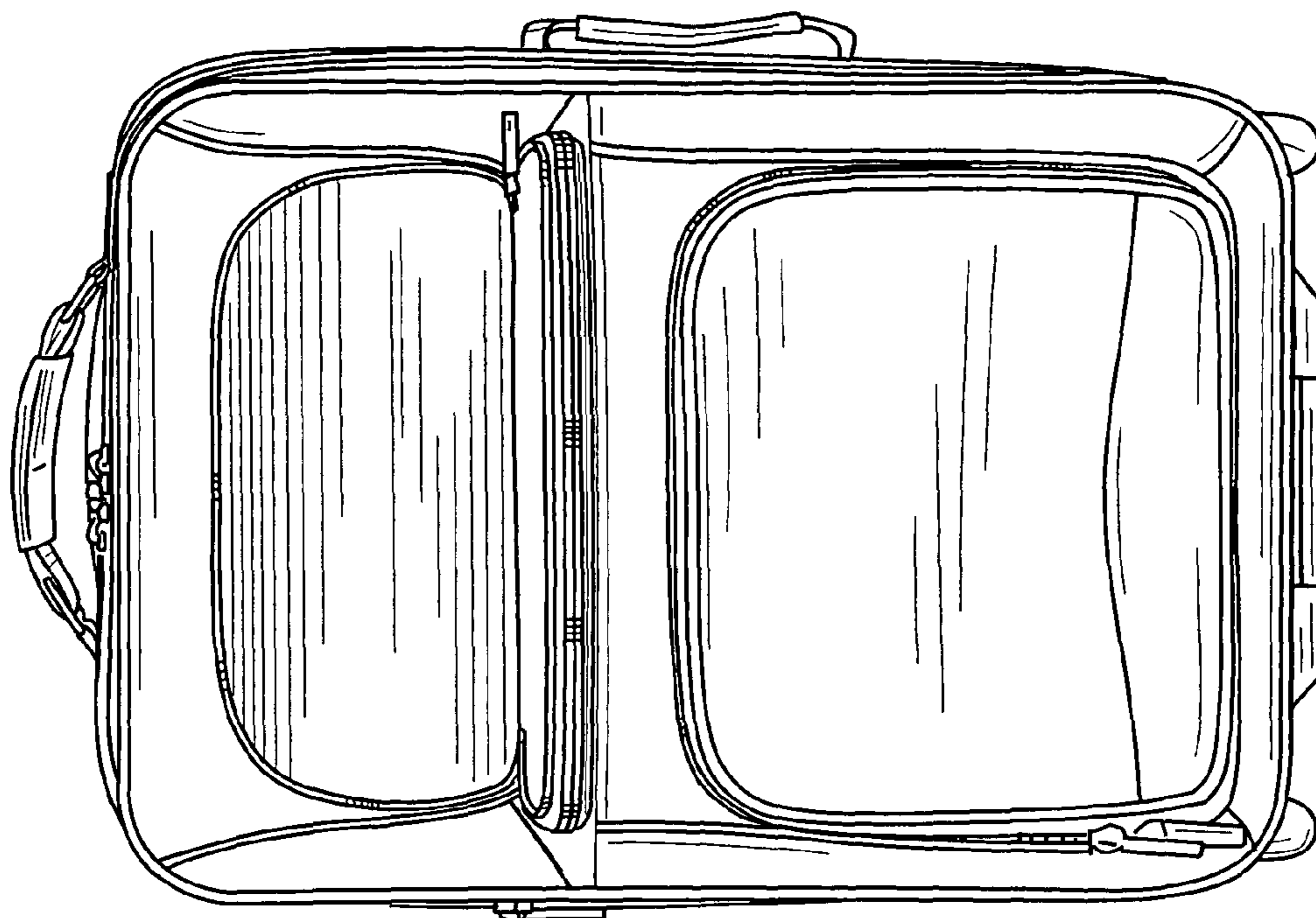


Fig. 6

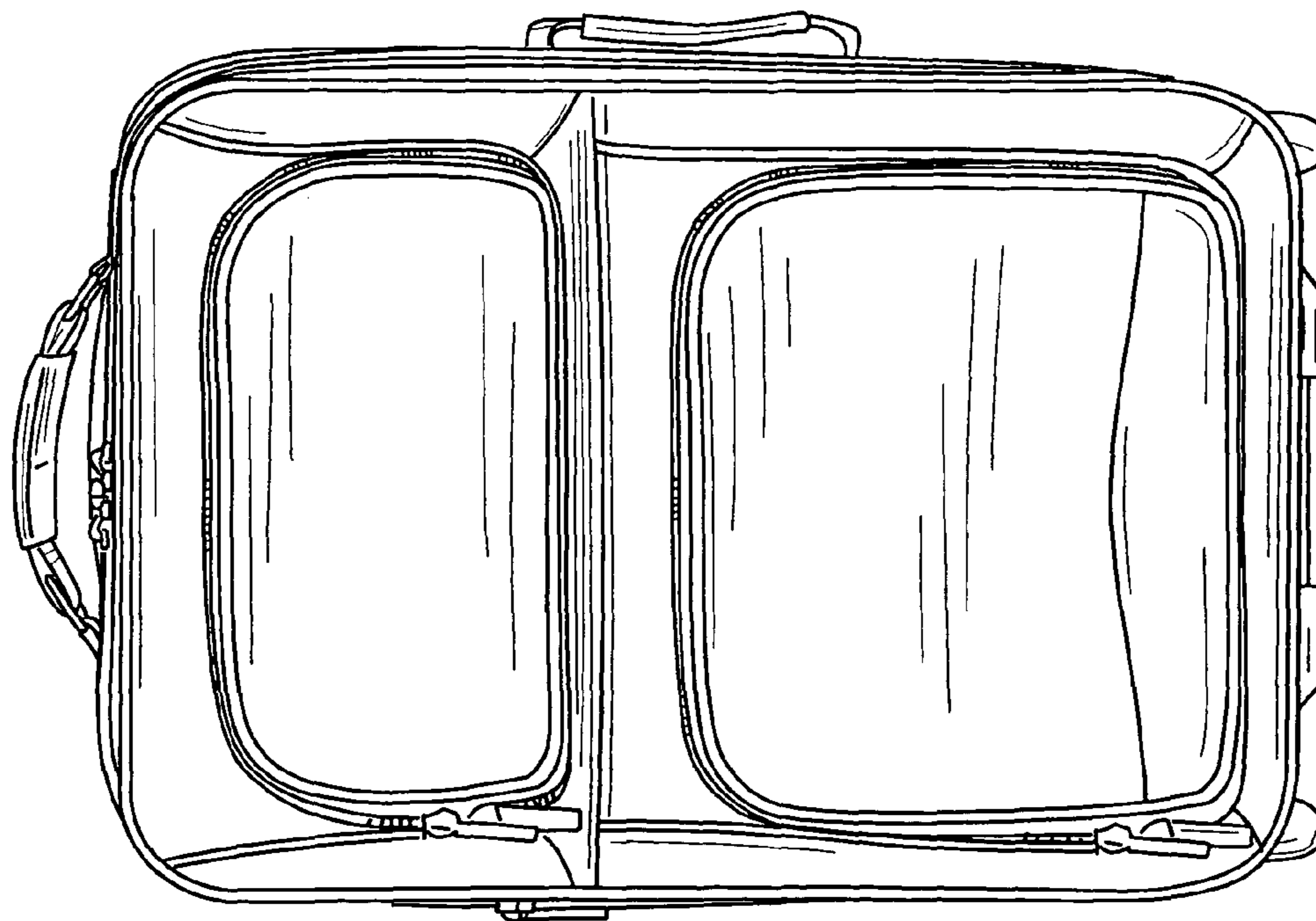


Fig. 5

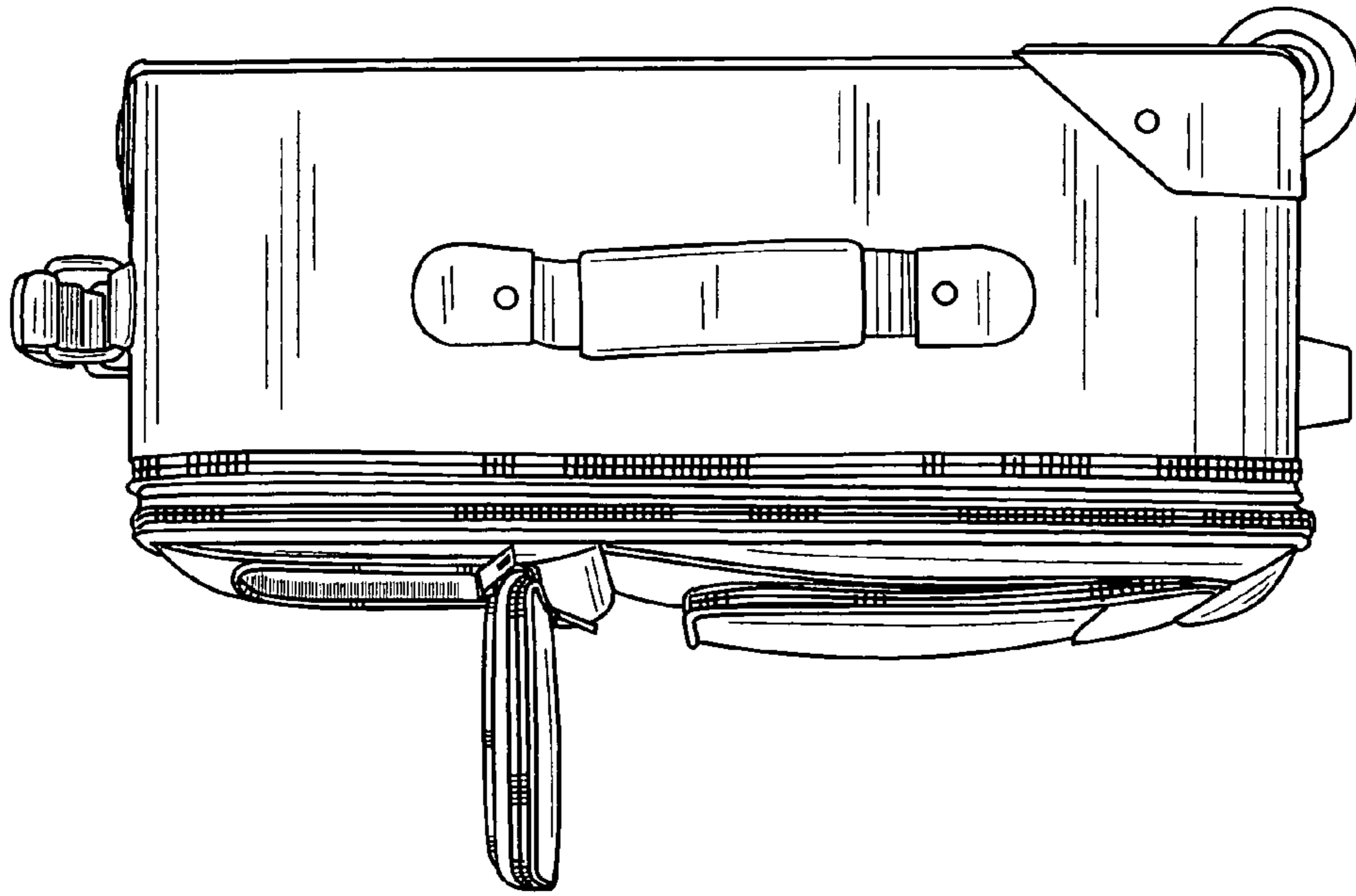


Fig. 8

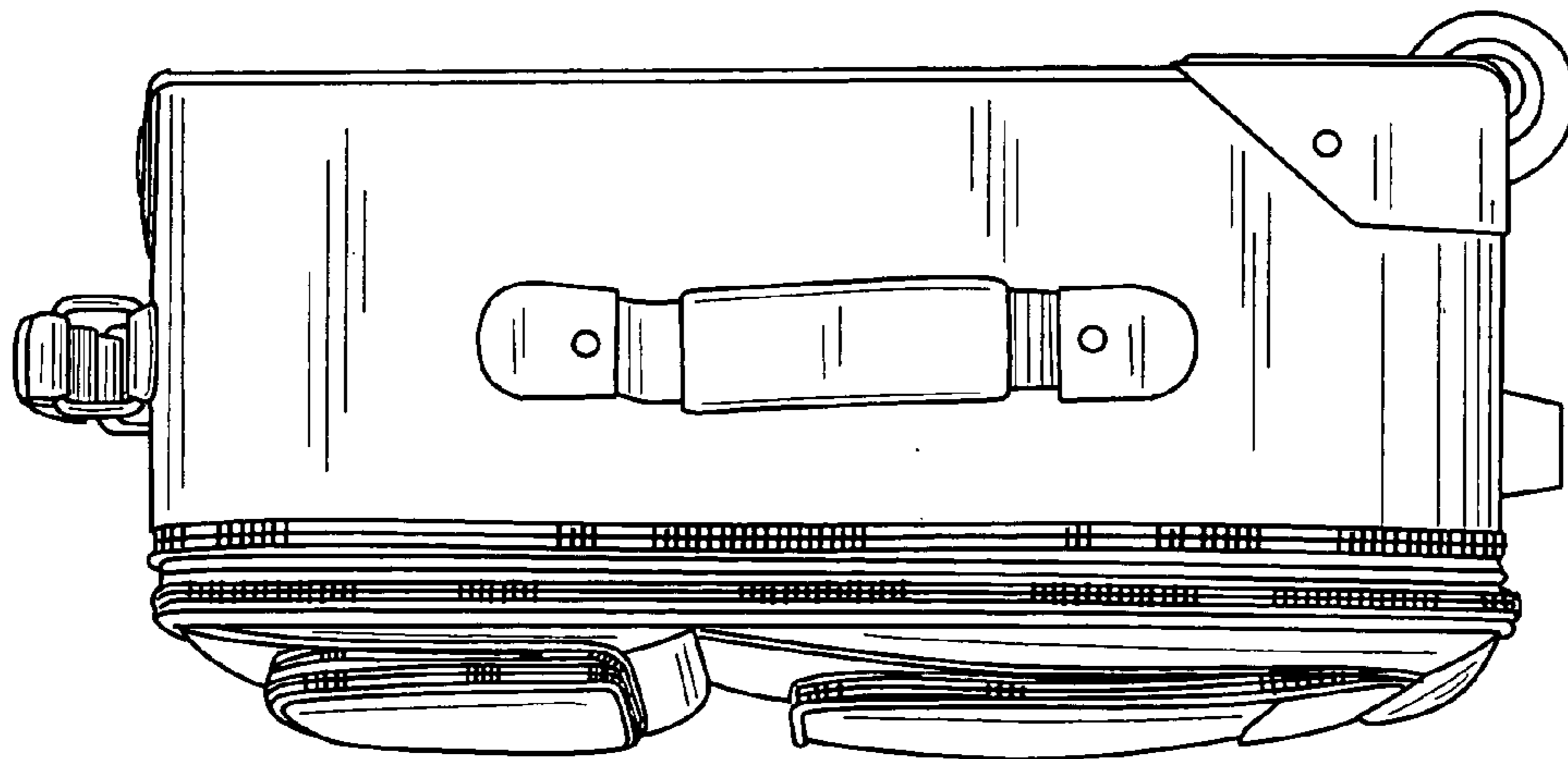


Fig. 7

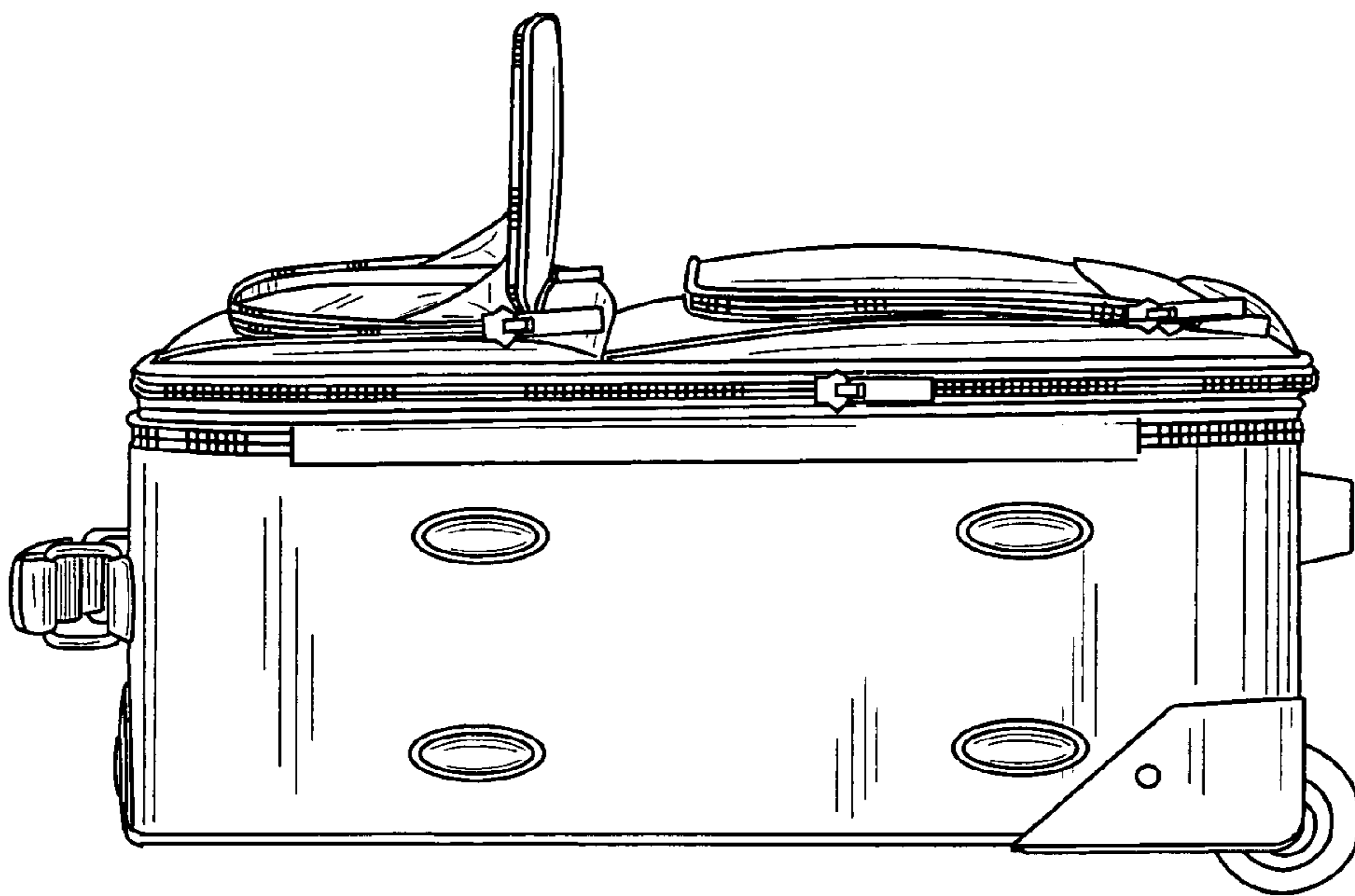


Fig. 10

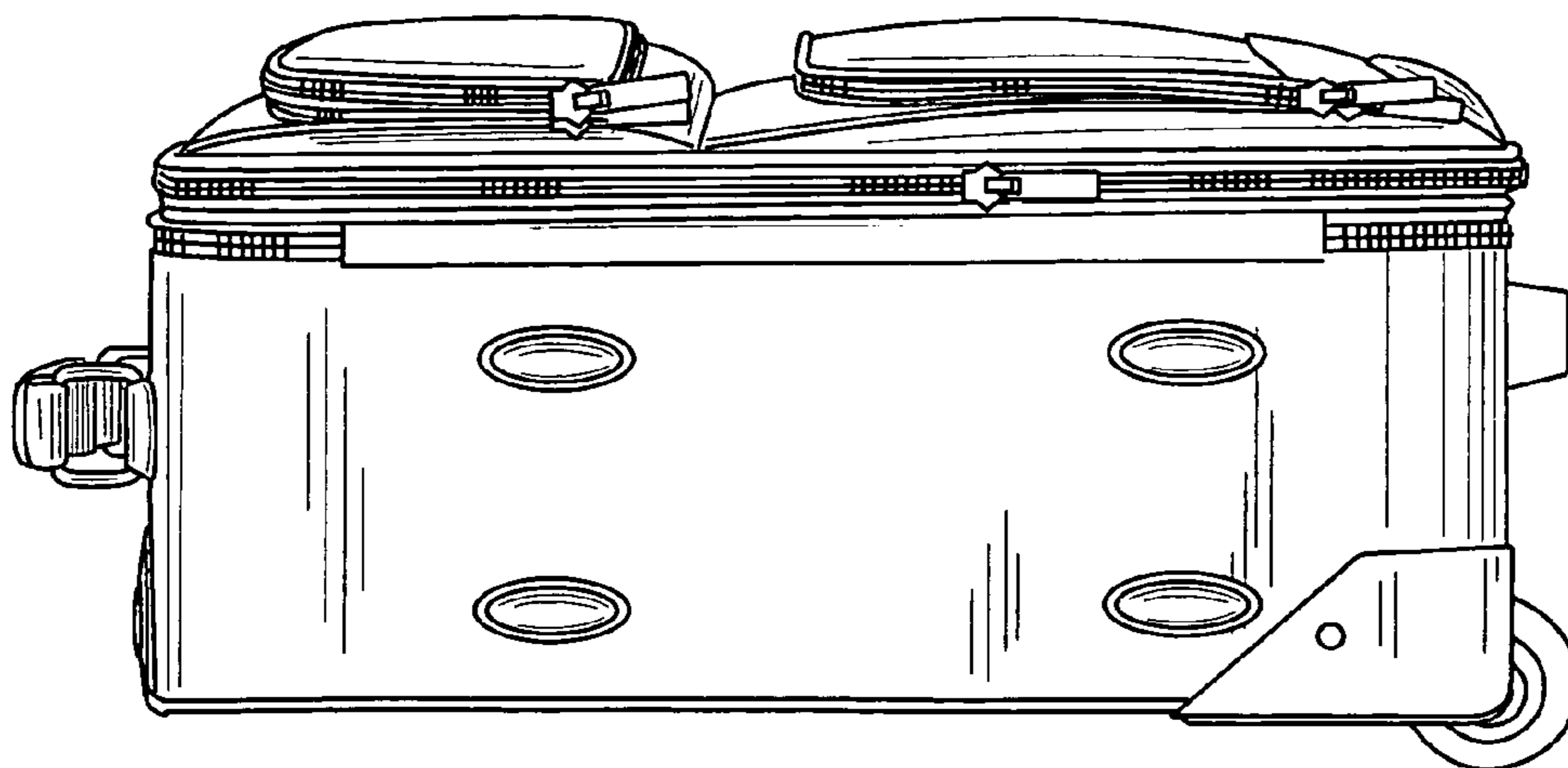


Fig. 9

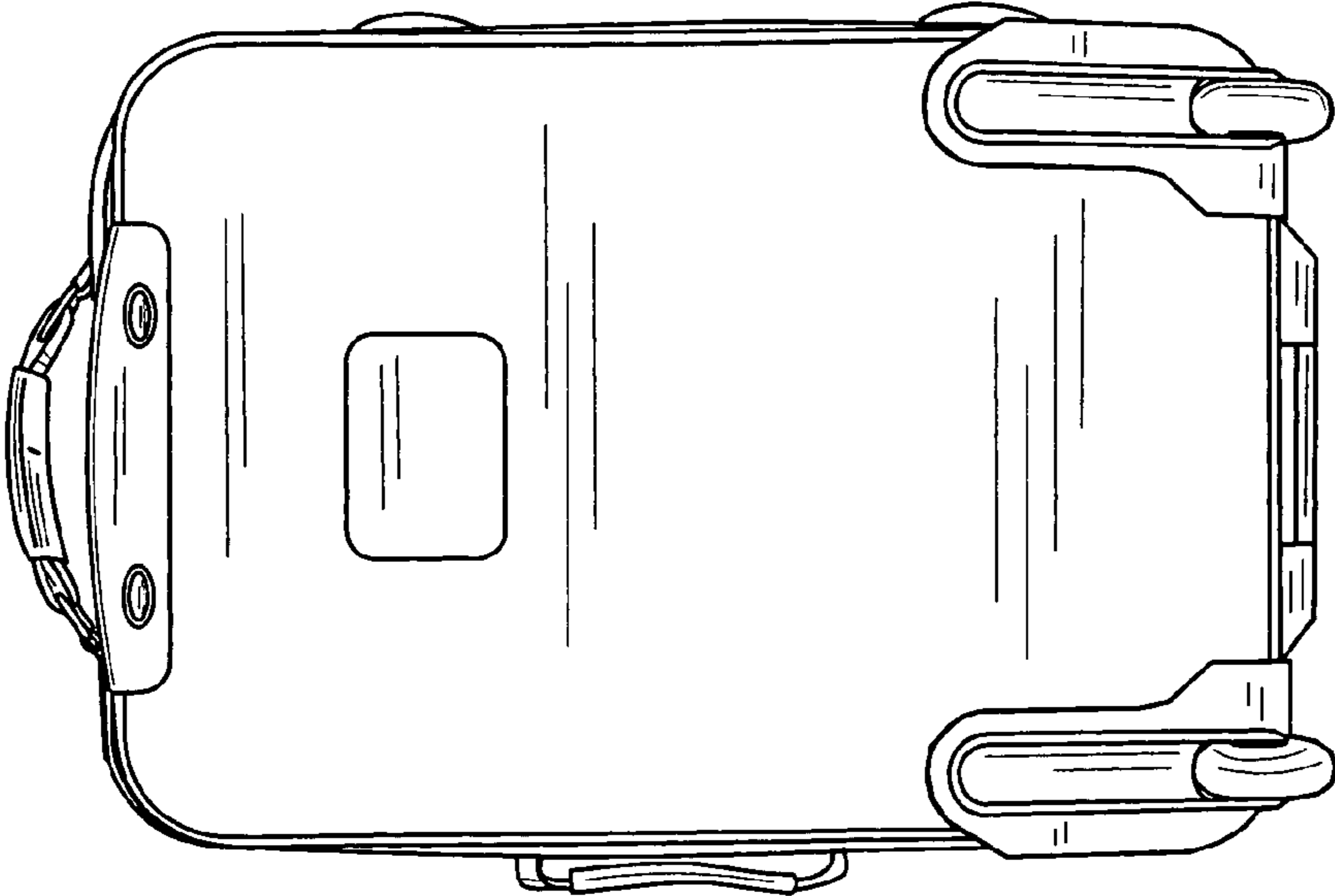


Fig. 11

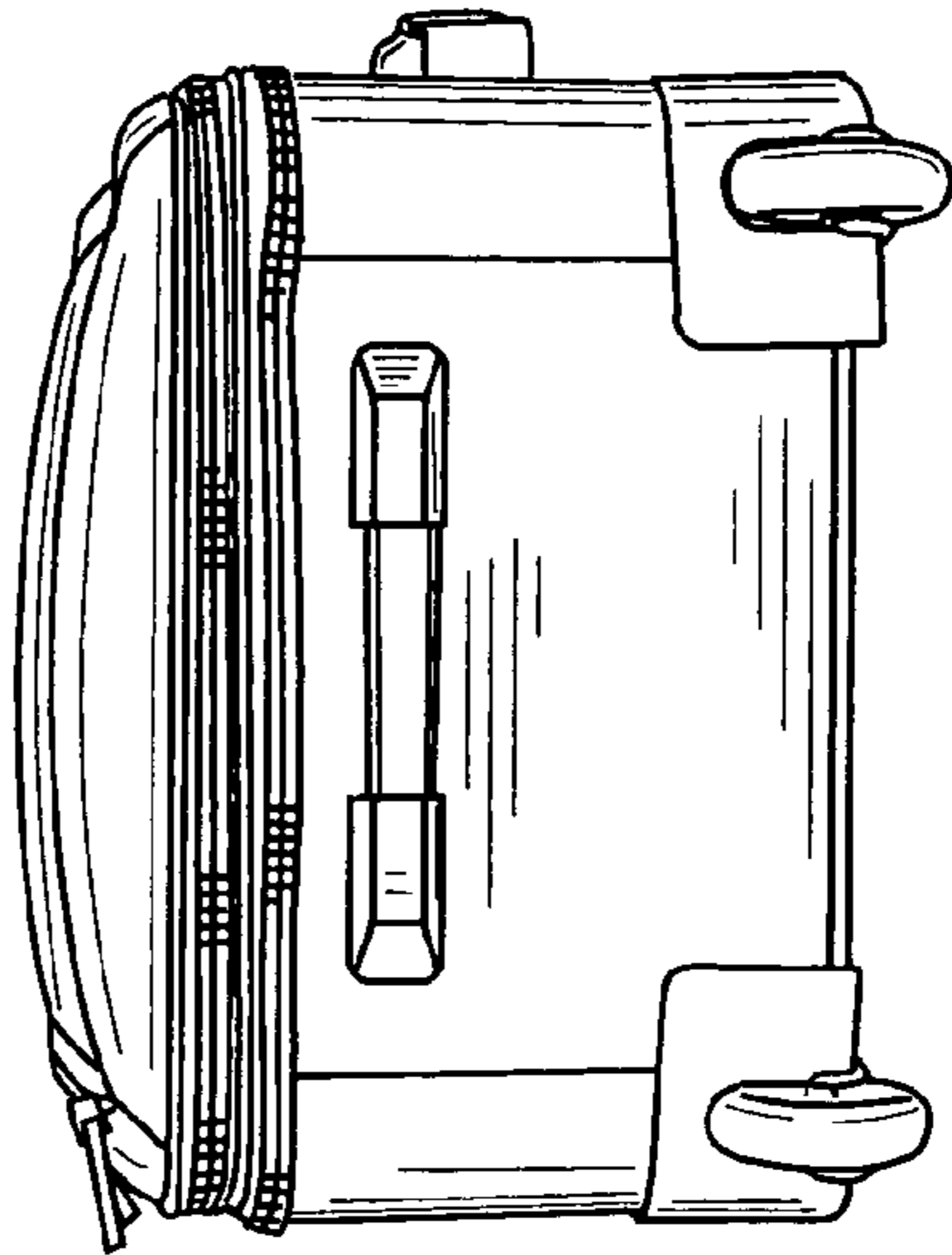


Fig. 12

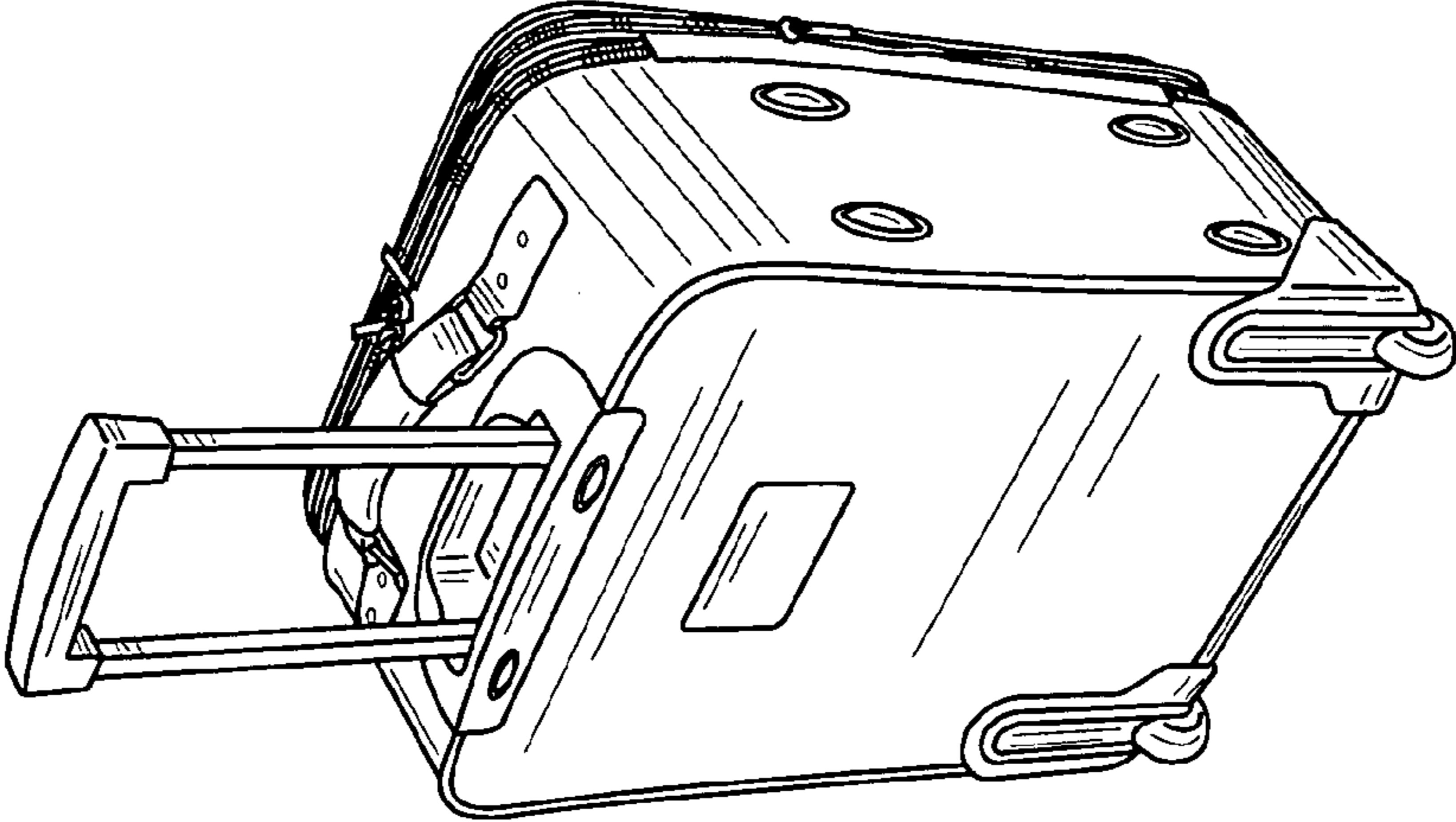


Fig. 13

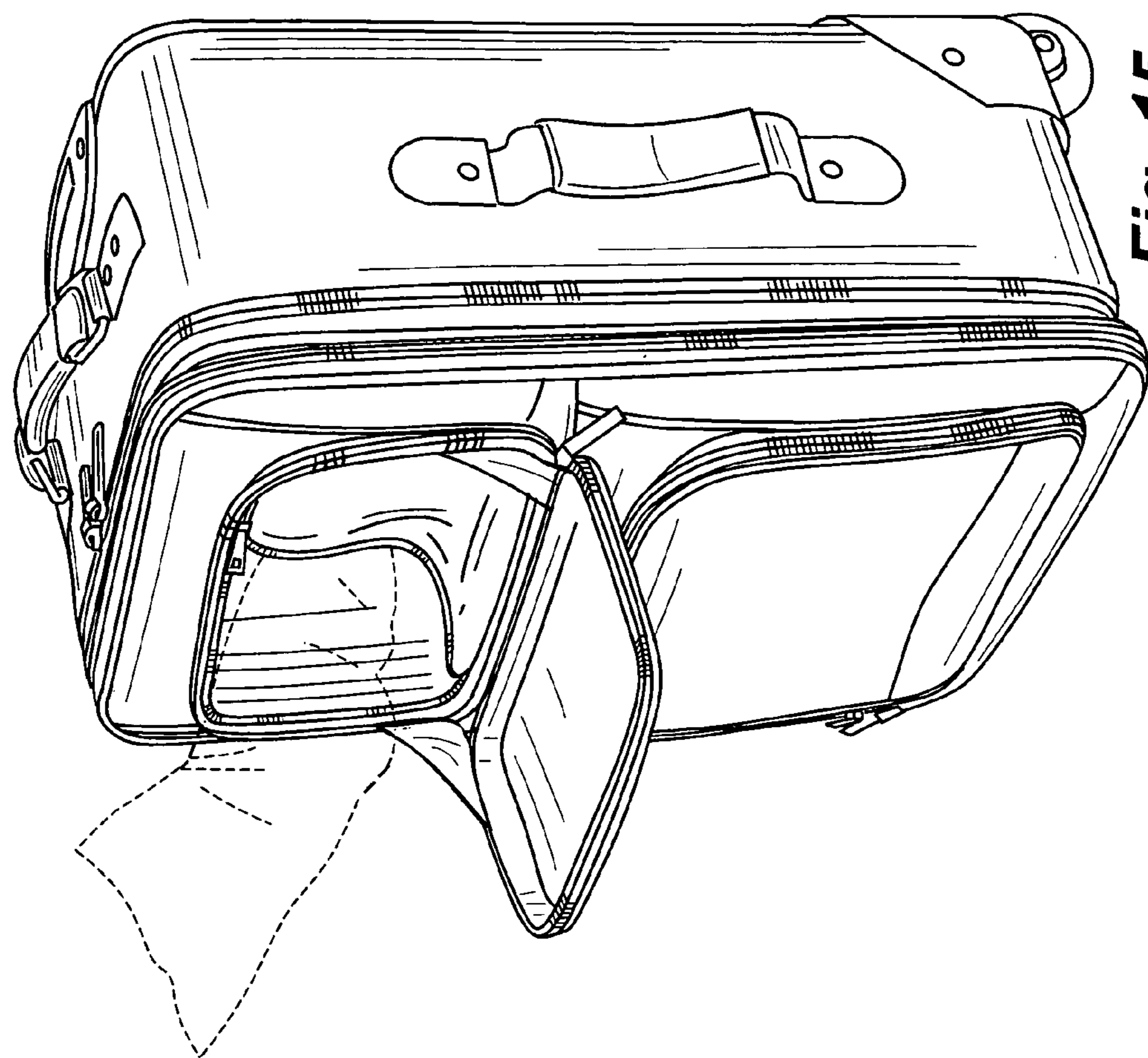


Fig. 15

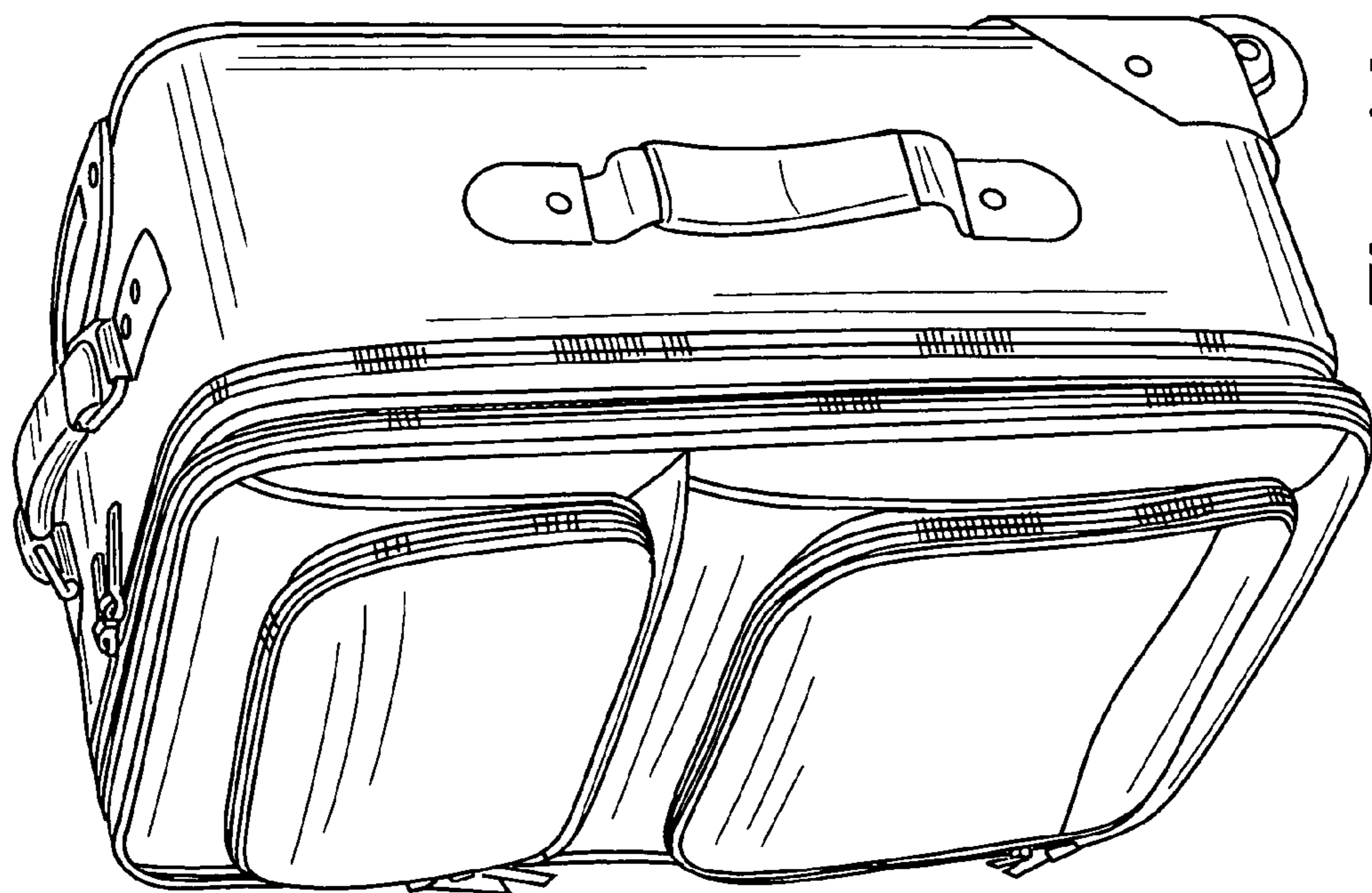


Fig. 14

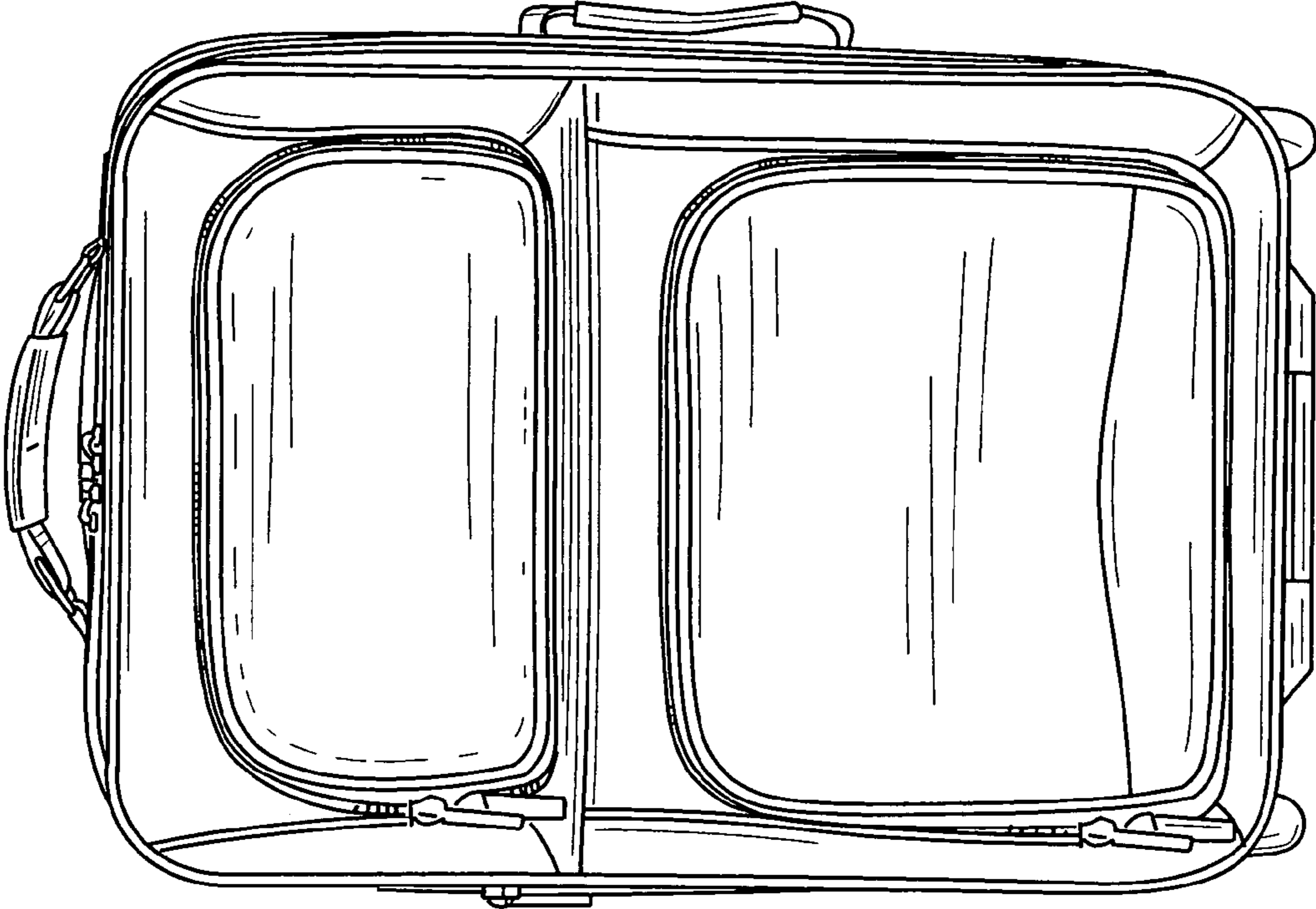


Fig. 17

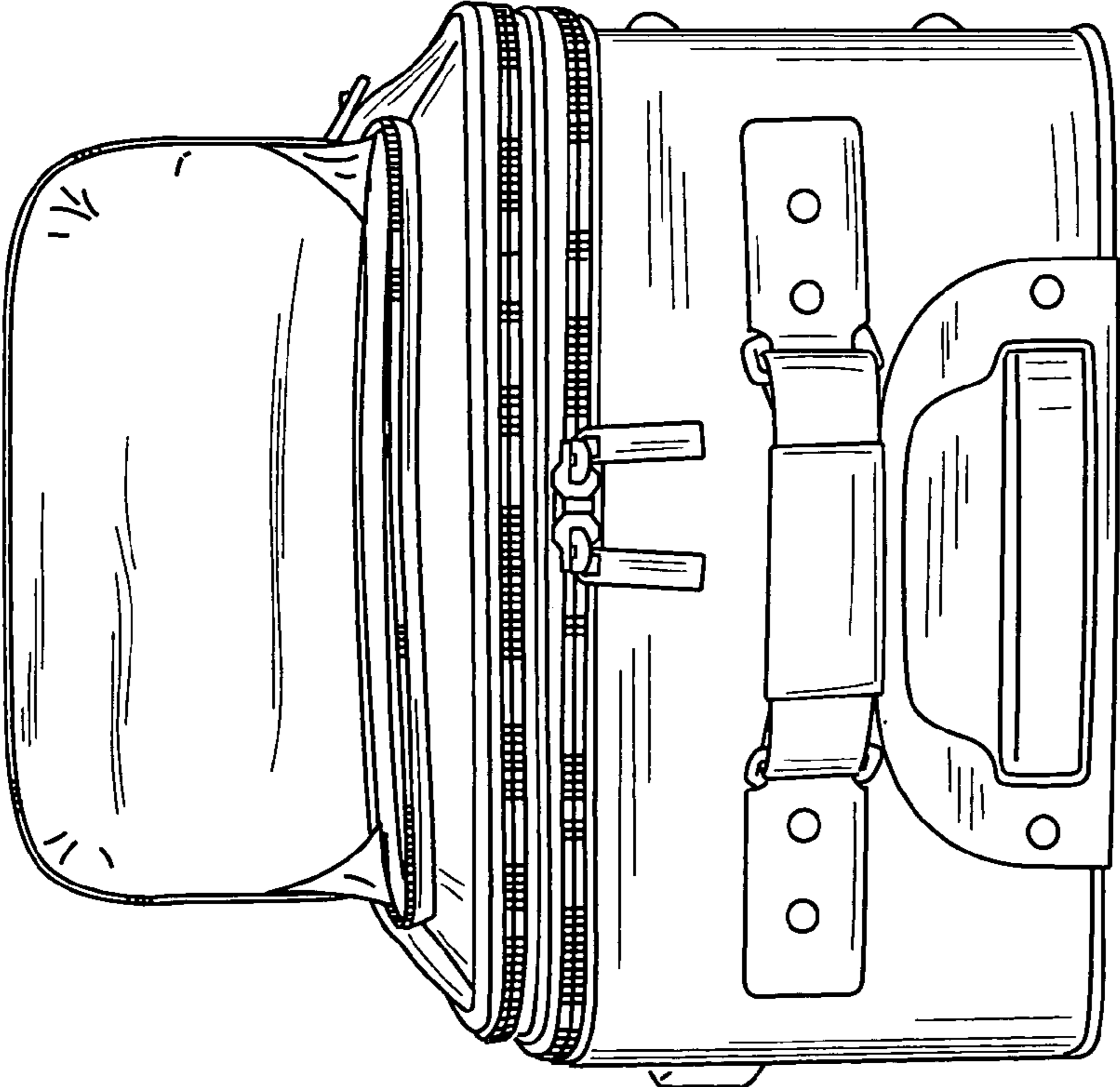


Fig. 16

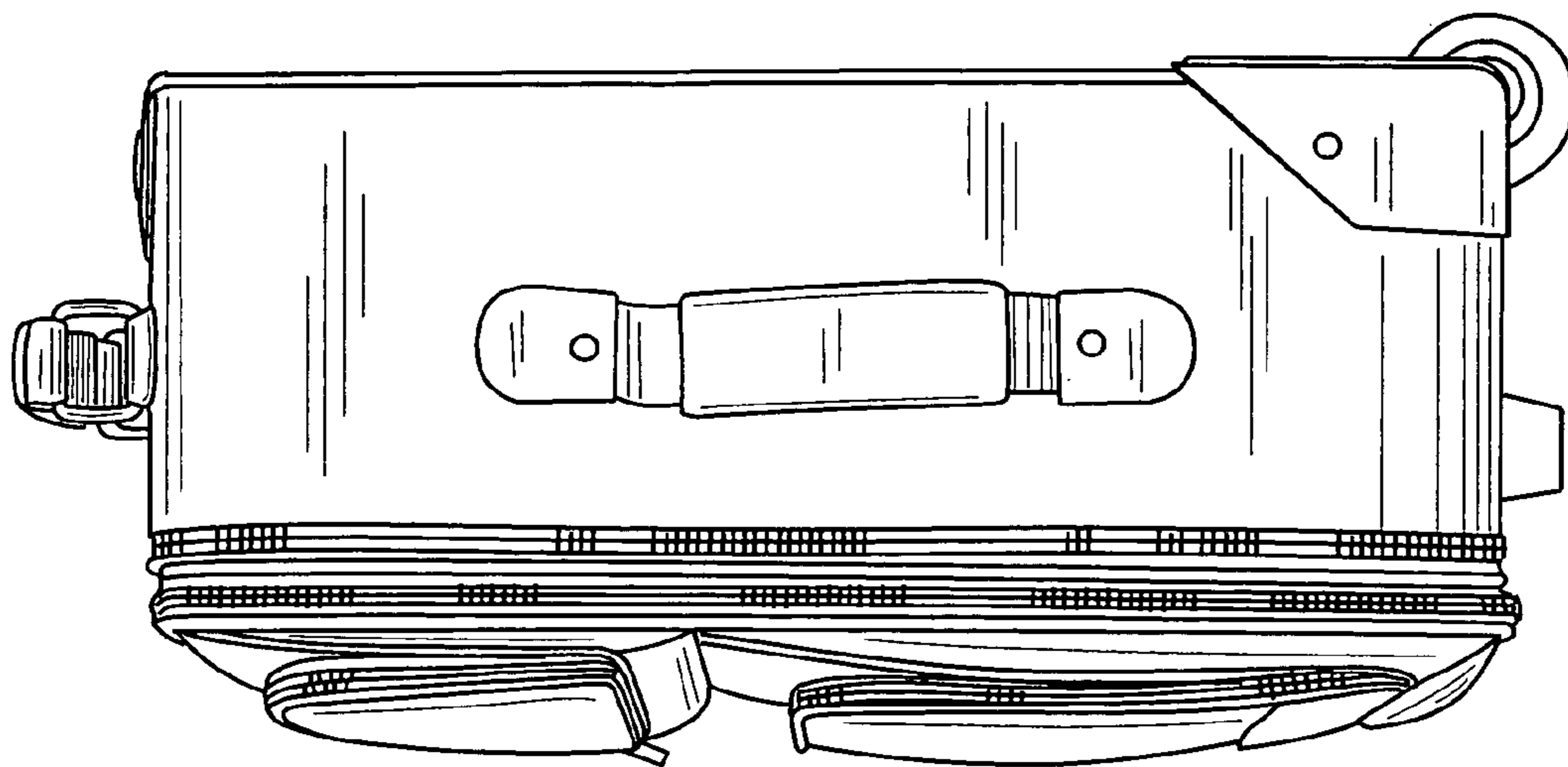


Fig. 19

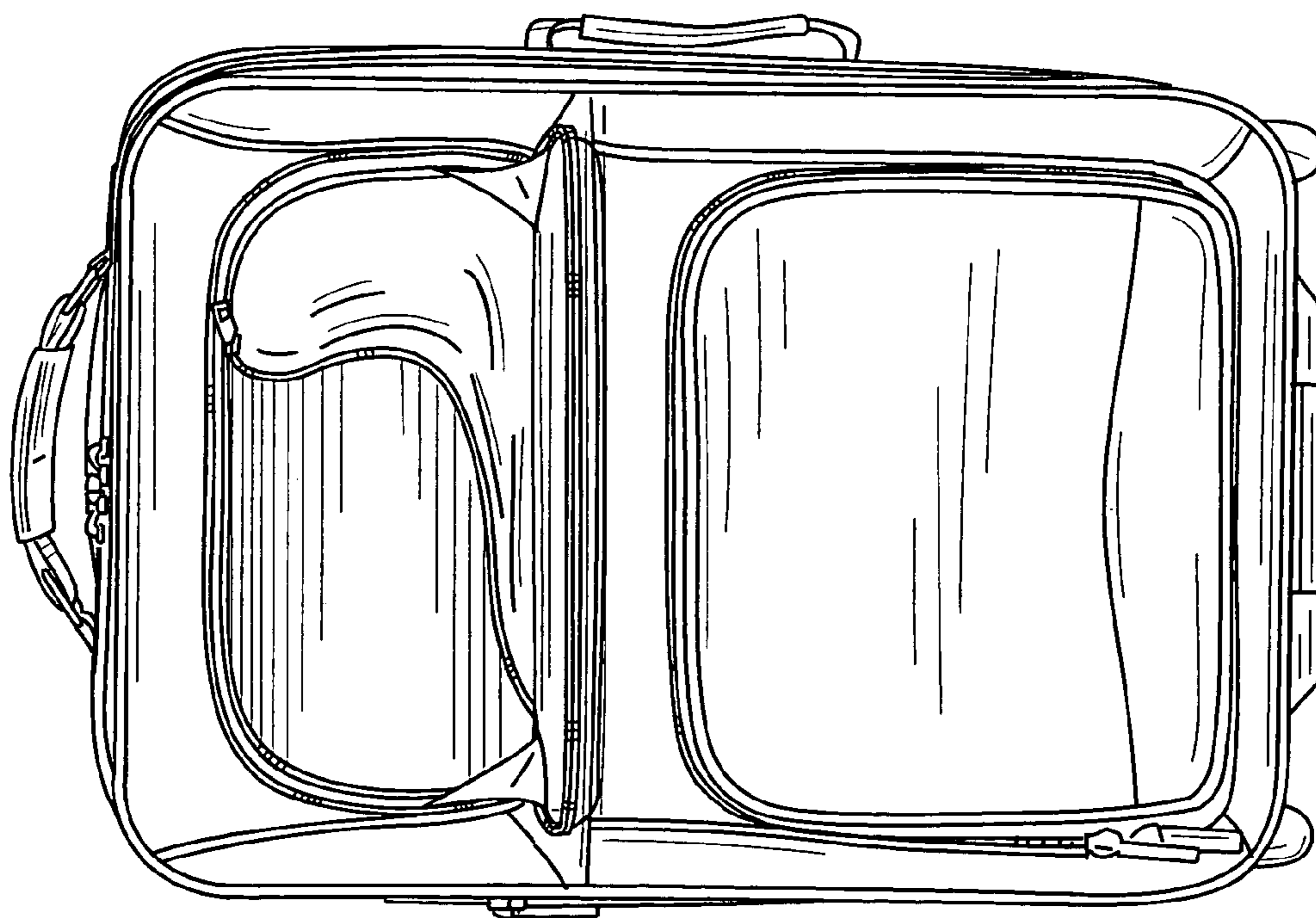


Fig. 18

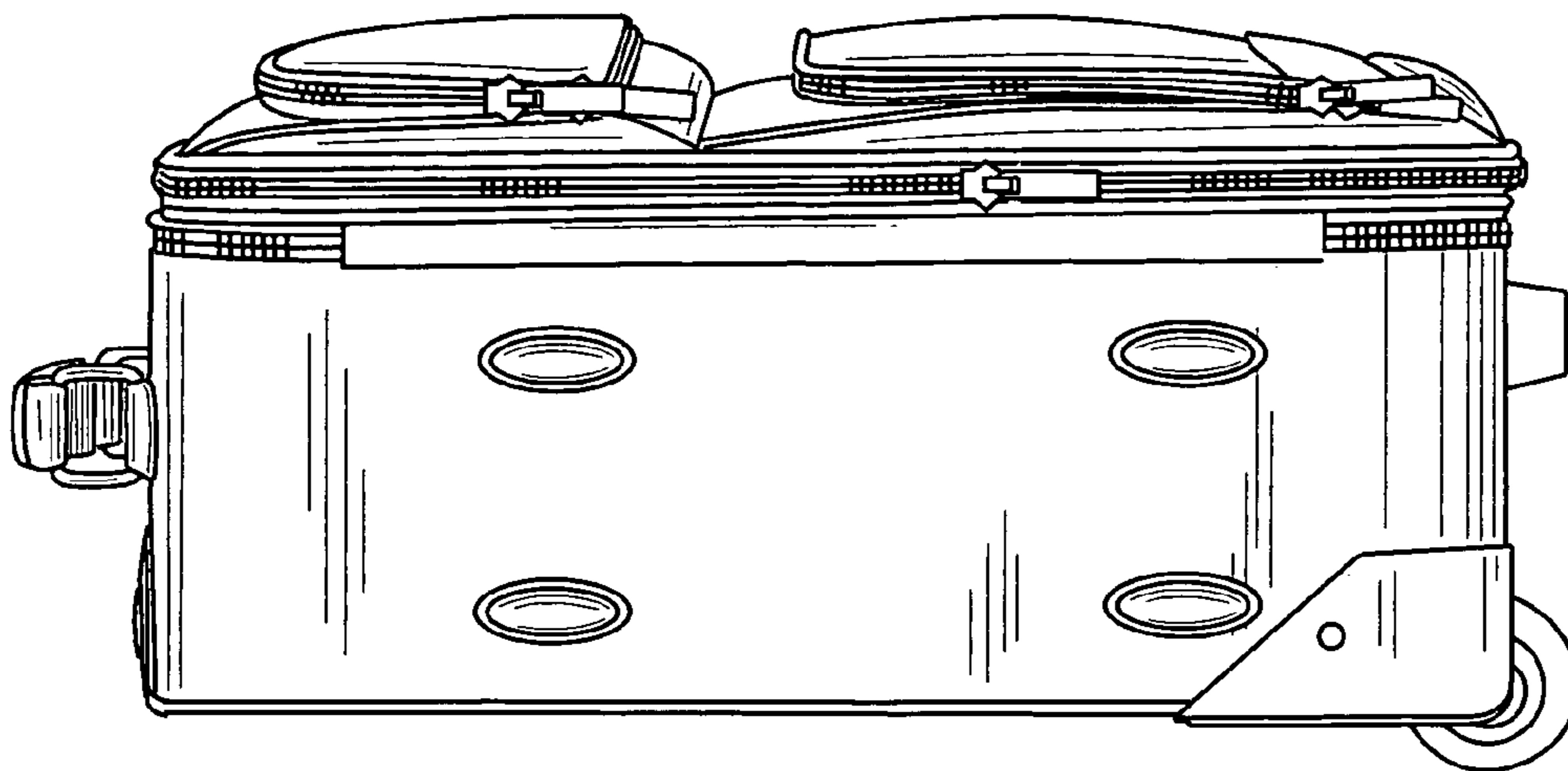


Fig. 21

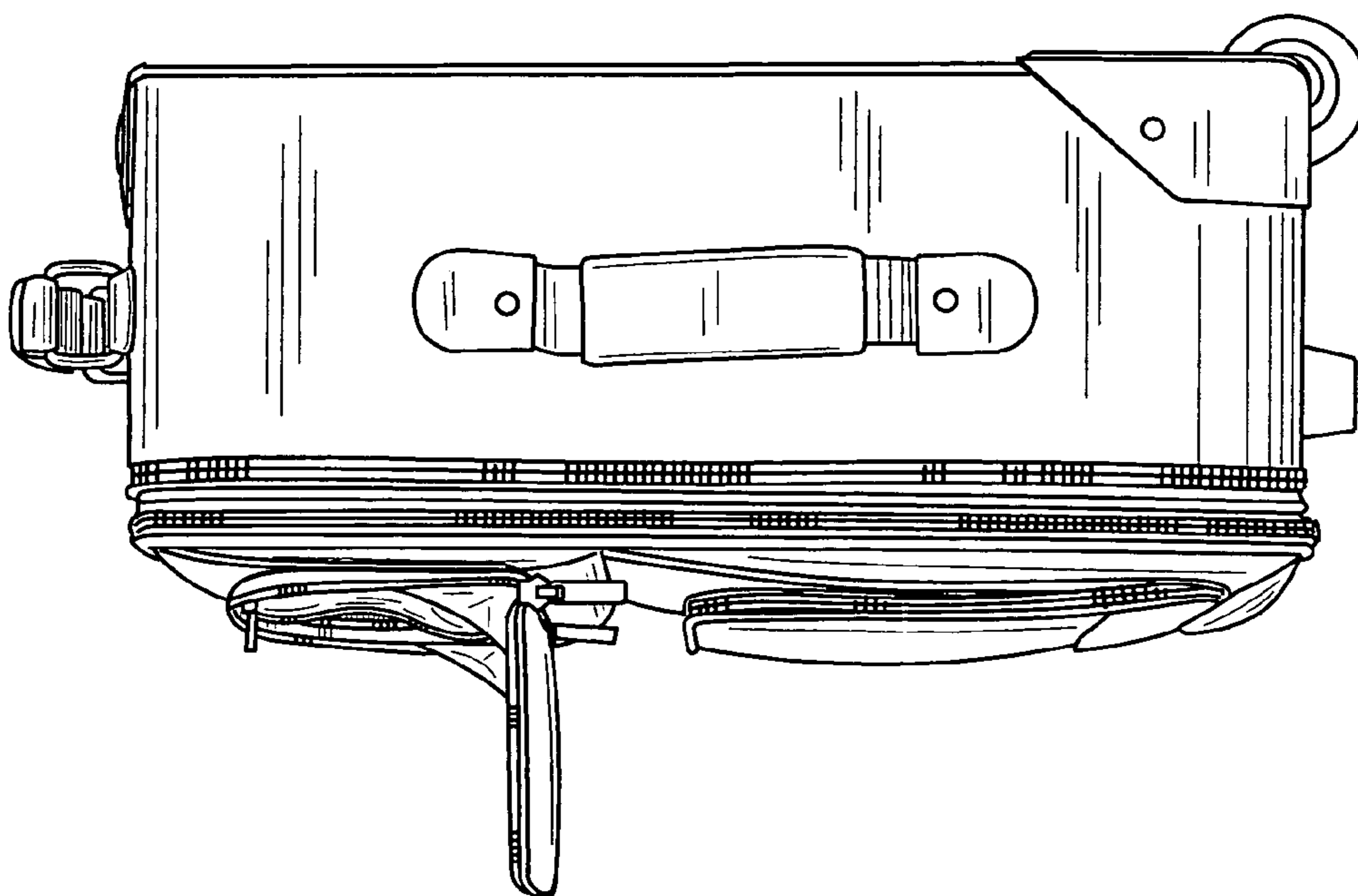


Fig. 20

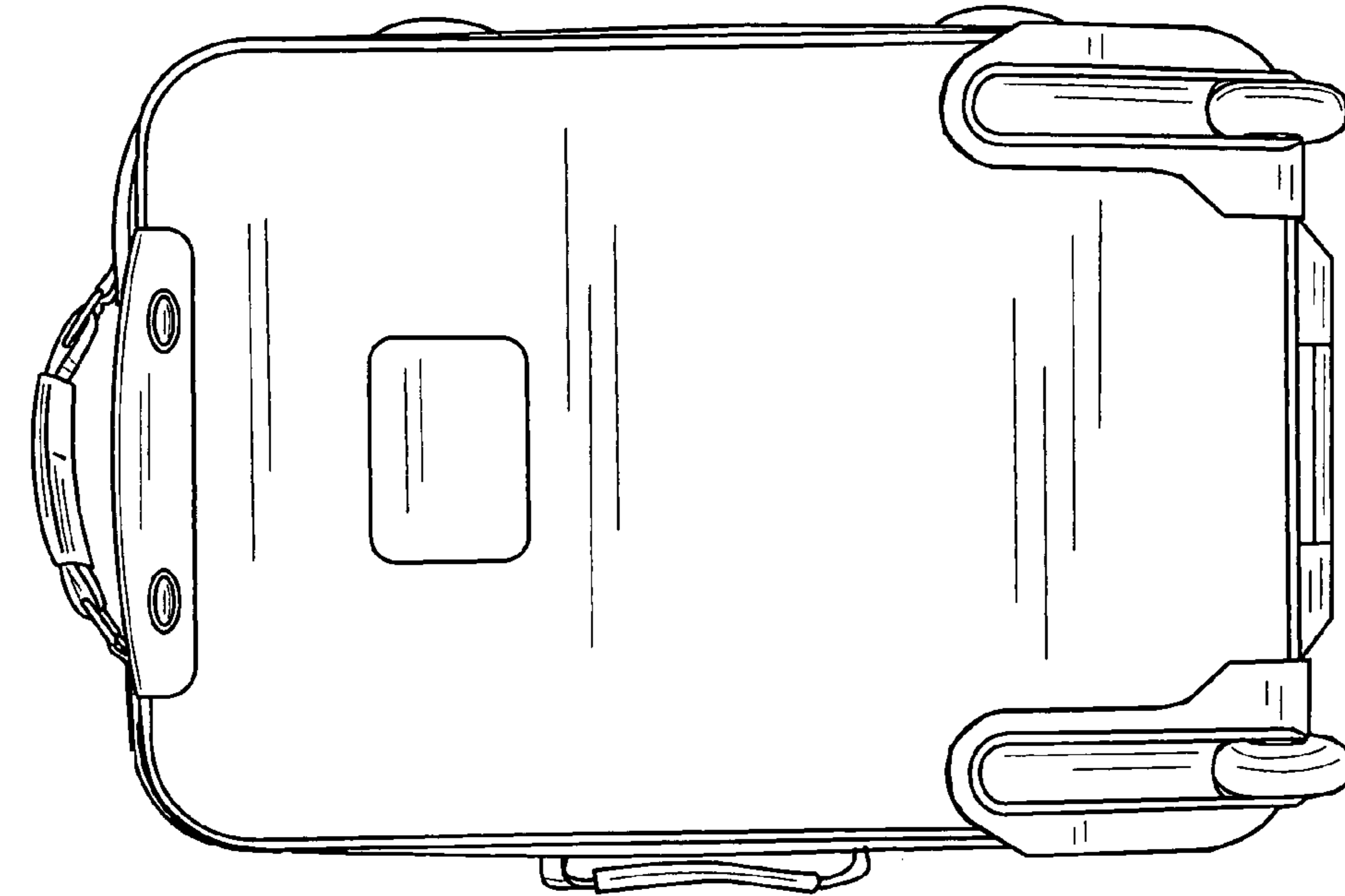


Fig. 23

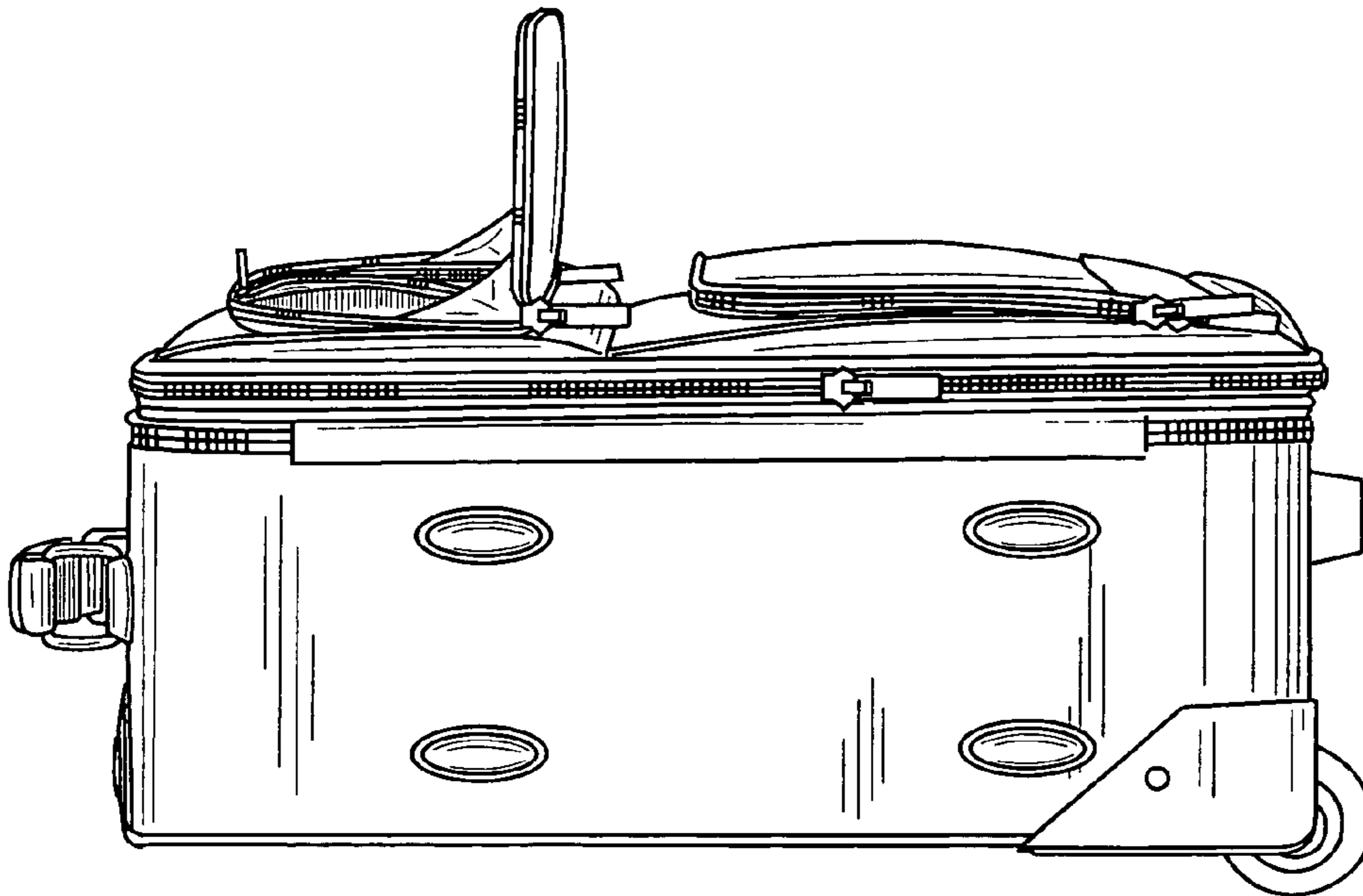


Fig. 22

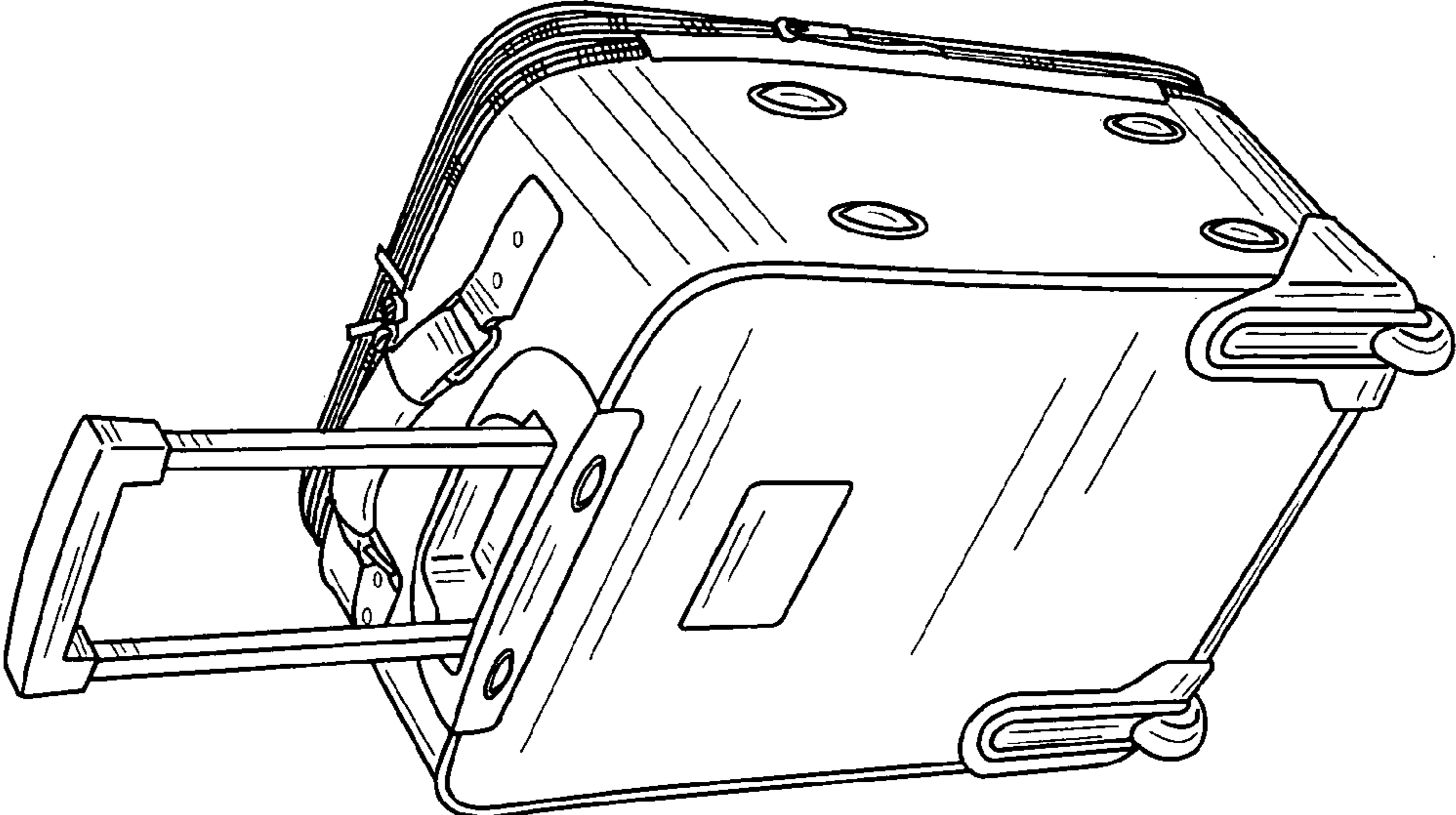


Fig. 25

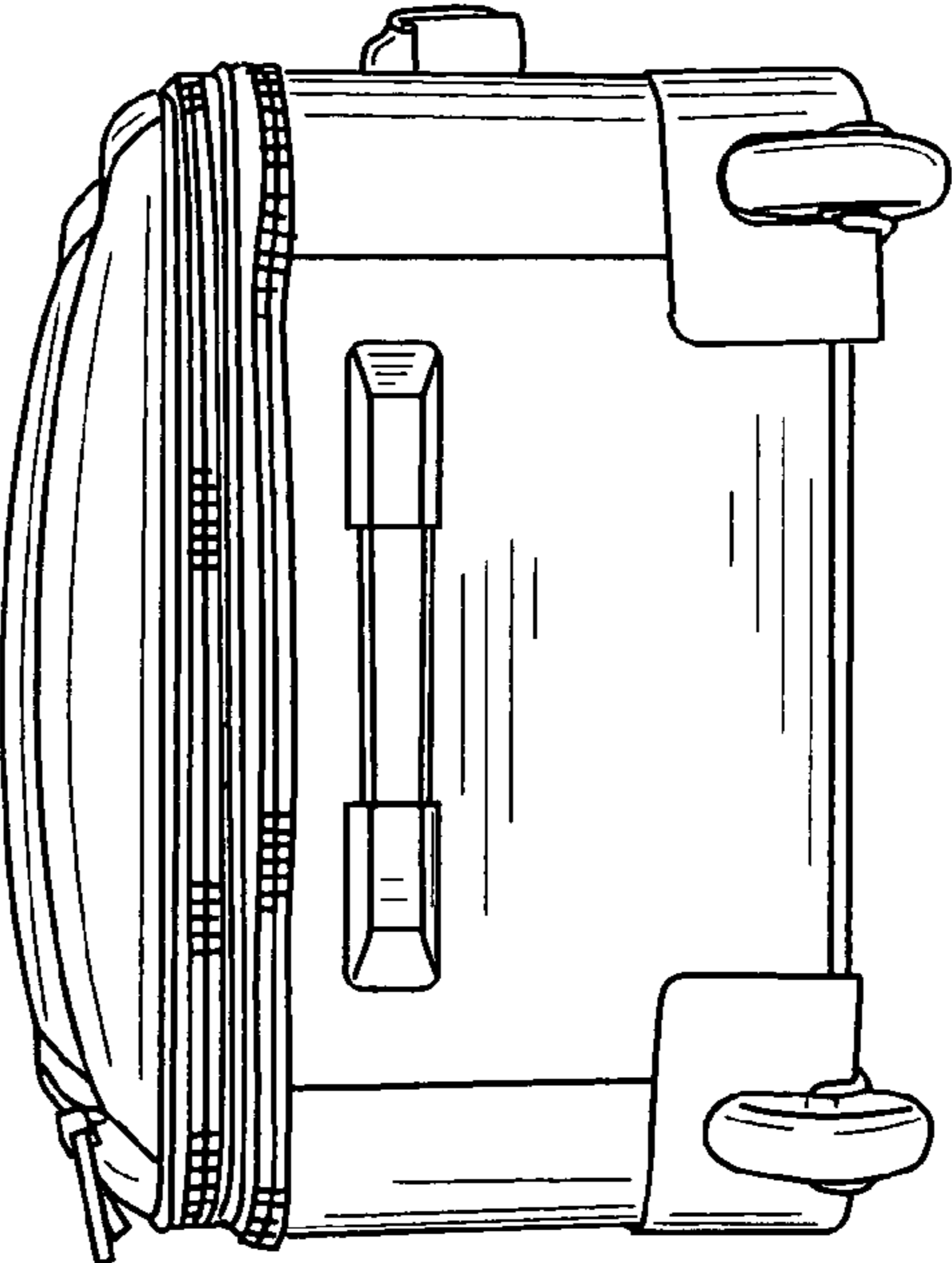


Fig. 24