



US00D640863S

(12) **United States Design Patent**
Raysse

(10) **Patent No.:** **US D640,863 S**

(45) **Date of Patent:** **** Jul. 5, 2011**

- (54) **PERIPHERY OF AN OUTSOLE**
- (75) Inventor: **David Raysse**, Los Angeles, CA (US)
- (73) Assignee: **Skechers U.S.A., Inc., II**, Manhattan Beach, CA (US)
- (**) Term: **14 Years**
- (21) Appl. No.: **29/387,013**
- (22) Filed: **Mar. 8, 2011**
- (51) **LOC (9) Cl.** **02-99**
- (52) **U.S. Cl.** **D2/946; D2/977**
- (58) **Field of Classification Search** D2/896, D2/902, 906-908, 943, 944, 946, 947, 951, D2/953, 960, 977; 36/45-49, 50.1, 77 M, 36/77 R, 83, 88, 113, 114, 126-131, 25 R-25 A
See application file for complete search history.

- D501,708 S * 2/2005 Andrews-Kramer D2/960
- D506,306 S * 6/2005 Teague D2/960
- D507,398 S * 7/2005 Recchi D2/951
- D523,627 S 6/2006 Avar
- D528,772 S 9/2006 Portzline
- D541,020 S 4/2007 McClaskie
- D544,185 S 6/2007 Lupo
- D545,534 S 7/2007 McClaskie
- D553,838 S 10/2007 Belley et al.
- D562,537 S * 2/2008 Apanian D2/953
- D569,081 S 5/2008 Haft et al.
- D598,189 S 8/2009 Lamont
- D601,783 S 10/2009 Pizzuti
- D607,633 S * 1/2010 Mongelli D2/951
- D609,444 S 2/2010 Zhu
- D611,692 S * 3/2010 Bizzo D2/951
- D614,846 S 5/2010 Zhu
- D624,740 S 10/2010 Nelson

* cited by examiner

Primary Examiner — Dominic Simone

(74) *Attorney, Agent, or Firm* — Marshall A. Lerner; Marvin H. Kleinberg; Kleinberg & Lerner, LLP

(56) **References Cited**

U.S. PATENT DOCUMENTS

- D136,381 S * 9/1943 Ghez et al. D2/960
- D253,017 S 10/1979 Marchesi
- D265,144 S 6/1982 Vermonet
- D294,537 S 3/1988 Le
- D294,653 S 3/1988 Le
- D317,224 S 6/1991 Lucas
- D360,064 S 7/1995 Verin
- D378,318 S 3/1997 James
- D414,922 S 10/1999 Wright
- D430,966 S 9/2000 Brady et al.
- D440,746 S 4/2001 Matis
- D447,323 S 9/2001 Cadet
- D449,428 S * 10/2001 McClaskie D2/953
- D454,679 S * 3/2002 Del Biondi D2/951
- D475,514 S * 6/2003 Burg et al. D2/960
- D487,336 S 3/2004 Matis
- D492,840 S * 7/2004 Hearn D2/908
- D495,128 S 8/2004 Avar
- D499,536 S * 12/2004 Castleberry D2/960

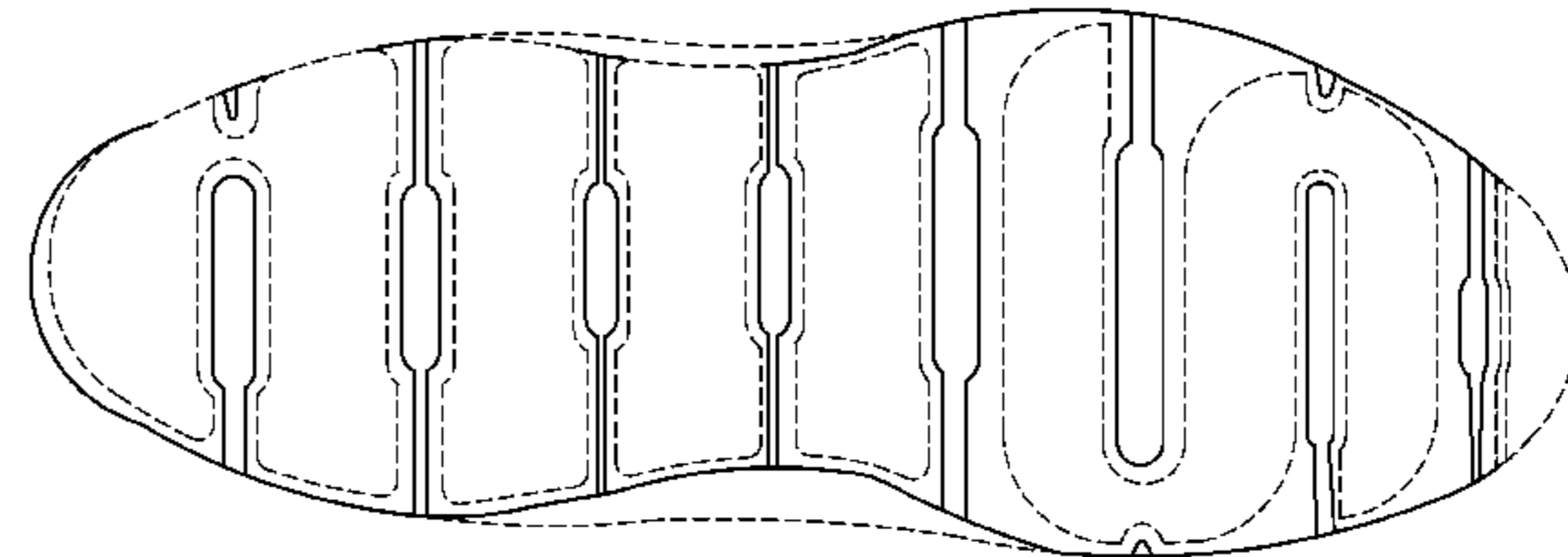
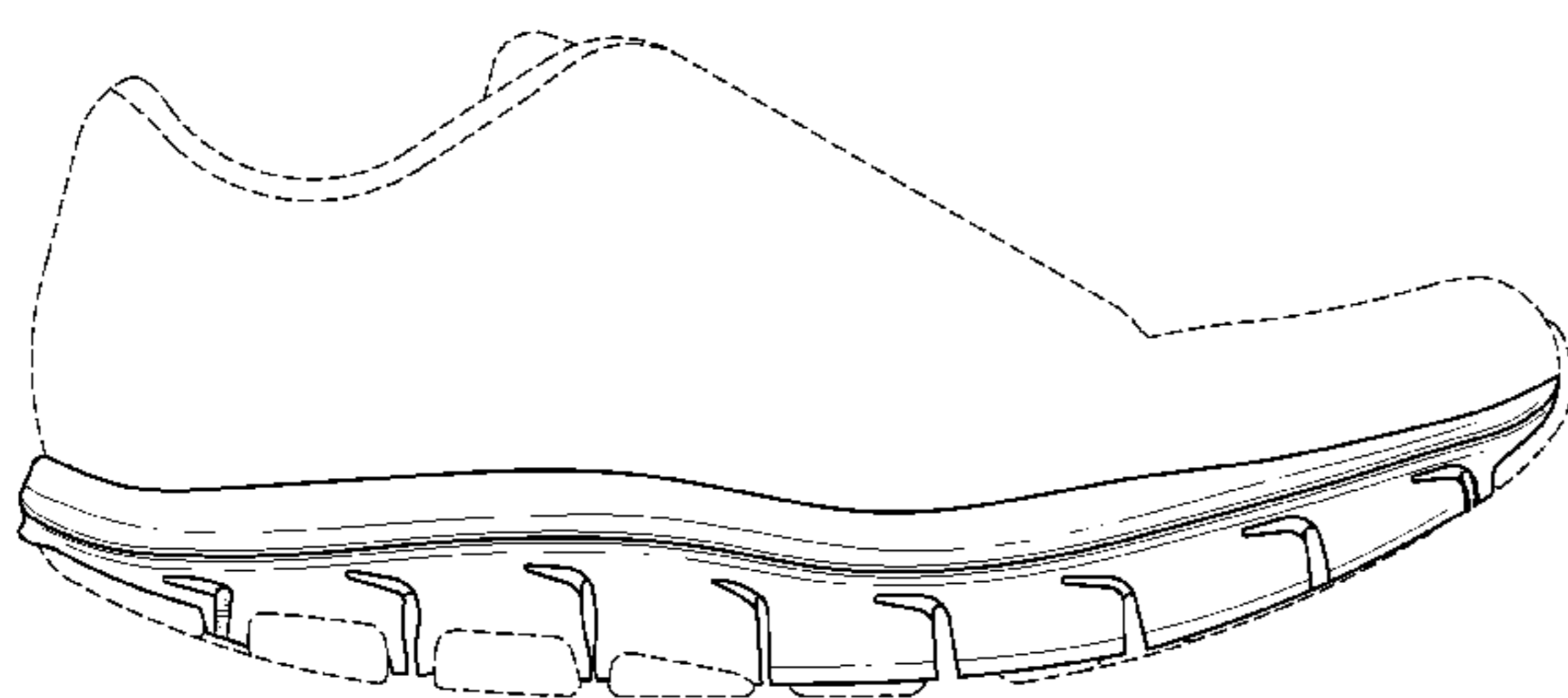
(57) **CLAIM**

The ornamental design for a periphery of an outsole, as shown and described.

DESCRIPTION

FIG. 1 is a perspective view of a periphery of an outsole in accordance with my new design.
 FIG. 2 is a left side view thereof;
 FIG. 3 is a right side view thereof;
 FIG. 4 is a top plan view thereof;
 FIG. 5 is a bottom plan view thereof;
 FIG. 6 is a rear elevation view thereof; and,
 FIG. 7 is a front elevation view thereof.
 Broken lines in the figures are for illustrative purposes only and form no part of the claimed invention.

1 Claim, 6 Drawing Sheets



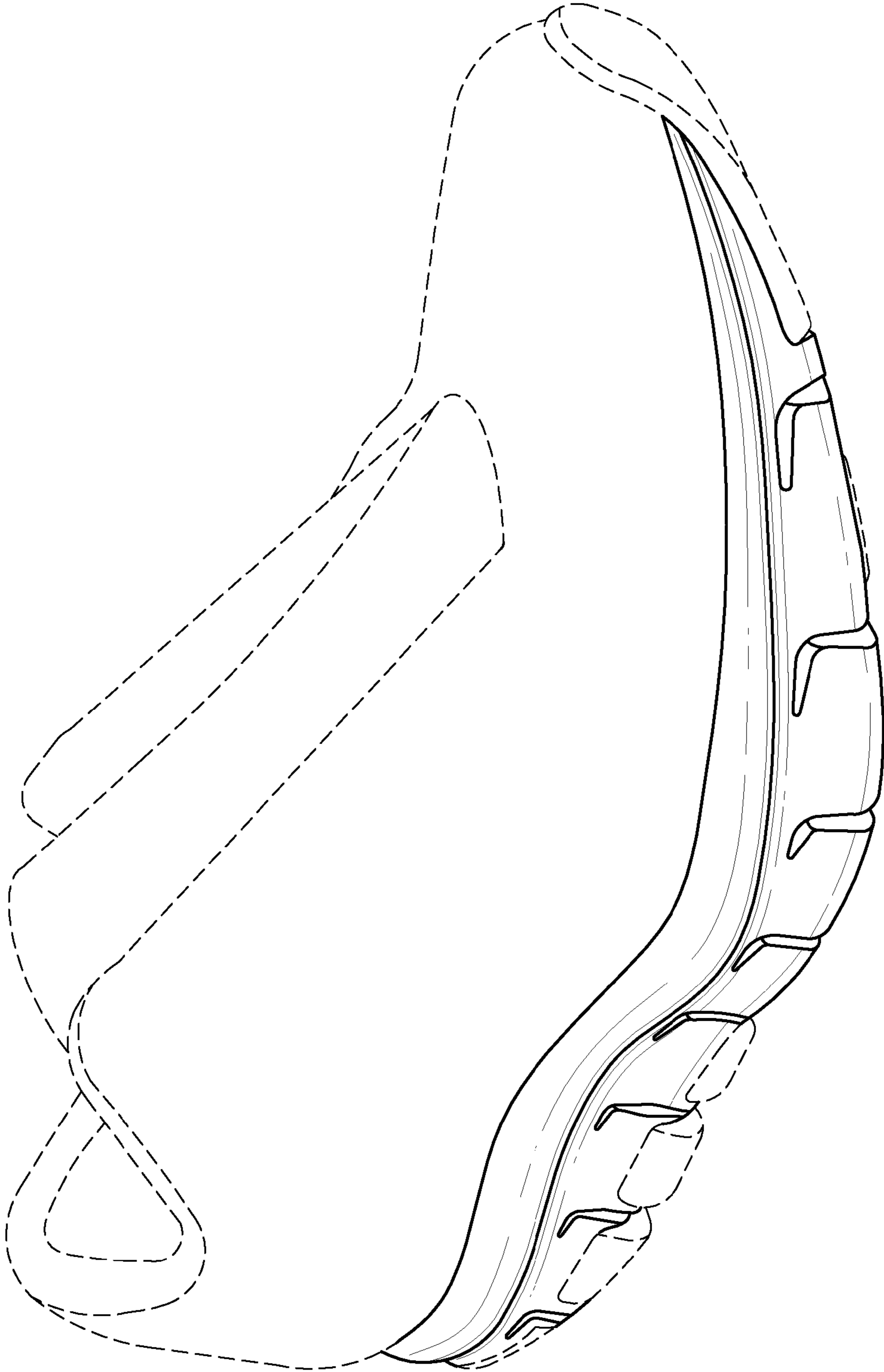


FIG. 1

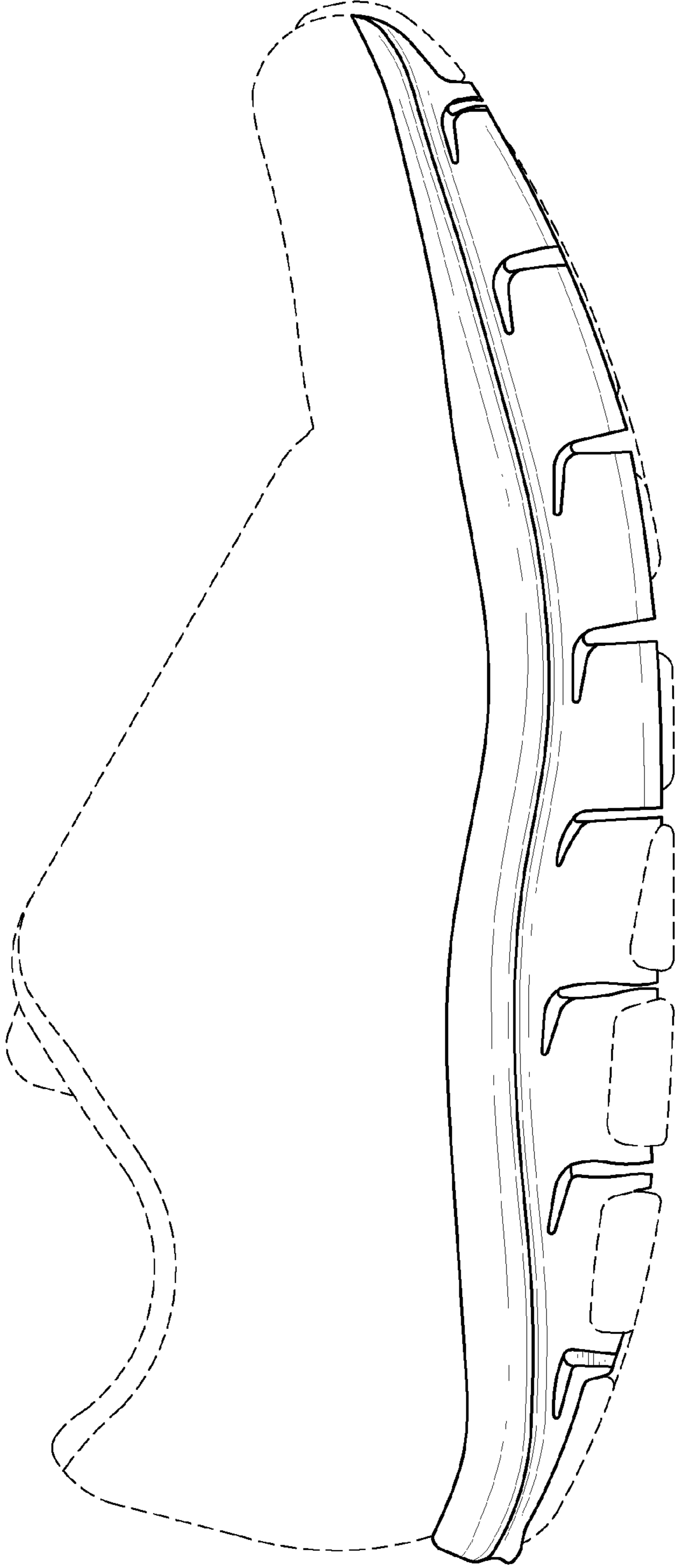


FIG. 2

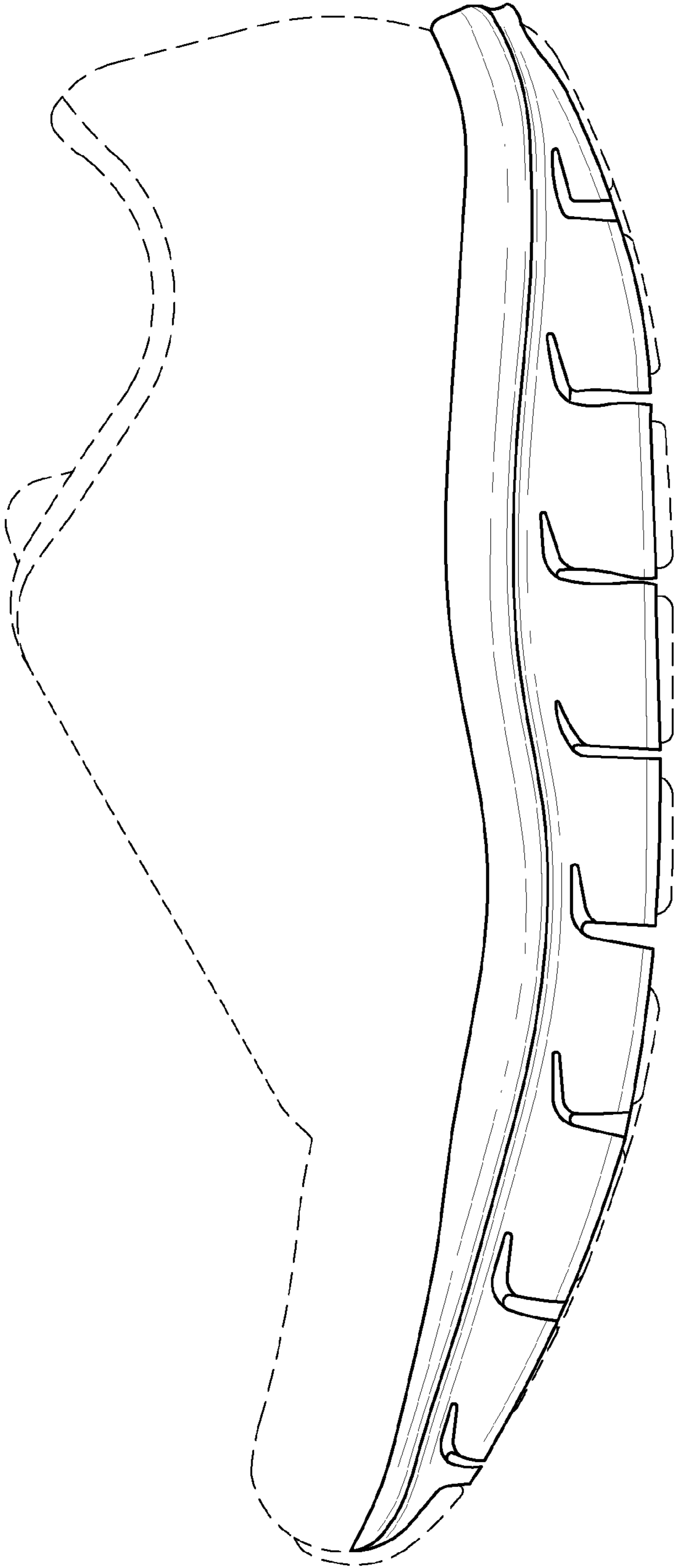


FIG. 3

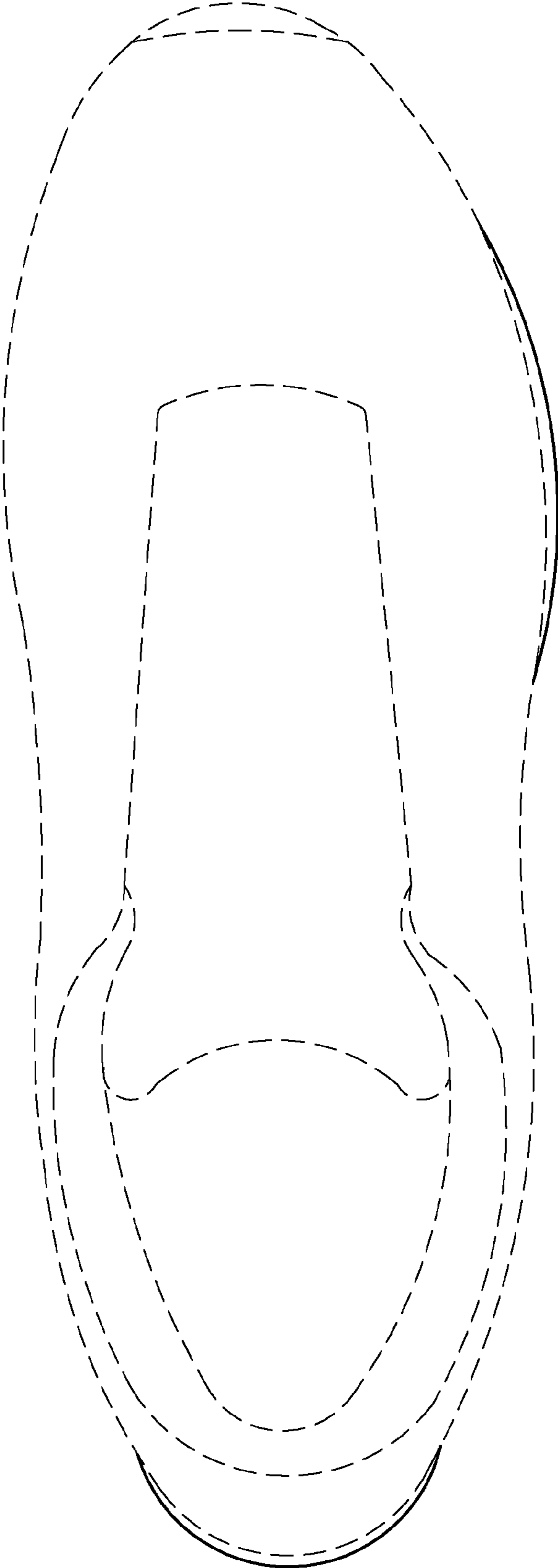


FIG. 4

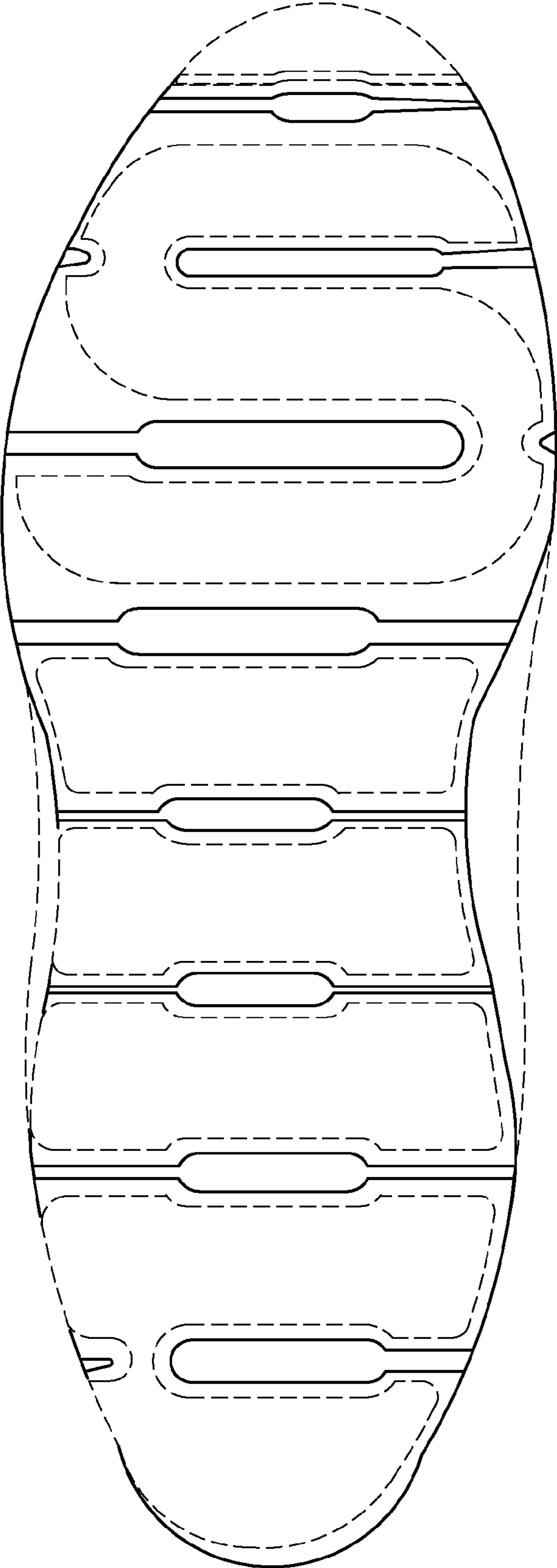


FIG. 5

FIG. 7

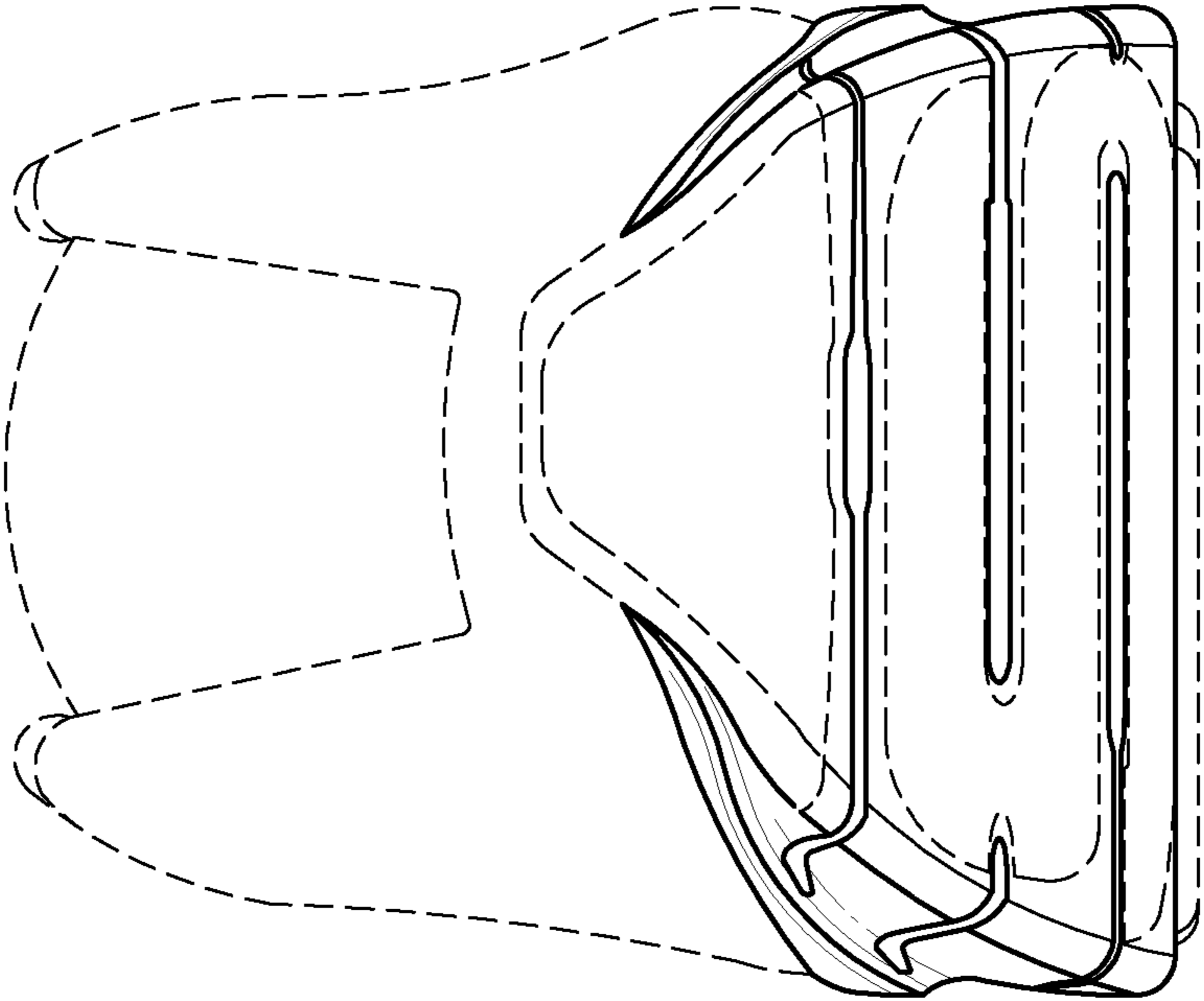


FIG. 6

