



US00D640855S

(12) **United States Design Patent**  
**Ruppert et al.**

(10) **Patent No.:** **US D640,855 S**  
(45) **Date of Patent:** **\*\* Jun. 28, 2011**

(54) **REACH TRUCK**

D605,374 S \* 12/2009 Nishikawa et al. .... D34/34  
7,845,657 B2 \* 12/2010 Waltz et al. .... 280/81.1  
7,849,951 B2 \* 12/2010 Borchers et al. .... 180/305

(75) Inventors: **Adam M. Ruppert**, Wapakoneta, OH  
(US); **Robert J. Henshaw**, Newnan, GA  
(US); **Benjamin J. Purrenhage**, New  
Bremen, OH (US)

**OTHER PUBLICATIONS**

Crown; RR 5700 S Series Profile Sheet; SF18380-1; Jul. 2009.  
Crown; RC 5500 Series Profile Sheet; SF18479; Dec. 2009.  
Crown; ESR 5000 Series; MO3465-006-02; Dec. 2008.

(73) Assignee: **Crown Equipment Corporation**, New  
Bremen, OH (US)

\* cited by examiner

(\*\*) Term: **14 Years**

*Primary Examiner* — Cynthia Ramirez

(21) Appl. No.: **29/369,627**

(74) *Attorney, Agent, or Firm* — Stevens & Showalter LLP

(22) Filed: **Sep. 10, 2010**

(57) **CLAIM**

The ornamental design for a reach truck, as shown and  
described.

(51) **LOC (9) Cl.** ..... **12-05**

**DESCRIPTION**

(52) **U.S. Cl.** ..... **D34/34**

(58) **Field of Classification Search** ..... D34/34;  
280/402; 180/89.12; 414/479, 81.4, 294,  
414/680

See application file for complete search history.

(56) **References Cited**

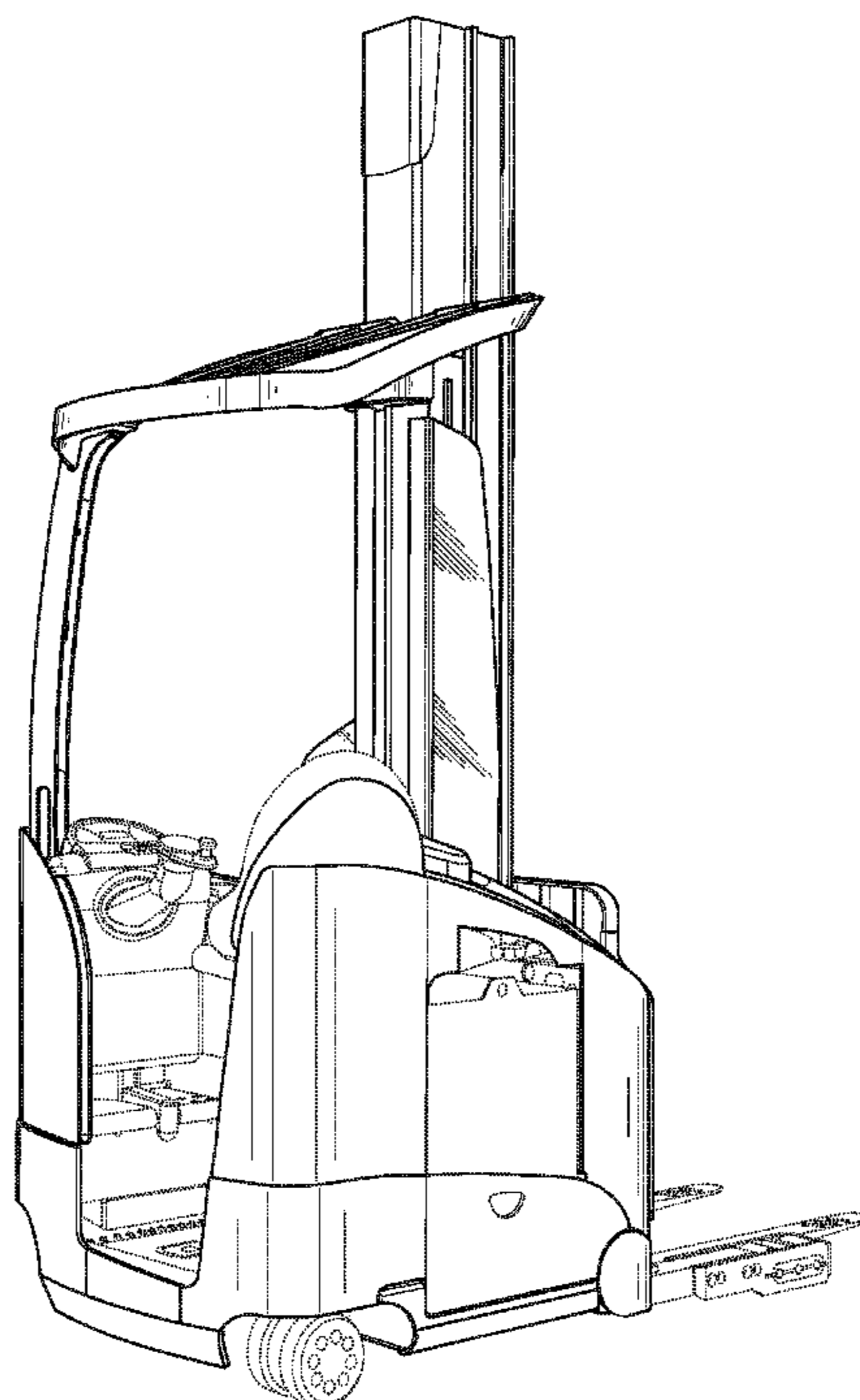
**U.S. PATENT DOCUMENTS**

4,266,808	A *	5/1981	Fassett	.....	280/756
5,297,645	A *	3/1994	Eckersley et al.	.....	180/68.5
D407,176	S *	3/1999	Henshaw et al.	.....	D34/34
D407,177	S	3/1999	Henshaw et al.		
5,890,562	A *	4/1999	Bartels et al.	.....	187/224
6,182,797	B1 *	2/2001	Tebbe et al.	.....	187/227
D539,503	S	3/2007	Quinlan, Jr. et al.		
D544,174	S *	6/2007	Quinlan et al.	.....	D34/34
D544,673	S	6/2007	Quinlan, Jr. et al.		
7,306,280	B1 *	12/2007	Kraimer	.....	296/190.03
D579,621	S *	10/2008	Babel et al.	.....	D34/34
D580,124	S *	11/2008	Babel et al.	.....	D34/34
D585,623	S *	1/2009	Quinlan et al.	.....	D34/34

FIG. 1 is a perspective view of the reach truck taken from the  
right rear showing our new design;  
FIG. 2 is a perspective view of the reach truck taken from the  
left rear thereof;  
FIG. 3 is a perspective view of the reach truck taken from the  
left front thereof;  
FIG. 4 is a perspective view of the reach truck taken from the  
right front thereof;  
FIG. 5 is a front elevational view thereof;  
FIG. 6 is a rear elevational view thereof;  
FIG. 7 is a right side elevational view thereof;  
FIG. 8 is a left side elevational view thereof;  
FIG. 9 is a top plan view thereof; and,  
FIG. 10 is a bottom plan view thereof.

The broken line showing in the figures is included for the  
purpose of illustrating environment and forms no part of the  
claimed design.

**1 Claim, 10 Drawing Sheets**



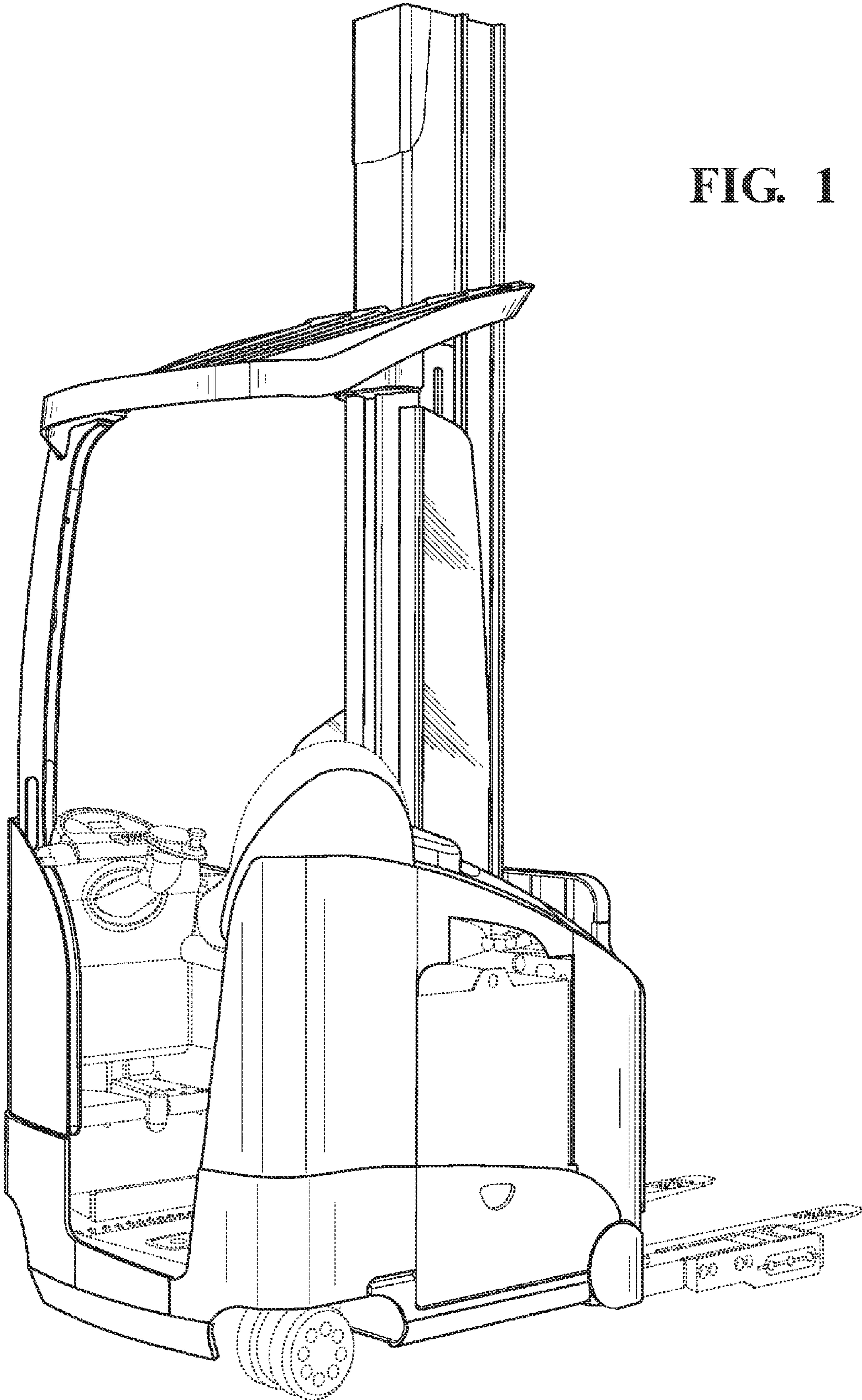


FIG. 1

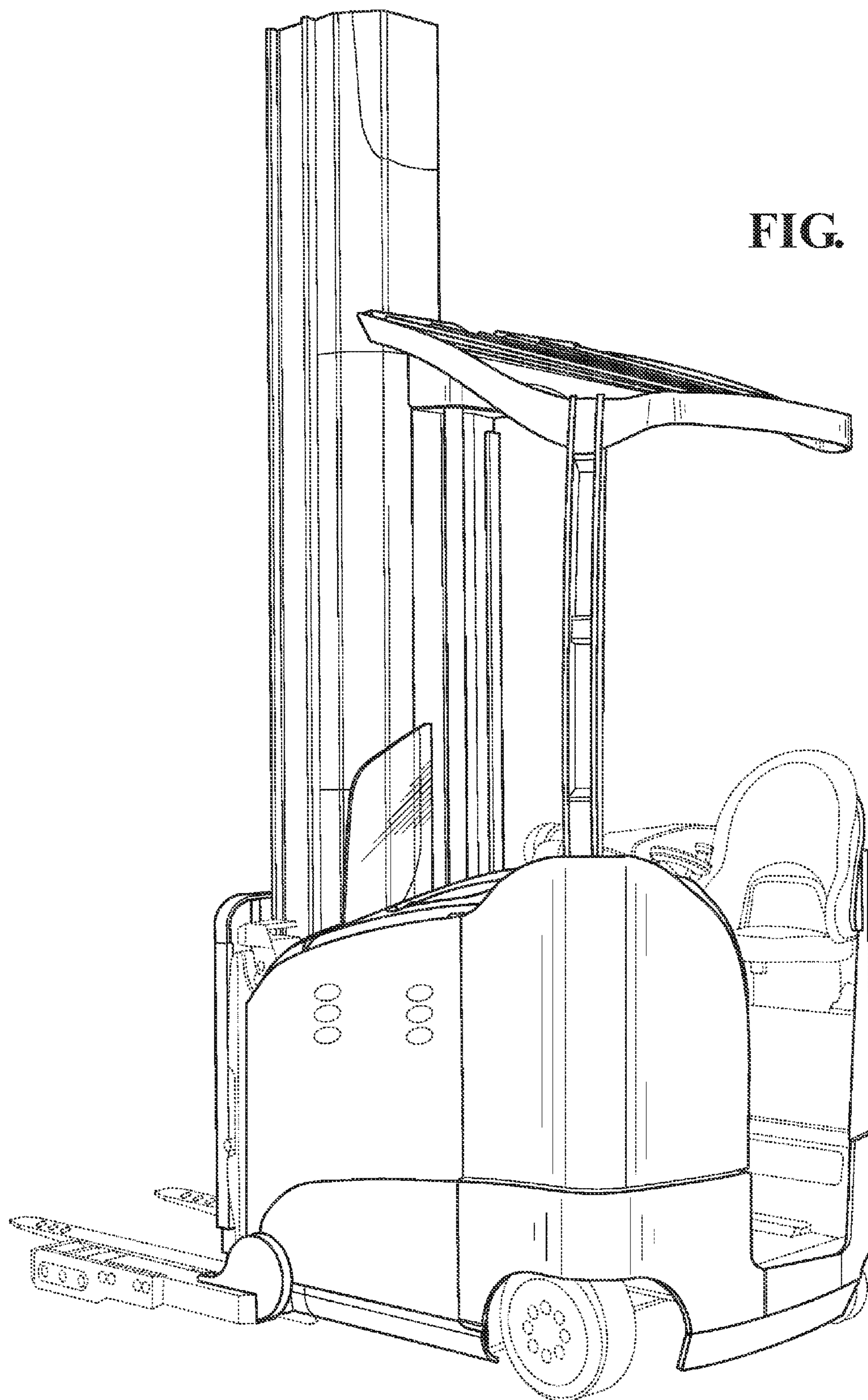
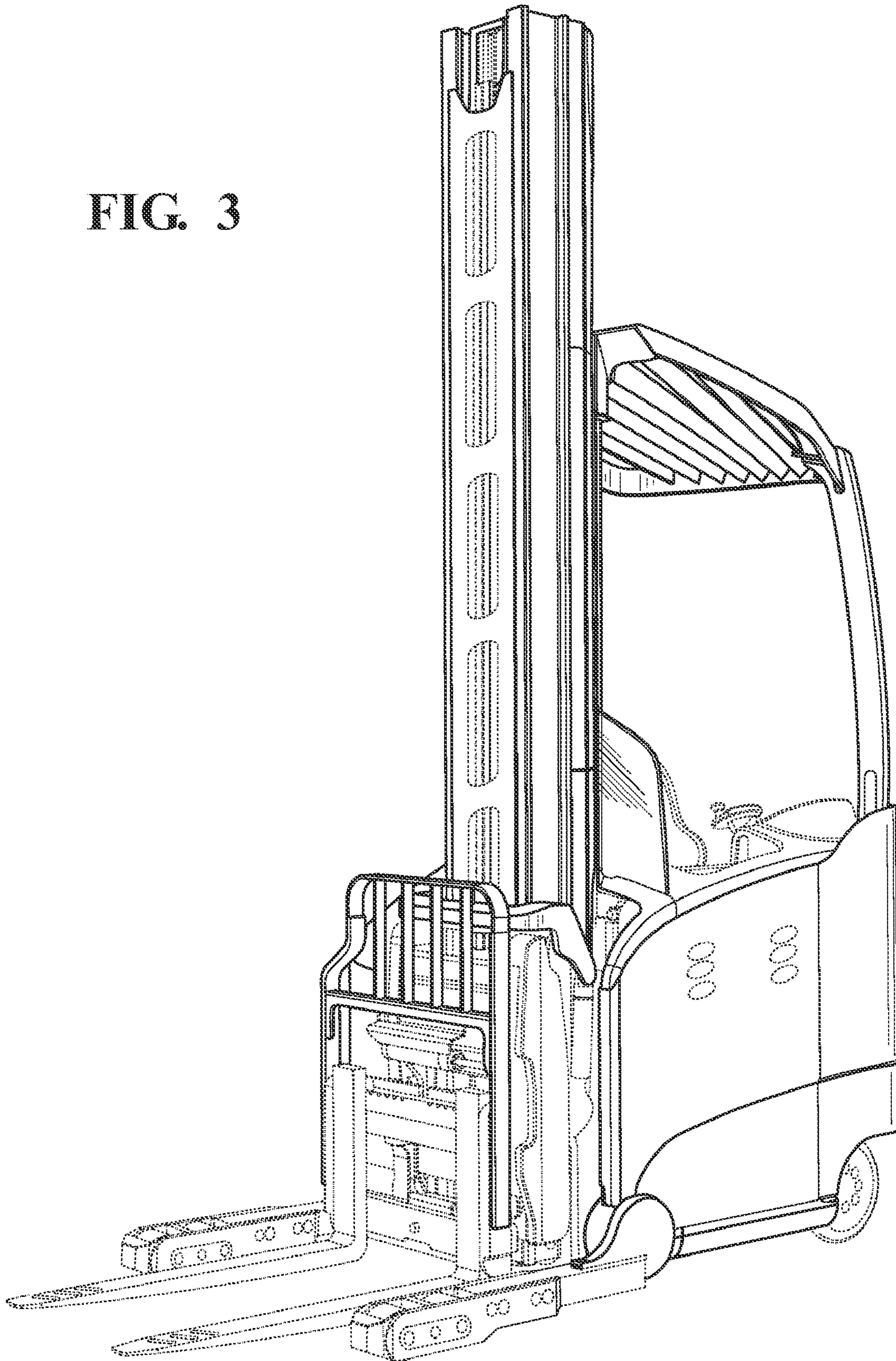


FIG. 2

FIG. 3



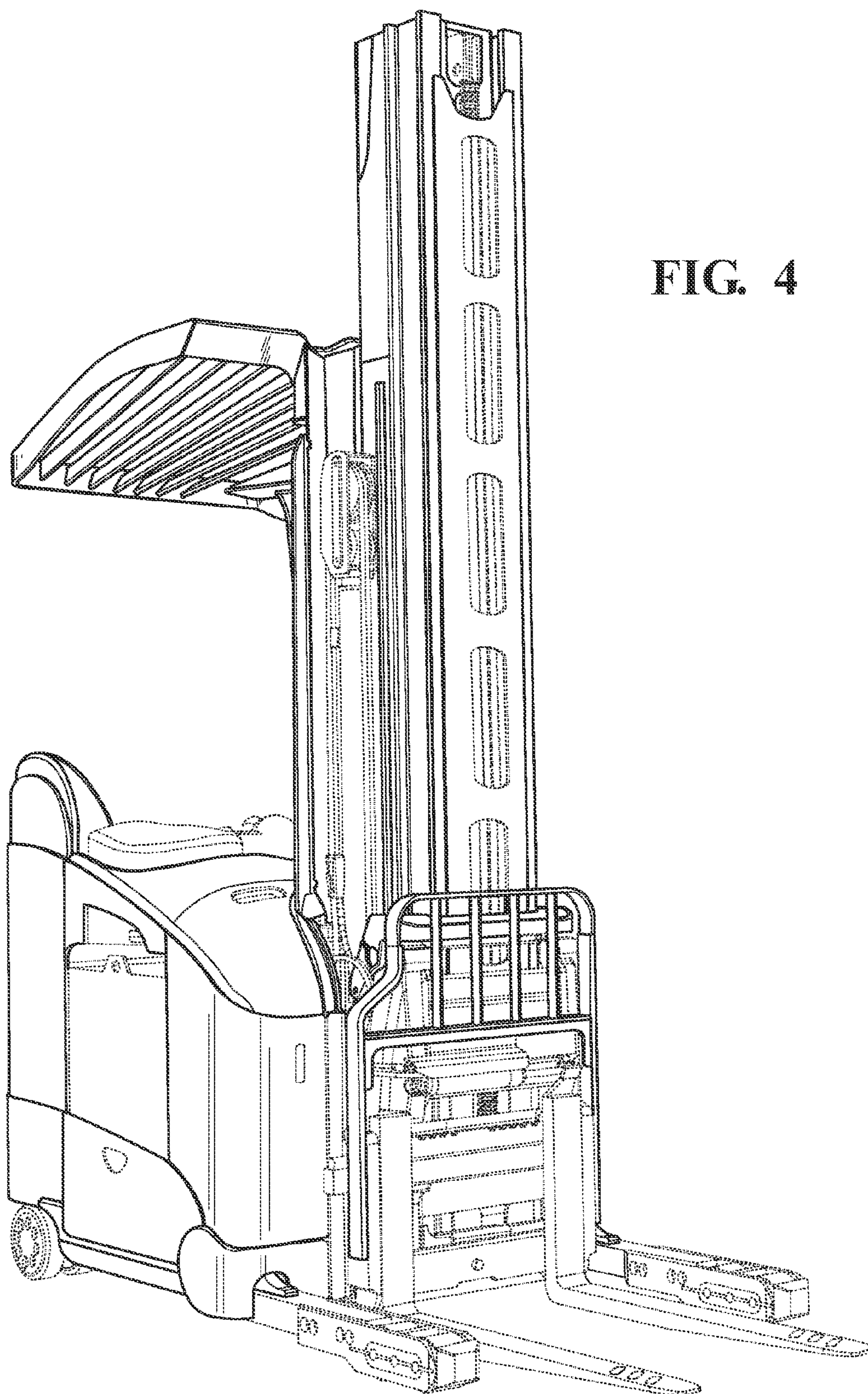
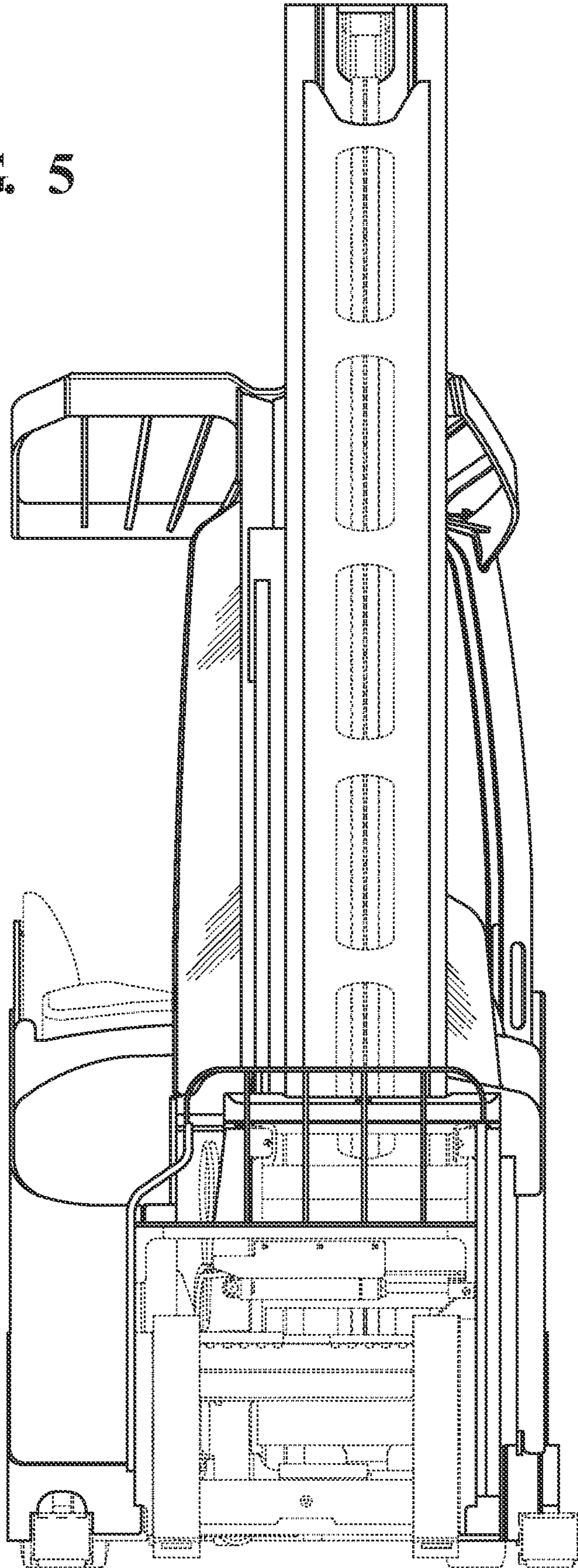


FIG. 4

FIG. 5



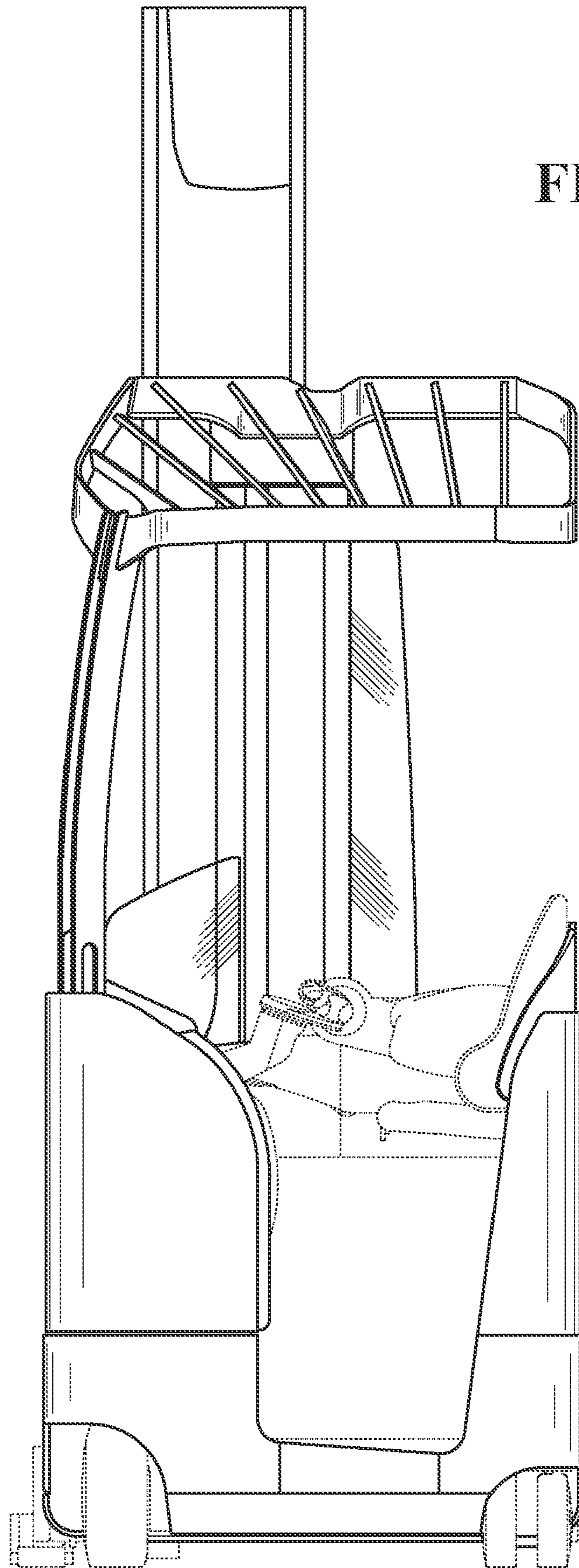


FIG. 6

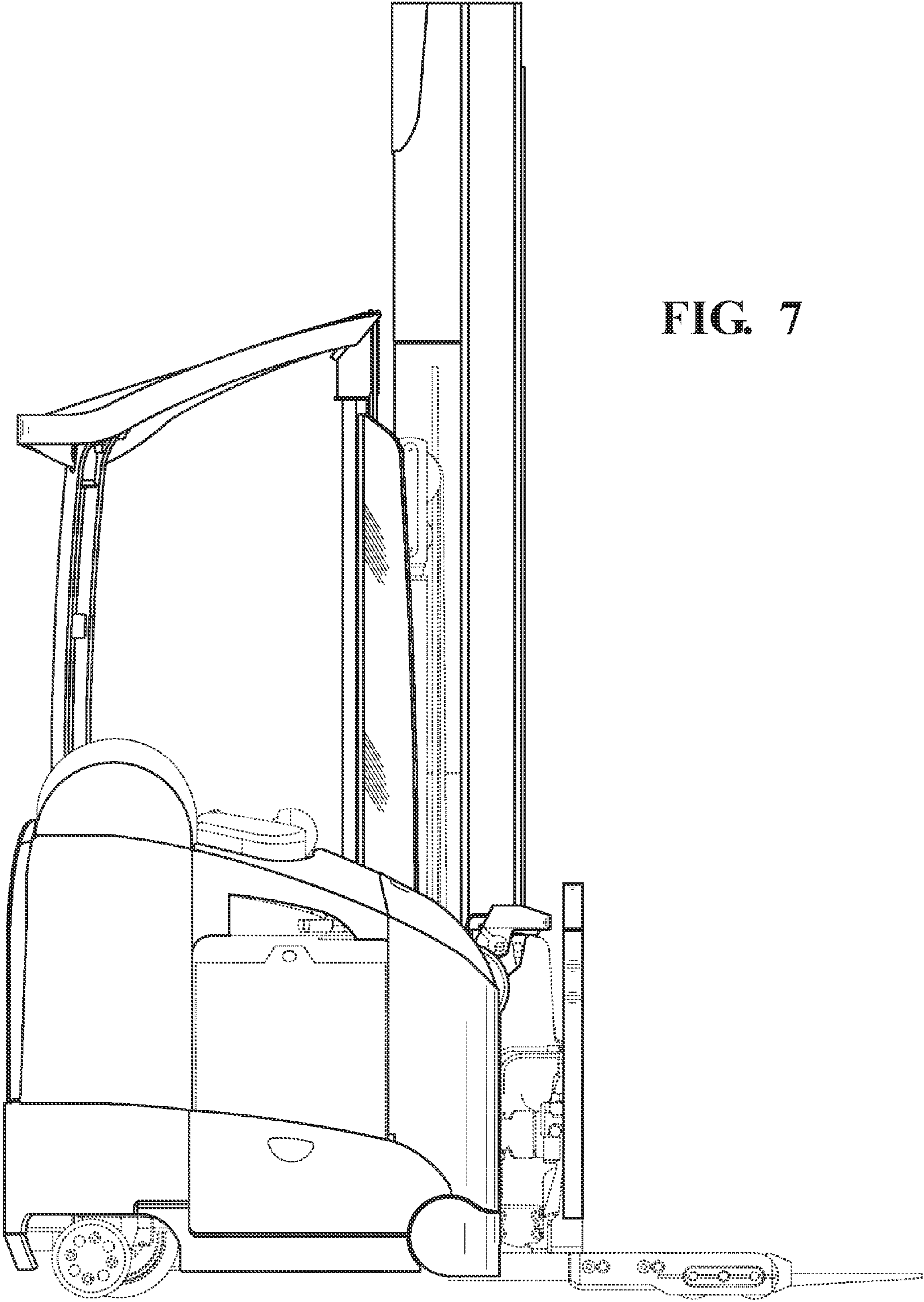


FIG. 7



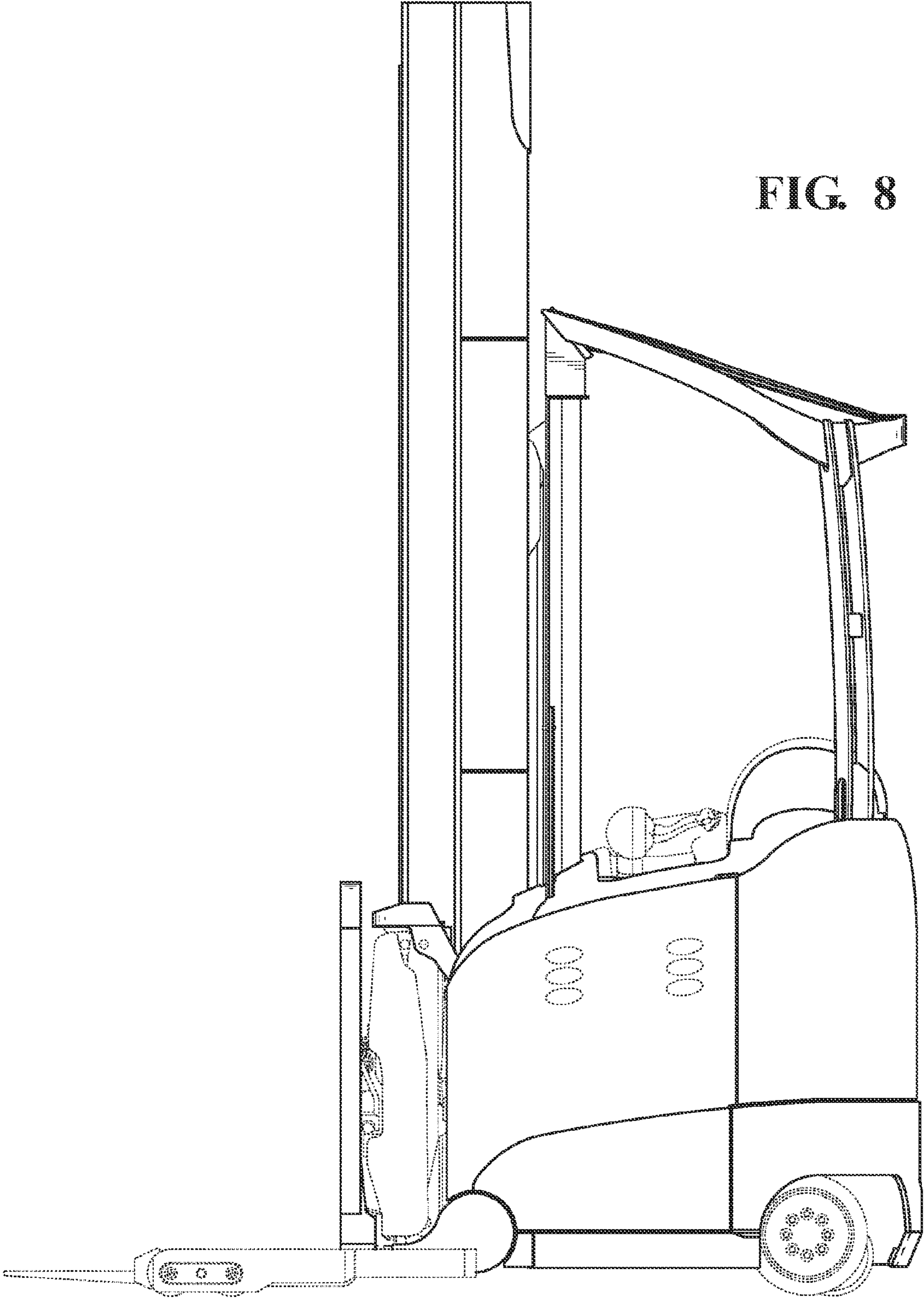


FIG. 8

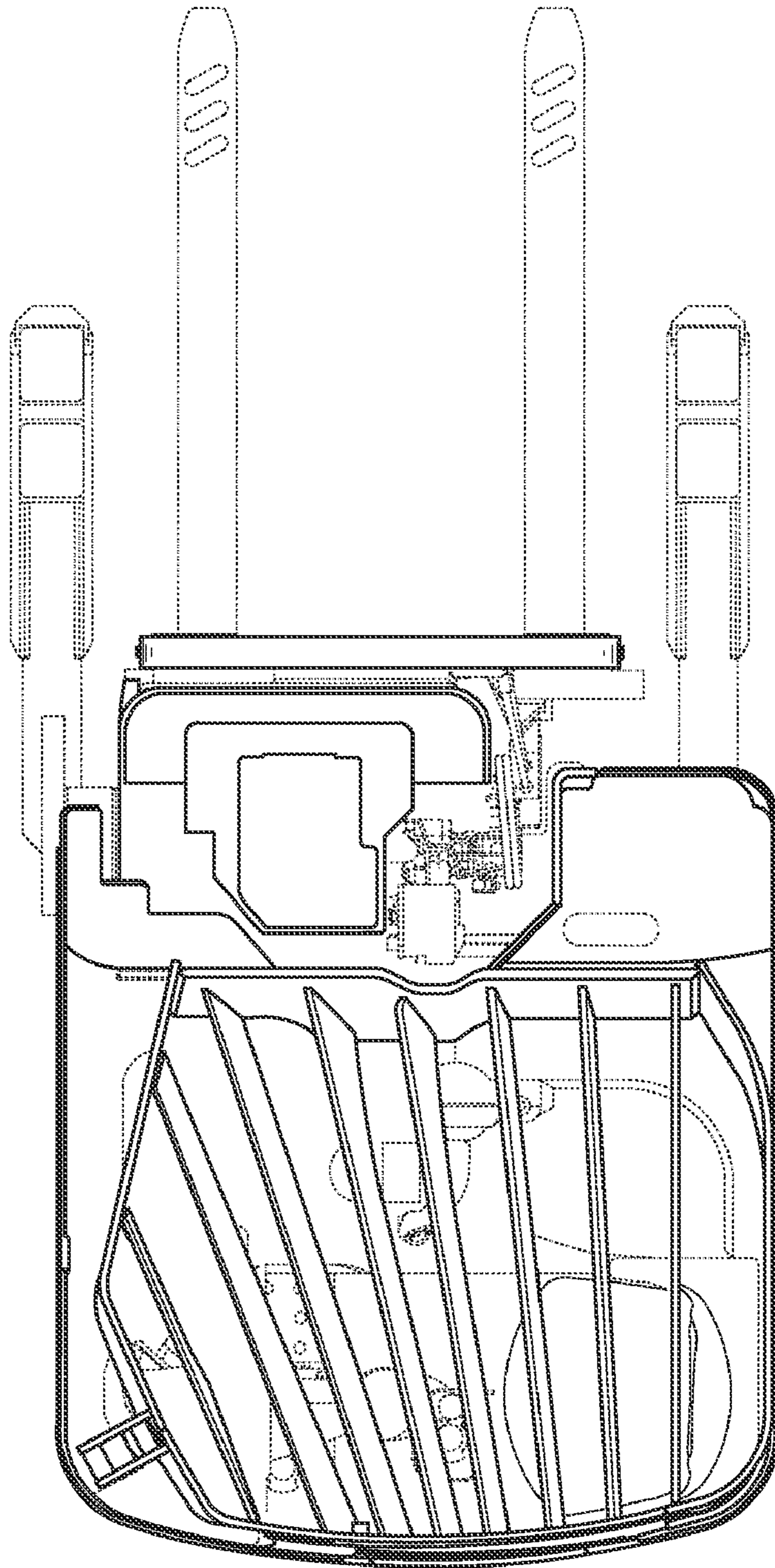


FIG. 9

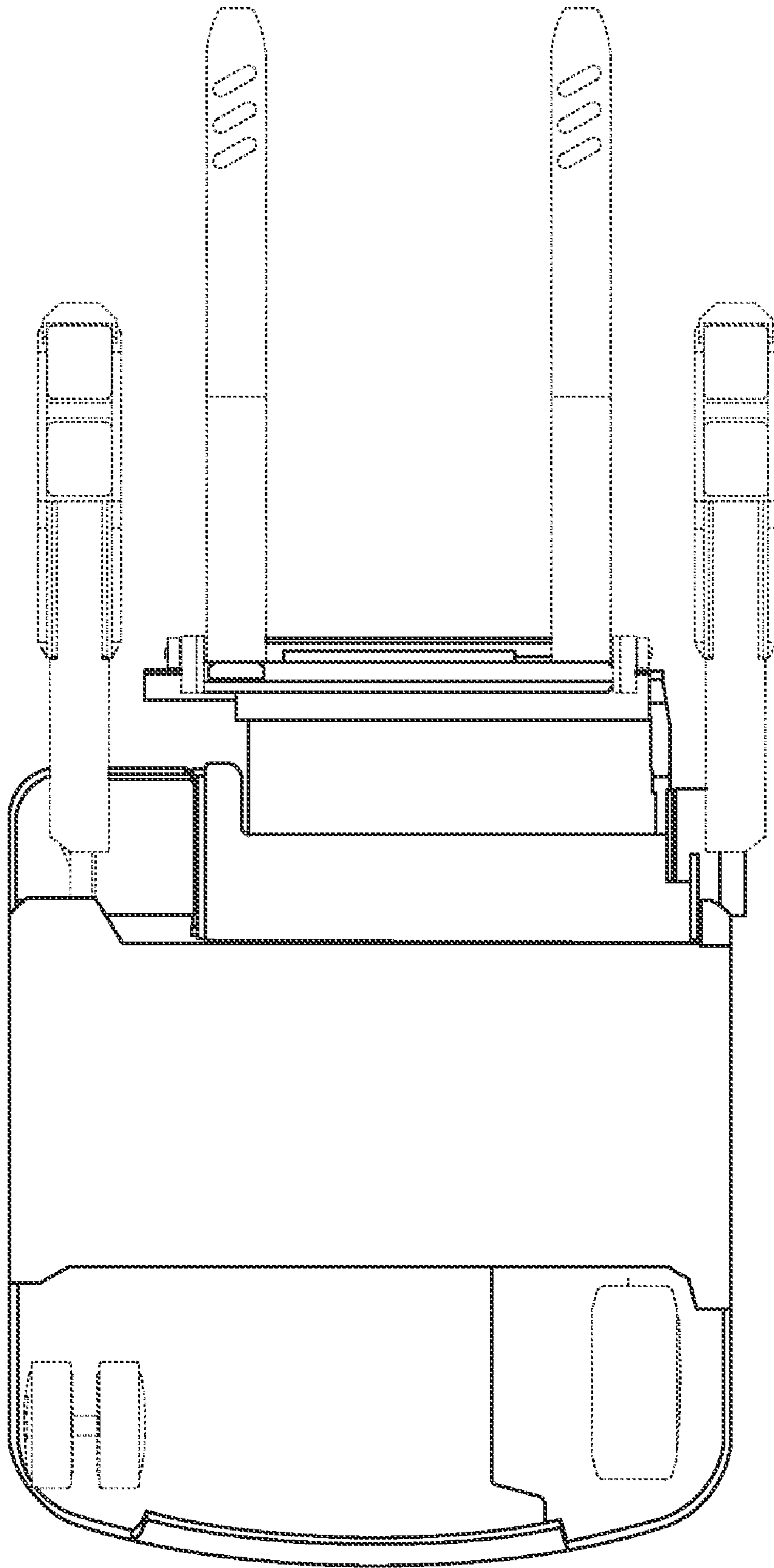


FIG. 10