



US00D640853S

(12) **United States Design Patent**
Cullen

(10) **Patent No.:** **US D640,853 S**
(45) **Date of Patent:** **** Jun. 28, 2011**

(54) **MATERIAL CONVEYOR**

(75) Inventor: **Steven R. Cullen**, Chinook, WA (US)

(73) Assignee: **SRC Innovations, LLC**, Chinook, WA (US)

(**) Term: **14 Years**

(21) Appl. No.: **29/338,930**

(22) Filed: **Jun. 21, 2009**

(51) **LOC (9) Cl.** **12-05**

(52) **U.S. Cl.** **D34/29**

(58) **Field of Classification Search** D34/29,
D34/35; D15/147; 198/624, 643, 300; 193/35 C,
193/35 R, 37; 209/314, 399, 405, 332, 409,
209/319; 100/102

See application file for complete search history.

(56) **References Cited**

U.S. PATENT DOCUMENTS

| | | | | |
|--------------|------|---------|-----------------|---------|
| 2,326,444 | A * | 8/1943 | Dudley | 414/528 |
| 2,395,075 | A * | 2/1946 | Smith | 198/318 |
| 3,570,689 | A * | 3/1971 | Eaton | 414/572 |
| D225,774 | S * | 1/1973 | Hannon | D34/29 |
| D235,477 | S * | 6/1975 | O'Neil et al. | D34/29 |
| D237,105 | S * | 10/1975 | O'Neil et al. | D34/29 |
| D237,540 | S * | 11/1975 | O'Neil et al. | D15/147 |
| D291,618 | S * | 8/1987 | Anderson et al. | D34/29 |
| D375,752 | S * | 11/1996 | Douglas | D15/147 |
| 5,823,733 | A * | 10/1998 | Kruzick | 414/498 |
| 6,808,057 | B1 * | 10/2004 | Nirmal et al. | 198/312 |
| D580,123 | S * | 11/2008 | Ito et al. | D34/29 |
| D589,992 | S * | 4/2009 | Murphy | D15/147 |
| 2010/0051413 | A1 * | 3/2010 | Gausman et al. | 198/300 |

* cited by examiner

Primary Examiner — Cynthia Ramirez

(74) *Attorney, Agent, or Firm* — Reputrust, LLC

(57) **CLAIM**

The ornamental design for a material conveyor, as shown and described.

DESCRIPTION

The present application claims priority to, and hereby incorporates by reference in their entireties, co-pending U.S.

patent applications, which are commonly-assigned to SRC Innovations LLC, include the common inventor Steven Cullen, and were filed on Apr. 1, 2008: U.S. patent application Ser. No. 12/060,424, entitled “Mobile Bagging Machine”; U.S. patent application Ser. No. 12/060,461, entitled, “Mobile Bagging Machine Rotor Assembly and Transmission”; U.S. patent application Ser. No. 12/060,464, entitled “Mobile Bagging Machine Tunnel”; and U.S. patent application Ser. No. 12/060,474, entitled “Movable Feed Table and Radiators”.

FIG. 1 is a front view of a front portion of a material conveyor, with the front portion extended;

FIG. 2 is a rear view of a rear portion of the material conveyor and a rear view of the front portion of the material conveyor, with the front portion extended;

FIG. 3 is a side view of the front portion of the material conveyor, with the front portion extended, and a side view of the rear portion of the material conveyor;

FIG. 4 is a top view of the front portion of the material conveyor, with the front portion extended, and a top view of the rear portion of the material conveyor;

FIG. 5 is a front view of the front portion of the material conveyor, with the front portion retracted, and a front view of the sides of the rear portion of the material conveyor;

FIG. 6 is a rear view of a rear portion of the material conveyor and a rear view of the front portion of the material conveyor, with the front portion retracted;

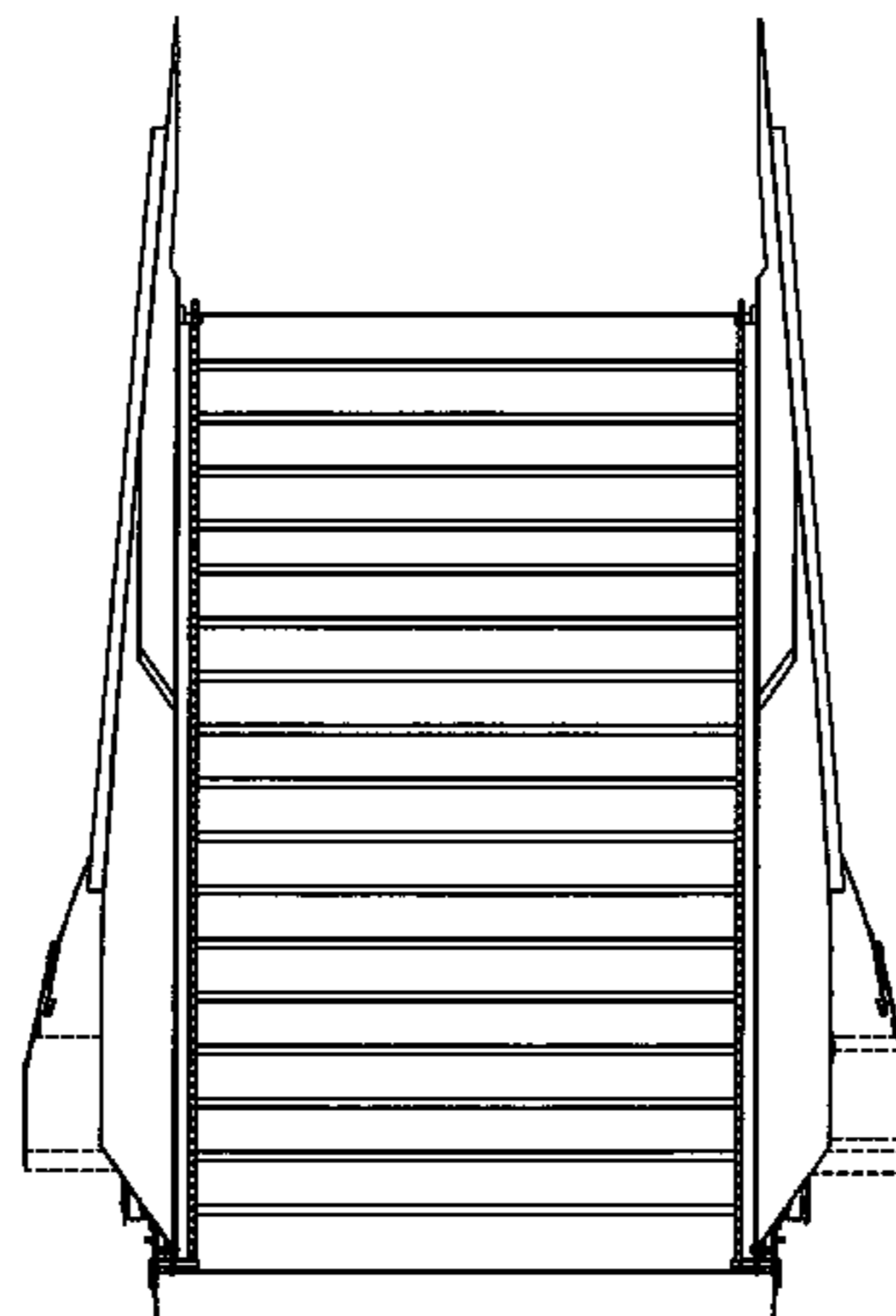
FIG. 7 is a side view of the front portion of the material conveyor, with the front portion retracted, and a side view of the rear portion of the material conveyor; and,

FIG. 8 is a top view of the front portion of the material conveyor, with the front portion retracted, and a top view of the rear portion of the material conveyor.

The broken line showing in the figures is included for purpose of illustrating environment and forms no part of the claimed design.

The claimed invention is used for conveying material from one location to another location.

1 Claim, 8 Drawing Sheets



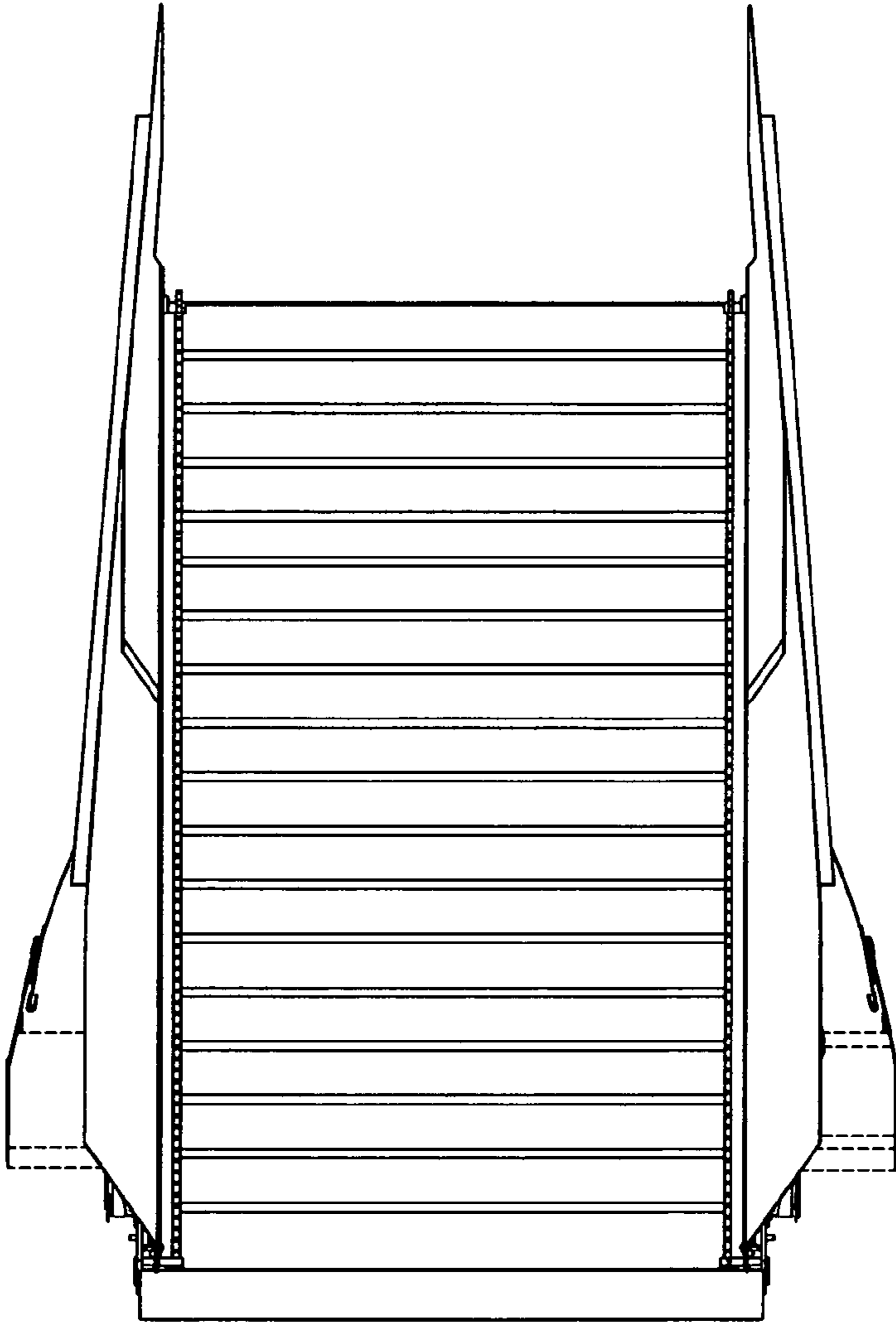


FIG. 1

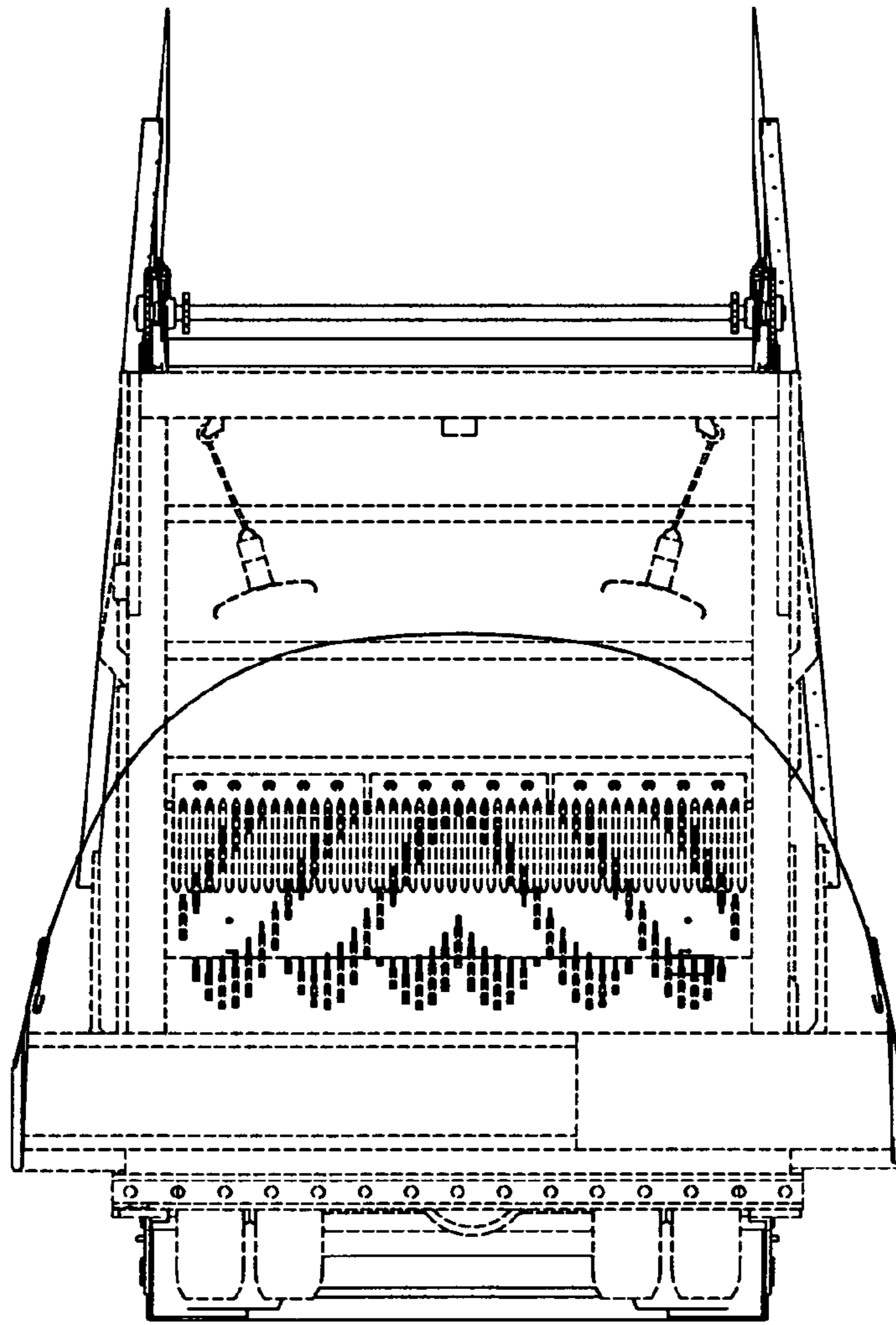


FIG. 2

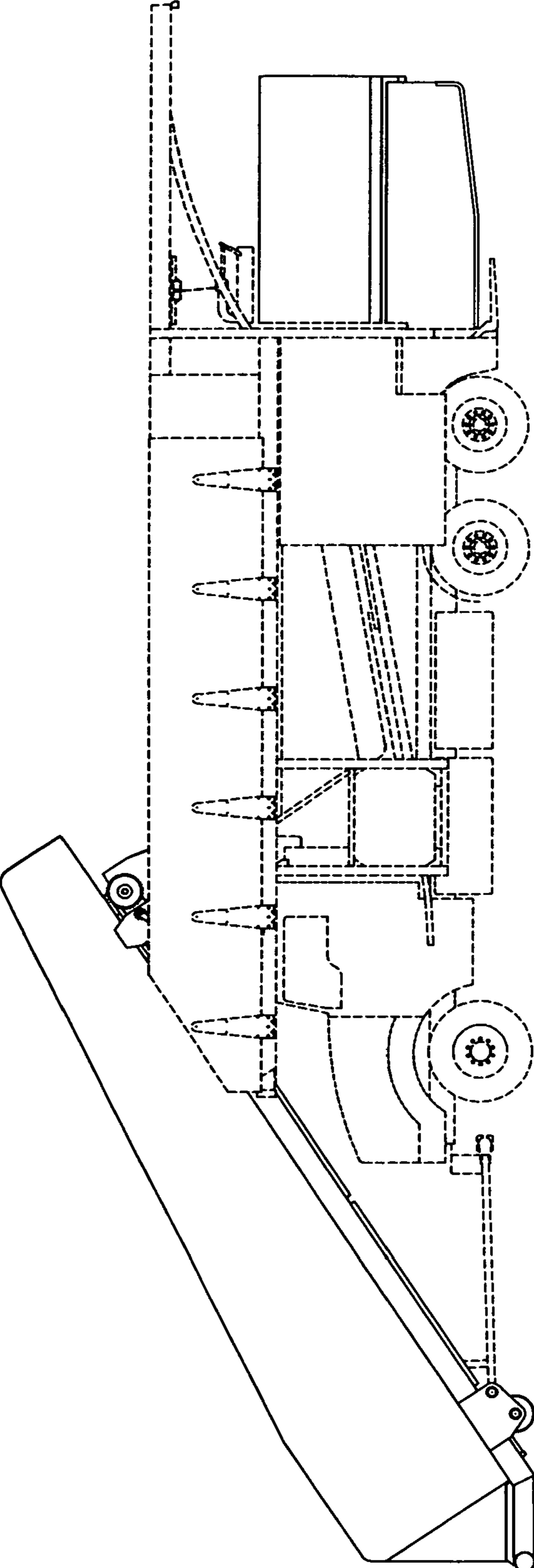


FIG. 3

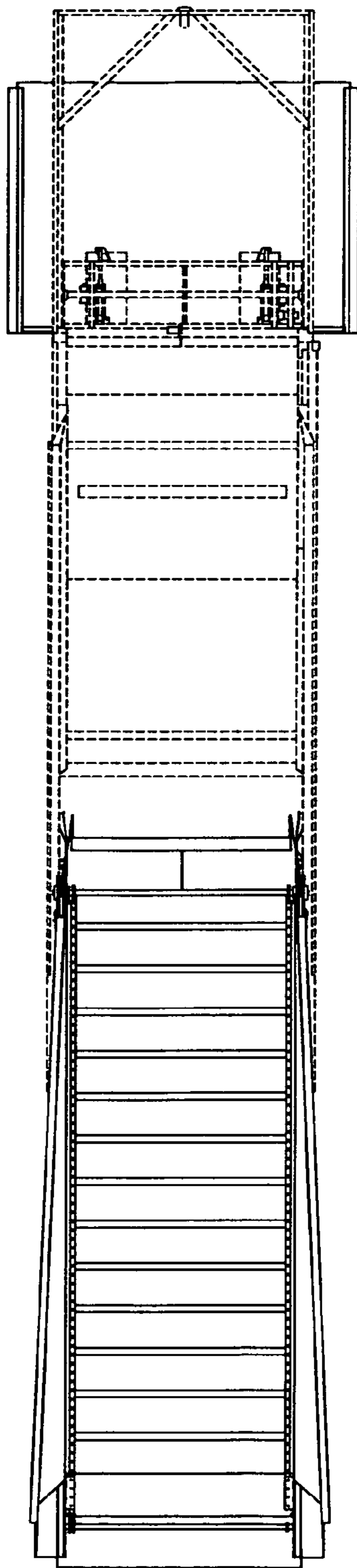


FIG. 4

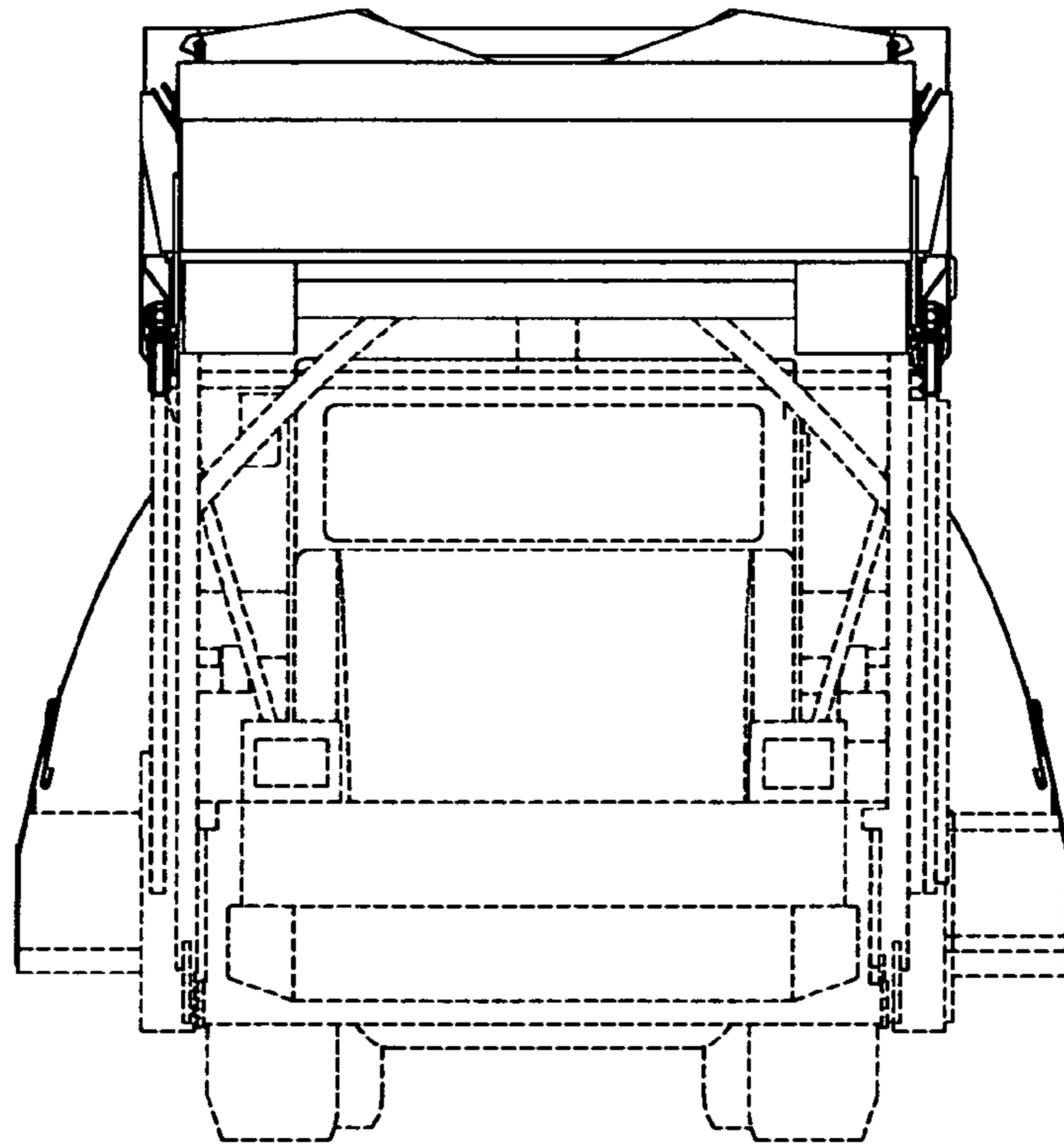


FIG. 5

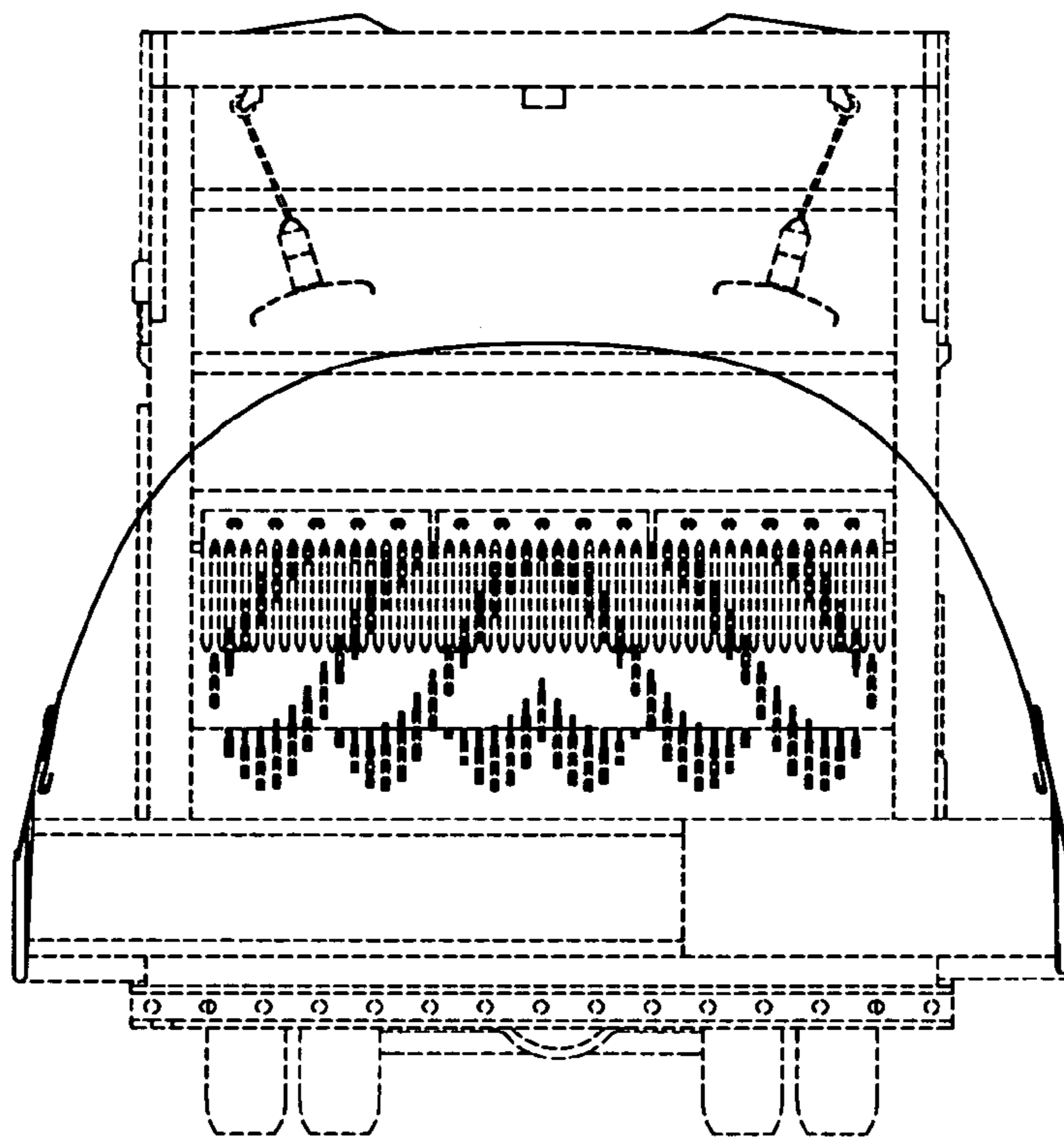


FIG. 6

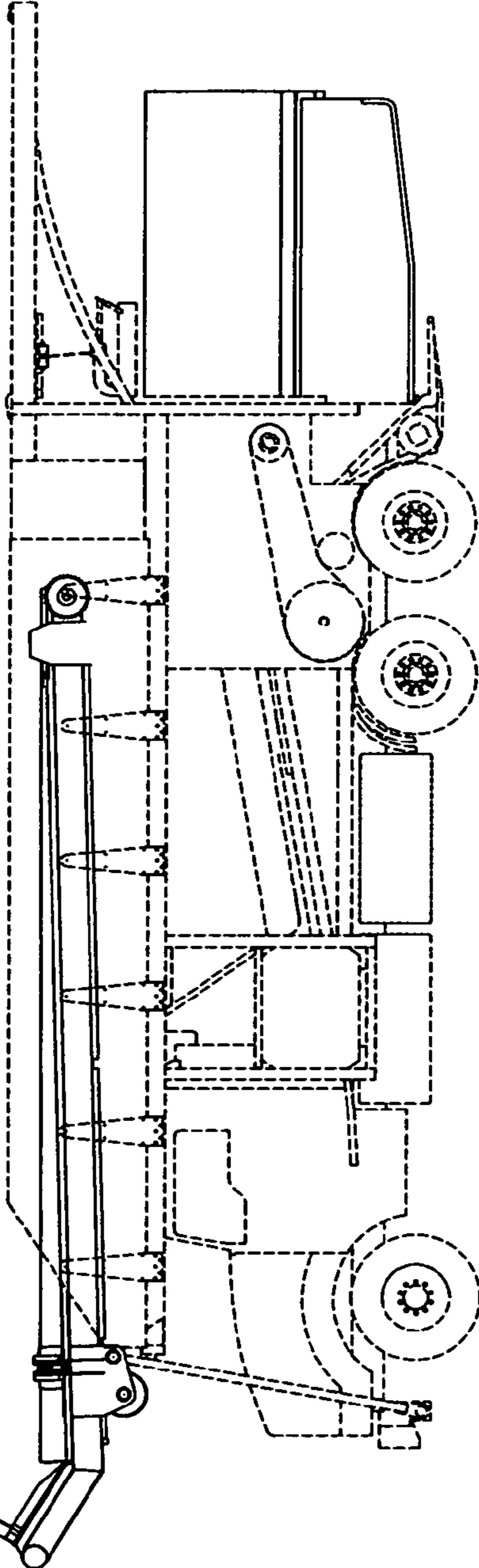


FIG. 7

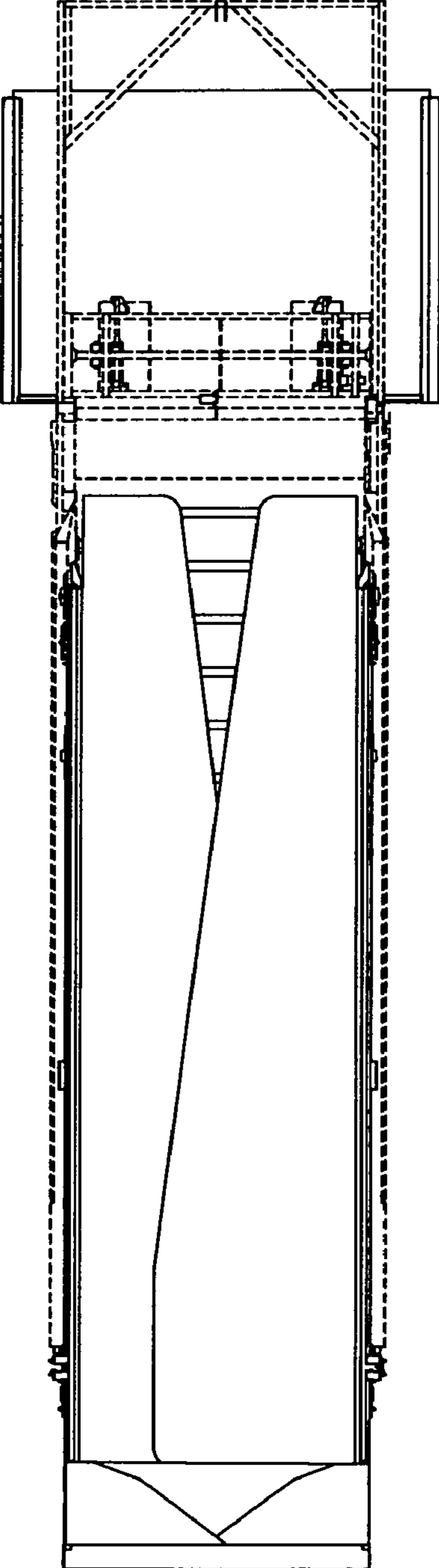


FIG. 8