



US00D640852S

(12) **United States Design Patent**
Warlick et al.

(10) **Patent No.:** **US D640,852 S**

(45) **Date of Patent:** **** Jun. 28, 2011**

(54) **RECYCLING RECEPTACLE**

(76) Inventors: **Steven Warlick**, Springfield, MO (US);
Andrew York, Springfield, MO (US);
Jarod Michel, Springfield, MO (US);
Todd Miller, Springfield, MO (US)

(**) **Term:** **14 Years**

(21) **Appl. No.:** **29/365,226**

(22) **Filed:** **Jul. 6, 2010**

(51) **LOC (9) Cl.** **09-09**

(52) **U.S. Cl.** **D34/4**

(58) **Field of Classification Search** D34/1,
D34/4, 7, 9, 10; D9/518, 903, 772; 220/253,
220/703, 906, 254.1, 269-273; D11/152
See application file for complete search history.

(56) **References Cited**

U.S. PATENT DOCUMENTS

5,199,591	A *	4/1993	Thibeault et al.	220/253
D357,414	S *	4/1995	Kornick et al.	D9/776
D360,340	S *	7/1995	Hitch et al.	D7/604
D366,602	S *	1/1996	Penn et al.	D7/636
5,720,412	A *	2/1998	Ficken	220/703
D393,730	S *	4/1998	Petruzzi	D26/38
D396,916	S *	8/1998	Ochs, Sr.	D34/4
5,975,327	A *	11/1999	Funk	220/269
6,112,932	A *	9/2000	Holdren	220/269
D432,015	S *	10/2000	Holiday	D9/772
D442,995	S *	5/2001	Niiyama	D20/10
6,378,718	B1 *	4/2002	Maggi et al.	220/257.1
D499,651	S *	12/2004	Gong	D9/738

D511,686	S *	11/2005	Yaeger	D9/518
D512,314	S *	12/2005	Cervantes	D9/504
D524,160	S *	7/2006	Endou et al.	D9/518
D549,420	S *	8/2007	Naber	D34/9
D570,228	S *	6/2008	van Dam	D9/772
D594,167	S *	6/2009	Chavez et al.	D34/4
D605,060	S *	12/2009	Reimer	D9/766
D617,969	S *	6/2010	Sung	D34/4
D617,970	S *	6/2010	Warlick et al.	D34/4
2004/0159662	A1 *	8/2004	Johnson et al.	220/269
2006/0243728	A1 *	11/2006	Roger	220/23.9
2010/0000997	A1 *	1/2010	Southers	220/269
2010/0012658	A1 *	1/2010	Karangelen	220/500

* cited by examiner

Primary Examiner — Cynthia E Ramirez

(74) *Attorney, Agent, or Firm* — Lathrop & Gage LLP

(57) **CLAIM**

The ornamental design for a recycling receptacle, as shown and described.

DESCRIPTION

FIG. 1 is a perspective view of one embodiment of the recycling receptacle with the broken lines showing environmental association matter for illustrative purposes only and forming no part of the claimed design;

FIG. 2 is a top plan view thereof;

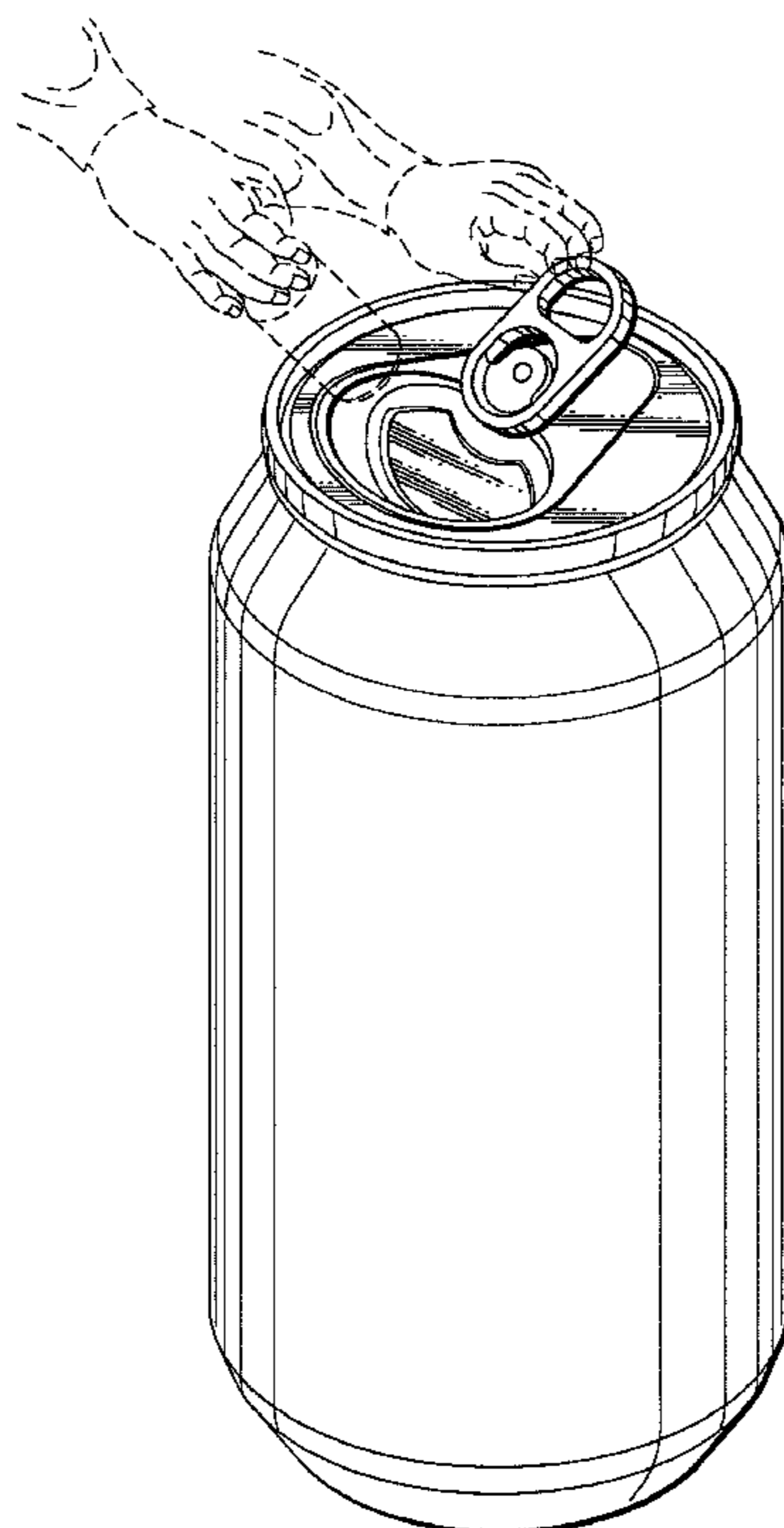
FIG. 3 is a side elevation view thereof;

FIG. 4 is a second side elevation view thereof;

FIG. 5 is another side elevation view showing that the sides of the invention are contiguous and uniform; and,

FIG. 6 is a bottom plan view.

1 Claim, 3 Drawing Sheets



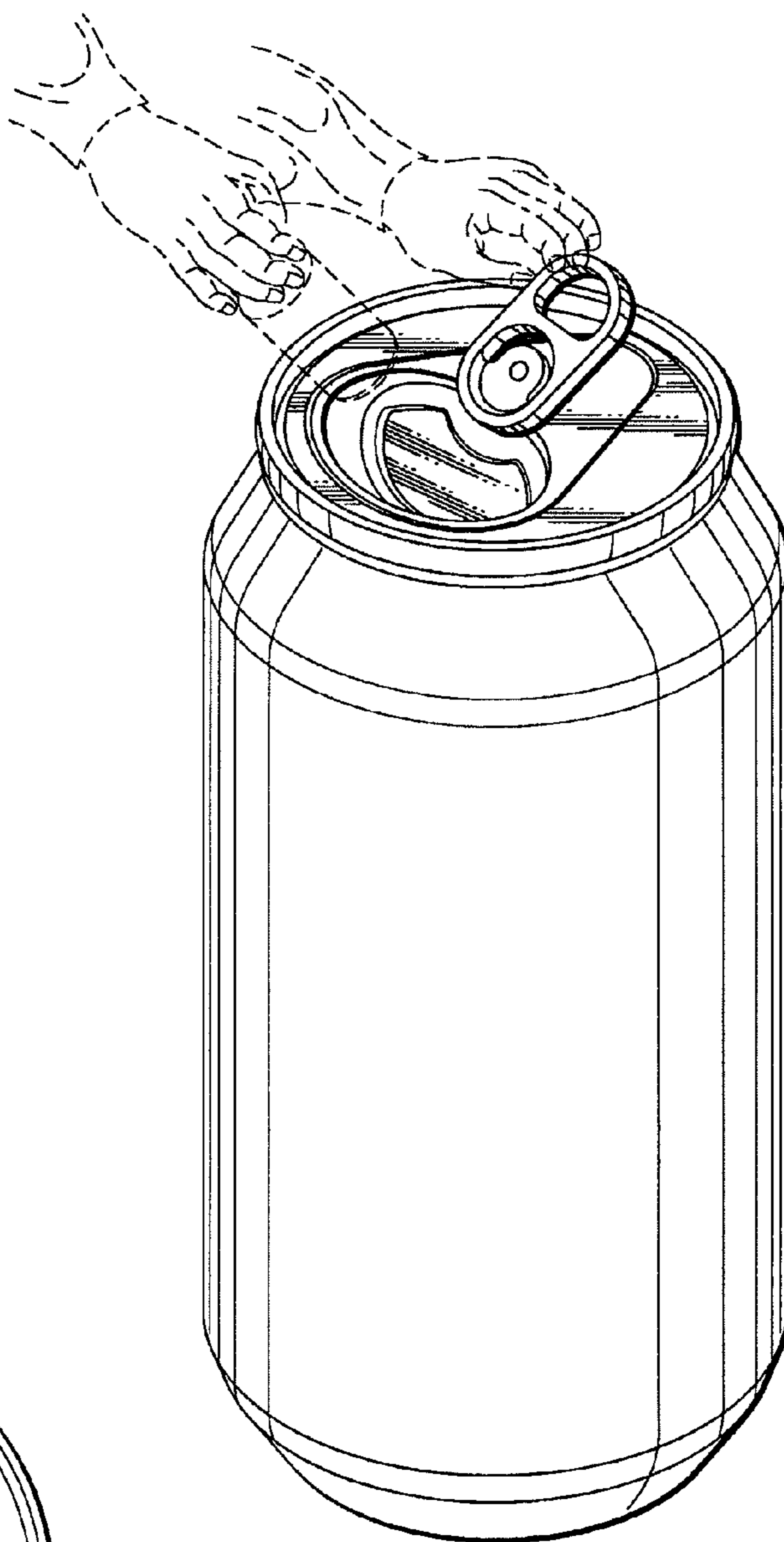


FIG. 1

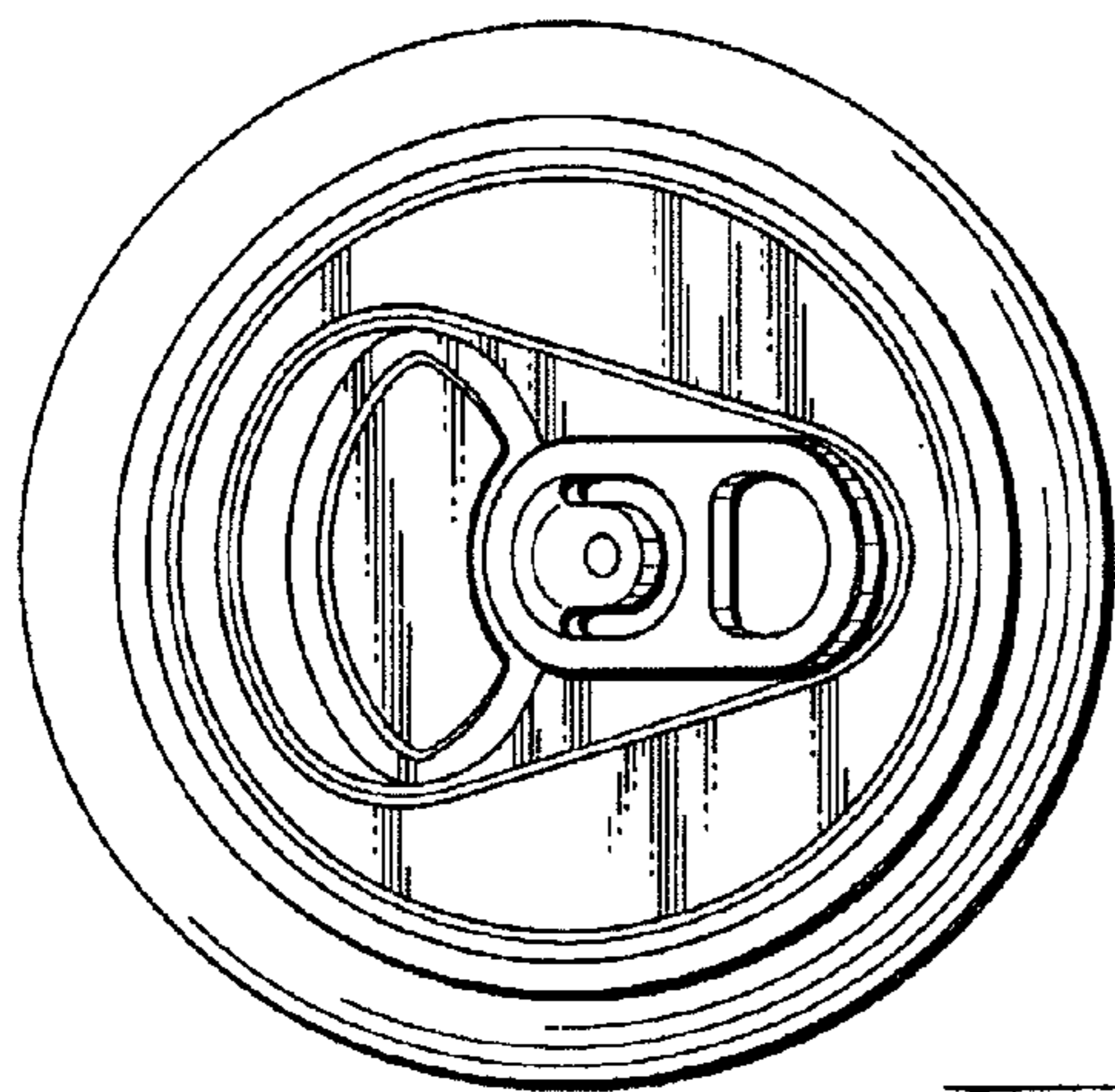


FIG. 2

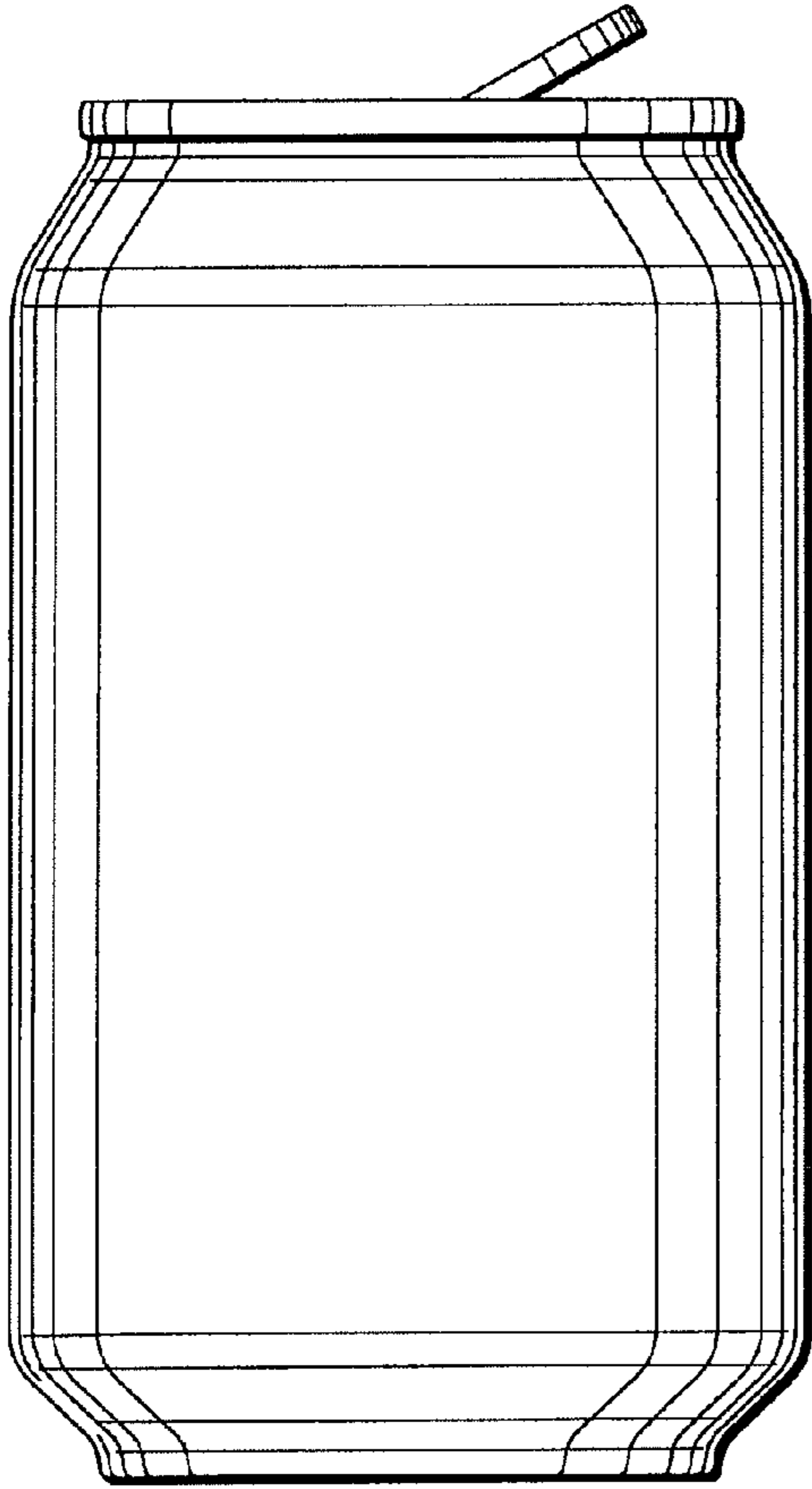


FIG. 3

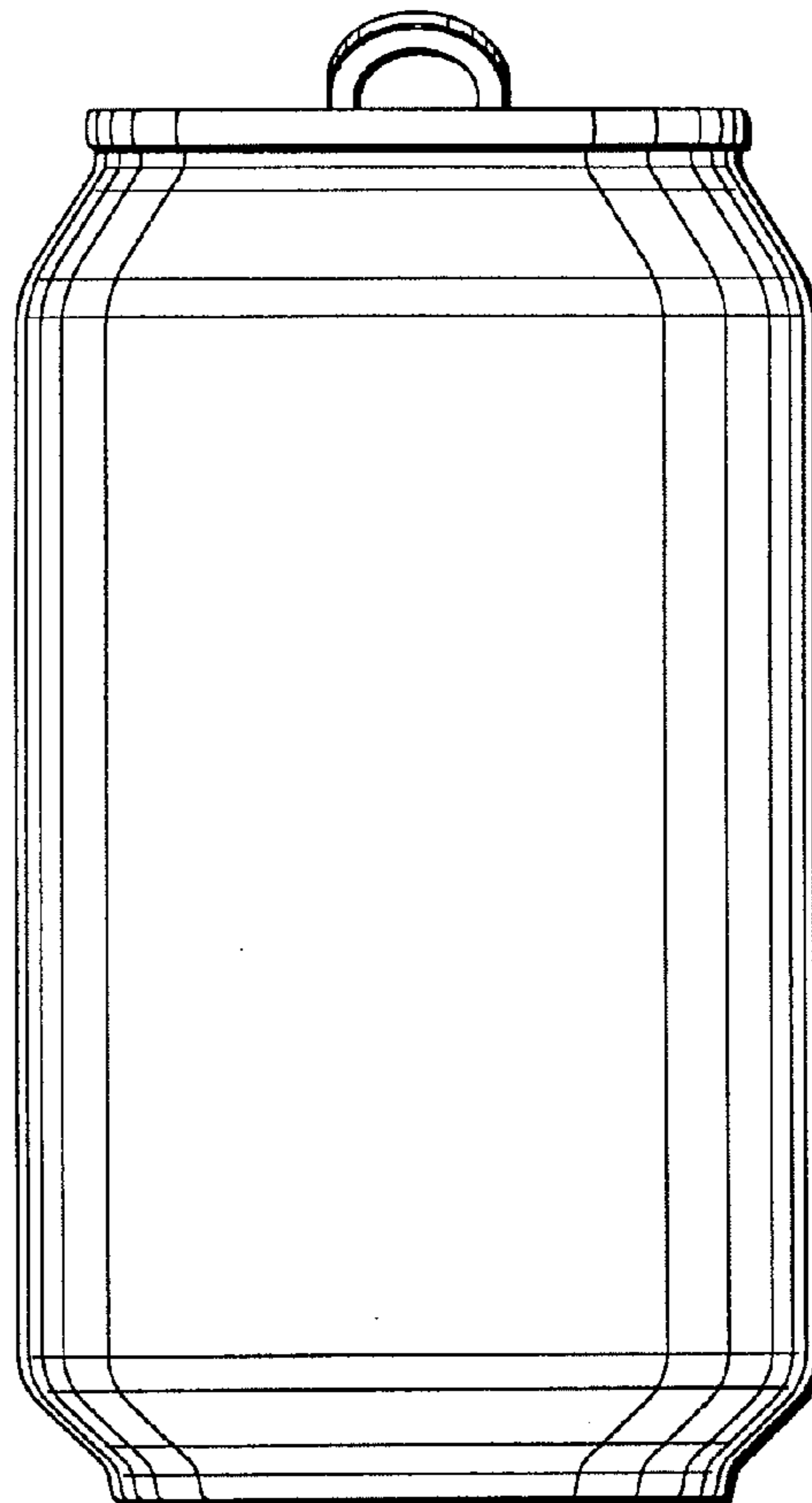


FIG. 4

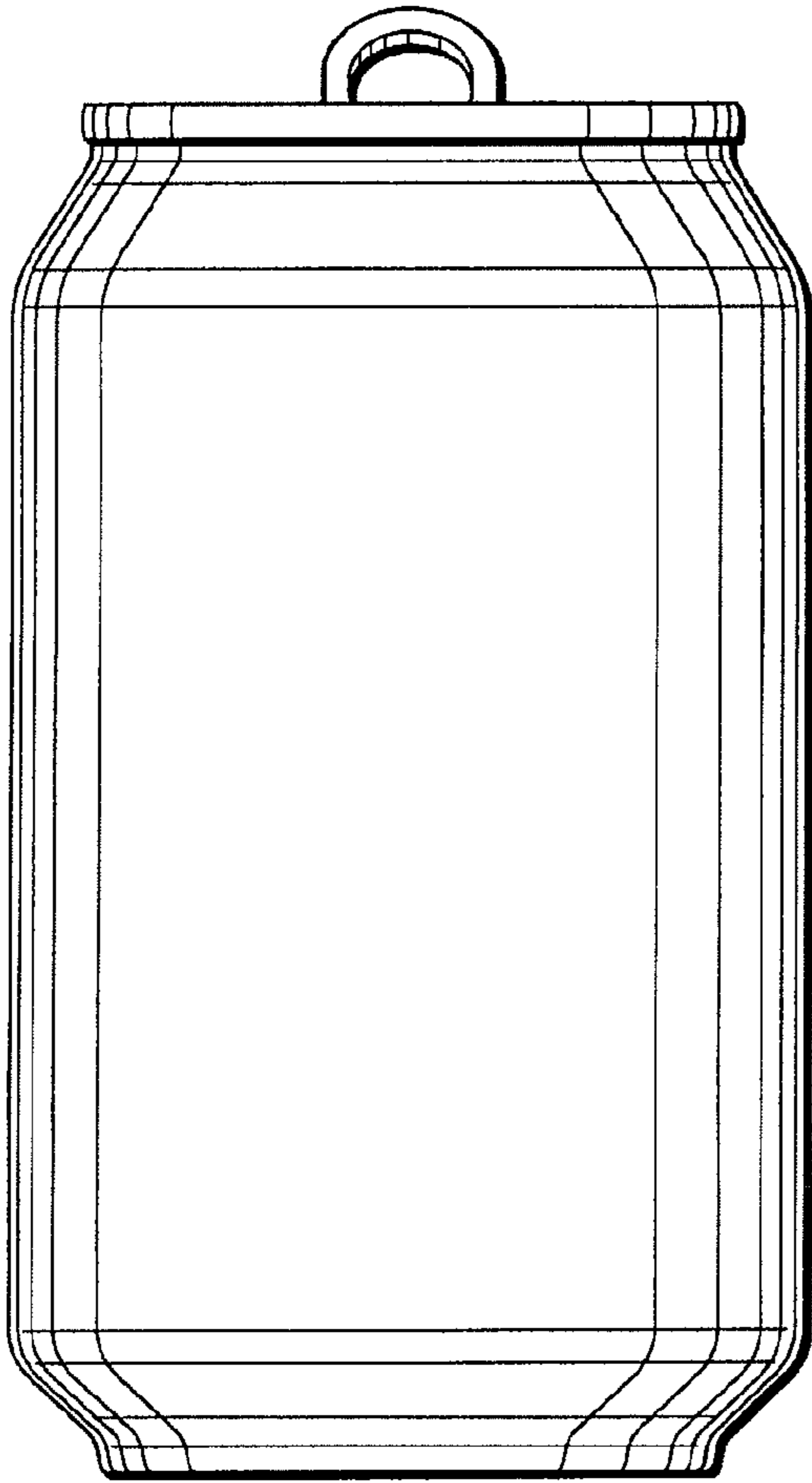


FIG. 5

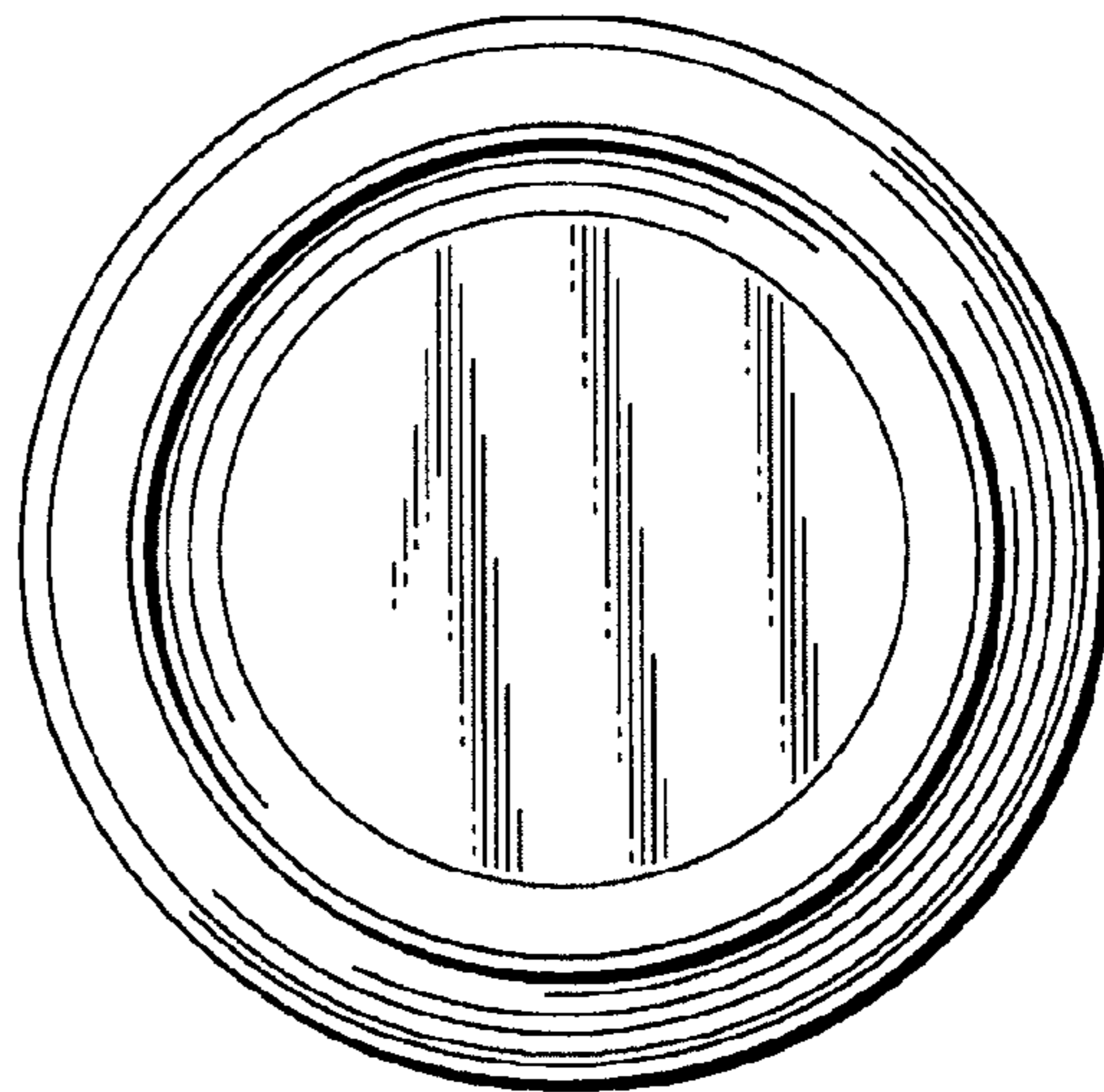


FIG. 6