



US00D640849S

(12) **United States Design Patent**
Gottschall et al.

(10) **Patent No.:** **US D640,849 S**
(45) **Date of Patent:** **** Jun. 28, 2011**

(54) **VACUUM CLEANER**

(75) Inventors: **Jason S. Gottschall**, South Williamsport, PA (US); **Robert L. Crevling, Jr.**, Cogan Station, PA (US); **John Griffin**, Phoenix, AZ (US)

(73) Assignee: **Shop Vac Corporation**, Williamsport, PA (US)

(**) Term: **14 Years**

(21) Appl. No.: **29/343,793**

(22) Filed: **Sep. 18, 2009**

(51) **LOC (9) Cl.** **15-05**

(52) **U.S. Cl.** **D32/31**

(58) **Field of Classification Search** D32/21, D32/23-24, 31; 15/327.1, 327.2, 327.6, 15/327.7, 344, 353, 320-321; 55/DIG. 3
See application file for complete search history.

(56) **References Cited**

U.S. PATENT DOCUMENTS

| | | | |
|--------------|---------|----------------|--------|
| D439,710 S | 3/2001 | Griffin | |
| D444,276 S | 6/2001 | Griffin | |
| D447,844 S | 9/2001 | Griffin | |
| D460,230 S | 7/2002 | Griffin | |
| D466,659 S | 12/2002 | Griffin | |
| D479,371 S * | 9/2003 | Griffin et al. | D32/23 |
| D527,504 S * | 8/2006 | Griffin et al. | D32/21 |

| | | | |
|--------------|--------|------------------|--------|
| D587,414 S * | 2/2009 | Griffin et al. | D32/31 |
| D588,761 S * | 3/2009 | Griffin | D32/31 |
| D591,467 S * | 4/2009 | Griffin et al. | D32/23 |
| D599,968 S * | 9/2009 | Crevling et al. | D32/23 |
| D615,718 S * | 5/2010 | Crevling et al. | D32/23 |
| D623,812 S * | 9/2010 | Seasholtz et al. | D32/31 |
| D623,813 S * | 9/2010 | Seasholtz et al. | D32/31 |

* cited by examiner

Primary Examiner — Ruth McInroy

(74) *Attorney, Agent, or Firm* — Marshall, Gerstein & Borun LLP; Robert M. Gerstein; Richard M. LaBarge

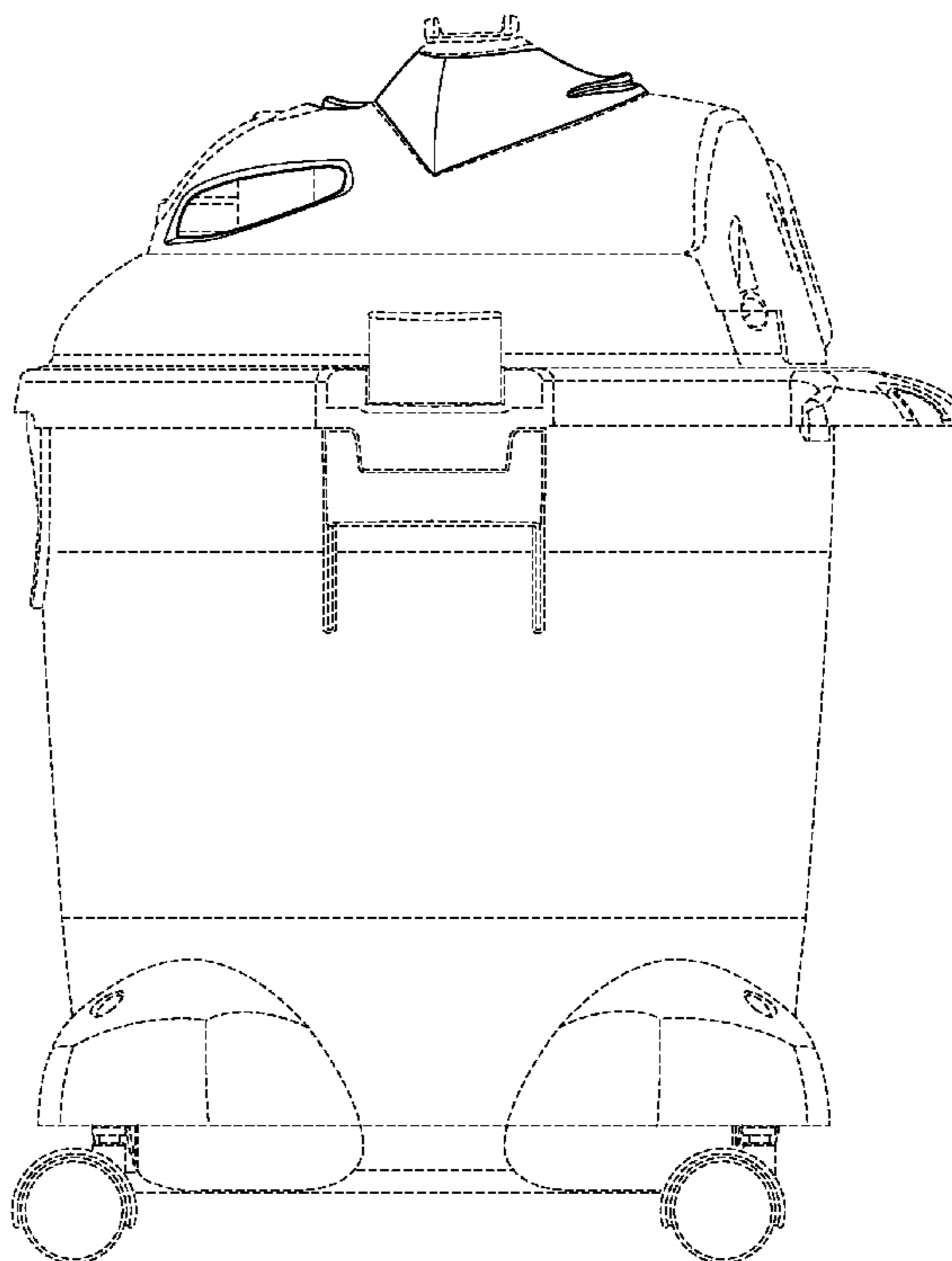
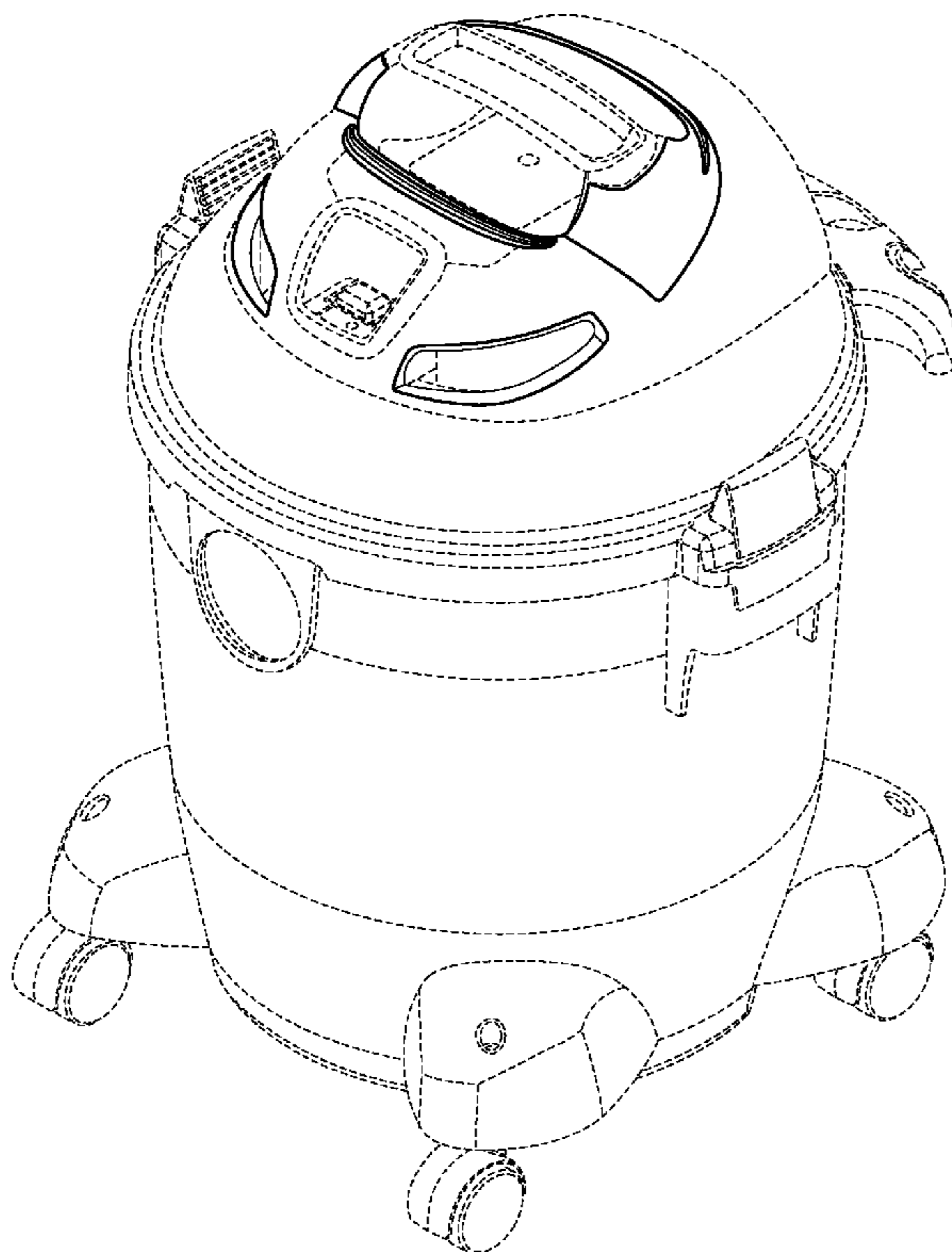
(57) **CLAIM**

The ornamental design for a vacuum cleaner, as shown and described.

DESCRIPTION

FIG. 1 is a top, front and left side perspective view of a vacuum cleaner showing our new design; FIG. 2 is a front elevation view thereof; FIG. 3 is a left side elevation view thereof; FIG. 4 is a rear elevation view thereof; FIG. 5 is a right side elevation view thereof; and, FIG. 6 is a top plan view thereof. The details shown in broken lines form no part of the claimed design.

1 Claim, 6 Drawing Sheets



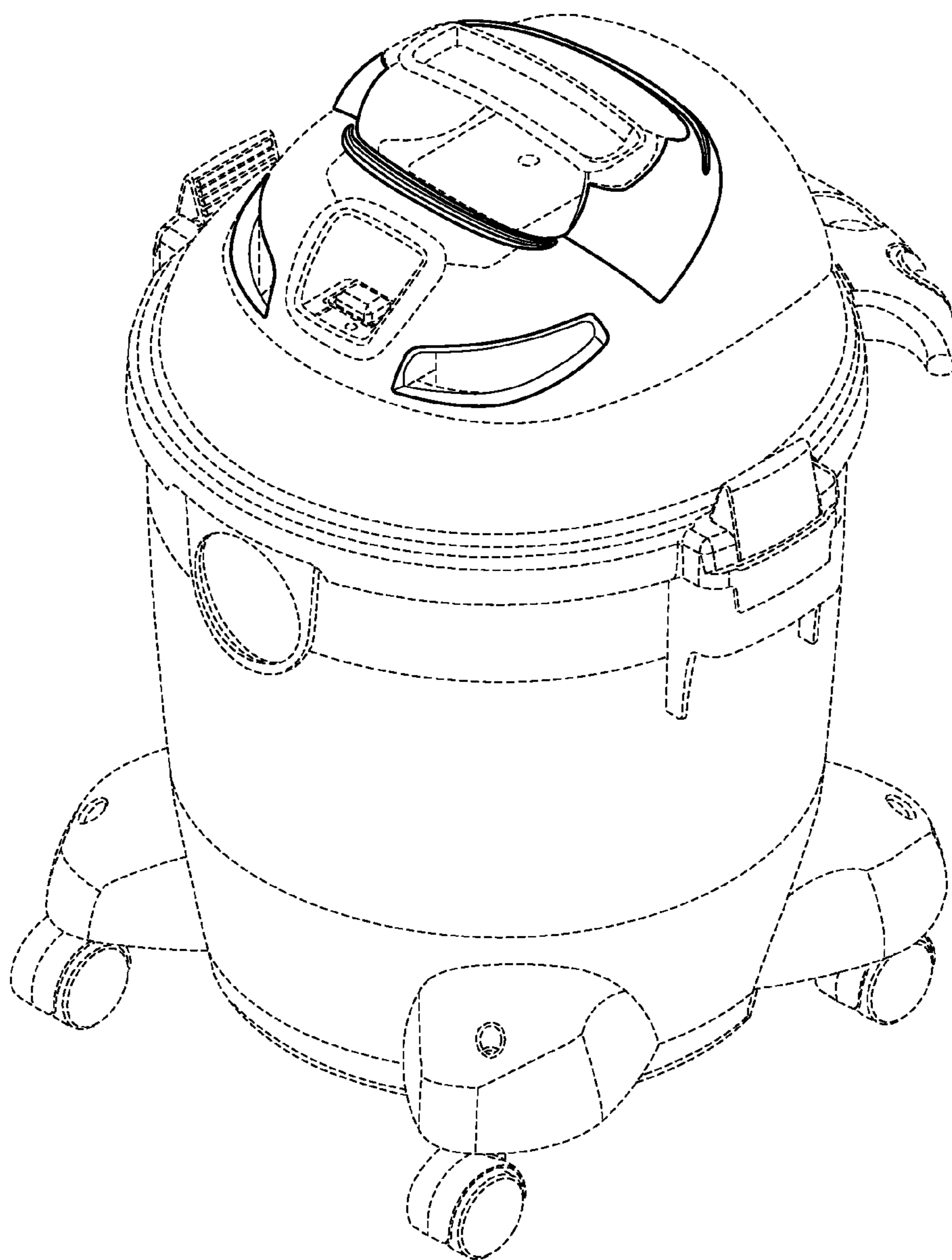


FIG. 1

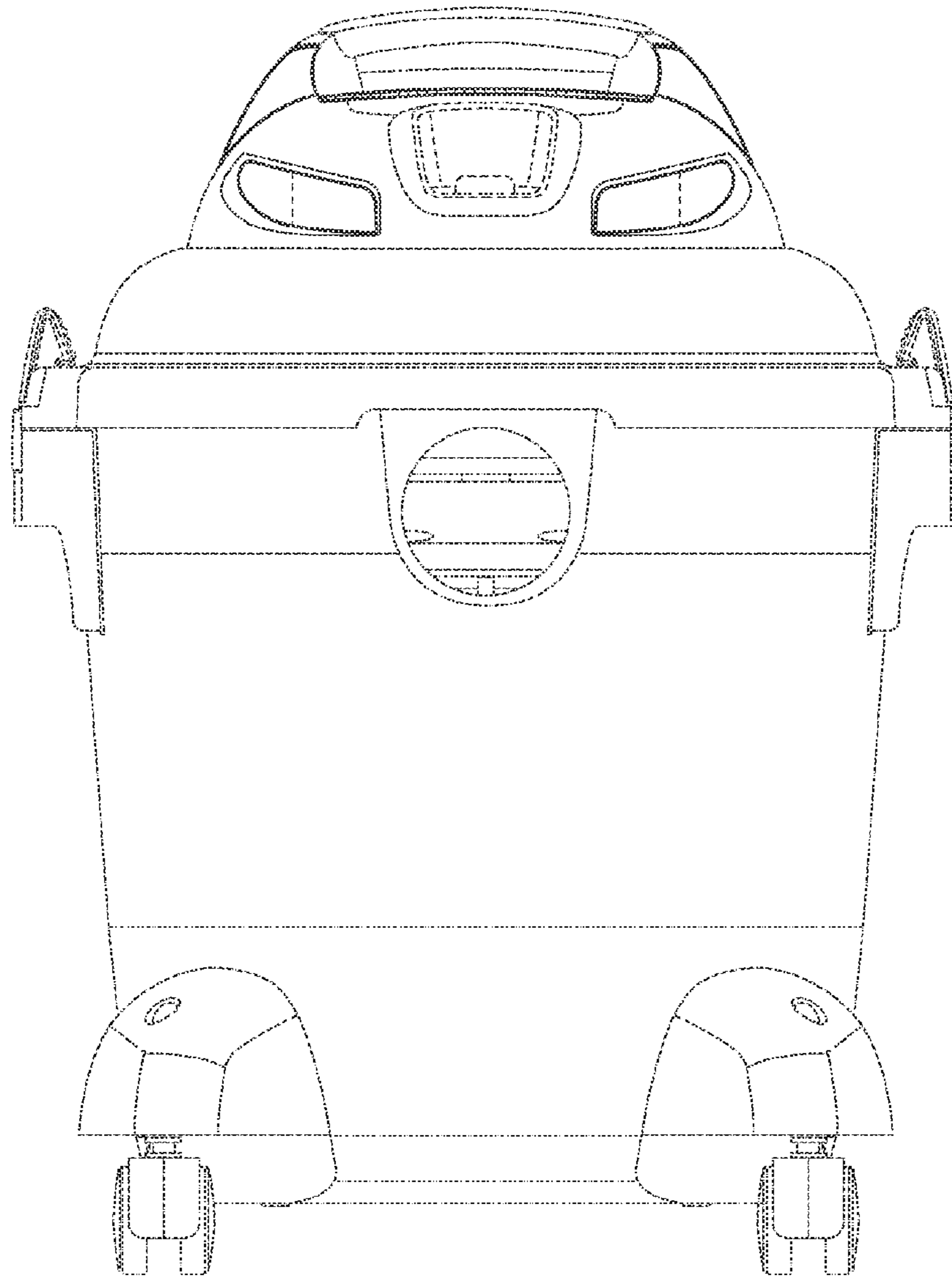


FIG. 2

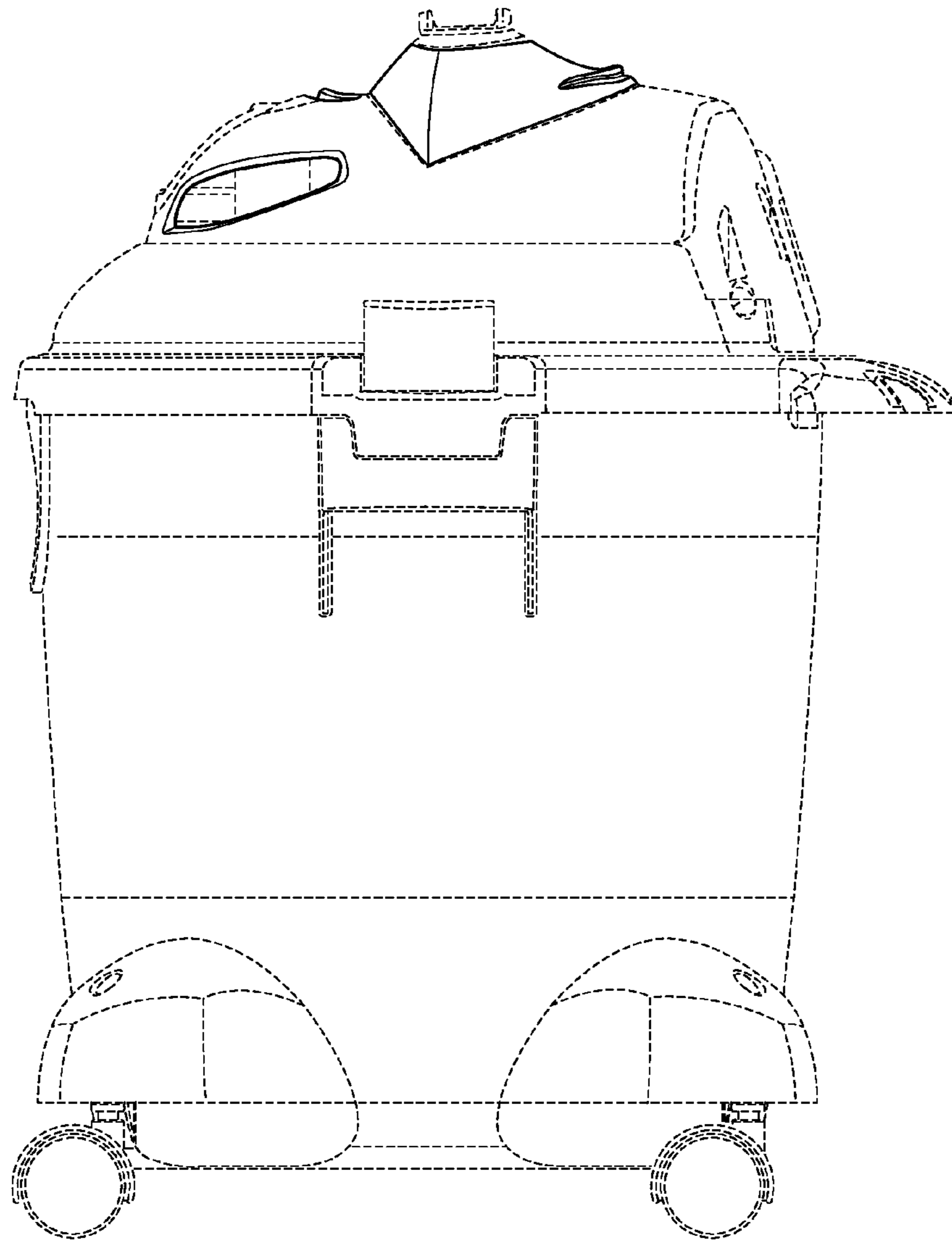


FIG. 3

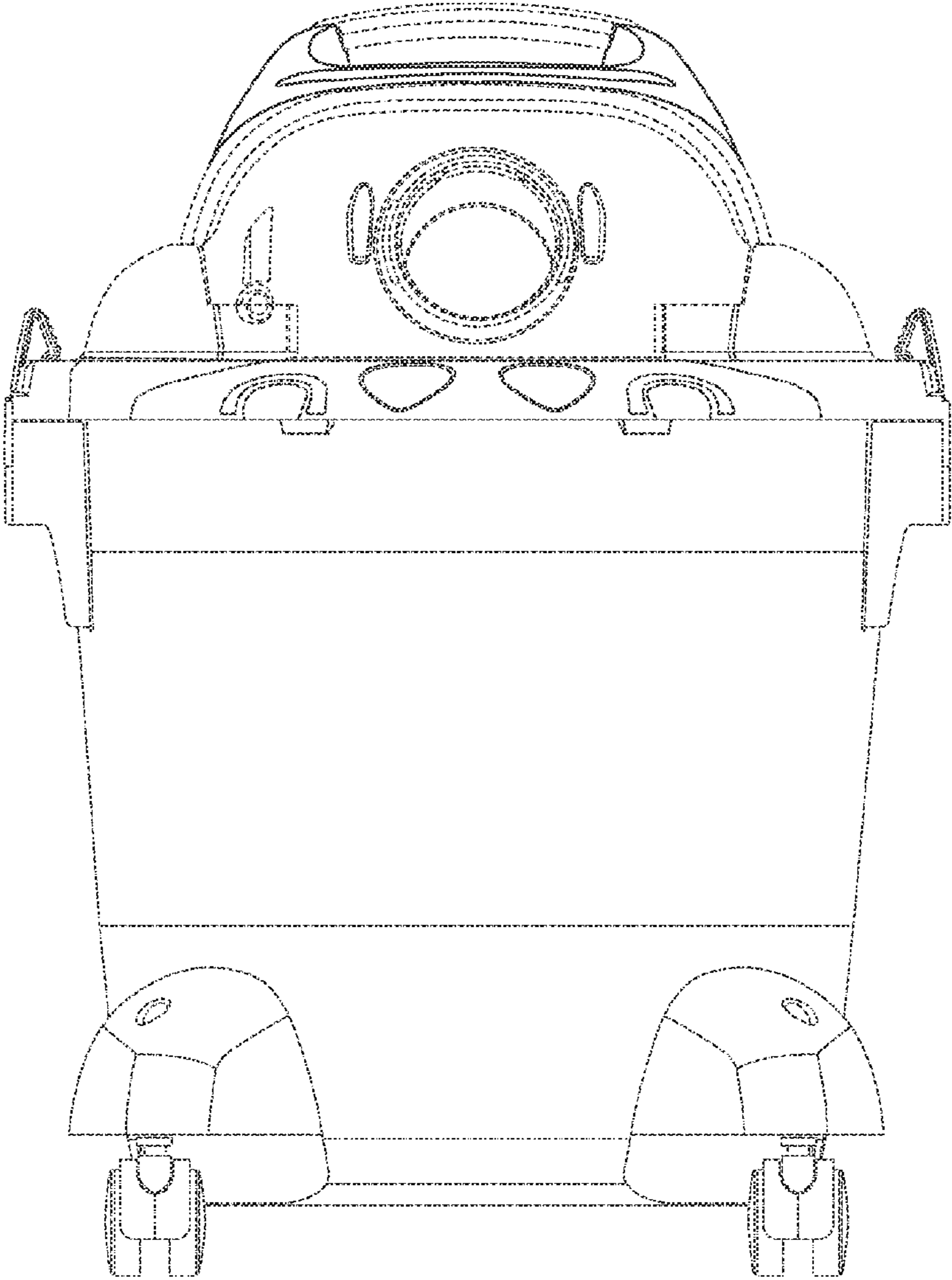


FIG. 4

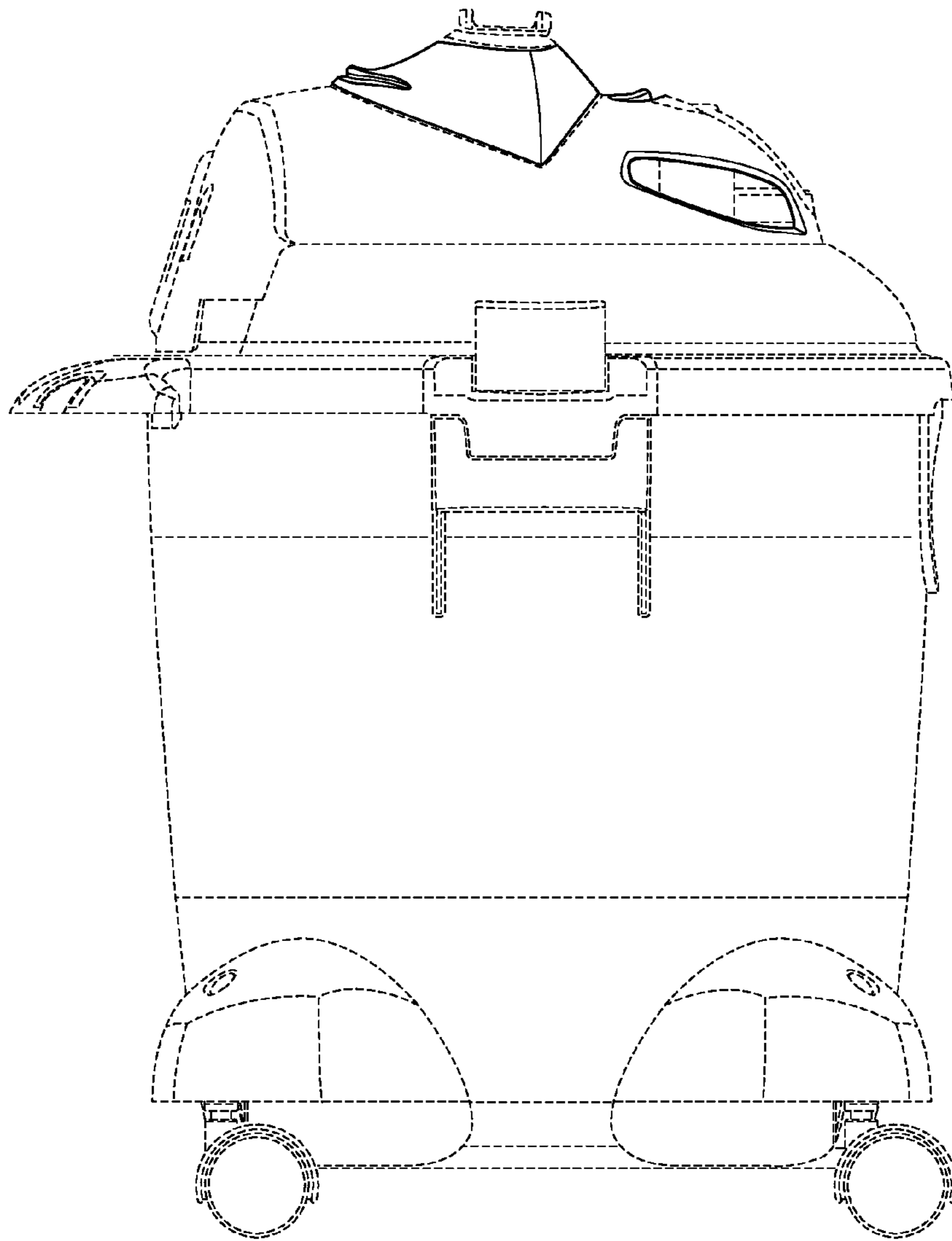


FIG. 5

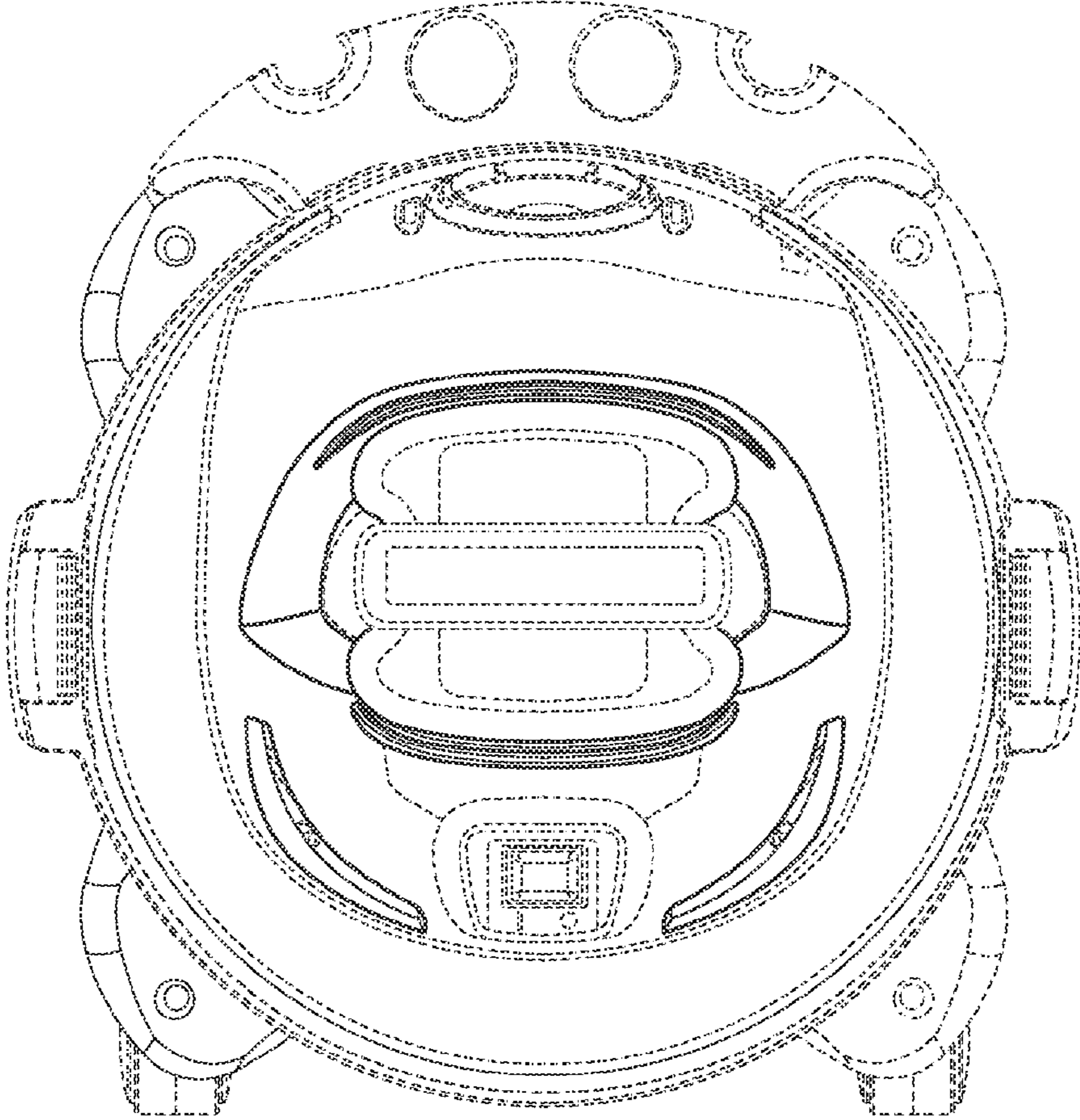


FIG. 6