



US00D640847S

(12) **United States Design Patent**
Houghton

(10) **Patent No.:** **US D640,847 S**

(45) **Date of Patent:** **** Jun. 28, 2011**

(54) **HAND-HELD VACUUM CLEANER**

(75) Inventor: **Stephen Houghton**, Newcastle Upon Tyne (GB)

(73) Assignee: **Black & Decker, Inc.**, Newark, DE (US)

(**) Term: **14 Years**

(21) Appl. No.: **29/353,611**

(22) Filed: **Jan. 12, 2010**

(30) **Foreign Application Priority Data**

Jul. 13, 2009 (EP) 001151690

(51) **LOC (9) Cl.** **15-05**

(52) **U.S. Cl.** **D32/18**

(58) **Field of Classification Search** D32/17-18,
D32/31-33; 15/344, 329, 338, 335, 414,
15/415.1, 418-422, 409, 300.1, 322, 320
See application file for complete search history.

(56) **References Cited**

U.S. PATENT DOCUMENTS

D528,253	S *	9/2006	Wu et al.	D32/18
D552,309	S *	10/2007	Houghton	D32/18
D569,061	S *	5/2008	Nardone	D32/18
7,370,387	B2 *	5/2008	Walker et al.	15/344
7,513,009	B1 *	4/2009	Strawn	15/344

D595,017	S *	6/2009	Baxter et al.	D32/18
D608,961	S *	1/2010	Reese et al.	D32/18
2010/0229328	A1 *	9/2010	Conrad	15/344

* cited by examiner

Primary Examiner — Ruth McInroy

(74) *Attorney, Agent, or Firm* — John Yun; Bruce S. Shapiro; Stephen Valancius

(57) **CLAIM**

The ornamental design for a hand-held vacuum cleaner, as shown and described.

DESCRIPTION

FIG. 1 is a perspective view of a hand-held vacuum cleaner showing my new design;

FIG. 2 is a left side view thereof;

FIG. 3 is a right side view thereof;

FIG. 4 is a front view thereof;

FIG. 5 is a rear view thereof;

FIG. 6 is a top plan view thereof;

FIG. 7 is a bottom plan view thereof;

FIG. 8 is a perspective view thereof with the nose in an extended position;

FIG. 9 is a left side view of FIG. 8;

FIG. 10 is a right side view of FIG. 8;

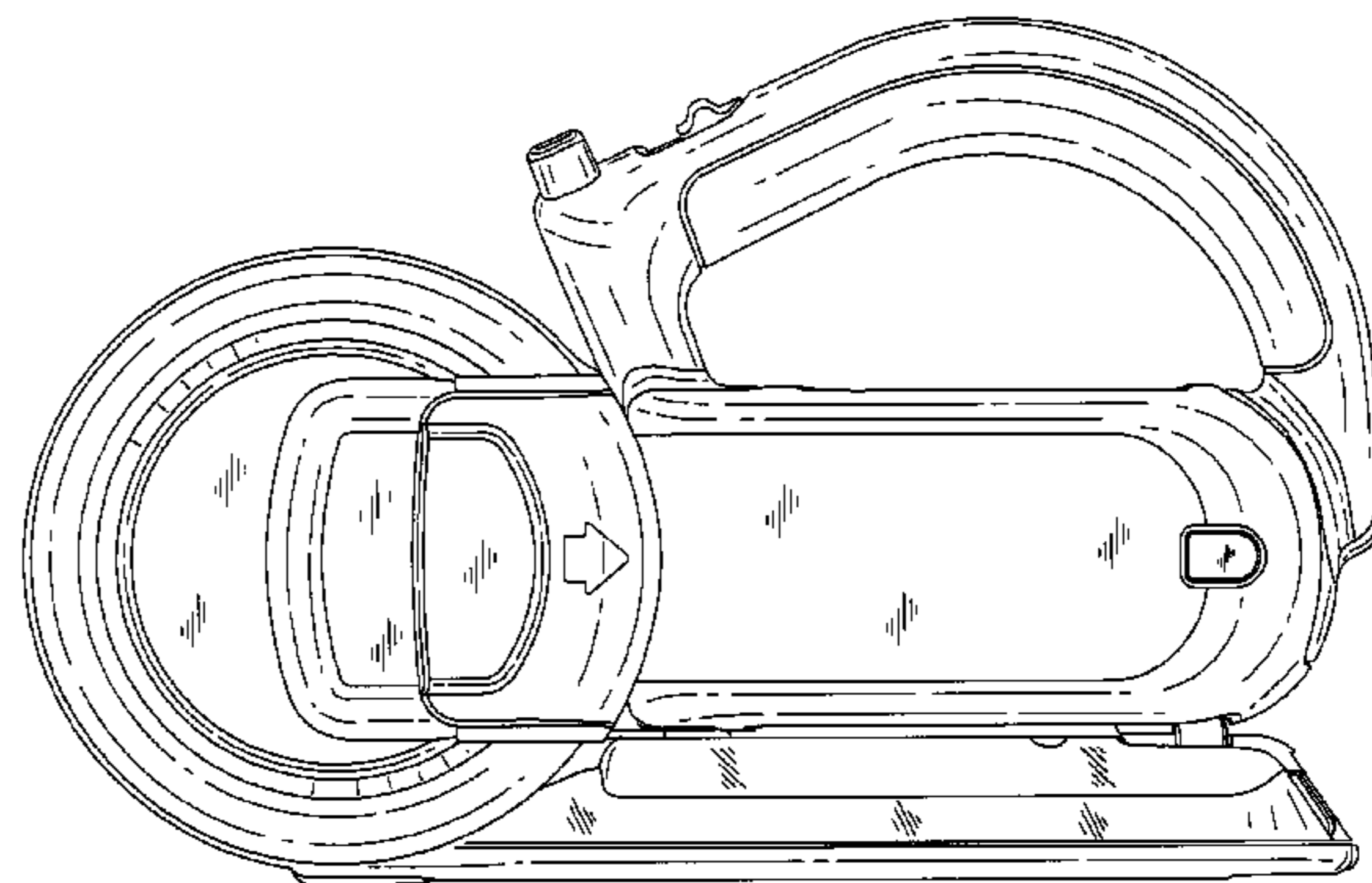
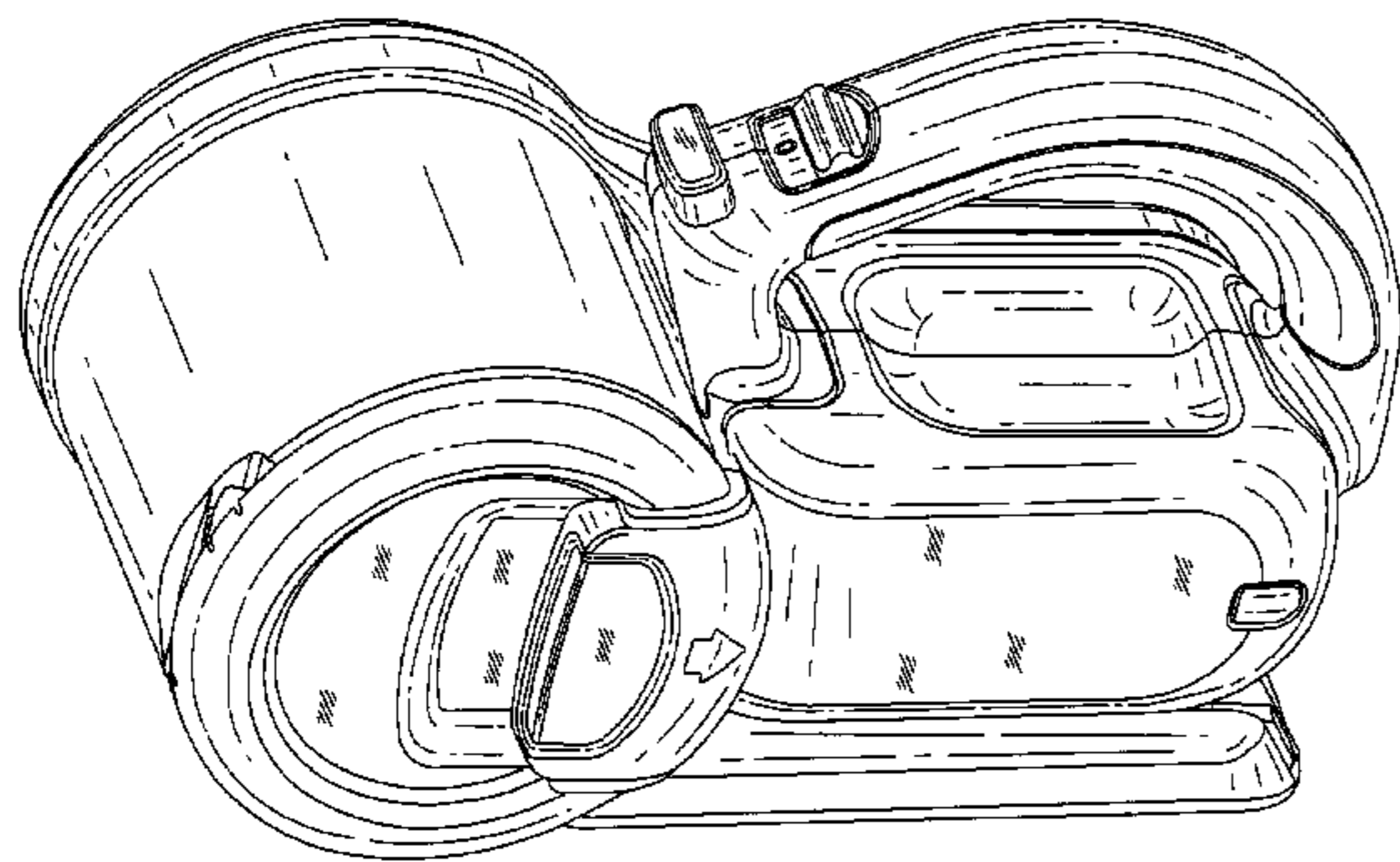
FIG. 11 is a front view of FIG. 8;

FIG. 12 is a rear view of FIG. 8;

FIG. 13 is a top plan view of FIG. 8; and,

FIG. 14 is a bottom plan view of FIG. 8.

1 Claim, 13 Drawing Sheets



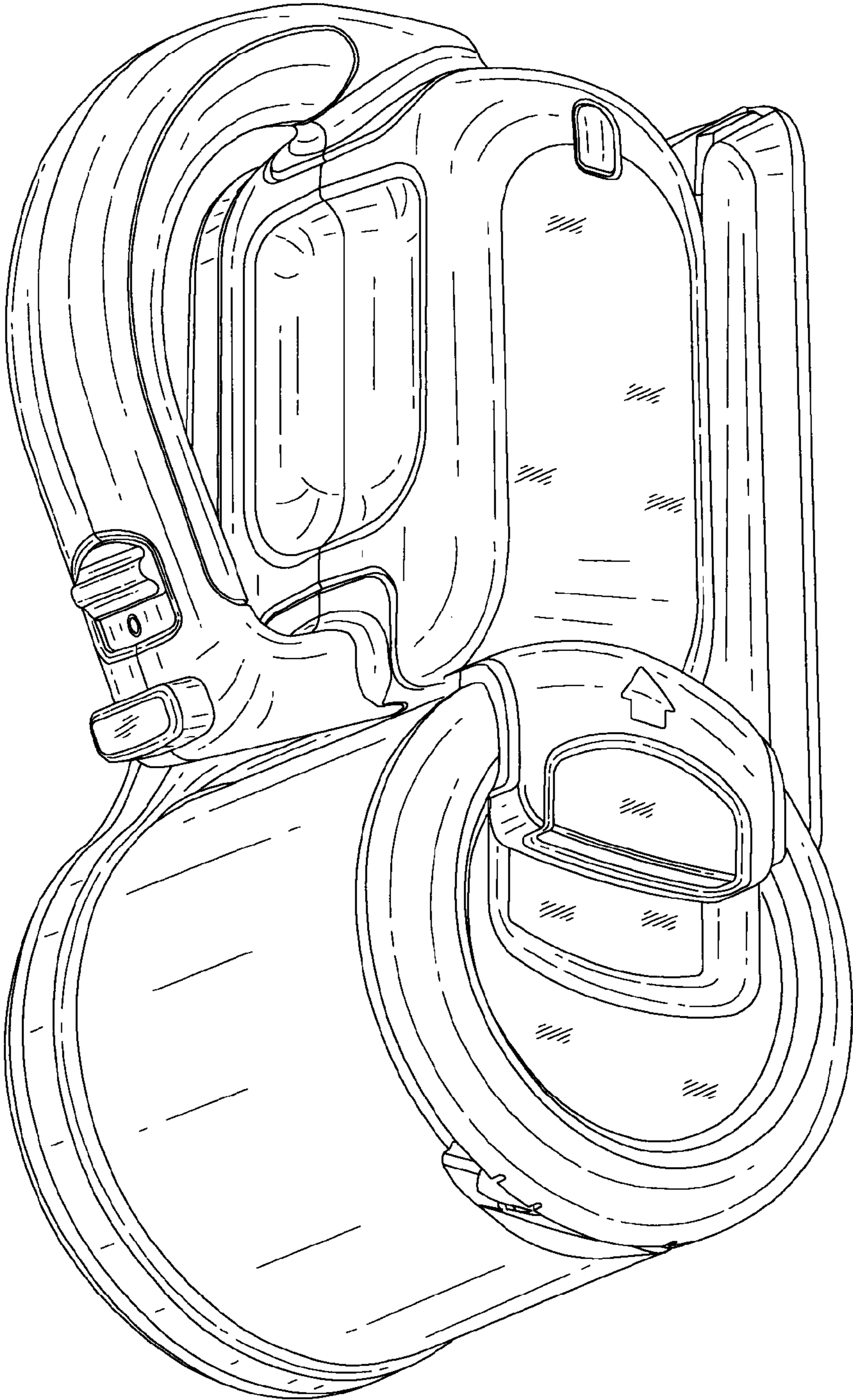


FIG.1

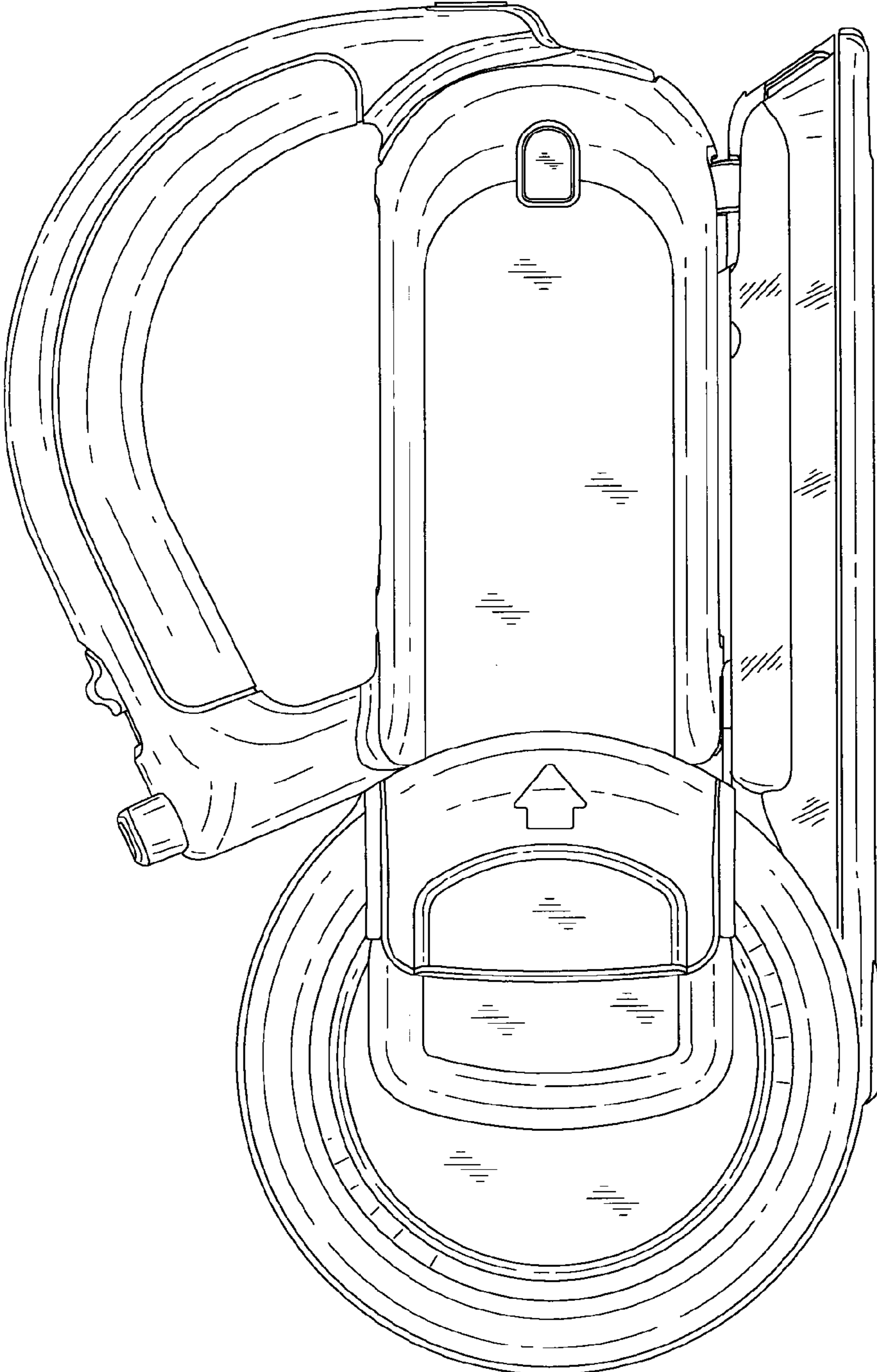


FIG.2

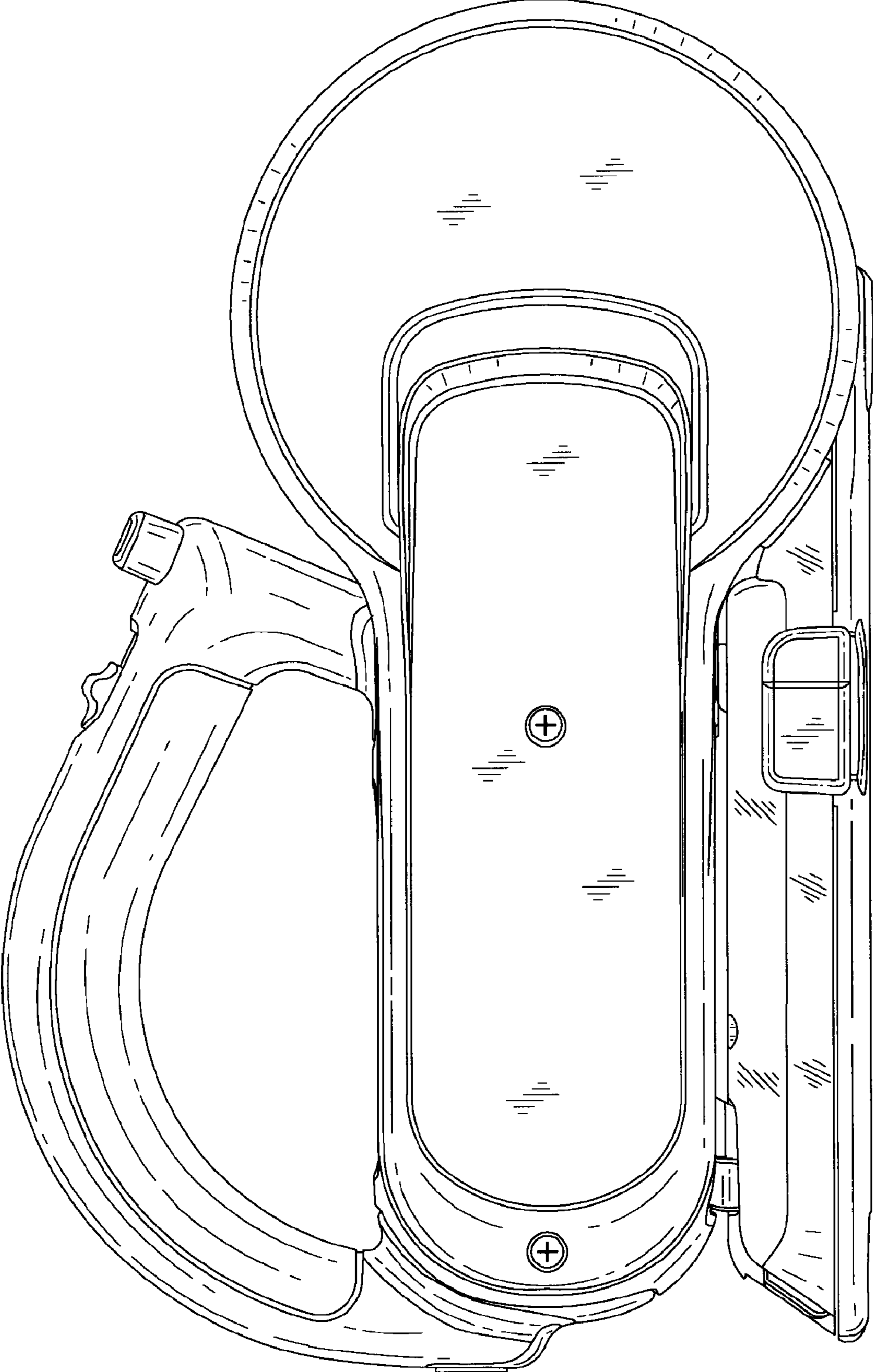


FIG.3

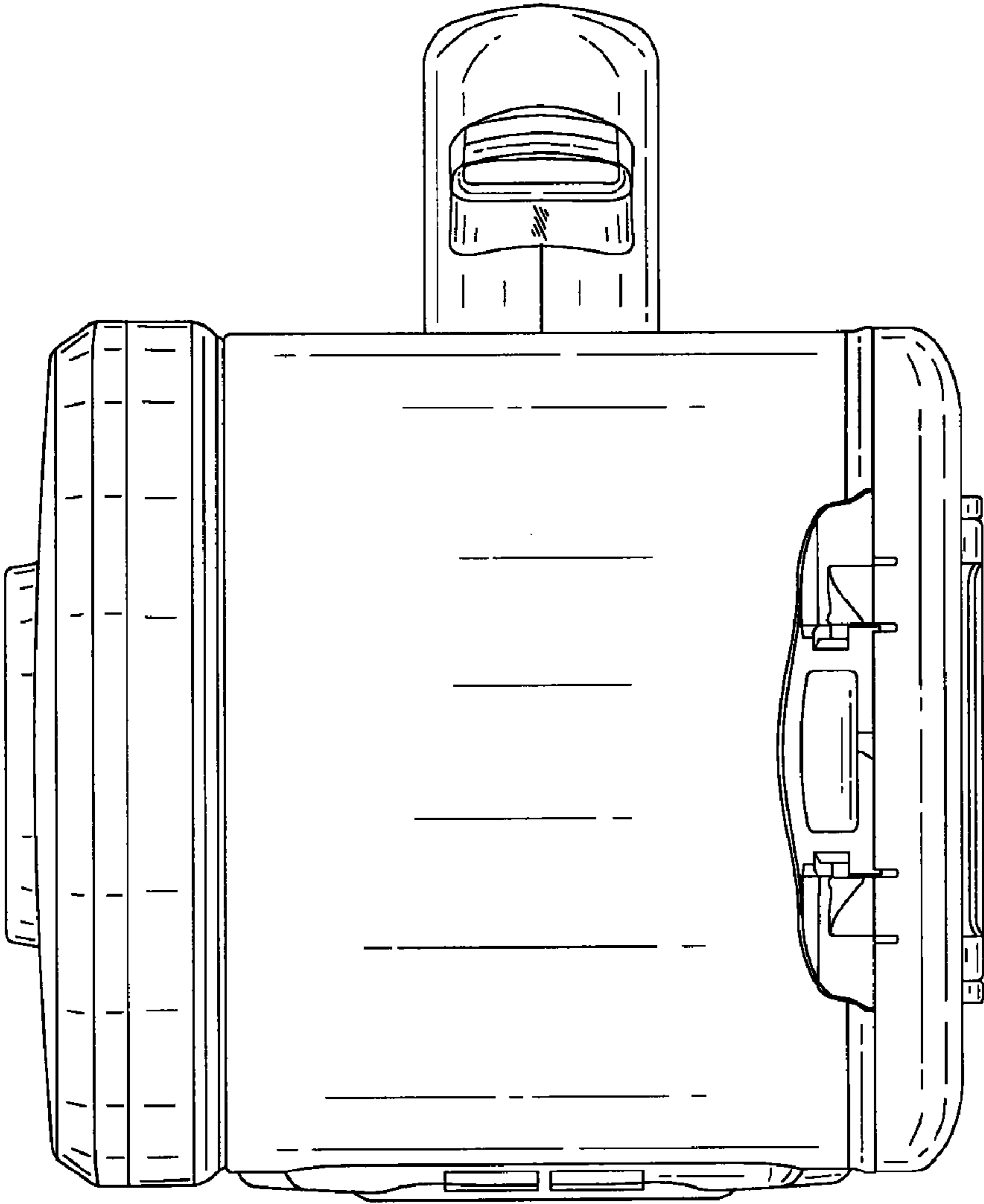


FIG.4

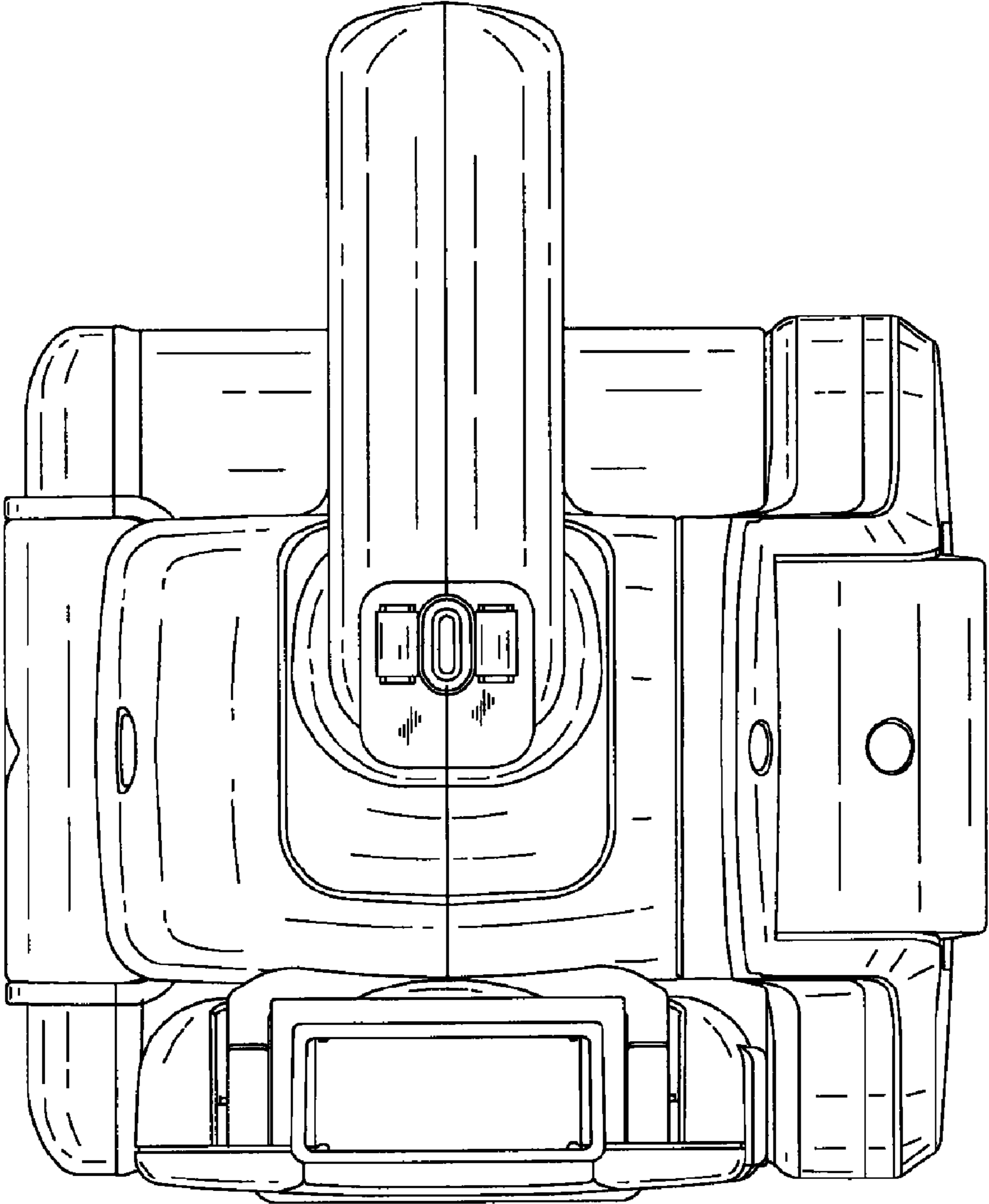


FIG.5

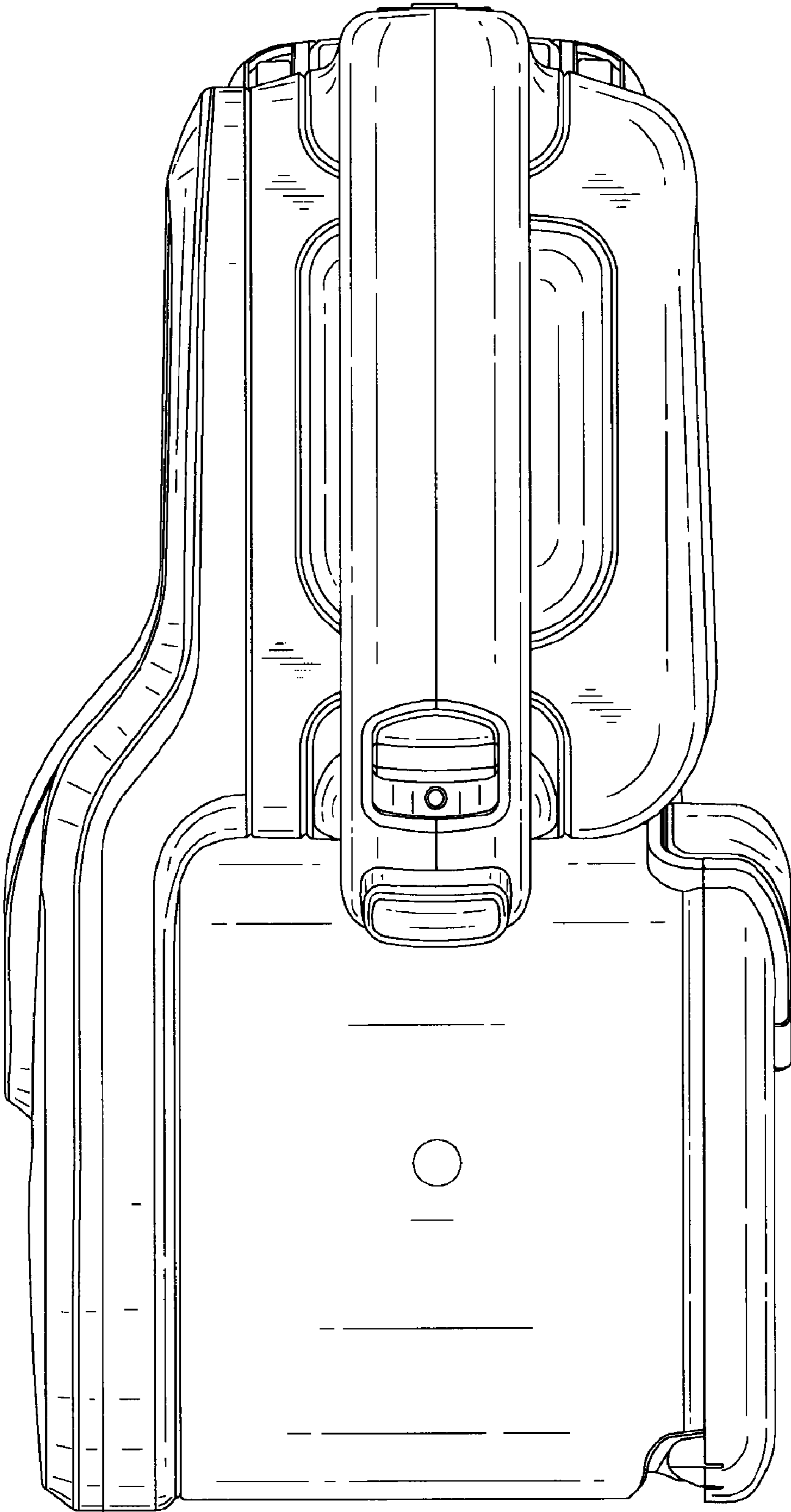


FIG.6

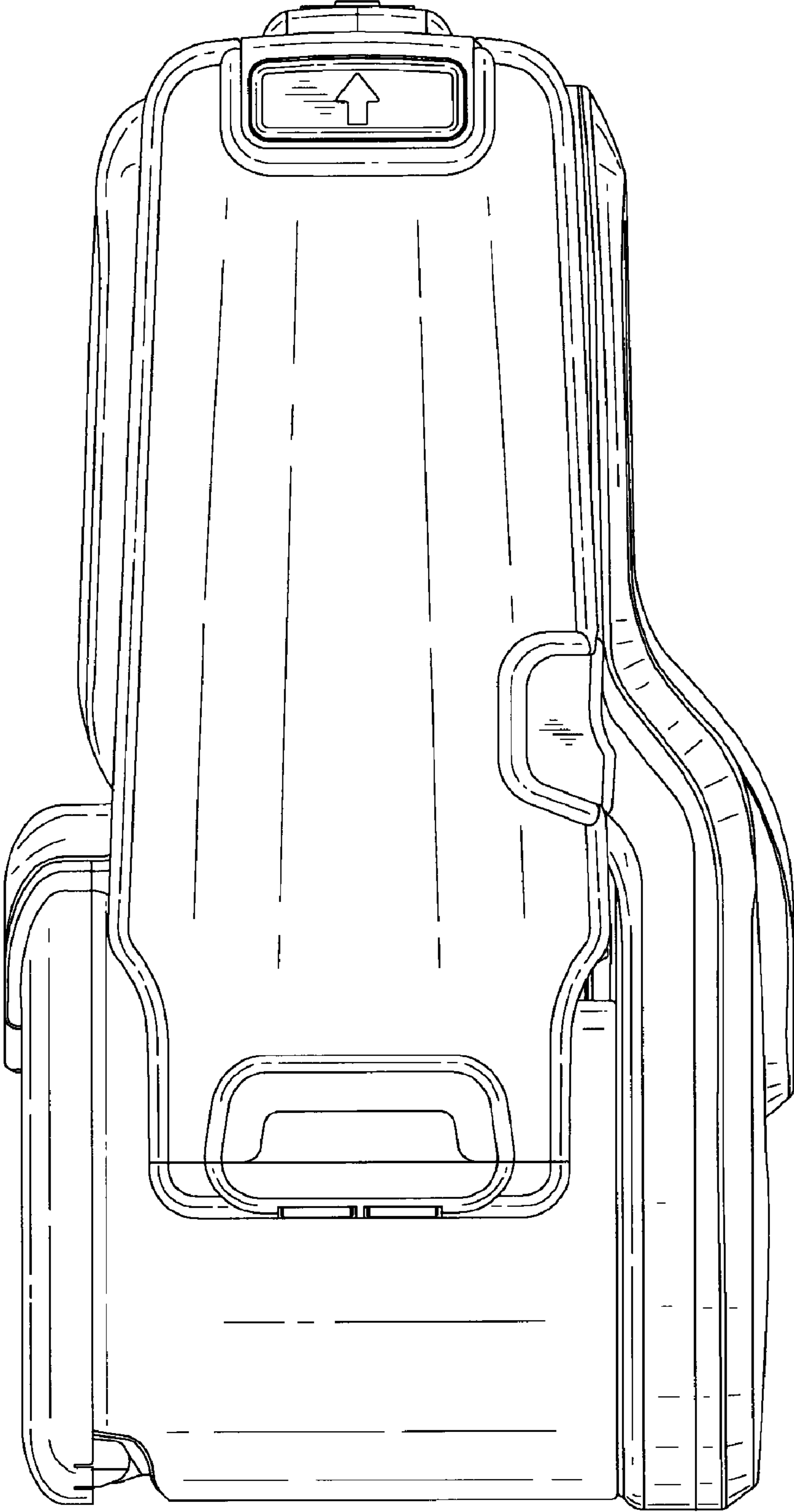


FIG.7

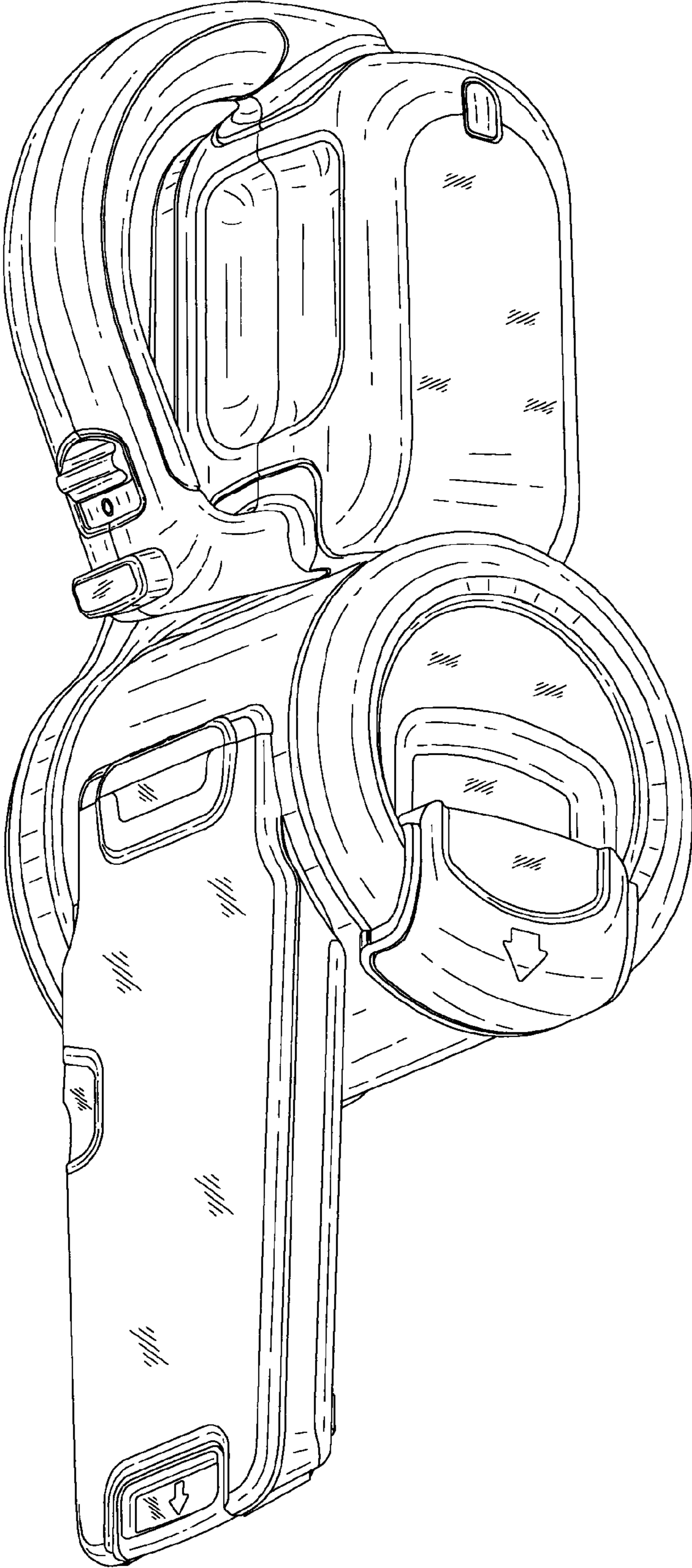


FIG.8

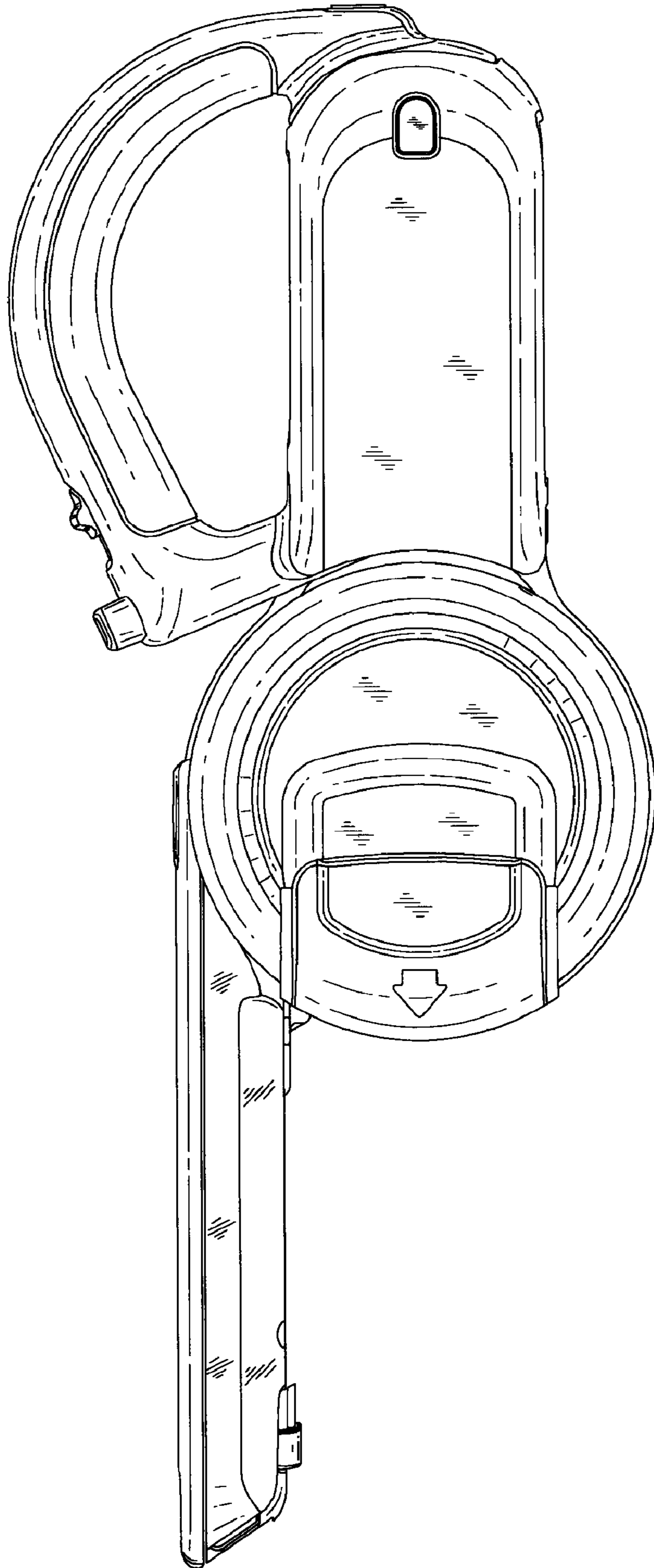


FIG.9

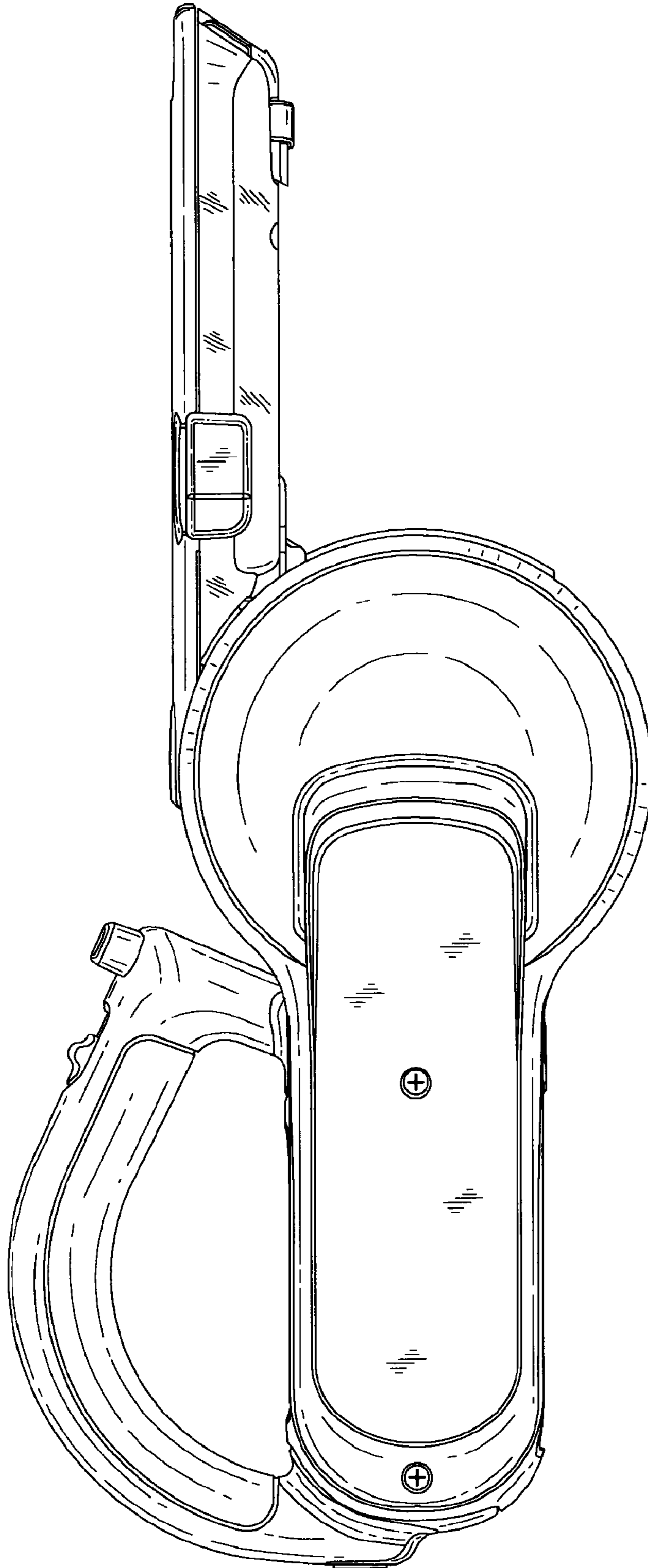


FIG.10

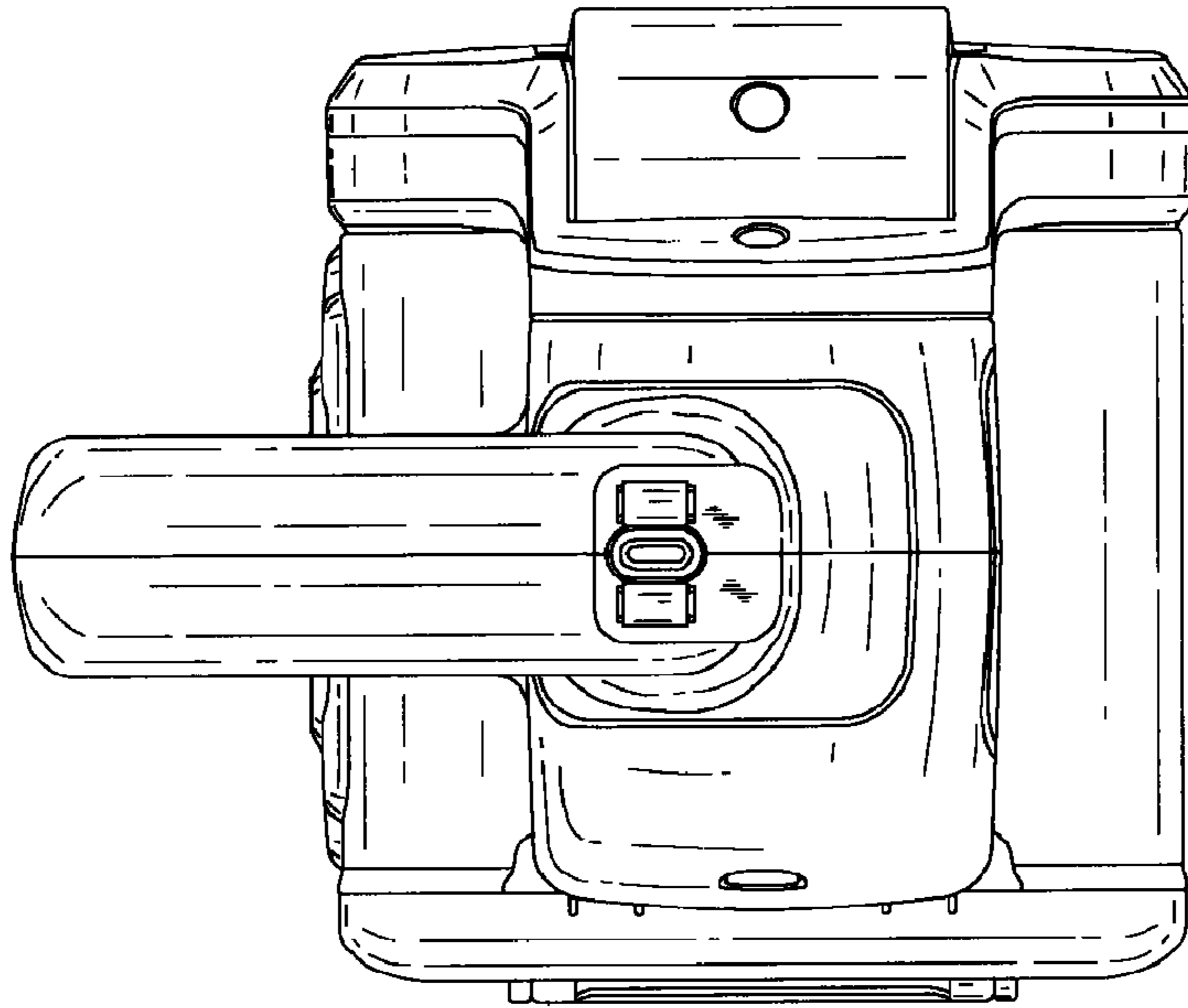


FIG.12

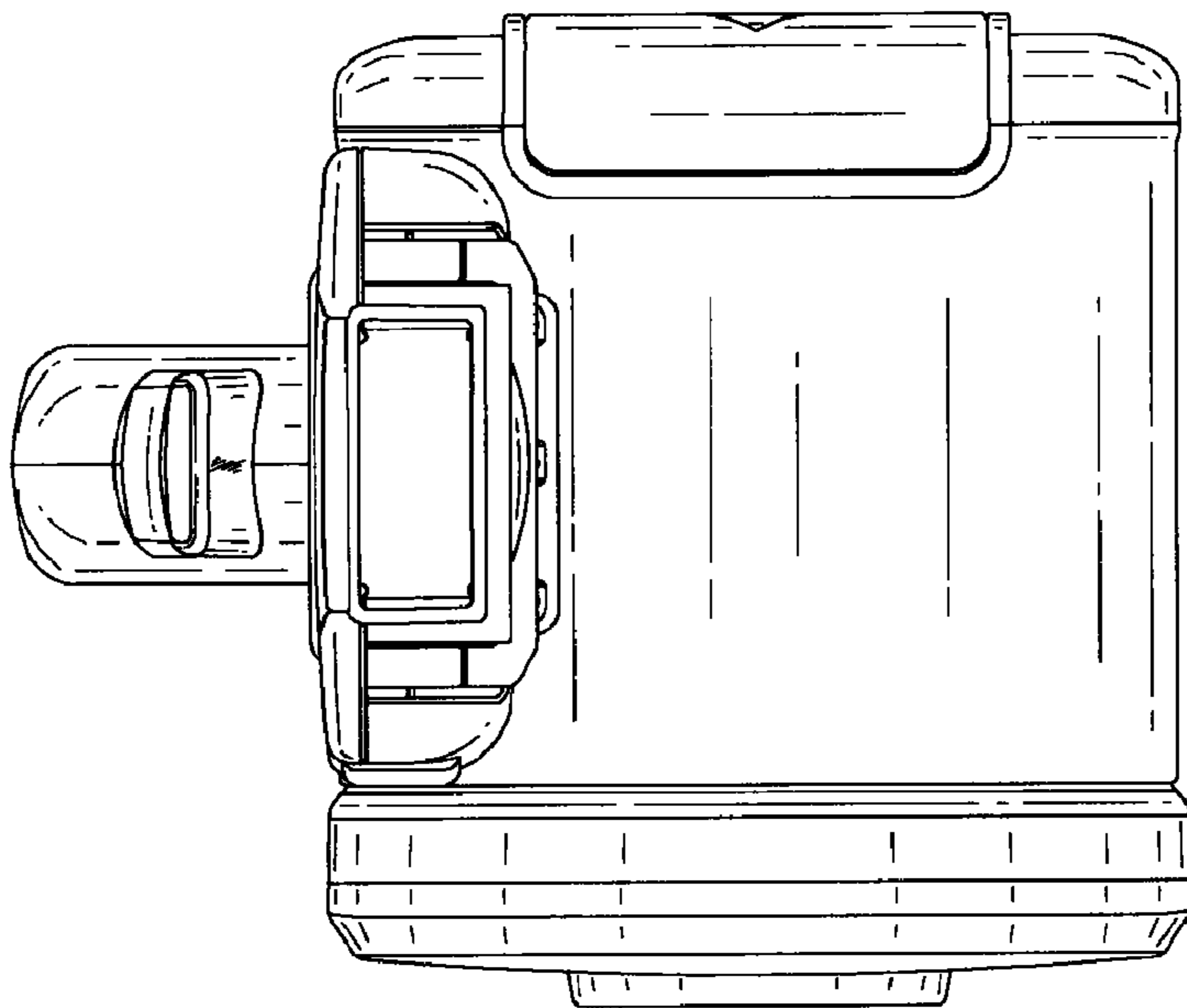


FIG.11

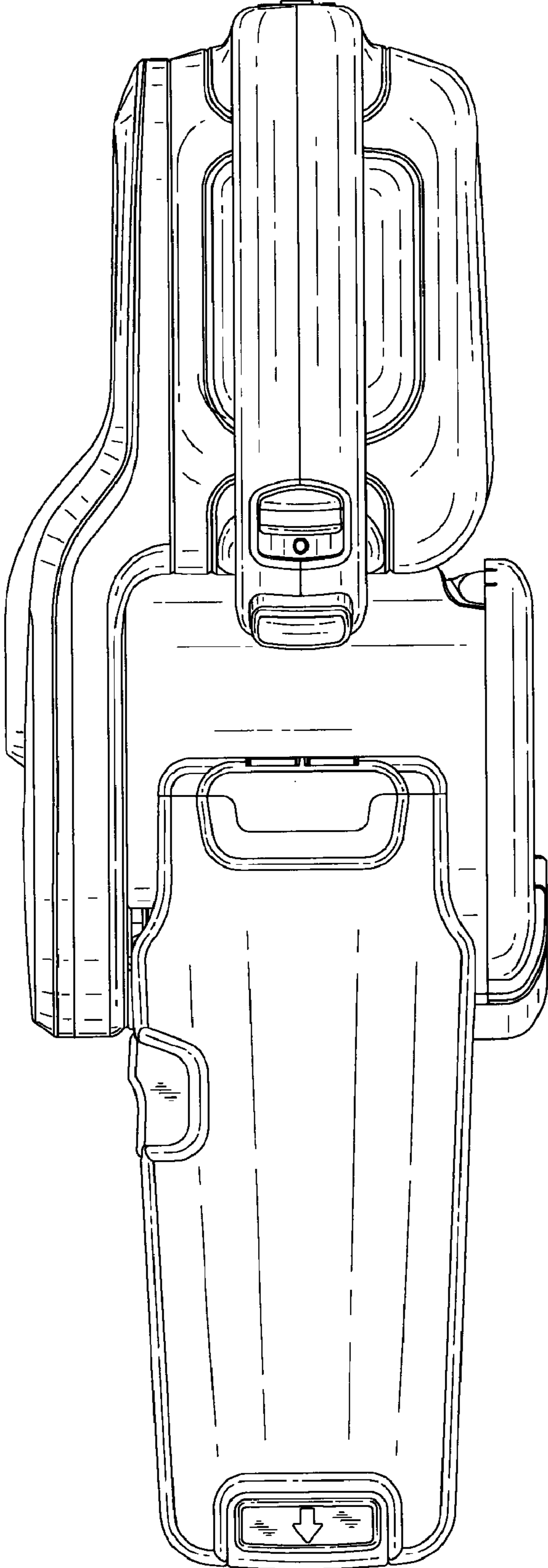


FIG.13

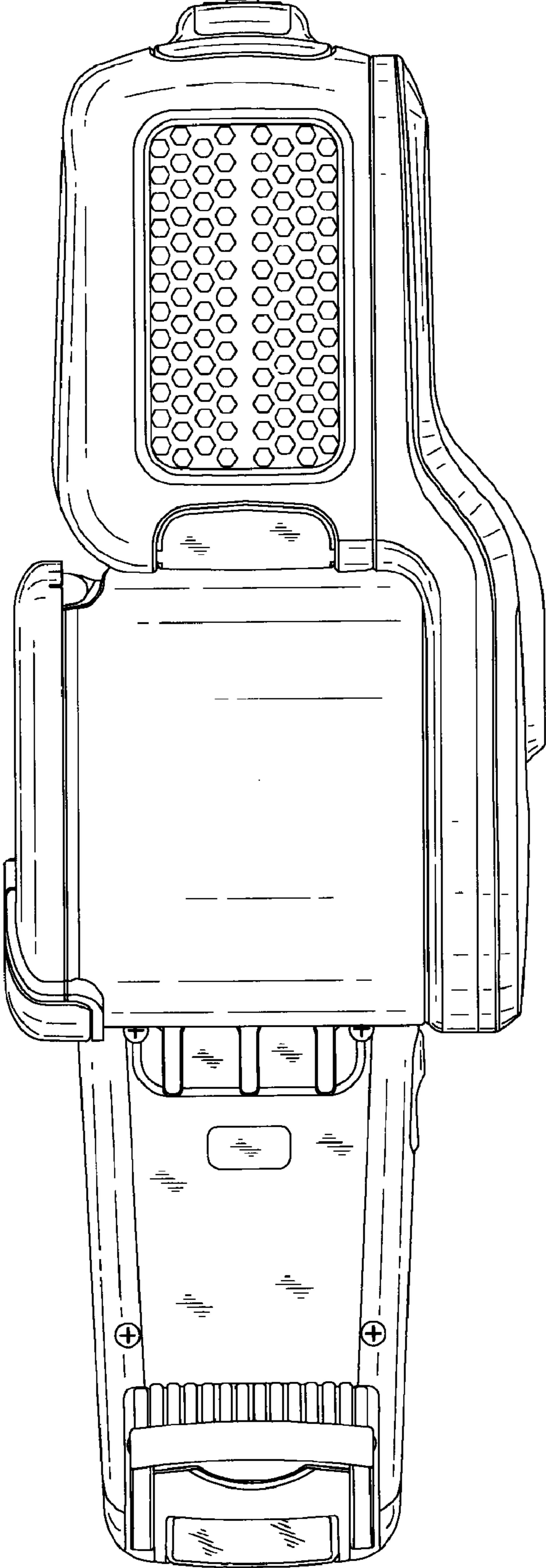


FIG.14