



US00D640846S

(12) **United States Design Patent**  
**Tinius**

(10) **Patent No.:** **US D640,846 S**  
(45) **Date of Patent:** **\*\* Jun. 28, 2011**

(54) **BLOWER**

(75) Inventor: **Michael Tinius**, Ulm (DE)

(73) Assignee: **Andreas Stihl AG & Co. KG**,  
Waiblingen (DE)

(\*\*) Term: **14 Years**

(21) Appl. No.: **29/357,711**

(22) Filed: **Mar. 16, 2010**

(30) **Foreign Application Priority Data**

Sep. 16, 2009 (EM) ..... 001165112-0002

(51) **LOC (9) Cl.** ..... **15-05**

(52) **U.S. Cl.** ..... **D32/15**

(58) **Field of Classification Search** ..... D32/1,  
D32/15, 16, 17, 18, 21, 25; D23/383; 15/320-322,  
15/344-345, 405, 414, 415.1  
See application file for complete search history.

(56) **References Cited**

**U.S. PATENT DOCUMENTS**

- D285,848 S \* 9/1986 Iida et al. .... D32/15
- D297,274 S \* 8/1988 Komiya et al. .... D32/15
- 5,813,088 A \* 9/1998 Wagner et al. .... 15/327.5
- D481,497 S \* 10/2003 Malmqvist et al. .... D32/15
- D533,266 S \* 12/2006 Yoshida et al. .... D23/383

- D558,939 S \* 1/2008 Yuasa ..... D32/15
- D577,113 S \* 9/2008 Tinius ..... D23/383
- D584,461 S \* 1/2009 Sweeney ..... D32/15
- D591,916 S \* 5/2009 Kosugi et al. .... D32/15
- D594,961 S \* 6/2009 Tinius ..... D23/383
- D599,464 S \* 9/2009 Noda ..... D23/383
- D604,917 S \* 11/2009 Tinius ..... D32/15
- D605,819 S \* 12/2009 Tinius ..... D32/15
- 2006/0130273 A1 \* 6/2006 Norinder et al. .... 15/405
- 2009/0126147 A1 \* 5/2009 Nakazawa et al. .... 15/405

\* cited by examiner

*Primary Examiner* — T. Chase Nelson

*Assistant Examiner* — Kathleen M Sims

(74) *Attorney, Agent, or Firm* — McGuireWoods LLP

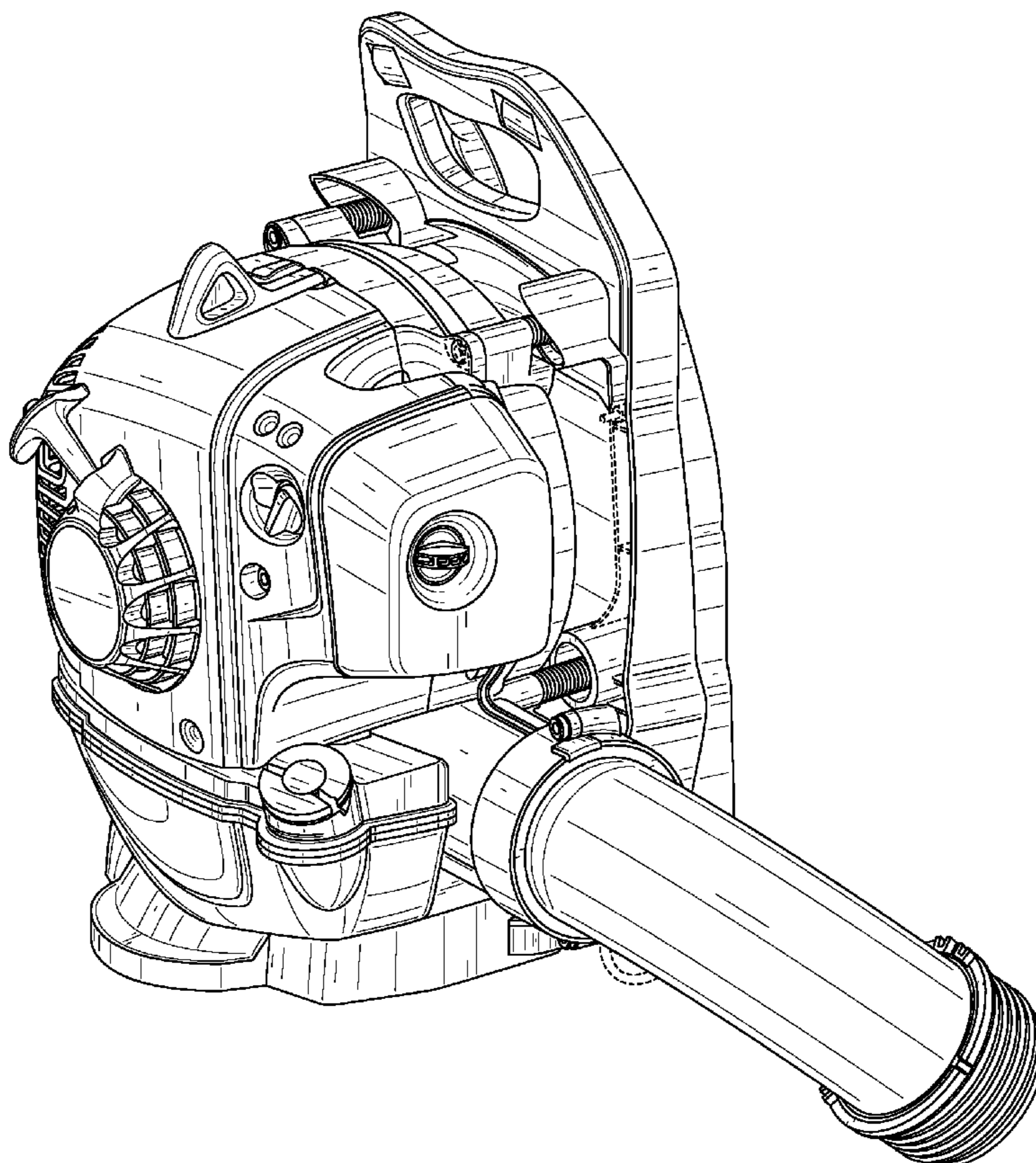
(57) **CLAIM**

I claim the ornamental design for a blower, as shown and described.

**DESCRIPTION**

FIG. 1 is a right back side perspective view of the blower;  
FIG. 2 is a back side perspective view of the design shown in FIG. 1;  
FIG. 3 is a front side view of the design shown in FIG. 1;  
FIG. 4 is a left side view of the design shown in FIG. 1;  
FIG. 5 is a right side view of the design shown in FIG. 1;  
FIG. 6 is a top side view of the design shown in FIG. 1; and,  
FIG. 7 is a bottom side view of the design shown in FIG. 1.

**1 Claim, 7 Drawing Sheets**



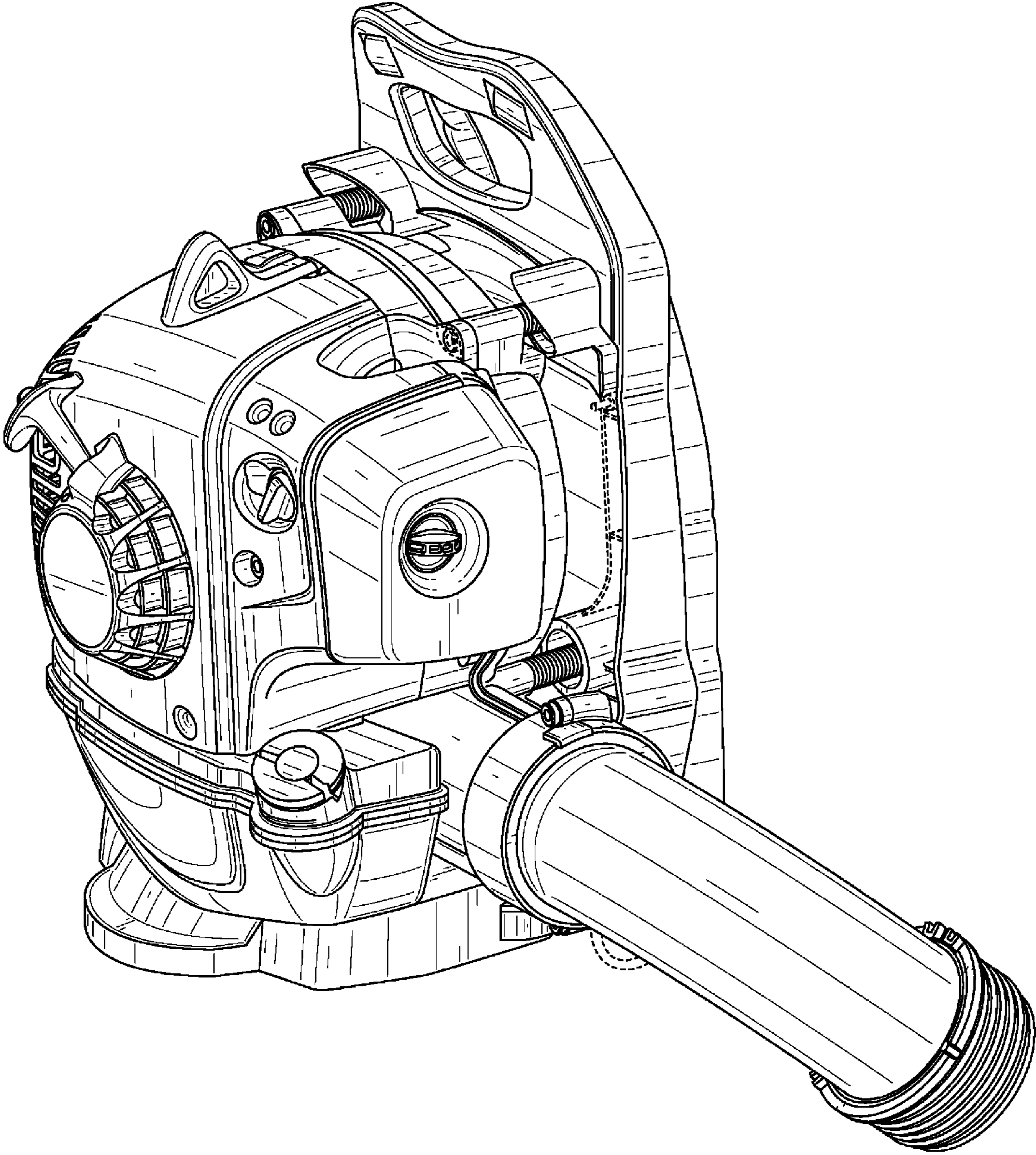


FIG. 1

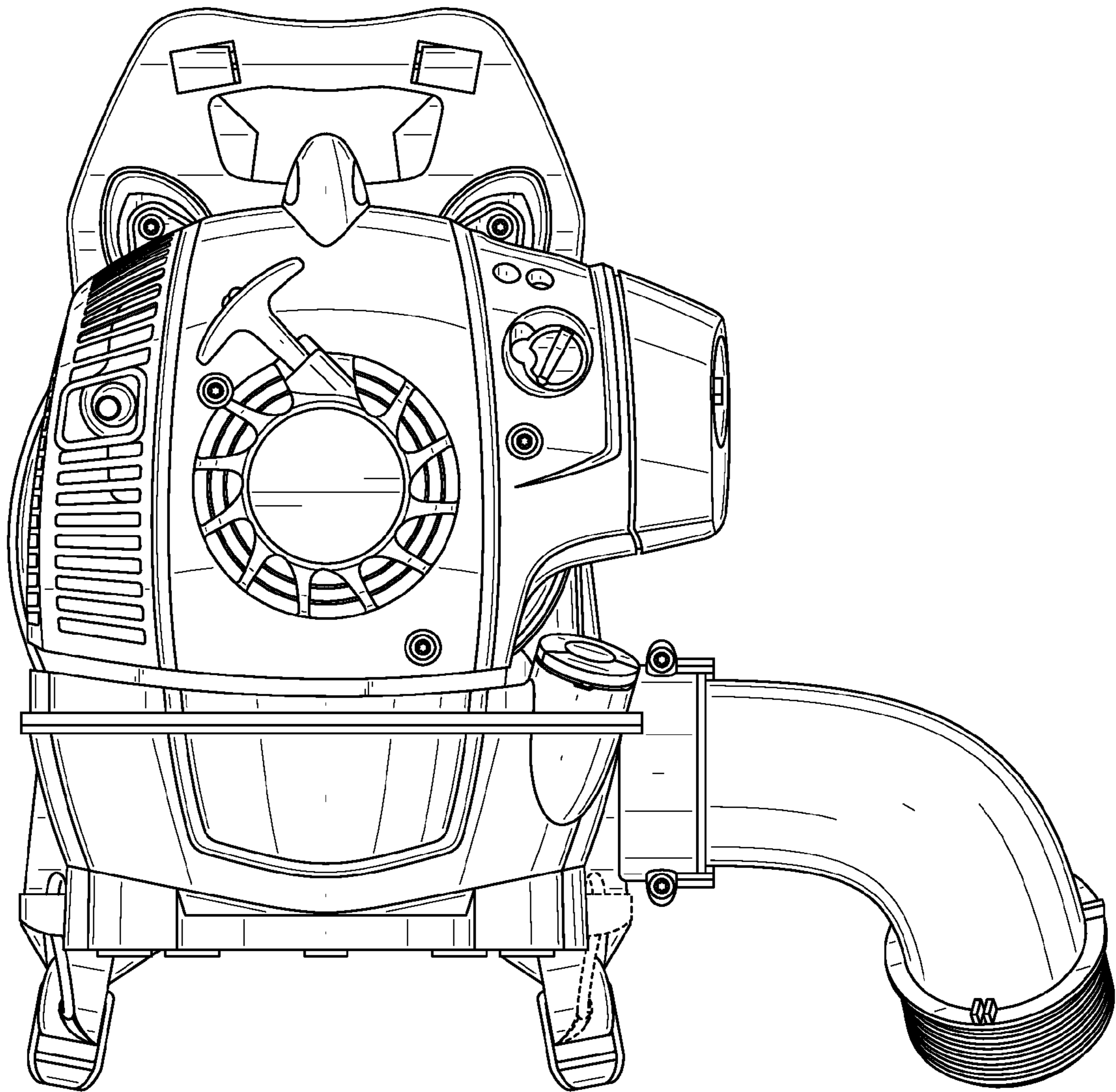


FIG. 2

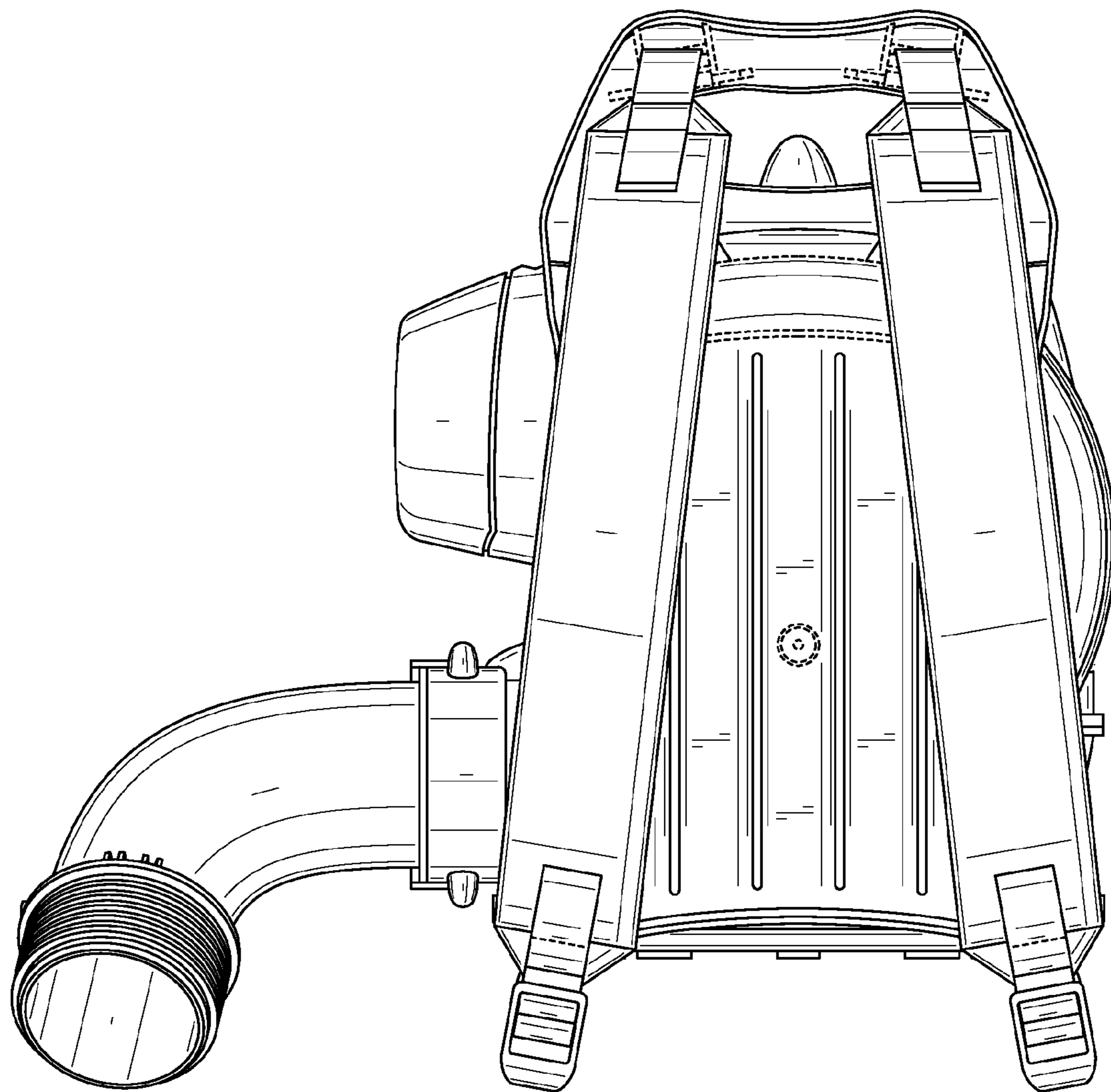


FIG. 3

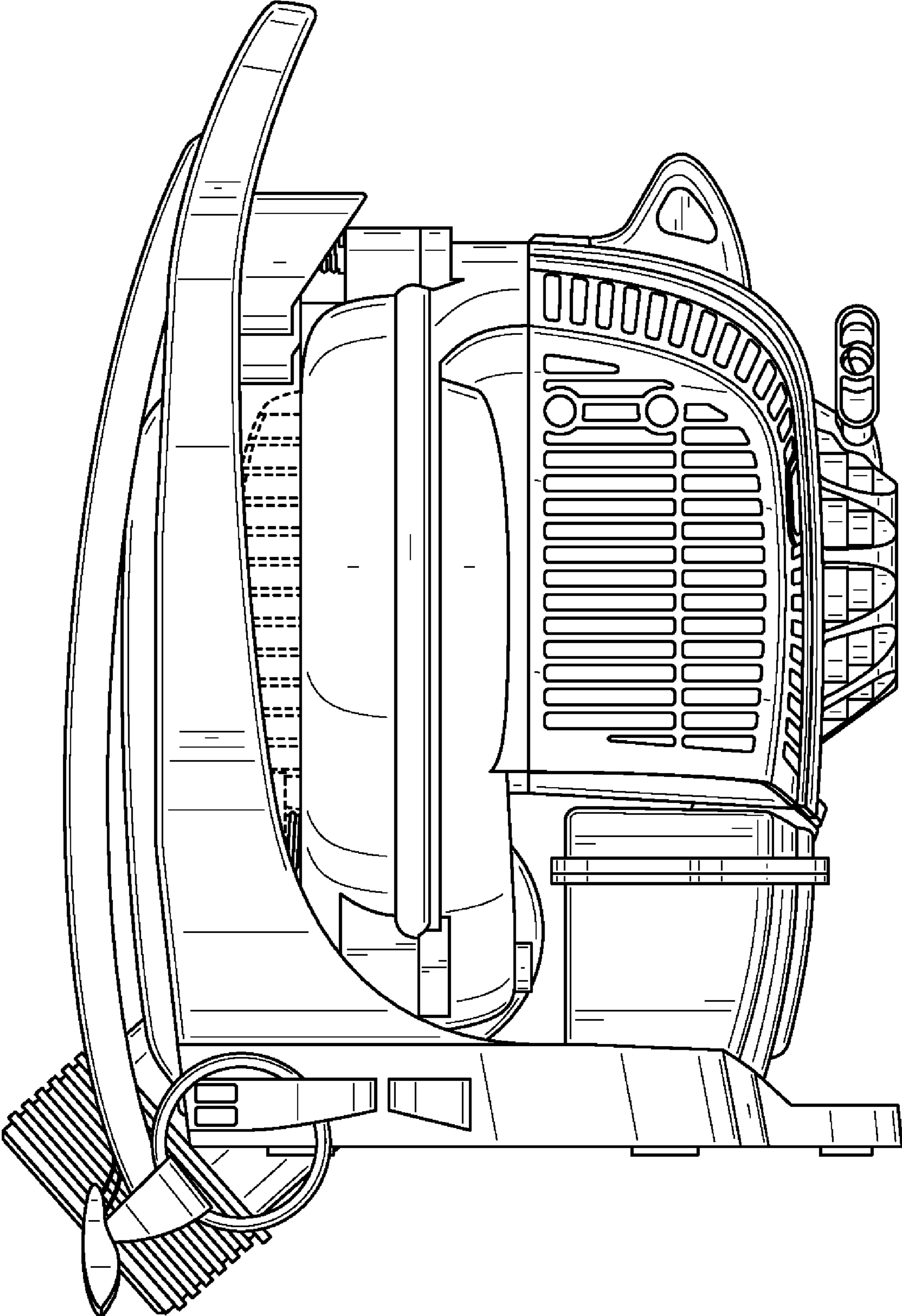


FIG. 4

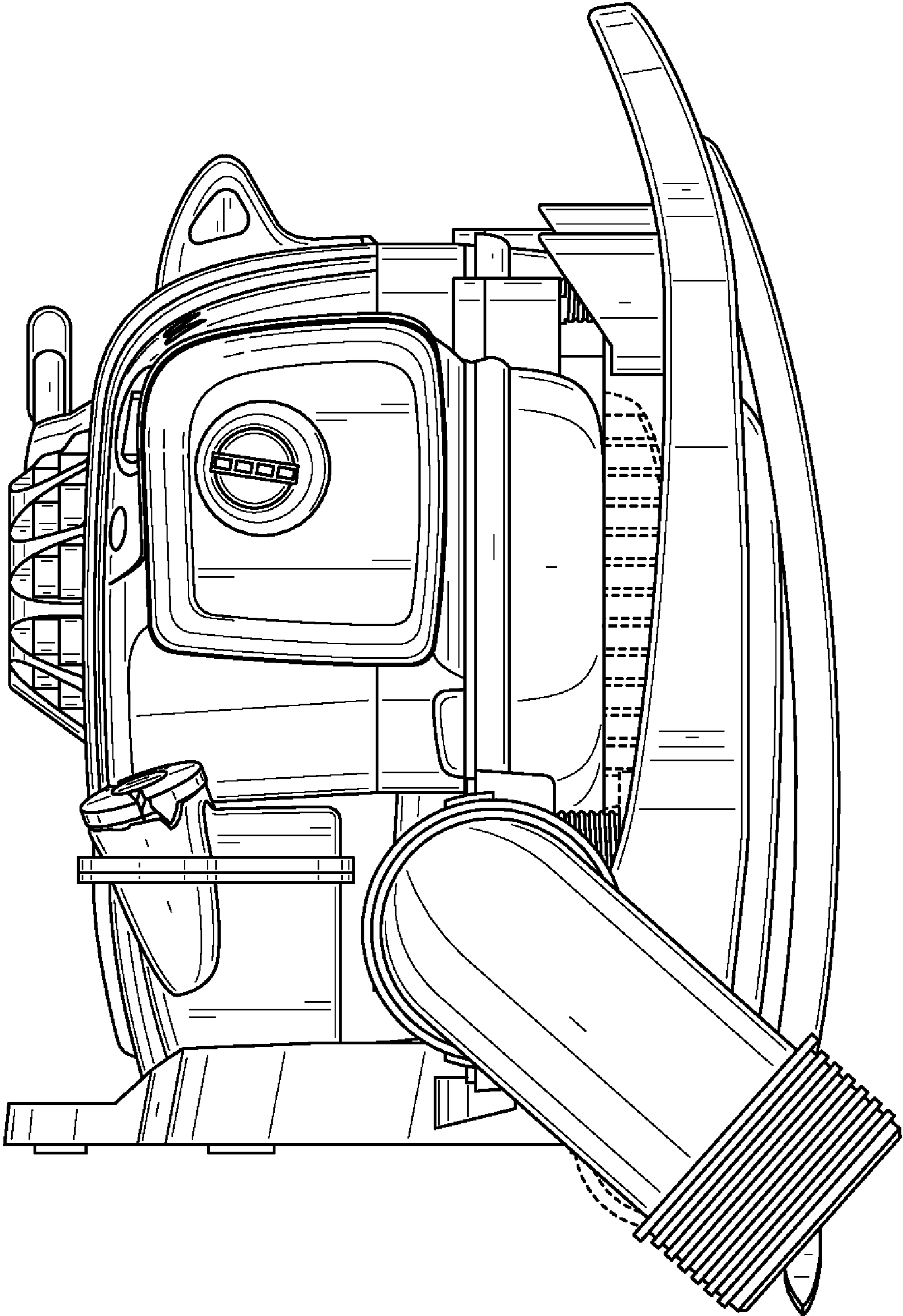


FIG. 5

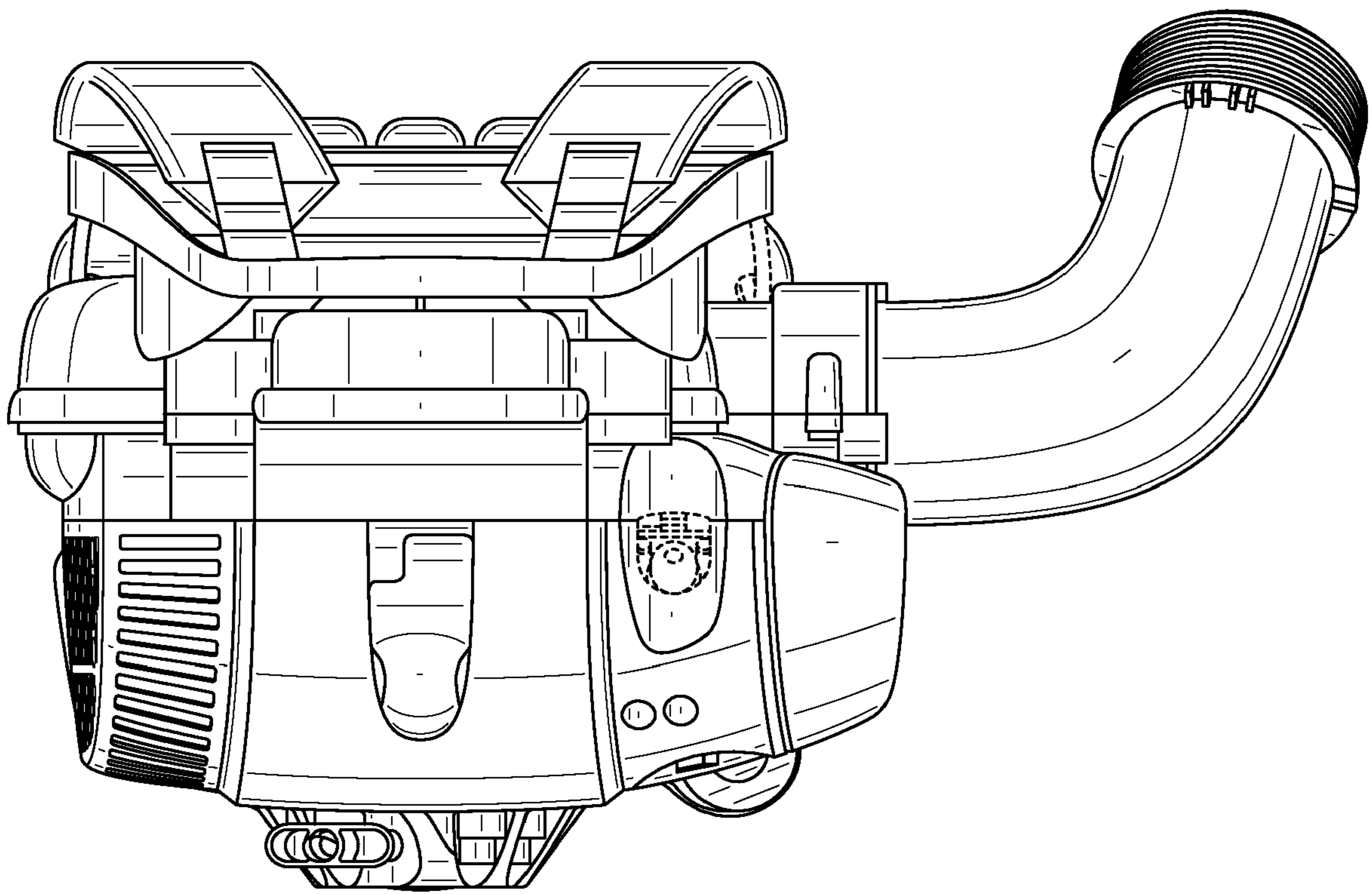


FIG. 6

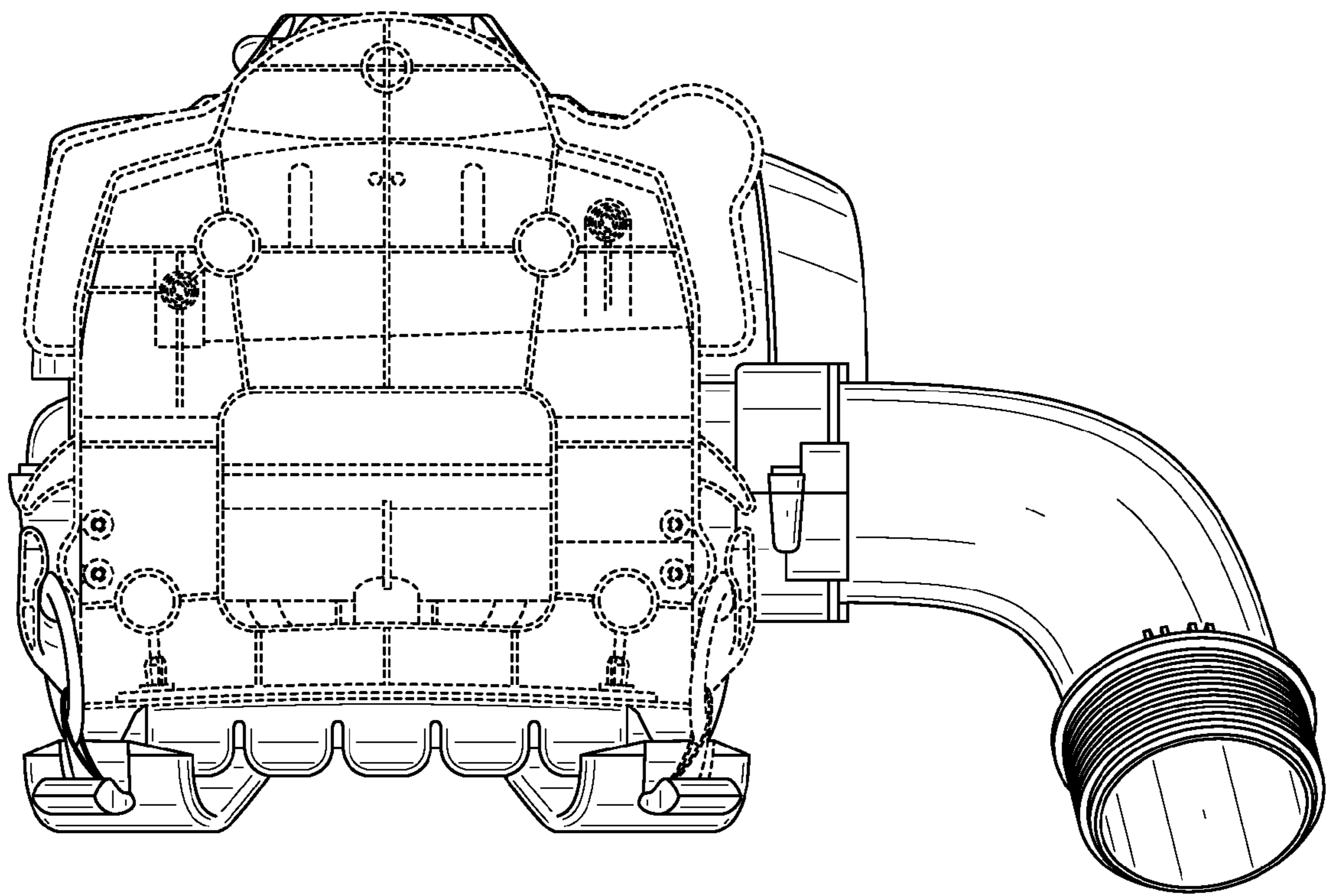


FIG. 7