



US00D640844S

(12) **United States Design Patent**
Benold

(10) **Patent No.:** **US D640,844 S**
(45) **Date of Patent:** **** Jun. 28, 2011**

- (54) **DISHWASHER PANEL**
- (75) Inventor: **Frank Benold**, Porcia (IT)
- (73) Assignee: **Electrolux Home Products Corporation N.V.** (BE)
- (**) Term: **14 Years**
- (21) Appl. No.: **29/367,769**
- (22) Filed: **Aug. 12, 2010**

D449,720 S	10/2001	Costello	
D455,874 S	4/2002	Resuello et al.	
D460,224 S	7/2002	Richardson	
D471,403 S	3/2003	Jones et al.	
D473,684 S	4/2003	Wendt	
D473,980 S	4/2003	Bowser et al.	
D474,866 S	5/2003	Wendt	
D516,758 S *	3/2006	Kirk	D32/3
D530,048 S	10/2006	Knochner	
D530,460 S	10/2006	Knochner	
D533,691 S	12/2006	Knochner	
D544,657 S *	6/2007	Jung et al.	D32/2
D555,846 S *	11/2007	Jung et al.	D32/3
D559,478 S *	1/2008	Jung et al.	D32/2
D561,956 S *	2/2008	Baldwin	D32/3
D566,348 S *	4/2008	Jung et al.	D32/2

(30) **Foreign Application Priority Data**

Feb. 12, 2010 (EM) 001669227-0006

- (51) **LOC (9) Cl.** **15-05**
- (52) **U.S. Cl.** **D32/3**
- (58) **Field of Classification Search** D32/1-3,
D32/25, 28; 134/56 D, 57 D, 58 DL, 113,
134/201; 68/212; 312/31; D7/340, 348-351,
D7/405

See application file for complete search history.

* cited by examiner

Primary Examiner — T. Chase Nelson
Assistant Examiner — Kathleen M Sims
(74) *Attorney, Agent, or Firm* — Banner & Witcoff, Ltd.

(57) **CLAIM**

The ornamental design for a dishwasher panel, as shown and described:

DESCRIPTION

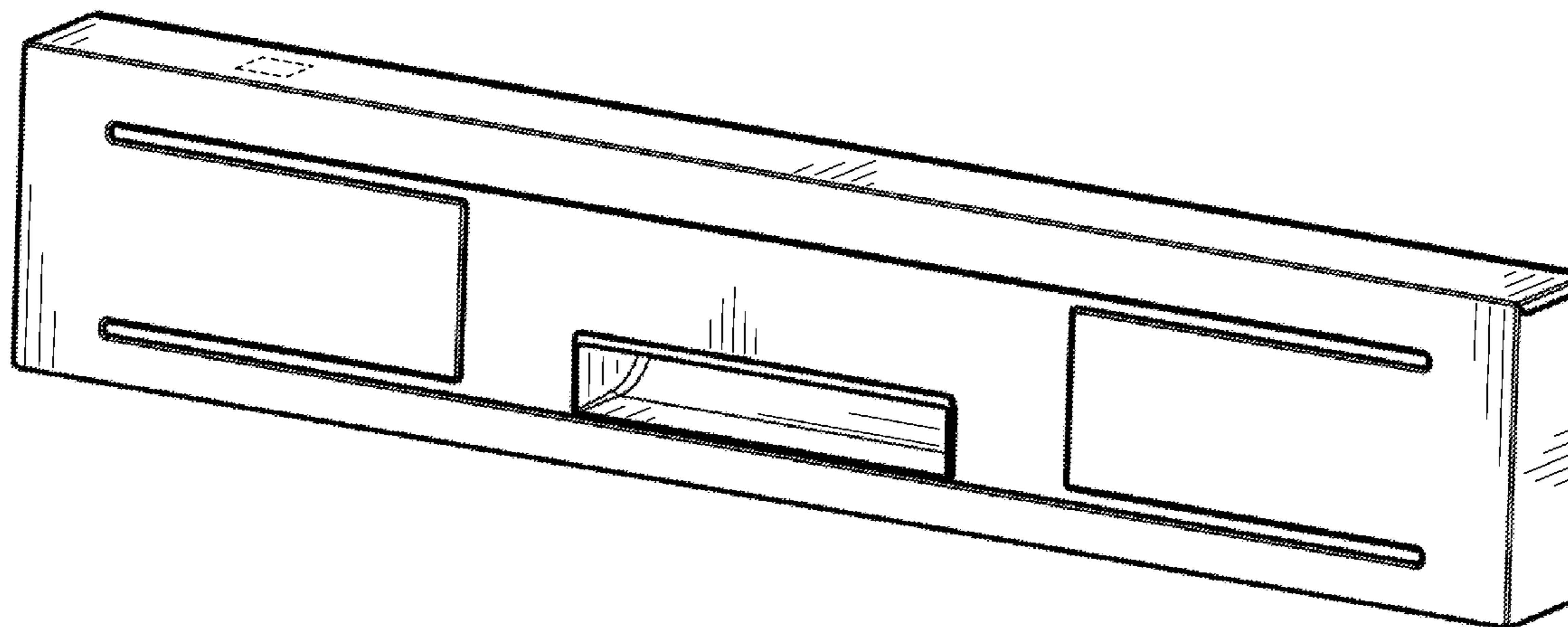
FIG. 1 is a perspective view of a dishwasher panel showing my new design; and,
FIG. 2 is a front view thereof.
The broken line showing of the rectangle on the top surface is for environmental purposes only and forms no part of the claimed design.

1 Claim, 2 Drawing Sheets

(56) **References Cited**

U.S. PATENT DOCUMENTS

5,365,959 A	11/1994	Favaro
D373,860 S	9/1996	Manke
D377,853 S	2/1997	Sparks
D385,071 S	10/1997	Hughes et al.
D391,695 S	3/1998	Baldwin et al.
D441,149 S	4/2001	Bournay, Jr. et al.
D441,150 S	4/2001	Bournay, Jr. et al.



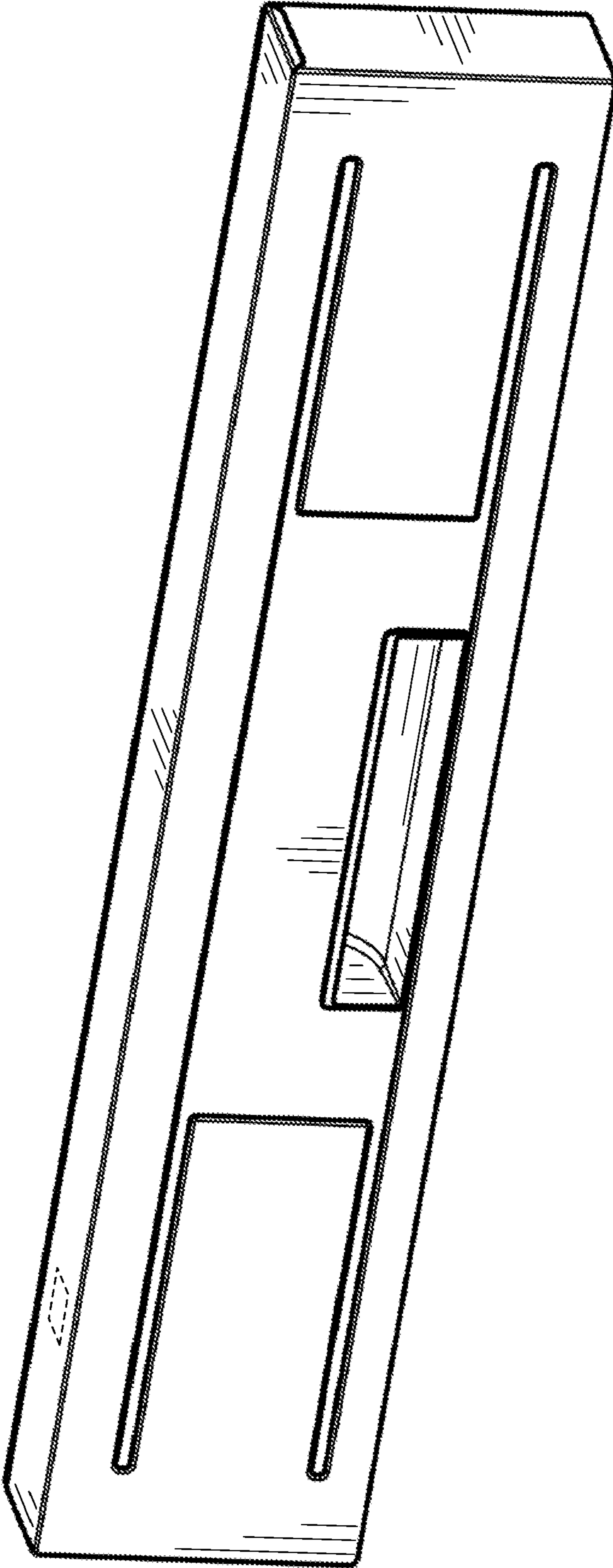


FIG. 1

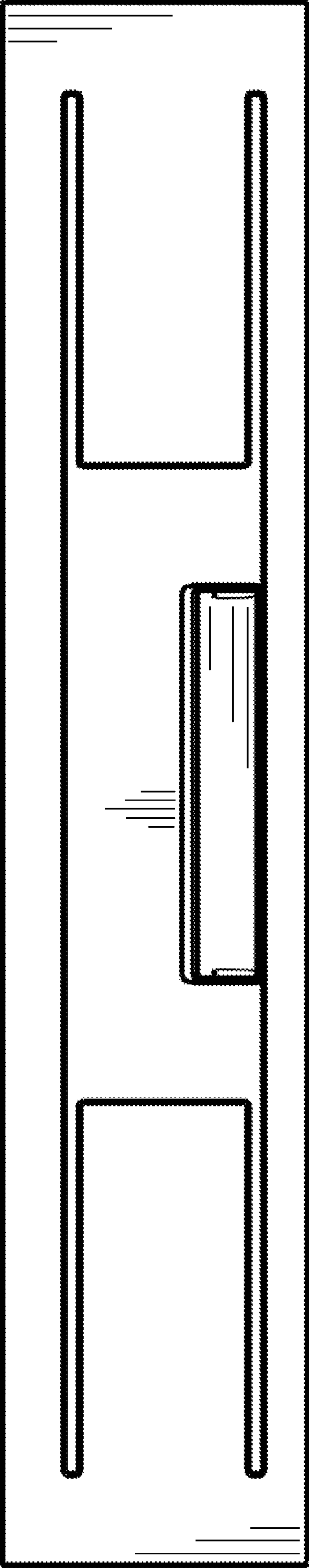


FIG. 2