



US00D640843S

(12) **United States Design Patent**  
**Benold**

(10) **Patent No.:** **US D640,843 S**

(45) **Date of Patent:** **\*\* Jun. 28, 2011**

(54) **DISHWASHER PANEL**

(75) **Inventor:** **Frank Benold, Porcia (IT)**

(73) **Assignee:** **Electrolux Home Products Corporation N.V. (BE)**

(\*\*) **Term:** **14 Years**

(21) **Appl. No.:** **29/367,768**

(22) **Filed:** **Aug. 12, 2010**

(30) **Foreign Application Priority Data**

Feb. 12, 2010 (EM) ..... 001669227-0007

(51) **LOC (9) Cl.** ..... **15-05**

(52) **U.S. Cl.** ..... **D32/3**

(58) **Field of Classification Search** ..... D32/1-3,  
D32/25, 28; 134/56 D, 57 D, 58 DL, 113,  
134/201; 68/212; 312/31; D7/340, 348-351,  
D7/405

See application file for complete search history.

(56) **References Cited**

**U.S. PATENT DOCUMENTS**

5,365,959 A	11/1994	Favaro
D373,860 S	9/1996	Manke
D377,853 S	2/1997	Sparks
D385,071 S	10/1997	Hughes et al.
D391,695 S	3/1998	Baldwin et al.
D441,149 S	4/2001	Bournay, Jr. et al.
D441,150 S	4/2001	Bournay, Jr. et al.

D449,720 S	10/2001	Costello	
D455,874 S	4/2002	Resuello et al.	
D460,224 S	7/2002	Richardson	
D471,403 S	3/2003	Jones et al.	
D473,684 S	4/2003	Wendt	
D473,980 S	4/2003	Bowser et al.	
D474,866 S	5/2003	Wendt	
D516,758 S *	3/2006	Kirk .....	D32/3
D530,048 S	10/2006	Knochner	
D530,460 S	10/2006	Knochner	
D533,691 S	12/2006	Knochner	
D544,657 S *	6/2007	Jung et al. ....	D32/2
D555,846 S *	11/2007	Jung et al. ....	D32/3
D559,478 S *	1/2008	Jung et al. ....	D32/2
D561,956 S *	2/2008	Baldwin .....	D32/3
D566,348 S *	4/2008	Jung et al. ....	D32/2

\* cited by examiner

*Primary Examiner* — T. Chase Nelson

*Assistant Examiner* — Kathleen M Sims

(74) *Attorney, Agent, or Firm* — Banner & Witcoff, Ltd.

(57) **CLAIM**

The ornamental design for a dishwasher panel, as shown and described.

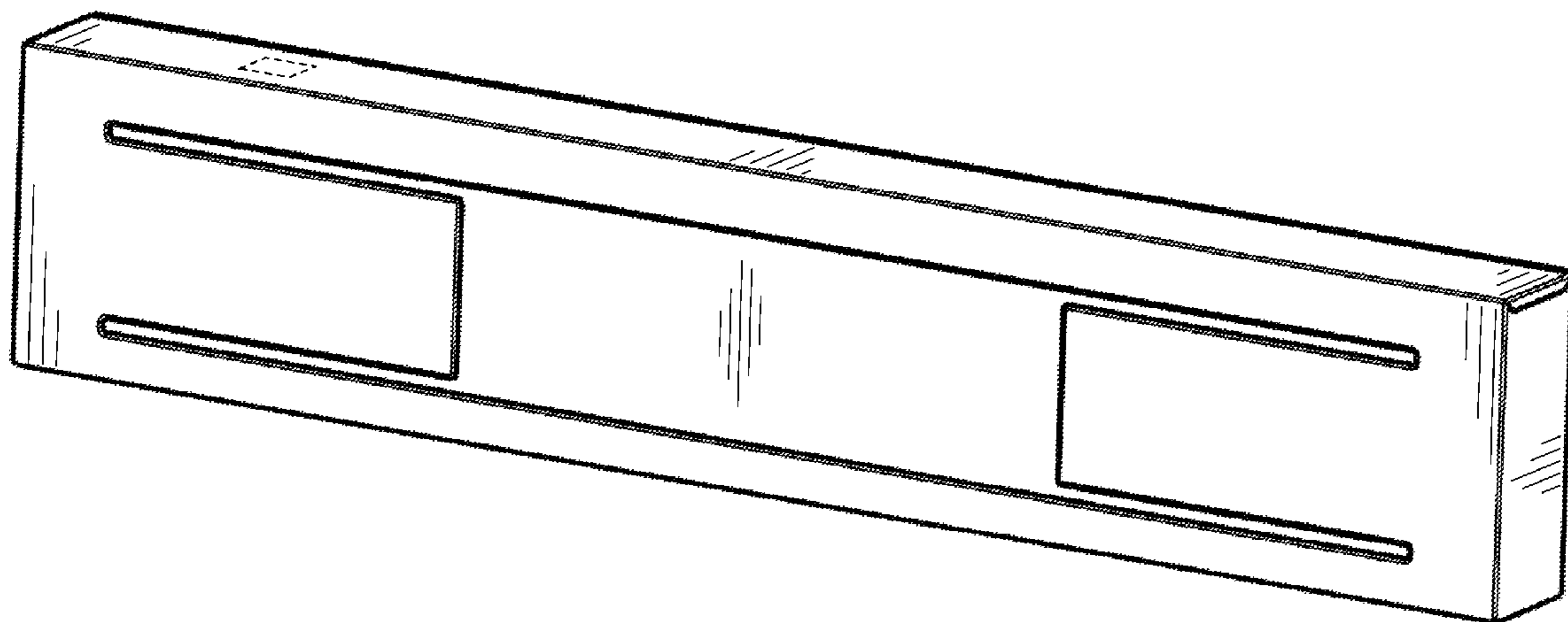
**DESCRIPTION**

FIG. 1 is a perspective view of a dishwasher panel showing my new design; and,

FIG. 2 is a front view thereof.

The broken line showing of the rectangle on the top surface is for environmental purposes only and forms no part of the claimed design.

**1 Claim, 2 Drawing Sheets**



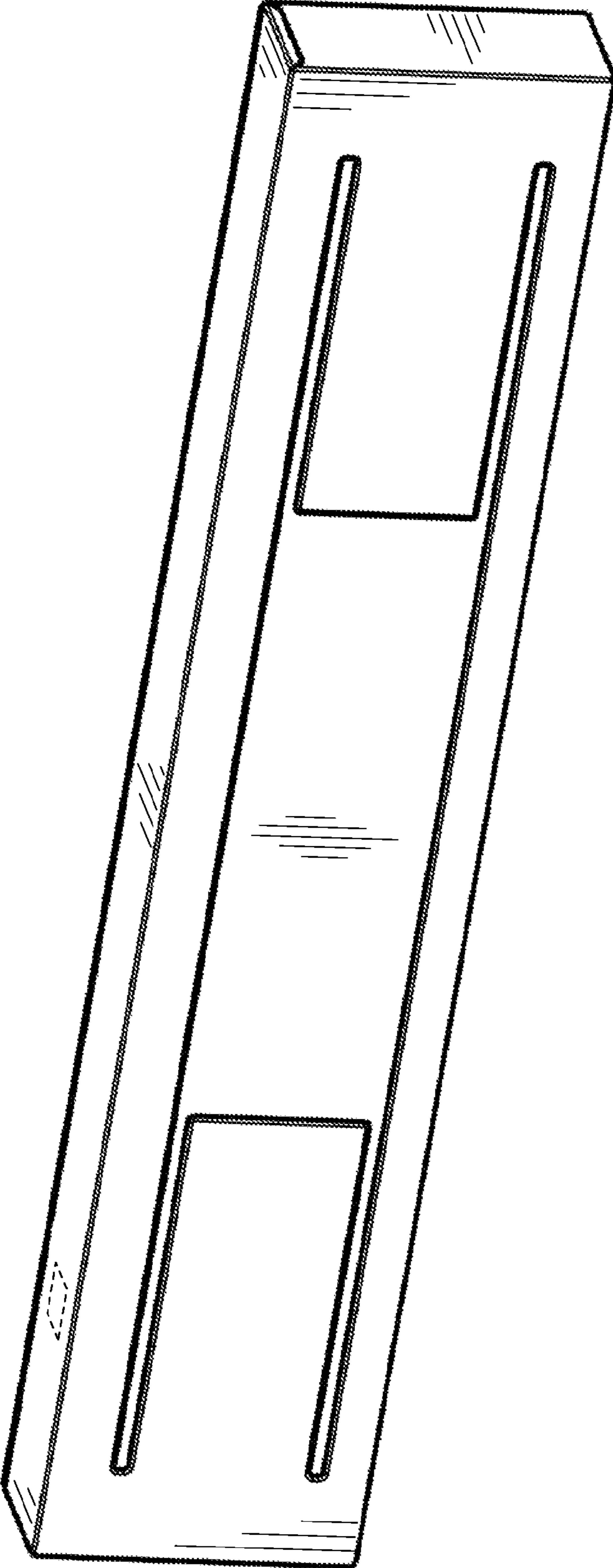


FIG. 1

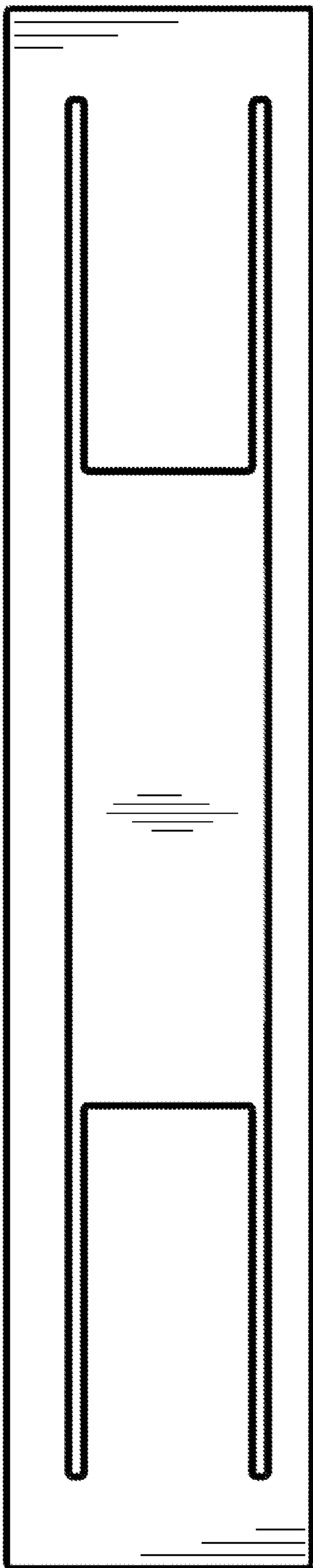


FIG. 2