



US00D640842S

(12) **United States Design Patent**
Eng

(10) **Patent No.:** **US D640,842 S**

(45) **Date of Patent:** **** Jun. 28, 2011**

(54) **CUP SHELF**

(75) Inventor: **Lindsay Eng**, New Bern, NC (US)

(73) Assignee: **BSH Home Appliances Corporation**,
Huntington Beach, CA (US)

(**) Term: **14 Years**

(21) Appl. No.: **29/339,335**

(22) Filed: **Jun. 29, 2009**

(51) **LOC (9) Cl.** **15-05**

(52) **U.S. Cl.** **D32/3**

(58) **Field of Classification Search** D32/1,
D32/2, 3, 25; D3/309; 134/56 D, 135, 201;
220/487-488, 555, 676; 211/41.3, 41.9

See application file for complete search history.

(56) **References Cited**

U.S. PATENT DOCUMENTS

D202,569 S *	10/1965	Maslow	D32/3
D254,187 S *	2/1980	Freese	D32/3
4,192,432 A *	3/1980	Jordan	220/676
4,834,125 A *	5/1989	Insalaco	134/201
5,069,360 A *	12/1991	Dingler et al.	220/501
D331,477 S *	12/1992	Michael et al.	D32/3
D338,749 S *	8/1993	McConnell	D32/3
5,287,984 A *	2/1994	Michael	220/812
5,431,294 A *	7/1995	Stottmann et al.	220/23.4
D391,696 S *	3/1998	Bournay et al.	D32/3

6,109,455 A *	8/2000	Schroeder	211/41.9
D473,985 S *	4/2003	Moreira Da Silva	D32/32
D487,825 S *	3/2004	Kim et al.	D32/3
D488,891 S *	4/2004	Smith et al.	D32/3
D502,295 S *	2/2005	Feddema	D32/3
D517,253 S *	3/2006	Raches et al.	D32/3
7,073,682 B2 *	7/2006	Raches et al.	220/488

* cited by examiner

Primary Examiner — T. Chase Nelson

Assistant Examiner — Kathleen M Sims

(74) *Attorney, Agent, or Firm* — James E. Howard; Andre Pallapies

(57) **CLAIM**

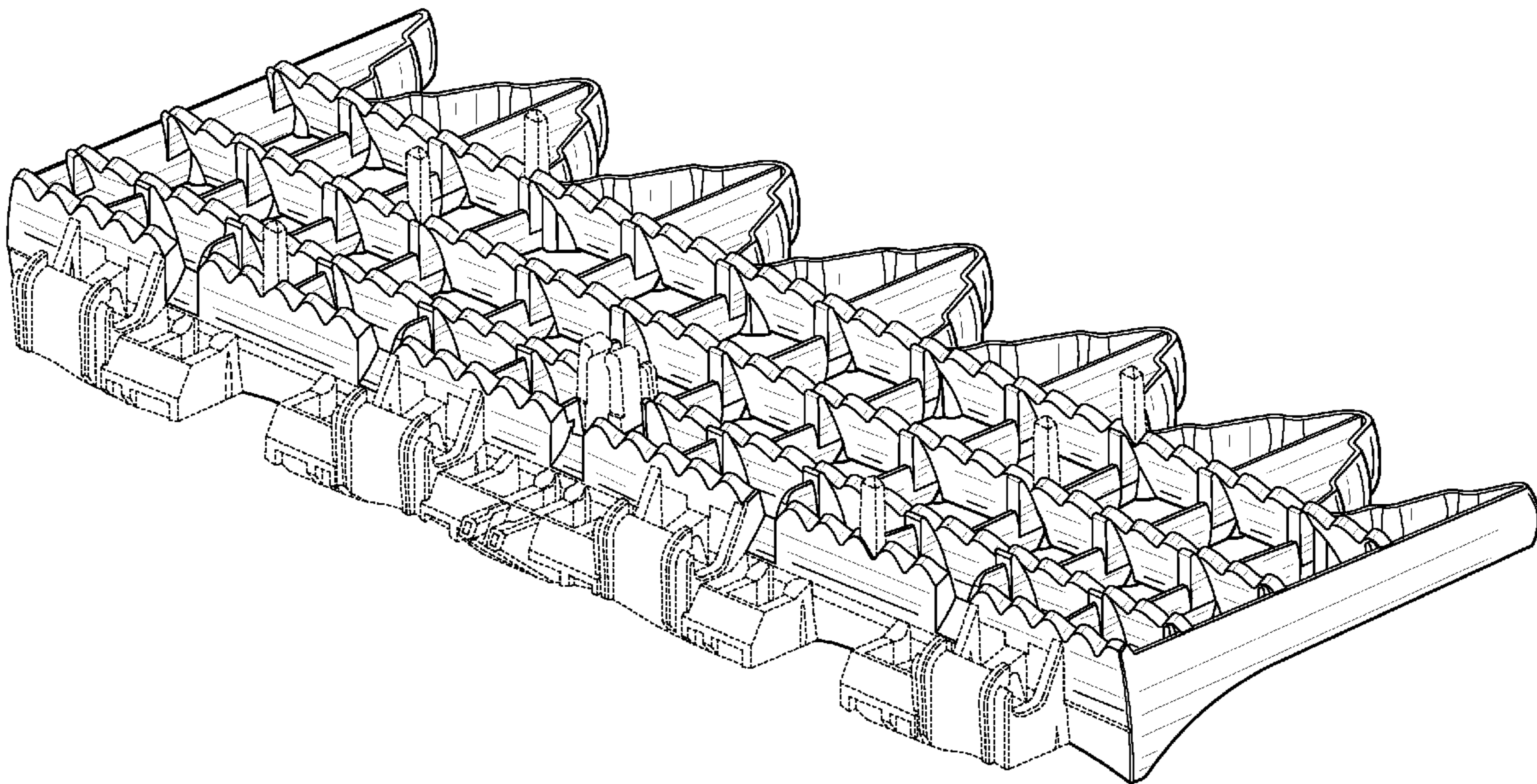
The ornamental design for a cup shelf, as shown and described.

DESCRIPTION

FIG. 1 is a top view of a cup shelf according to my/our design; FIG. 2 is a bottom view thereof; FIG. 3 is a right side view thereof, with the left side view thereof being a mirror image thereof; FIG. 4 is a front view thereof; FIG. 5 is a rear view thereof; FIG. 6 is a bottom perspective view thereof, from the top, right corner thereof; and, FIG. 7 is a front perspective view thereof, shown for environmental reference.

The broken lines represent environment or structure of the cup shelf and do not form any part of the claimed design.

1 Claim, 6 Drawing Sheets



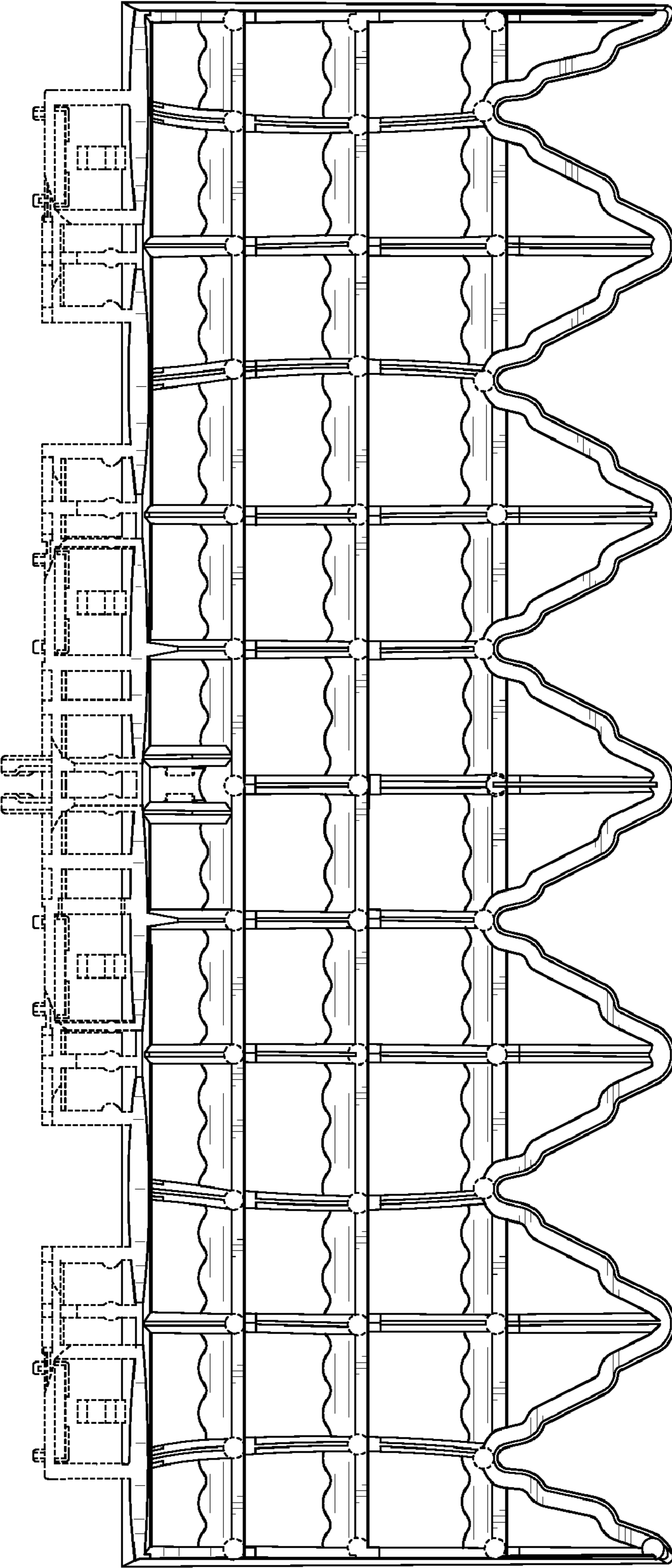


FIG. 1

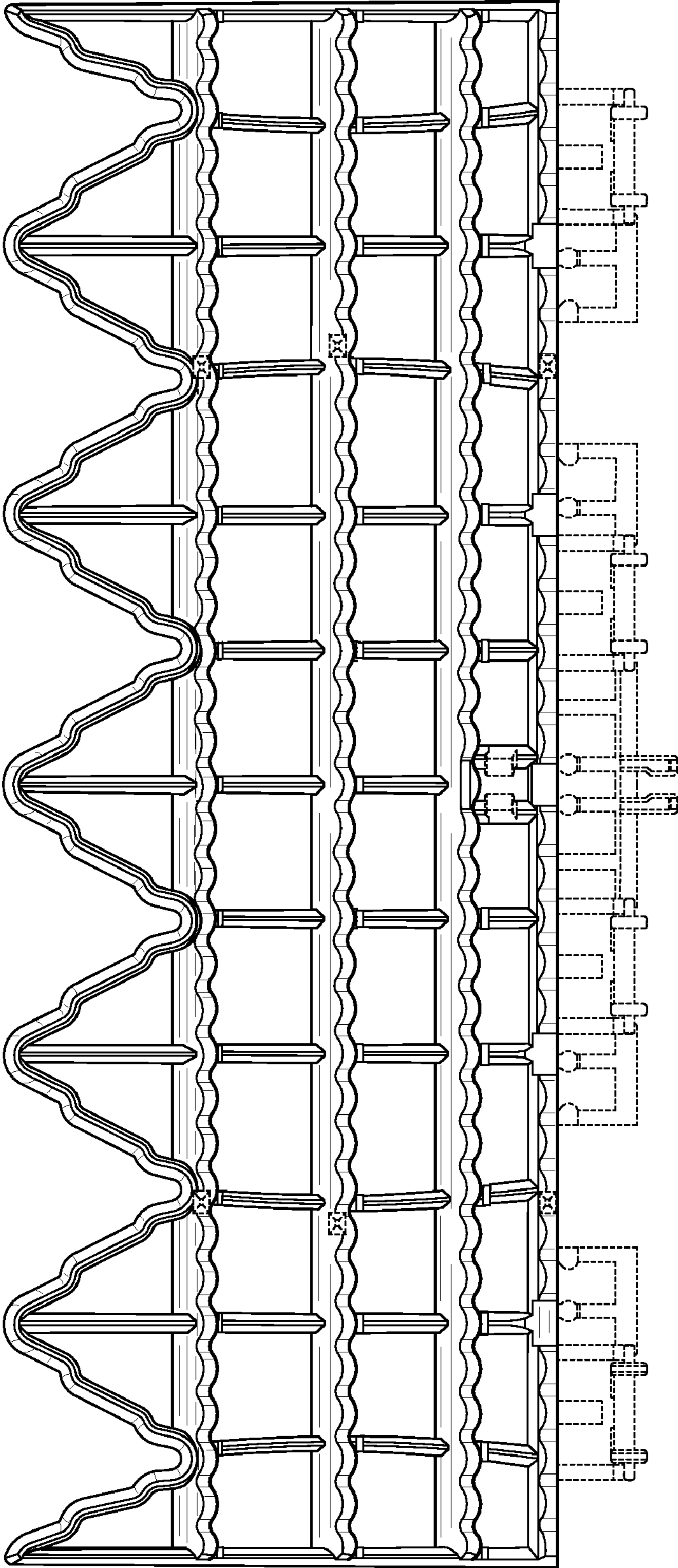


FIG. 2

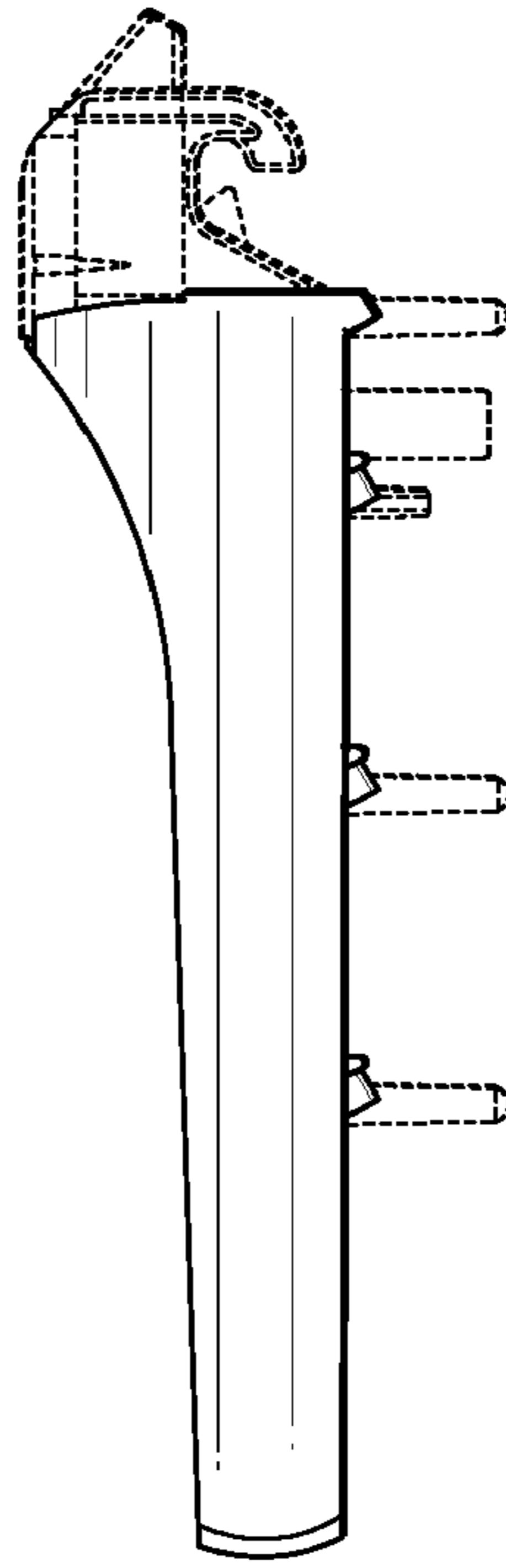


FIG. 3

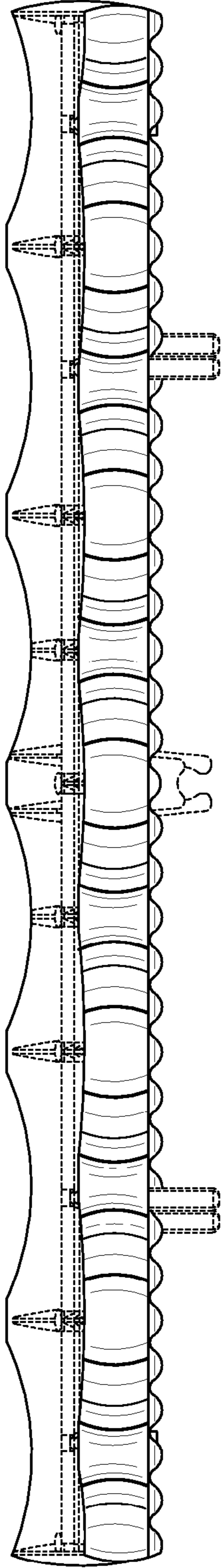


FIG. 4

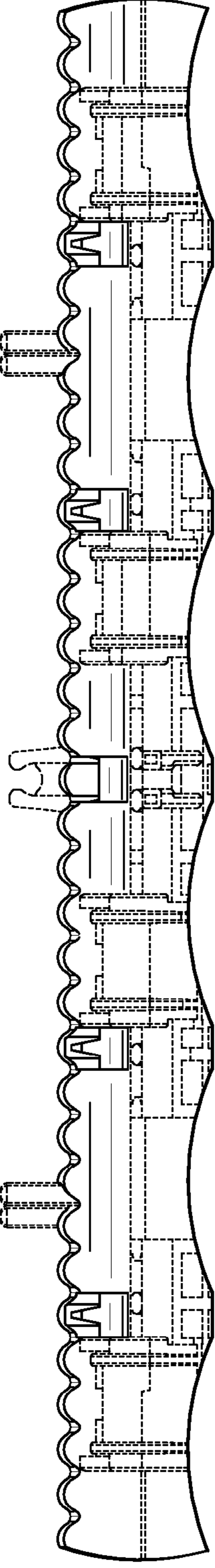


FIG. 5

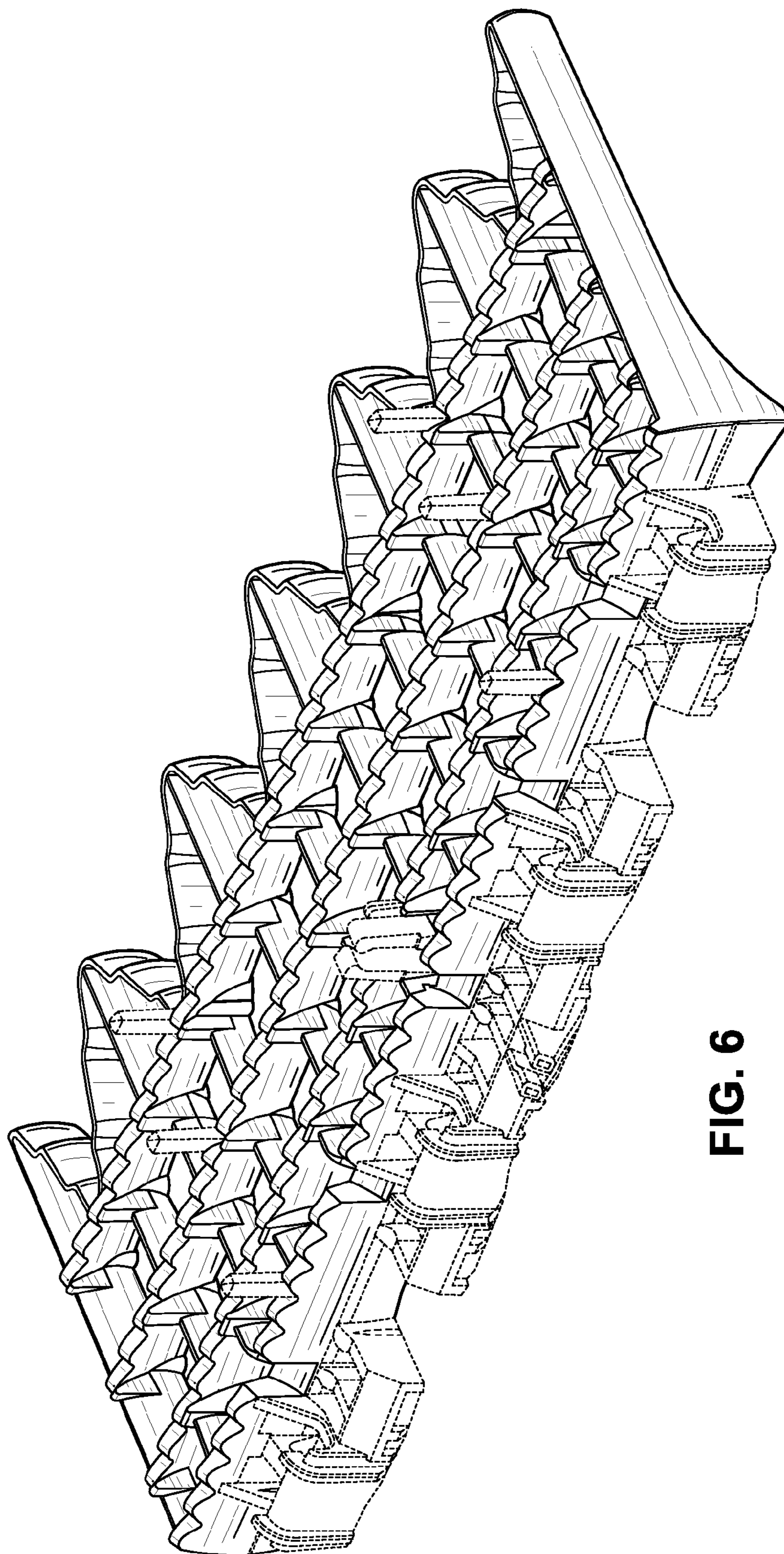


FIG. 6

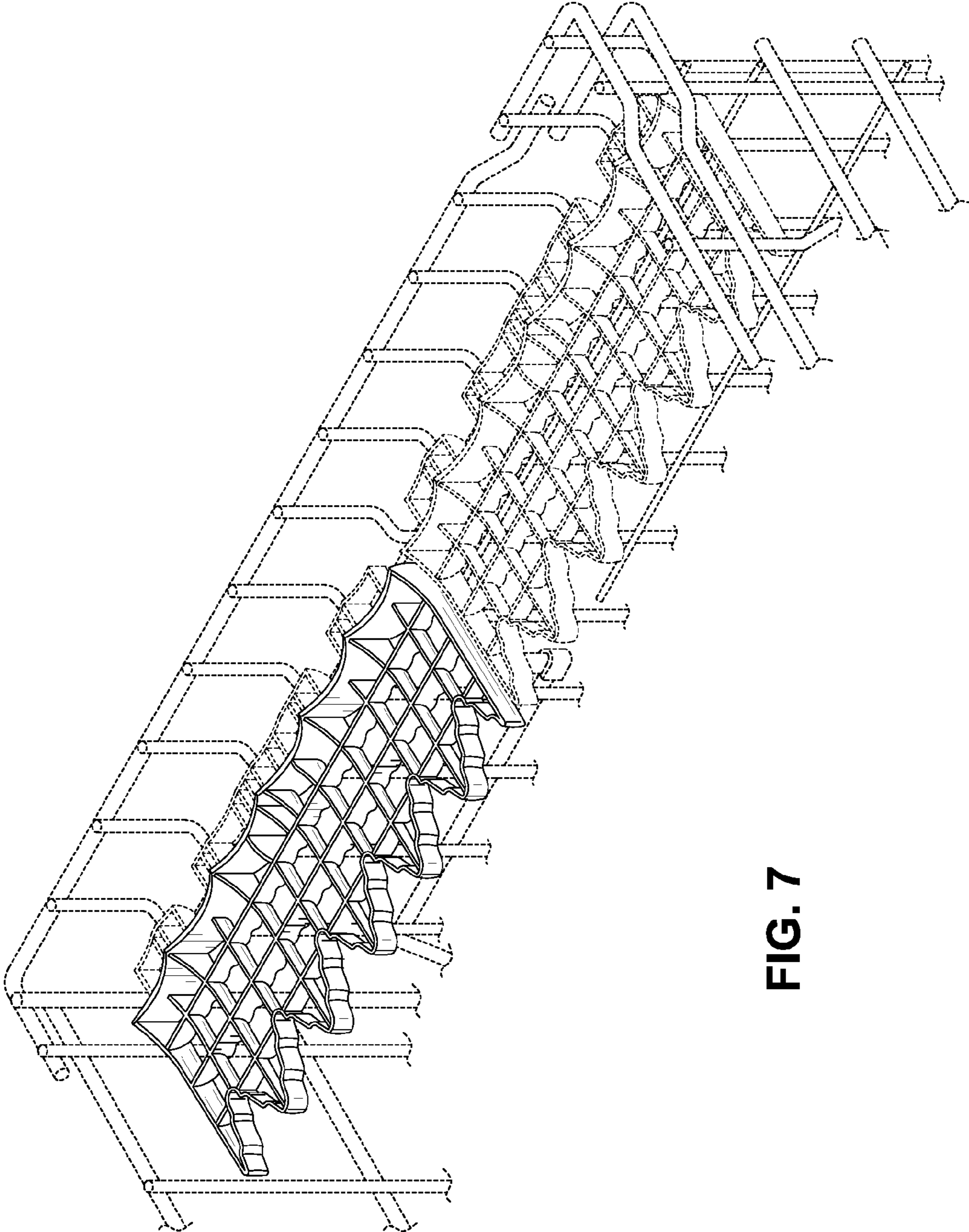


FIG. 7