



US00D640834S

(12) **United States Design Patent**
Chen

(10) **Patent No.:** **US D640,834 S**
(45) **Date of Patent:** **** Jun. 28, 2011**

(54) **COSMETIC COMPACT**

Primary Examiner — Jennifer Rivard

(75) Inventor: **Sung-Tsei Chen**, City of Industry, CA (US)

(57) **CLAIM**
The ornamental design for the cosmetic compact, as shown and described.

(73) Assignee: **Markwins International Corporation**, City of Industry, CA (US)

DESCRIPTION

(**) Term: **14 Years**

FIG. 1 is a perspective view of the cosmetic compact of the present invention, with its partially see-through lid in a closed position;
FIG. 2 is a front view of the cosmetic compact of FIG. 1;
FIG. 3 is a left side view of the cosmetic compact of FIG. 1, the right side view being a mirror image thereof;
FIG. 4 is a top view of the cosmetic compact of FIG. 1;
FIG. 5 is a bottom view of the cosmetic compact of FIG. 1;
FIG. 6 is a rear view of the cosmetic compact of FIG. 1;
FIG. 7 is a perspective view of the cosmetic compact of FIG. 1, with the partially see-through lid removed and turned over; and,
FIG. 8 is an exploded perspective view of the cosmetic compact of FIG. 1, with the structure of artificial eyelash holder removed and the partially see-through lid removed and turned over.

(21) Appl. No.: **29/367,874**

(22) Filed: **Aug. 13, 2010**

(51) **LOC (9) Cl.** **28-03**

(52) **U.S. Cl.** **D28/83**

(58) **Field of Classification Search** 206/823,
206/581; D28/73, 76-84; 132/286-288,
132/293-307, 314-316

See application file for complete search history.

(56) **References Cited**

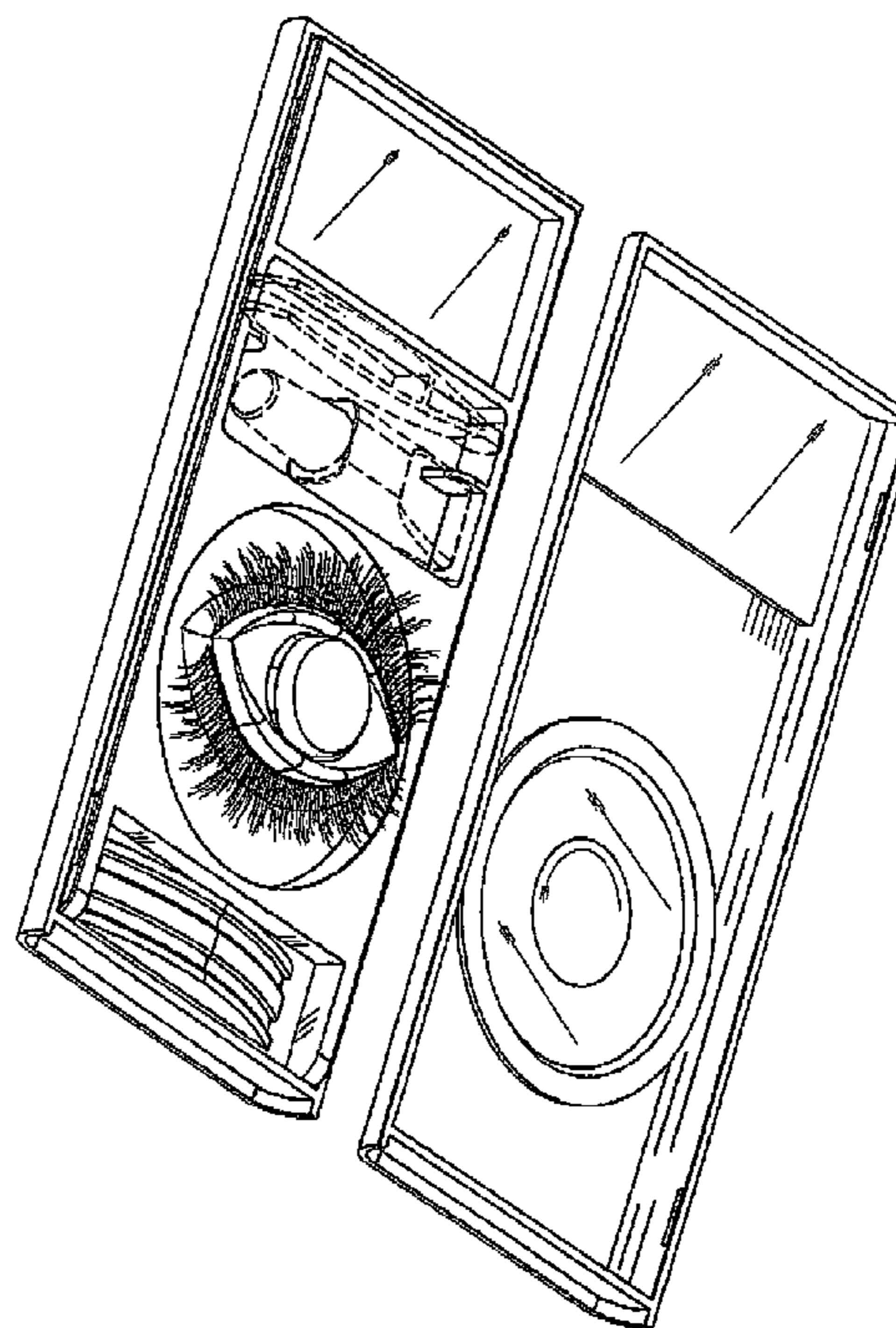
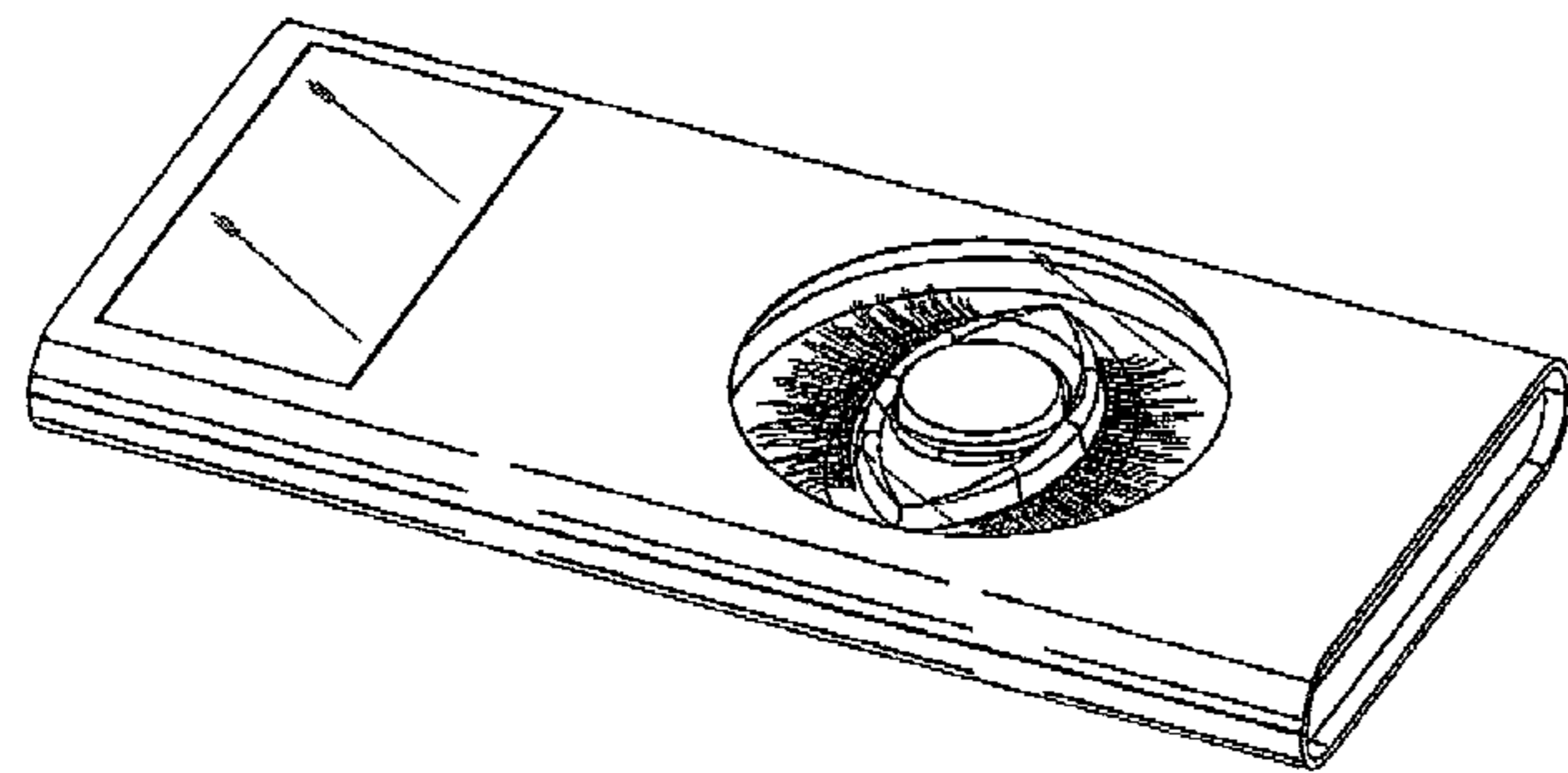
U.S. PATENT DOCUMENTS

3,333,593	A	*	8/1967	McGivern	132/217
D422,753	S	*	4/2000	Einarson	D28/77
D488,263	S	*	4/2004	Thorpe et al.	D28/83
D554,805	S	*	11/2007	Moon	D28/84

* cited by examiner

Details shown in broken lines are for illustrative purposes only, and form no part of the claimed design.

1 Claim, 4 Drawing Sheets



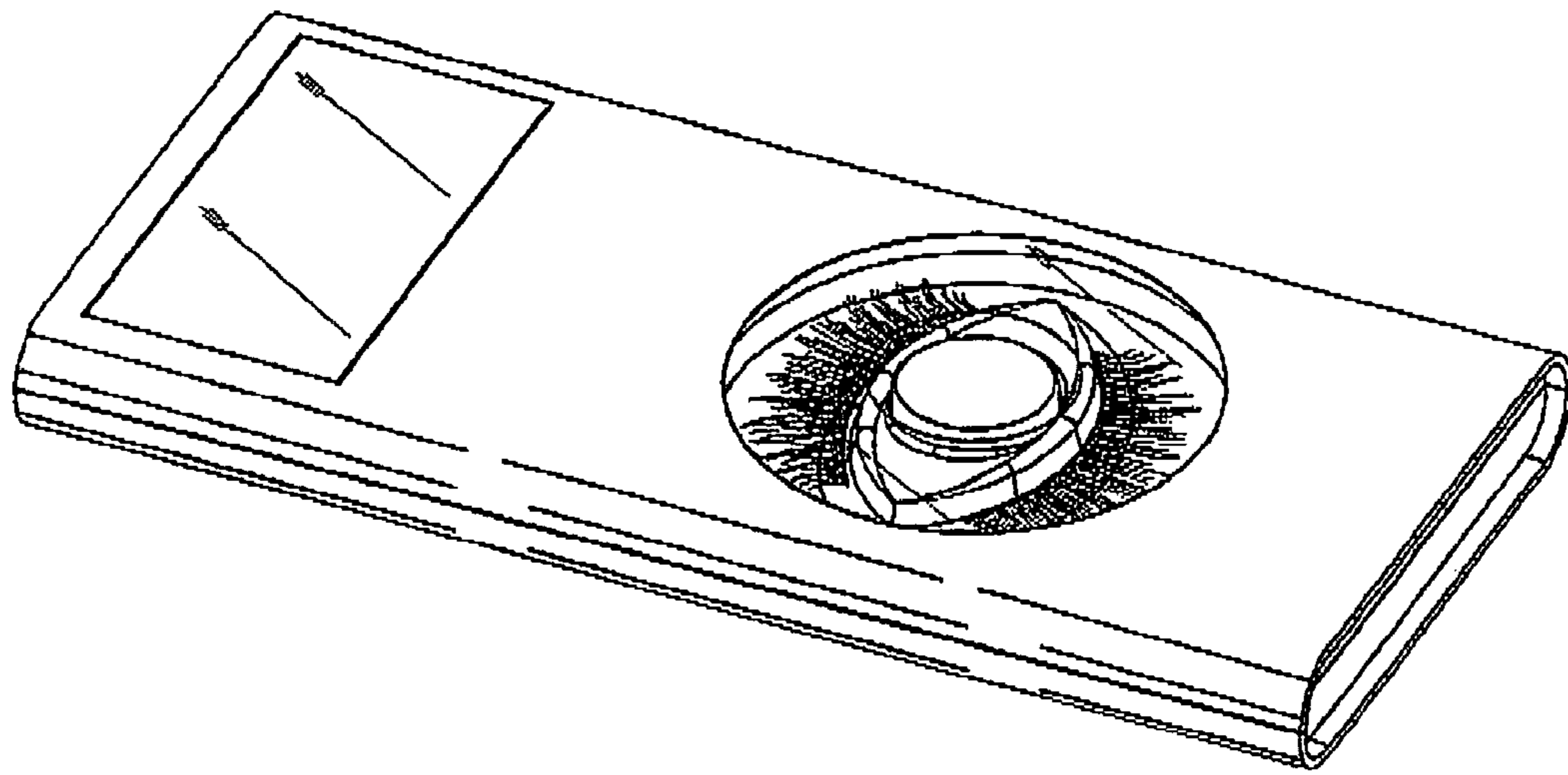


Fig. 1

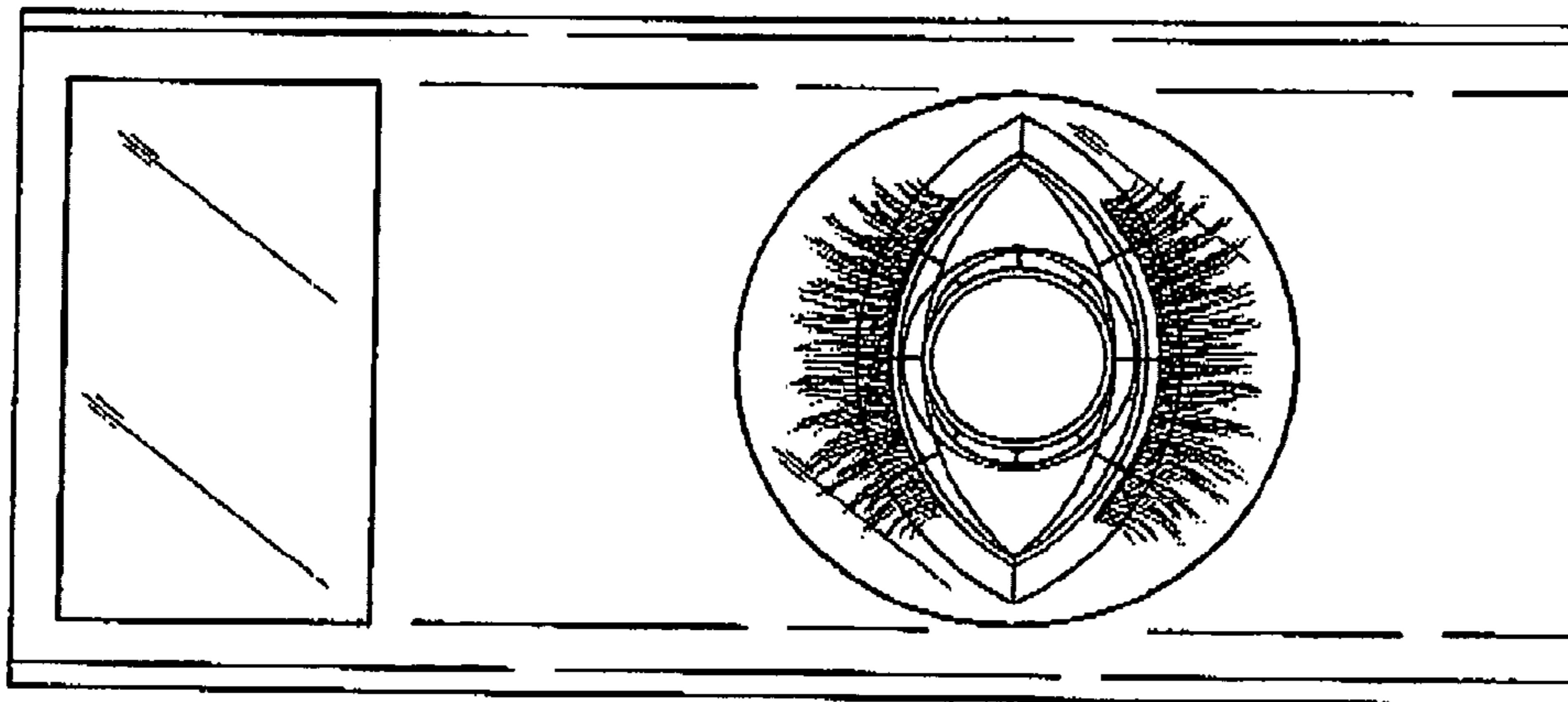


Fig. 2

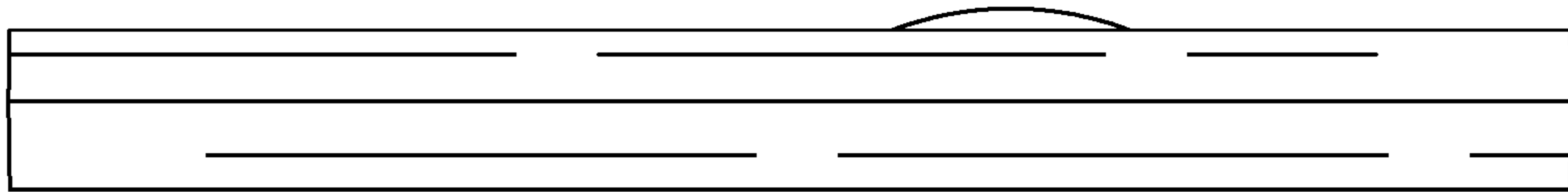


Fig. 3

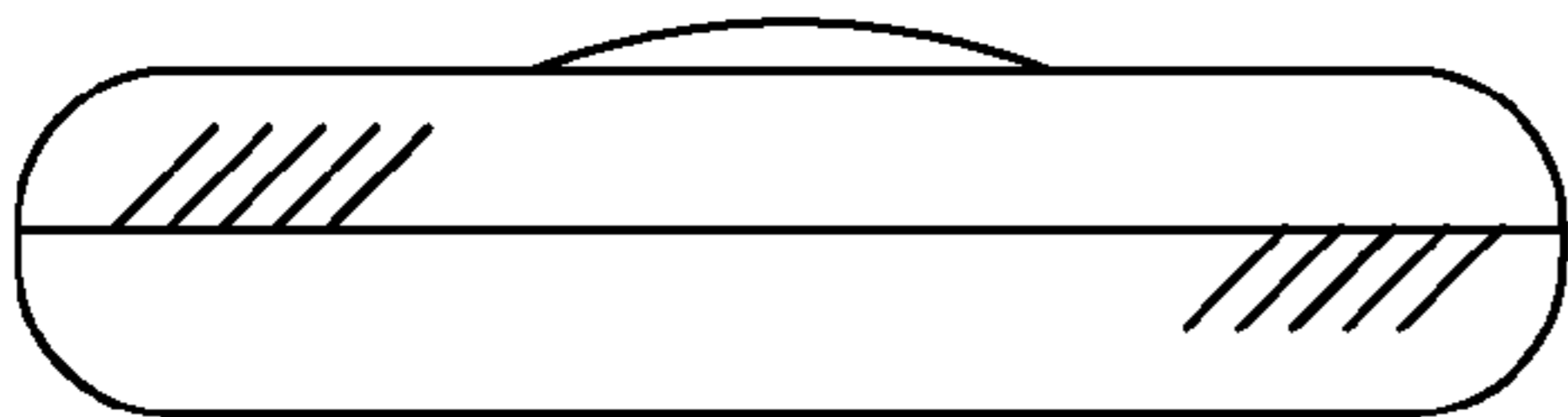


Fig. 4

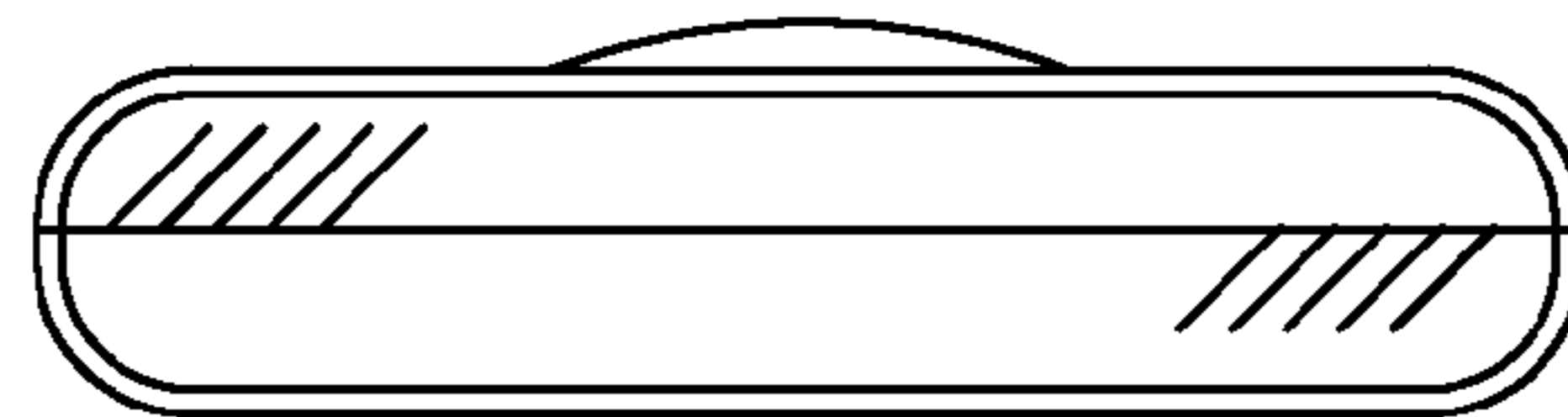


Fig. 5

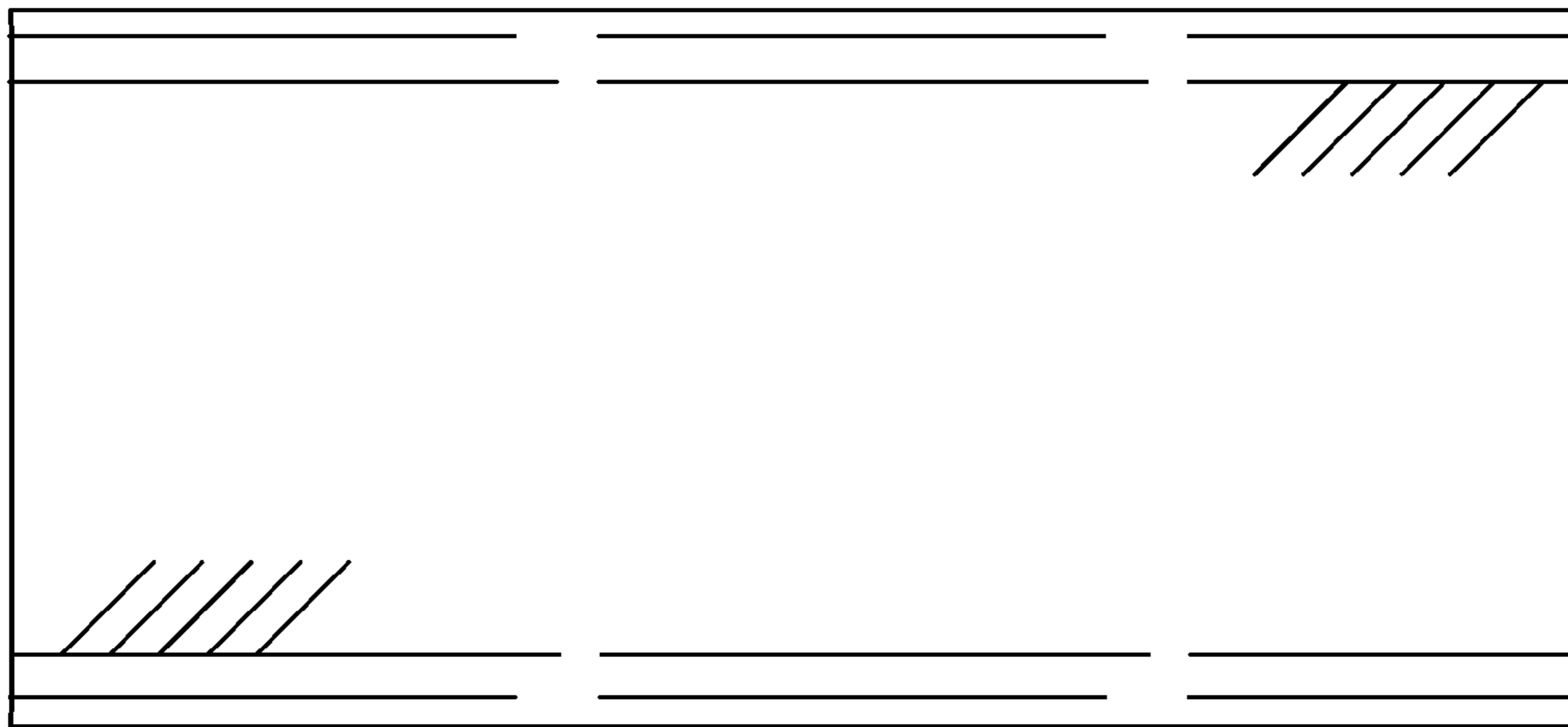


Fig. 6

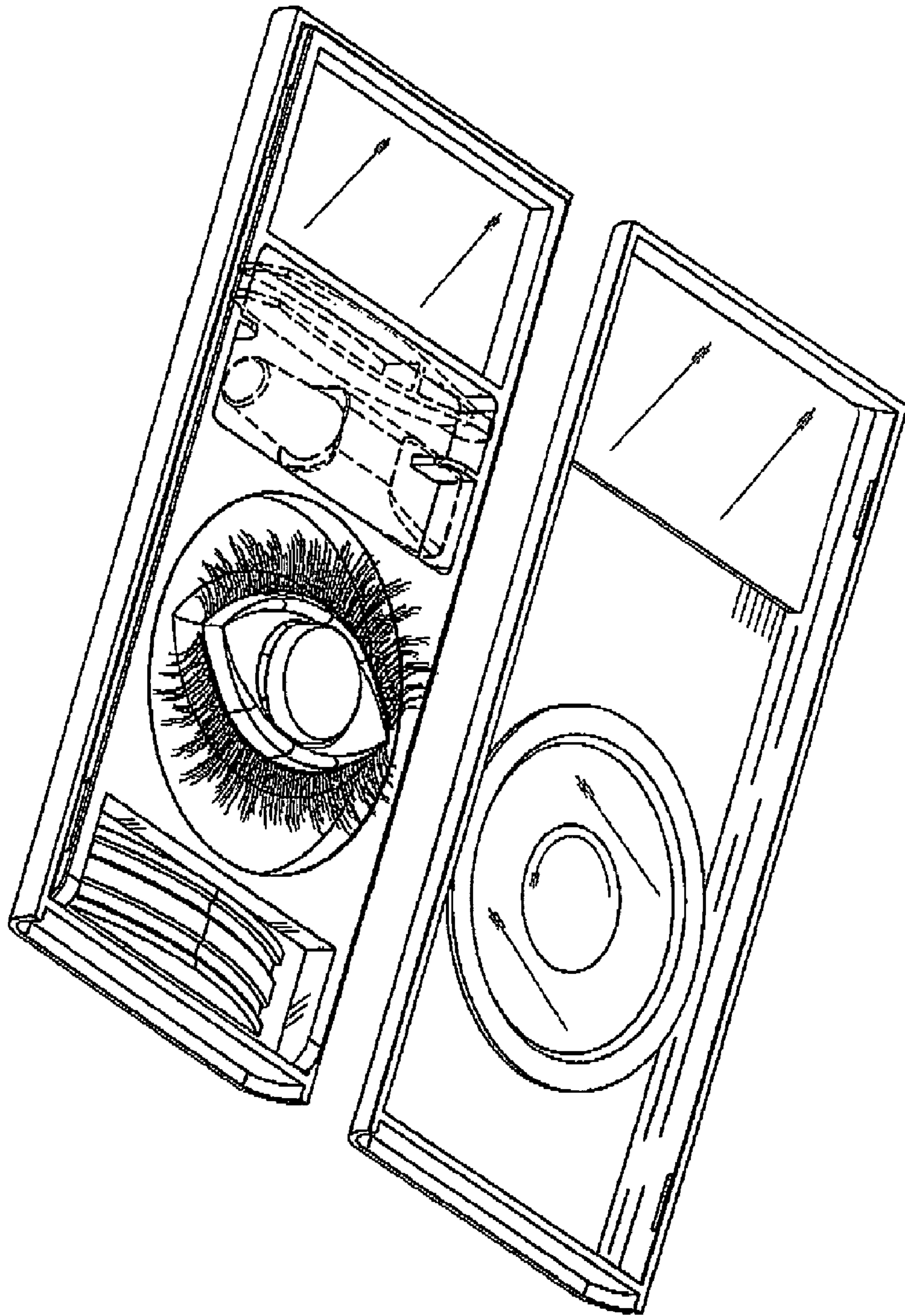


Fig. 7

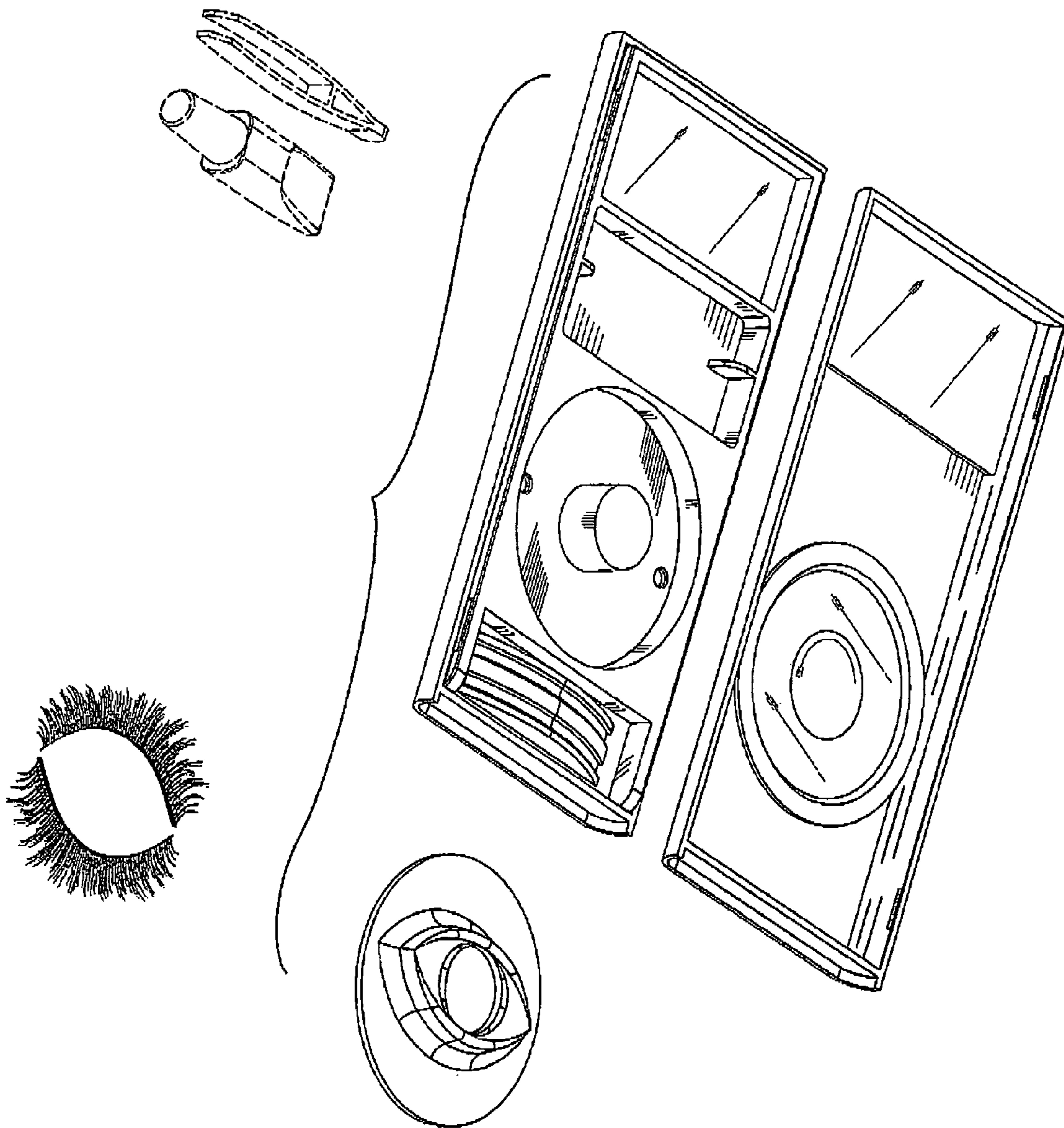


Fig. 8