



US00D640828S

(12) **United States Design Patent**
Spencer

(10) **Patent No.:** **US D640,828 S**

(45) **Date of Patent:** **** Jun. 28, 2011**

(54) **COSMETIC TOOL WITH MULTIPLE MICRO-FIBER COVERED TIPS**

(76) Inventor: **Wyroa Spencer**, Canton, OH (US)

(**) Term: **14 Years**

(21) Appl. No.: **29/368,847**

(22) Filed: **Aug. 31, 2010**

(51) **LOC (9) Cl.** **28-02**

(52) **U.S. Cl.** **D28/7**

(58) **Field of Classification Search** D28/7,
D28/8, 20-22, 30-31, 76, 85, 99; 132/108,
132/202, 208, 317, 320; 401/202-207, 261-267;
D24/119; D32/40

See application file for complete search history.

D421,302 S	2/2000	Korteweg	
D456,909 S *	5/2002	Szabo	D24/214
D464,429 S	10/2002	Martin et al.	
D503,229 S *	3/2005	Davis et al.	D24/119
D507,074 S *	7/2005	Smulovitz	D28/7
D545,499 S	6/2007	Xu	
D632,011 S *	2/2011	Limongi	D28/7
D632,012 S *	2/2011	Limongi	D28/7
2002/0171630 A1	11/2002	Peacemaker	

* cited by examiner

Primary Examiner — Zenia Bennett

(57) **CLAIM**

The ornamental design for a cosmetic tool with multiple micro-fiber covered tips, as shown and described.

DESCRIPTION

FIG. 1 is a front view of the cosmetic tool with multiple micro-fiber covered tips.

FIG. 2 is a top view of the claimed design.

FIG. 3 is a bottom view of the claimed design.

FIG. 4 is a right side view of the claimed design.

FIG. 5 is a left side view of the claimed design; and,

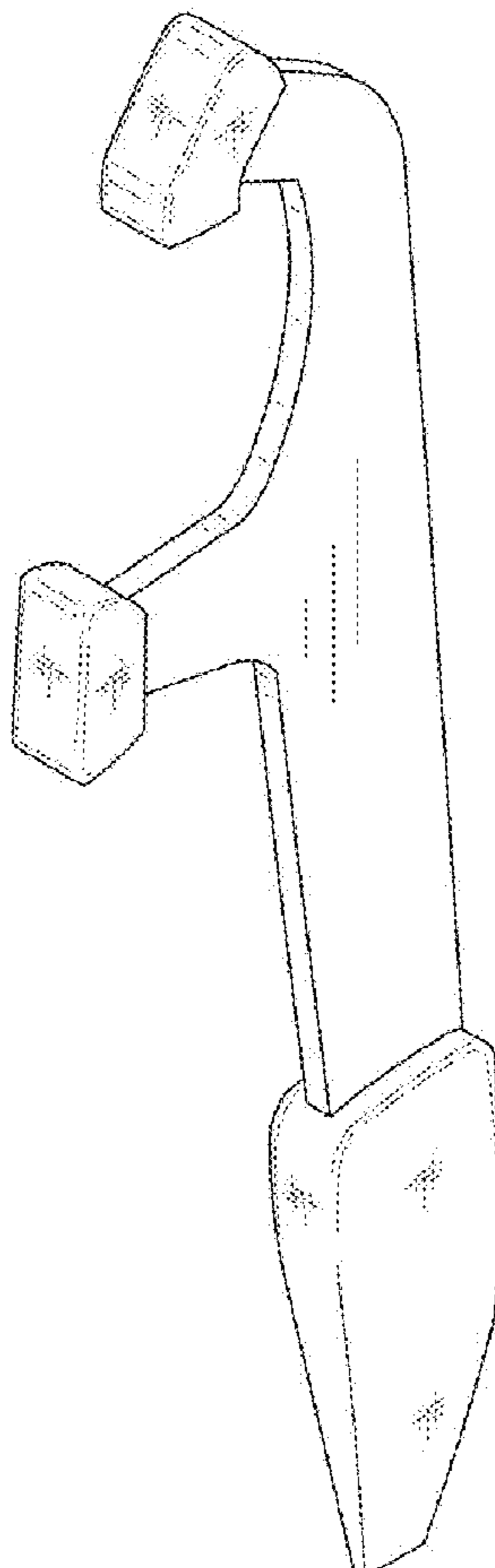
FIG. 6 is an isometric view of the claimed design.

1 Claim, 2 Drawing Sheets

(56) **References Cited**

U.S. PATENT DOCUMENTS

D228,767 S *	10/1973	Anderson	D28/68
D249,364 S	9/1978	Julius	
D272,661 S	2/1984	Cutler	
D304,094 S *	10/1989	Bennett	D28/7
D318,730 S	7/1991	Schiavo	
D362,940 S	10/1995	Johnson	
D367,204 S *	2/1996	Hook	D7/397
D418,246 S *	12/1999	Turri	D28/7



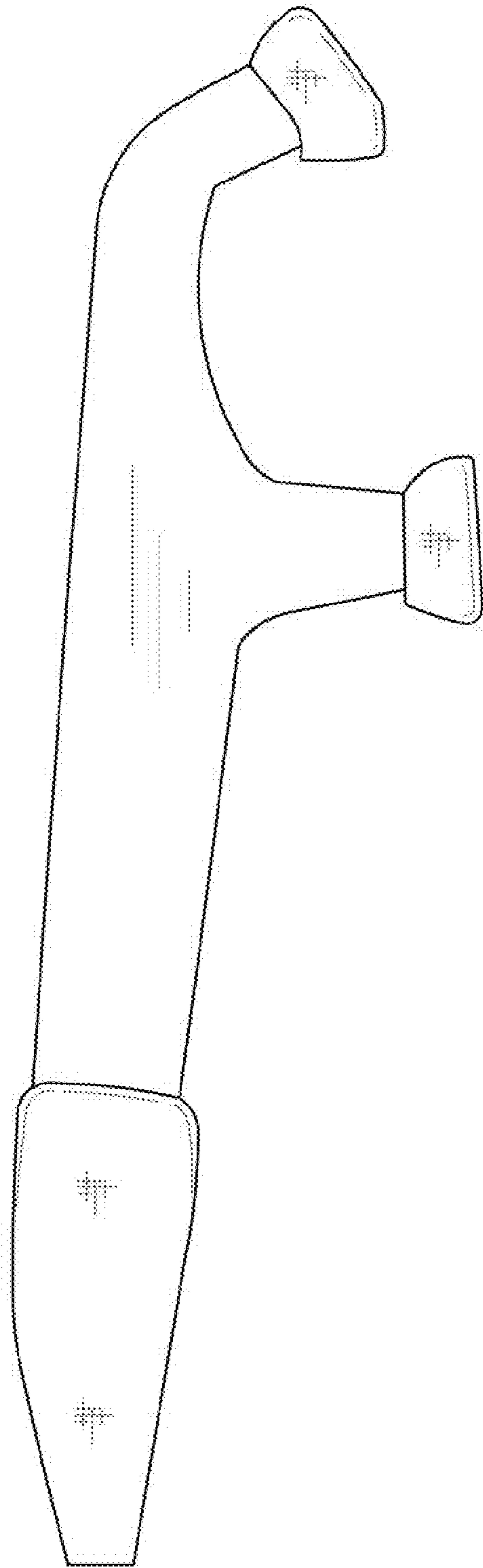


FIG. 1

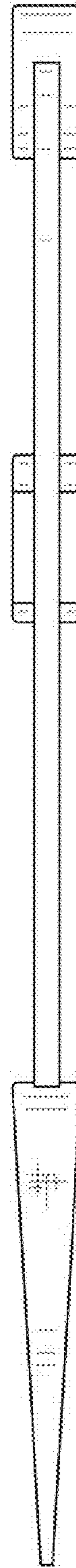


FIG. 2

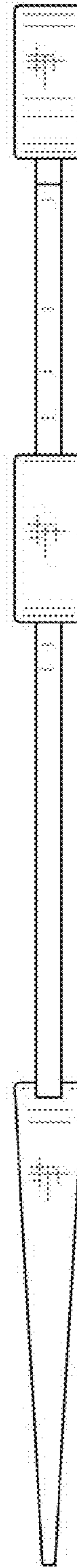


FIG. 3

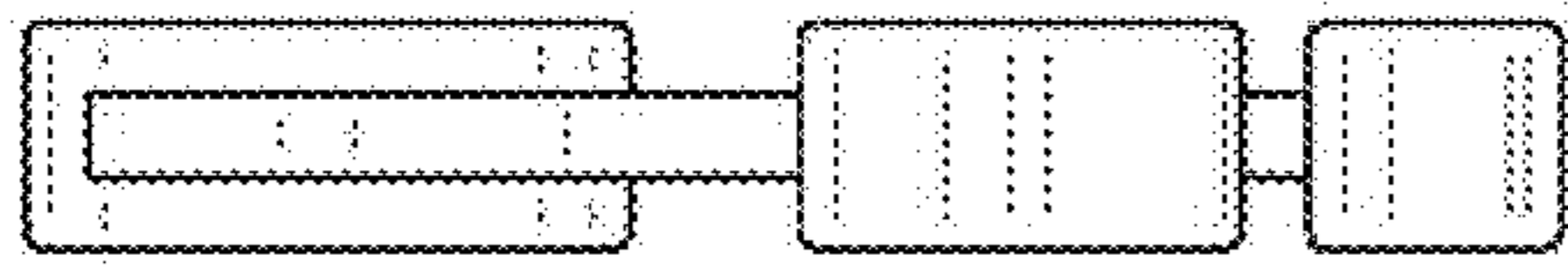


FIG. 4

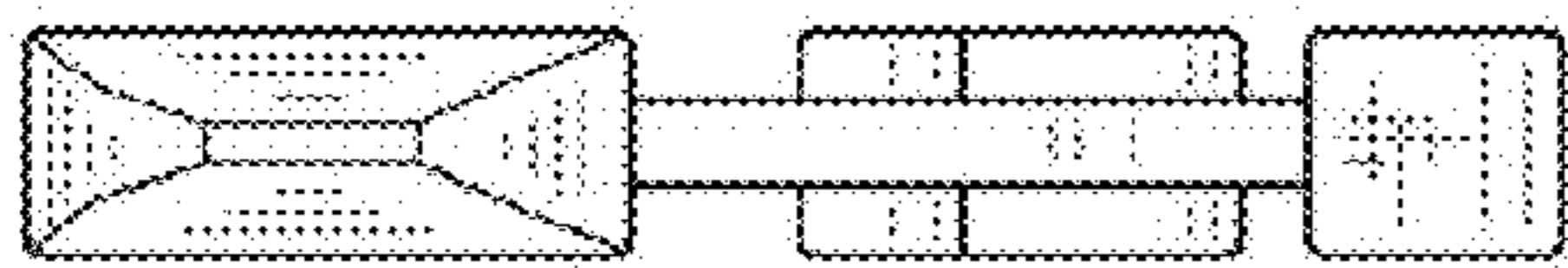


FIG. 5

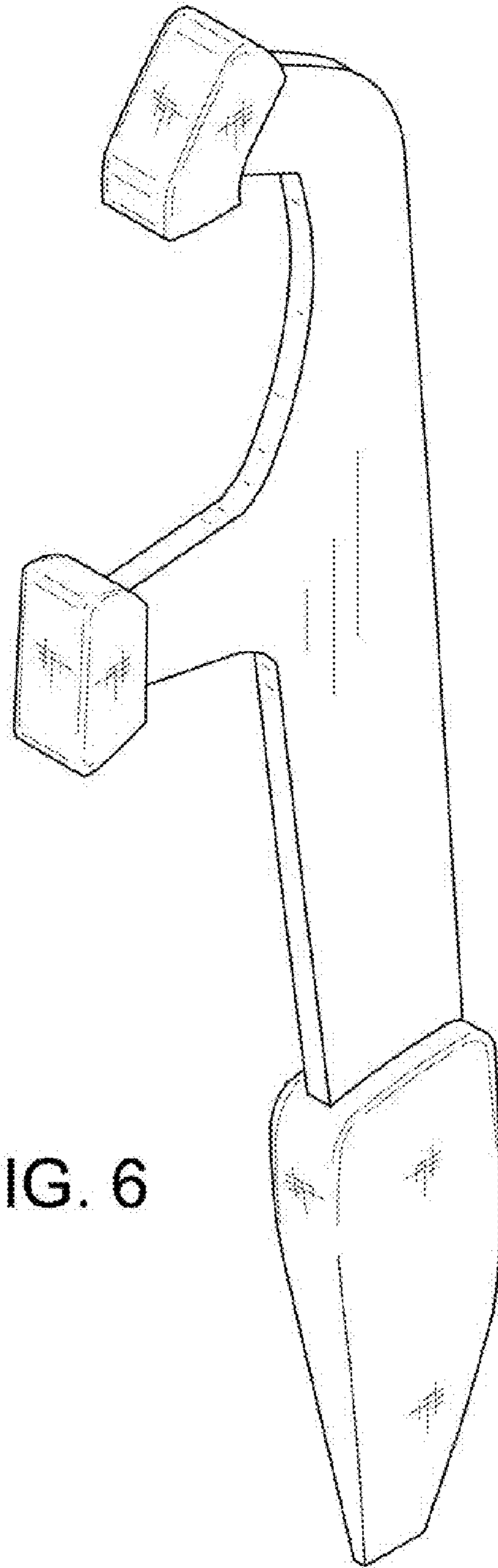


FIG. 6